



US00D775285S

(12) **United States Design Patent**  
**Irwin et al.**

(10) **Patent No.:** **US D775,285 S**

(45) **Date of Patent:** **\*\* Dec. 27, 2016**

(54) **RISER FOR AN EXERCISE PLATFORM**

(71) Applicant: **Step Fitness & Recreation, Inc.**,  
Marietta, GA (US)

(72) Inventors: **Lyle Ray Irwin**, Woodstock, GA (US);  
**Bradley Workman**, Snellville, GA  
(US); **Sam Crosby**, Lilburn, GA (US)

(73) Assignee: **STEP FITNESS & RECREATION,**  
**INC.**, Marietta, GA (US)

(\*\*) Term: **14 Years**

(21) Appl. No.: **29/514,069**

(22) Filed: **Jan. 8, 2015**

(51) **LOC (10) Cl.** ..... **21-02**

(52) **U.S. Cl.**  
USPC ..... **D21/671**

(58) **Field of Classification Search**  
USPC ..... D21/797, 694, 671, 686, 698, 699, 680,  
D21/685, 692, 662, 687, 689, 318, 688,  
D21/412, 333, 683, 798; D19/37, 64, 59;  
D8/330, 1, 16; D14/417, 49; 15/104.93,  
15/105, 118, 229.11, 208; D25/139, 155,  
D25/62, 65; D6/349, 582, 592, 335, 350,  
D6/583, 588, 585; 269/289 R, 13, 15, 14;  
206/501, 514, 4.27, 8; 156/250, 256,  
156/272.8, 308.2, 330, 60, 213; D7/698,  
D7/699, 629, 388; D24/190, 191,  
D24/192, 167; 482/142, 52, 51, 30, 74,  
482/91, 140, 25, 94  
CPC ..... A63B 22/001; A63B 22/0664; A63B  
23/0211; A63B 21/225; A63B 2022/067;  
A63B 2208/0204; A63B 22/203  
See application file for complete search history.

(56) **References Cited**

**U.S. PATENT DOCUMENTS**

D131,473 S \* 3/1942 Thelander ..... 297/462  
4,950,033 A \* 8/1990 Anderson ..... A47C 3/04  
182/33

D325,087 S \* 3/1992 Brinker ..... D24/190  
D330,057 S \* 10/1992 Saunders ..... D21/671  
D330,235 S \* 10/1992 Traetta ..... D21/671  
5,154,678 A \* 10/1992 Adamczyk ..... A63B 23/0458  
108/90  
5,158,512 A \* 10/1992 Irwin ..... A63B 23/0458  
482/142  
D337,362 S \* 7/1993 Goldstein ..... D21/671  
D339,179 S \* 9/1993 Wilkinson ..... D21/671  
D342,298 S \* 12/1993 Schnabel, Jr. .... D21/671  
D346,621 S \* 5/1994 Dial ..... D19/59  
D349,540 S \* 8/1994 Hand ..... D21/671  
D353,636 S \* 12/1994 Le Roux ..... D21/671  
D360,767 S \* 8/1995 Fish ..... D21/671

(Continued)

*Primary Examiner* — Robert M Spear

*Assistant Examiner* — Ryan Harvey

(74) *Attorney, Agent, or Firm* — Troutman Sanders LLP;  
Ryan A. Schneider; Alexis N. Simpson

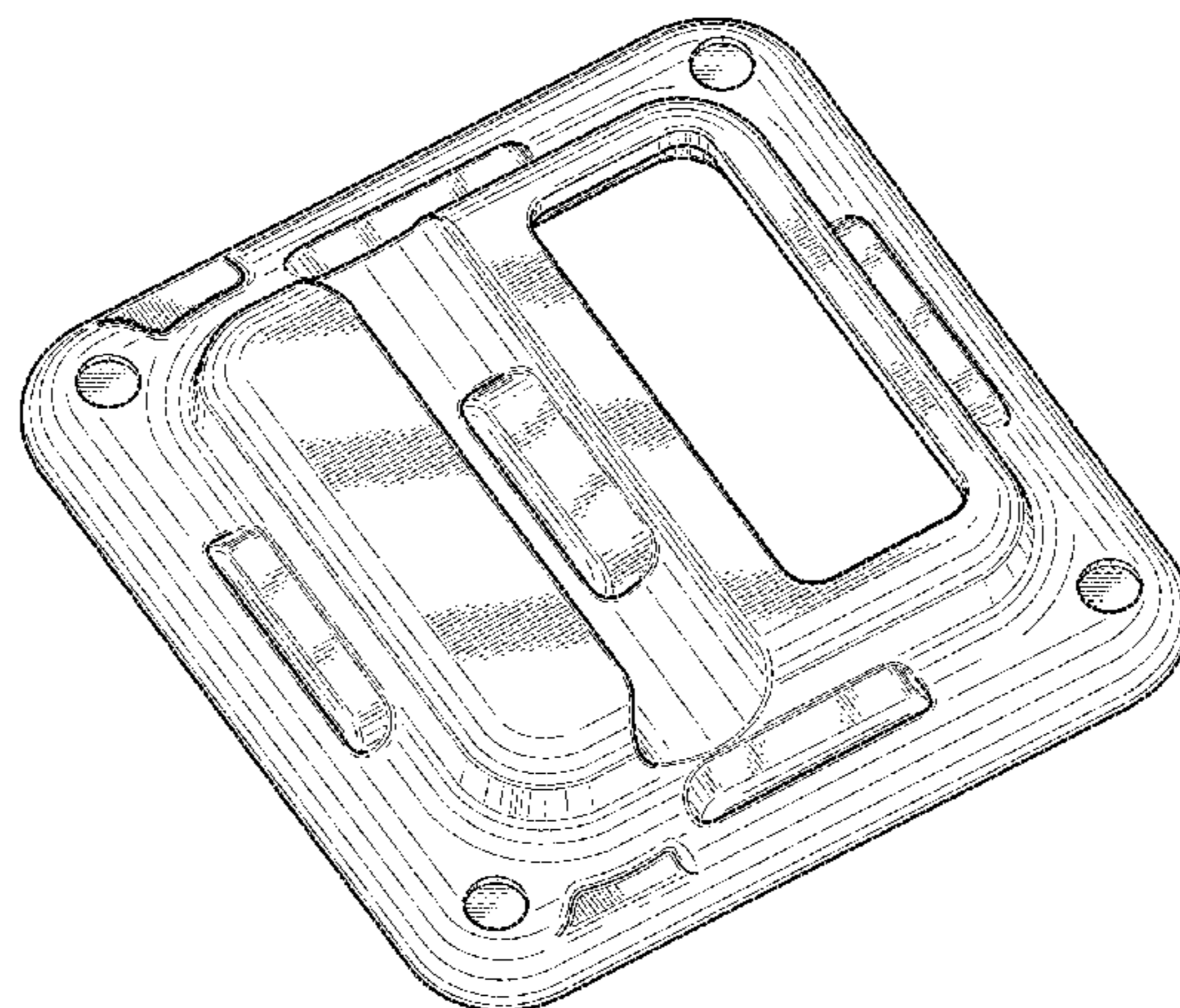
(57) **CLAIM**

The ornamental design for a riser for an exercise platform,  
as shown and described.

**DESCRIPTION**

FIG. 1 is a perspective view of a riser for an exercise  
platform of the present invention;  
FIG. 2 is a front view of the riser for an exercise platform  
of FIG. 1;  
FIG. 3 is a side view of the riser for an exercise platform of  
FIG. 1;  
FIG. 4 is a back view of the riser for an exercise platform of  
FIG. 1;  
FIG. 5 is another side view of the riser for an exercise  
platform of FIG. 1;  
FIG. 6 is a top view of the riser for an exercise platform of  
FIG. 1;  
FIG. 7 is a bottom view of the riser for an exercise platform  
FIG. 1; and,  
FIG. 8 is a side view of the riser for an exercise platform of  
FIG. 1 in use with a workout step.  
The broken lines showing a workout step in FIG. 8 are for  
the purpose of illustrating environment and the broken lines

(Continued)



in FIG. 7 define the bounds of the claimed design; the broken lines form no part of the claimed design.

**1 Claim, 6 Drawing Sheets**

(56)

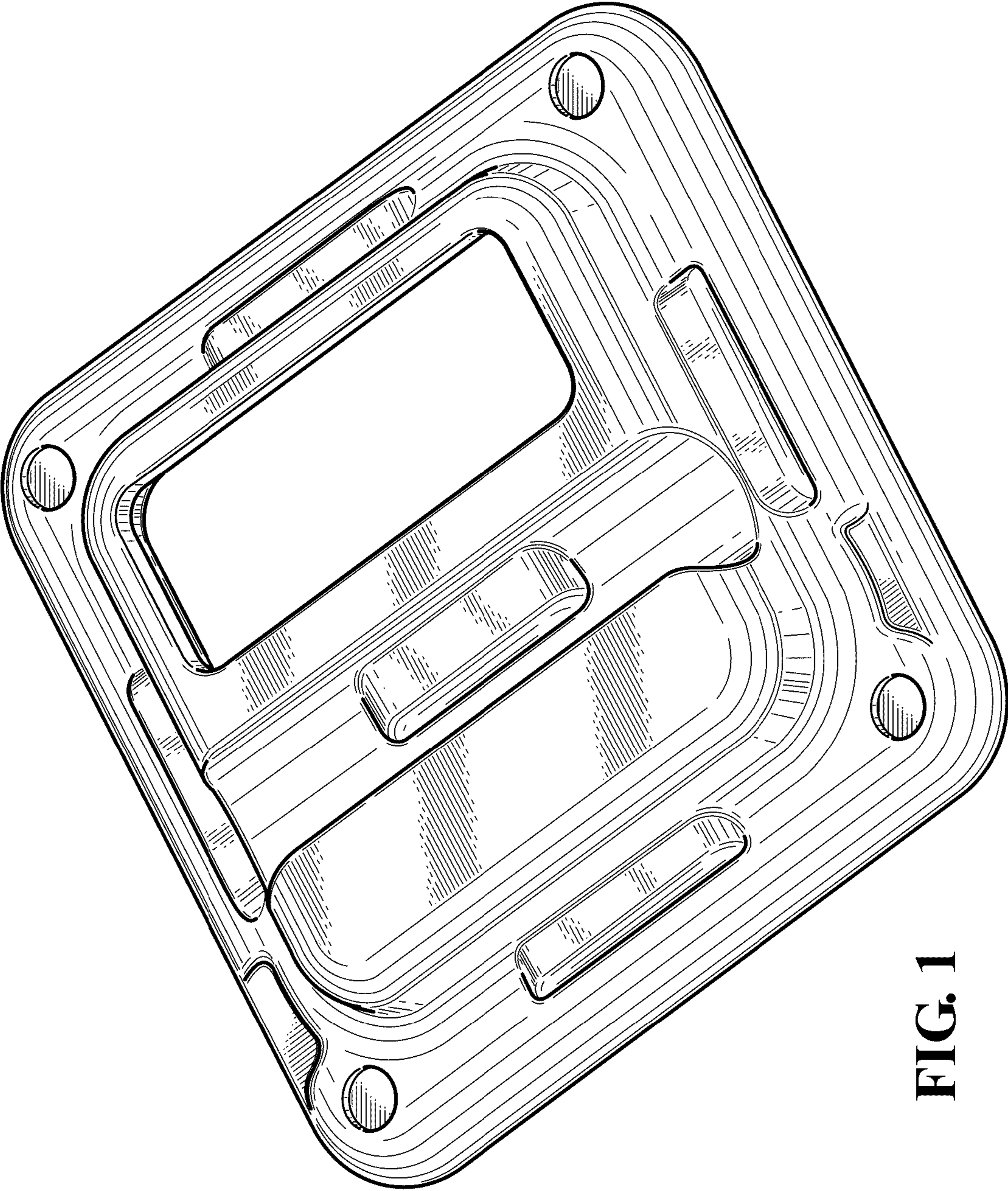
**References Cited**

U.S. PATENT DOCUMENTS

6,117,051 A \* 9/2000 Suarez ..... A63B 21/078  
482/51  
D449,357 S \* 10/2001 Monter Villar ..... D21/671  
D449,662 S \* 10/2001 Monter Villar ..... D21/671  
D551,769 S \* 9/2007 Skwarek ..... D24/186  
D557,757 S \* 12/2007 Van Straaten ..... D21/686  
D557,910 S \* 12/2007 Saunders ..... D6/350  
D560,260 S \* 1/2008 Flentye ..... D21/671  
D565,365 S \* 4/2008 Bizzell ..... D7/698  
D613,871 S \* 4/2010 Choi ..... D24/200  
7,922,624 B1 \* 4/2011 Fairhurst ..... A63B 21/0552  
482/52  
D650,184 S \* 12/2011 Hsu ..... D6/349  
D662,685 S \* 6/2012 Parker ..... D99/1

8,348,812 B2 \* 1/2013 Elpers ..... A63B 23/0458  
482/142  
D677,892 S \* 3/2013 Van Ness ..... D3/294  
D681,750 S \* 5/2013 Meyer-Hayoz ..... D21/686  
D690,566 S \* 10/2013 Bernheim ..... D7/698  
D694,593 S \* 12/2013 Shofet ..... D7/698  
D717,444 S \* 11/2014 Pastrick ..... D24/167  
D737,908 S \* 9/2015 Kubitz ..... D21/686  
D737,909 S \* 9/2015 Kubitz ..... D21/686  
2006/0189448 A1 \* 8/2006 Flentye ..... A63B 23/0458  
482/52  
2006/0189449 A1 \* 8/2006 Flentye ..... A63B 23/0458  
482/52  
2007/0108686 A1 \* 5/2007 Casale ..... A47J 47/005  
269/289 R  
2008/0179803 A1 \* 7/2008 Shew ..... A47J 17/02  
269/13  
2013/0049275 A1 \* 2/2013 Morgan ..... A47J 47/005  
269/14  
2013/0256963 A1 \* 10/2013 Shofet ..... A47J 47/005  
269/13  
2014/0087930 A1 \* 3/2014 Burns ..... A63B 23/02  
482/142  
2014/0311361 A1 \* 10/2014 Wangler ..... A47J 47/005  
99/472

\* cited by examiner



**FIG. 1**

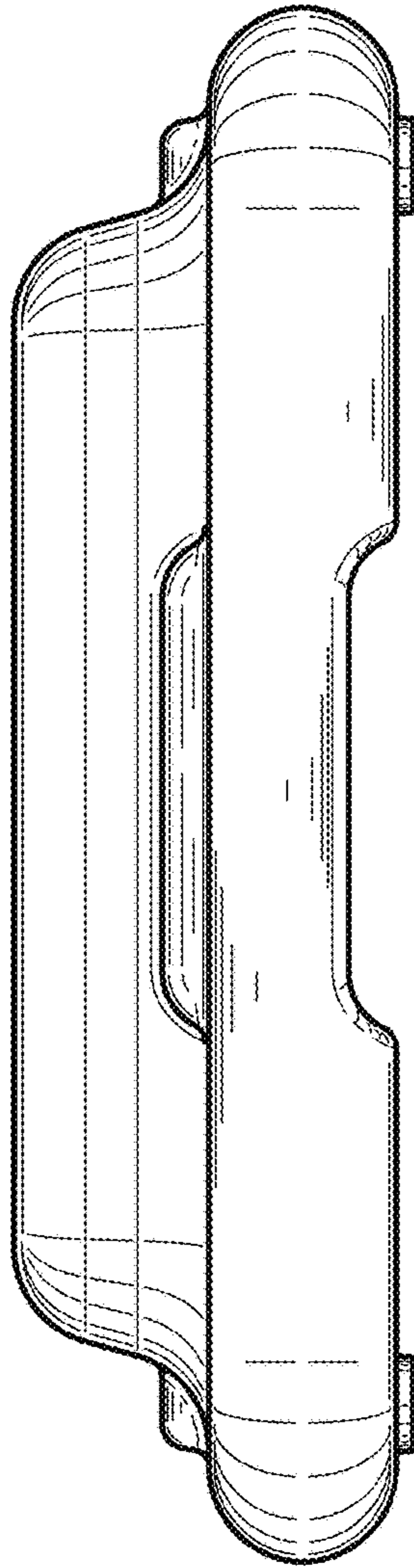


FIG. 2

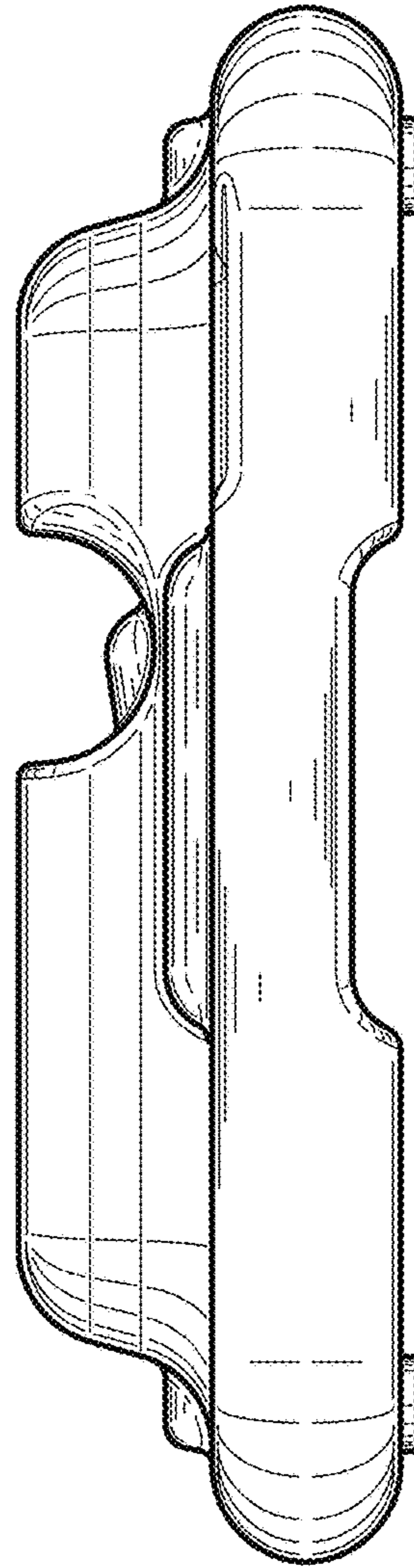


FIG. 3

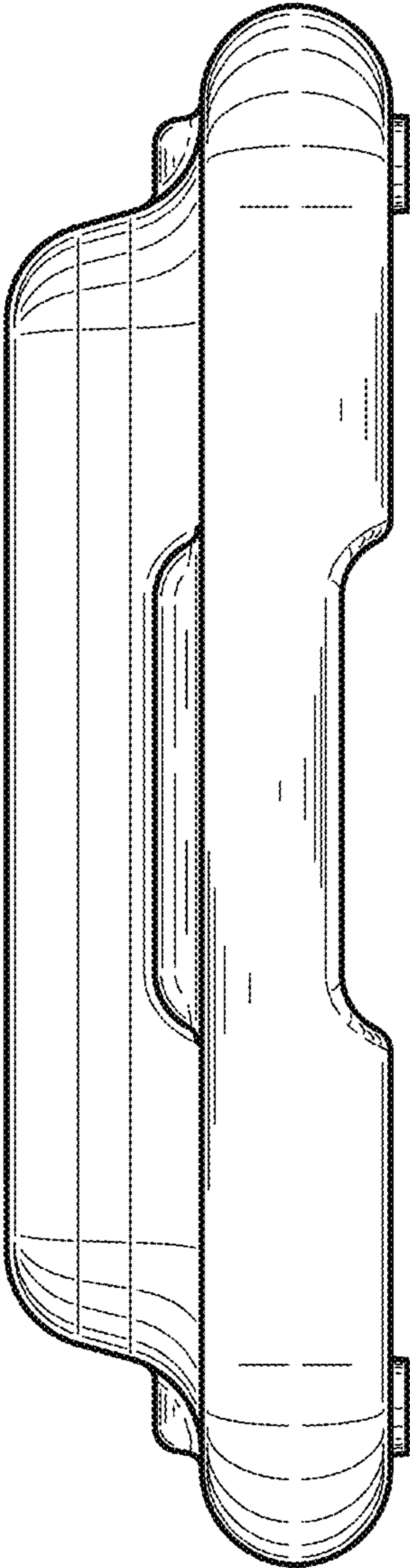


FIG. 4

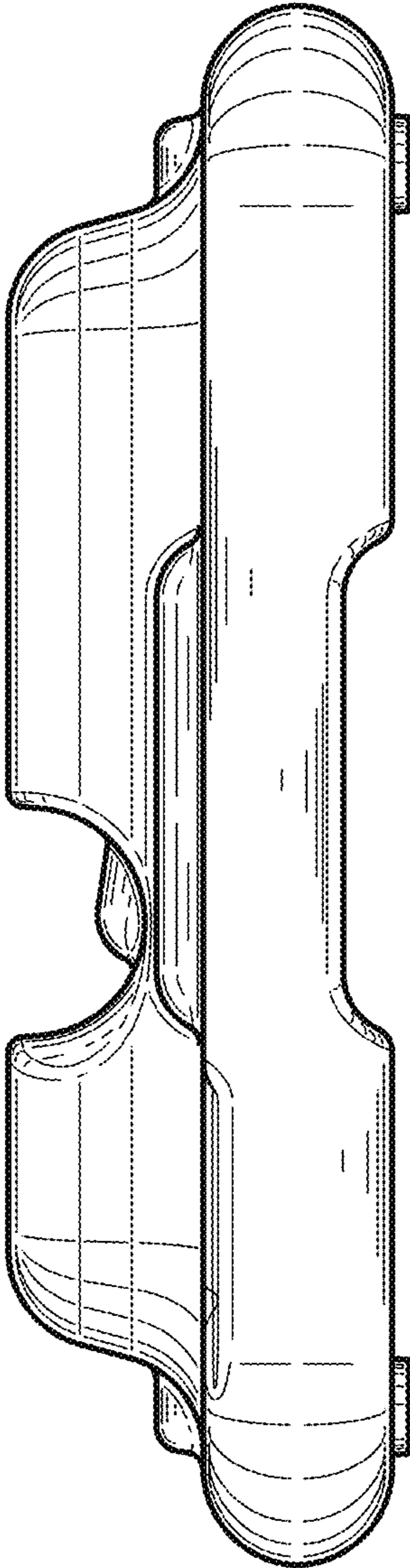


FIG. 5

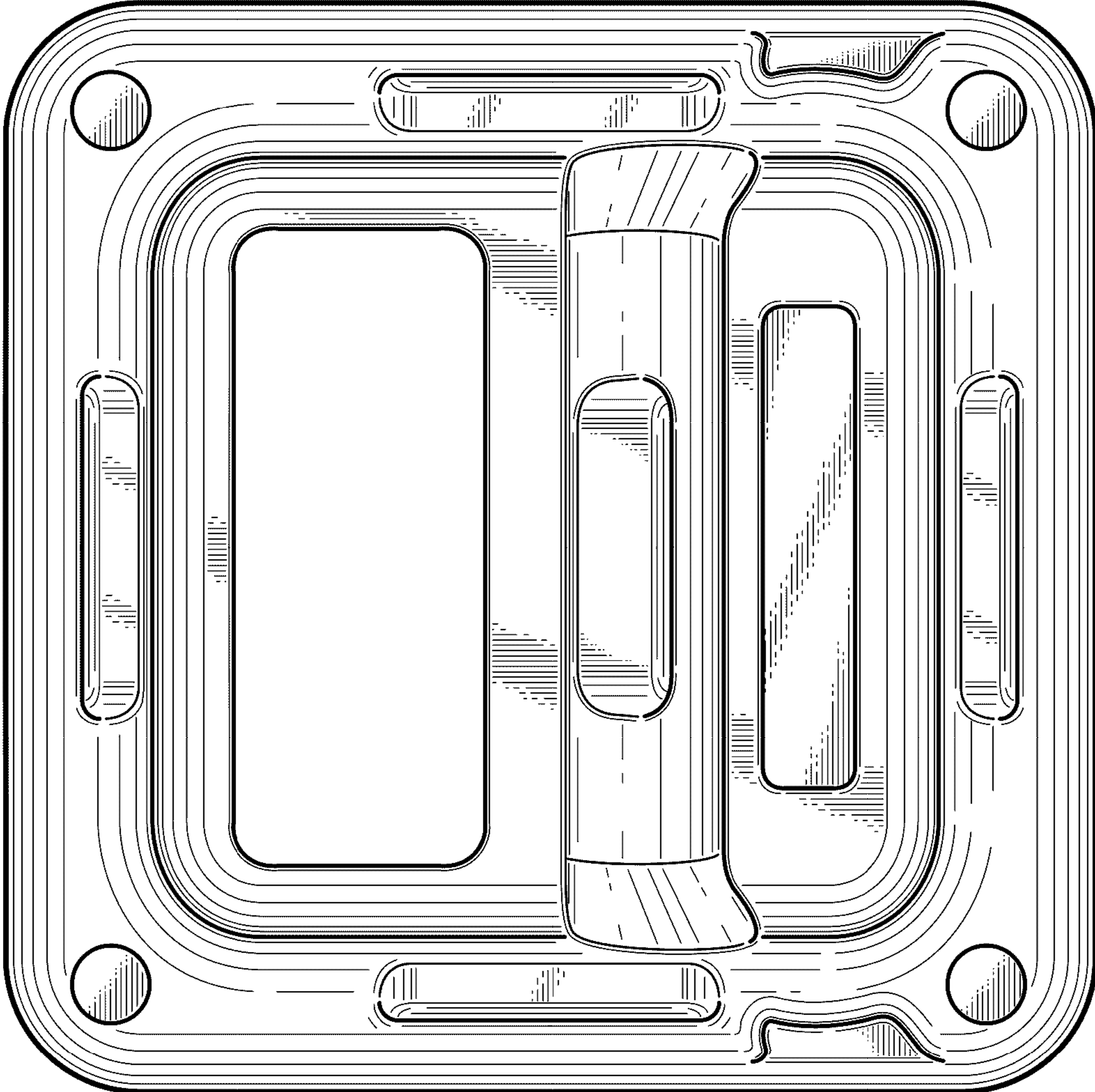
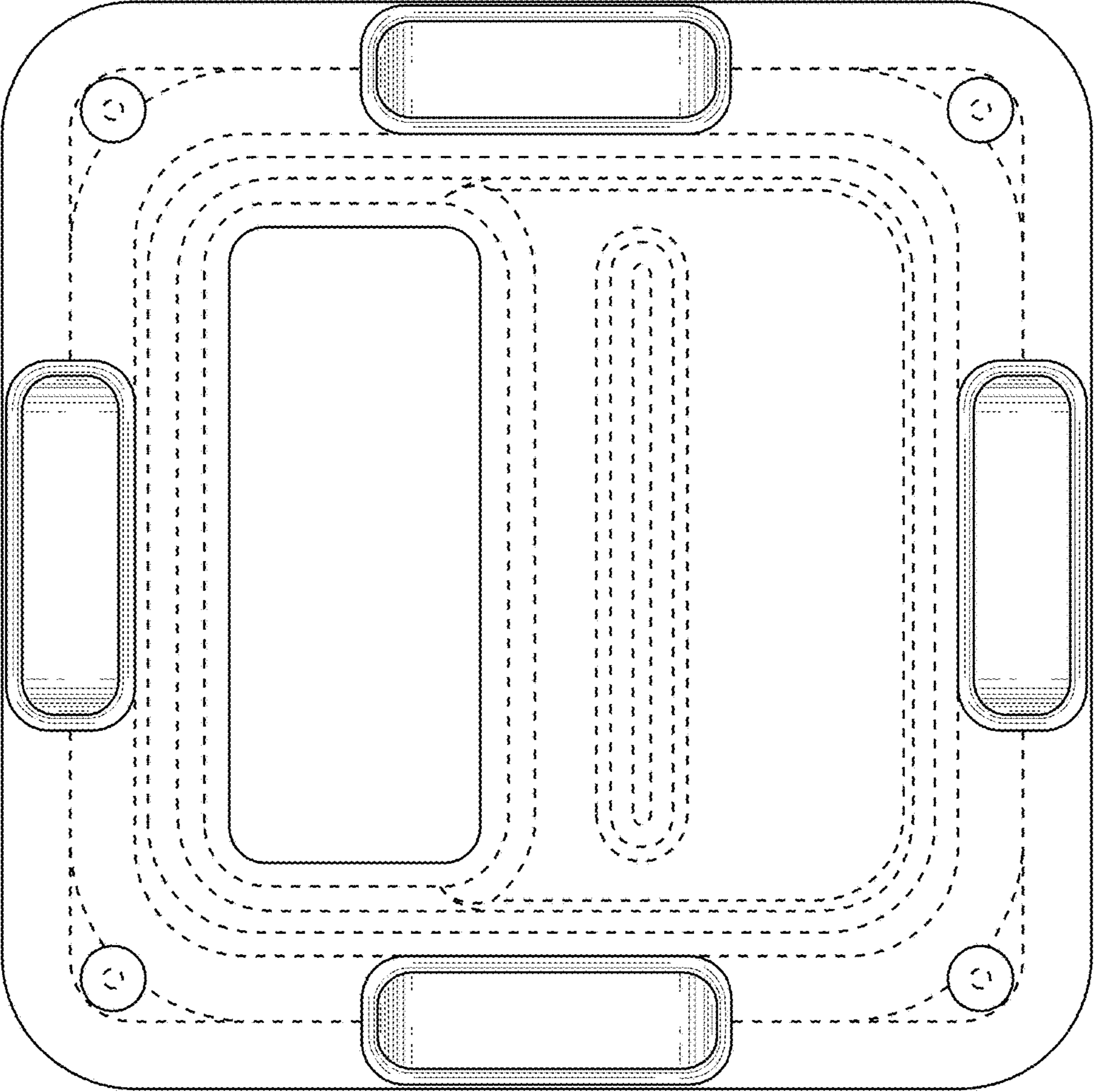
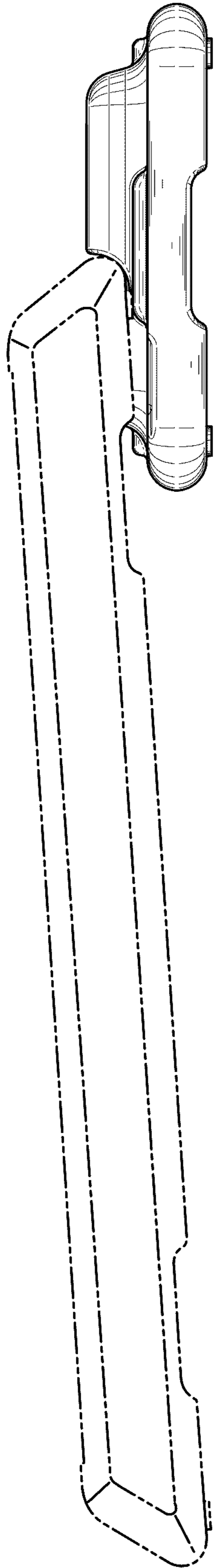


FIG. 6



**FIG. 7**



**FIG. 8**