

US00D775282S

(12) **United States Design Patent** (10) **Patent No.:** **US D775,282 S**
Williams et al. (45) **Date of Patent:** **** Dec. 27, 2016**

(54) **VEHICLE FRAME WITH SEAT**
(71) Applicants: **Calvin John Llewelyn Williams**,
Swansea (GB); **Paul Howard Davies**,
Ammanford (GB)
(72) Inventors: **Calvin John Llewelyn Williams**,
Swansea (GB); **Paul Howard Davies**,
Ammanford (GB)
(**) Term: **14 Years**
(21) Appl. No.: **29/474,660**
(22) Filed: **Dec. 18, 2014**
(30) **Foreign Application Priority Data**
Jun. 20, 2014 (EM) 002487322
Dec. 9, 2014 (EM) 002593723
(51) **LOC (10) Cl.** **21-01**
(52) **U.S. Cl.**
USPC **D21/426; D12/87**
(58) **Field of Classification Search**
USPC D21/412, 414, 431-435; D12/1, 87, 107,
D12/110-114, 129, 130, 133; 280/87.01,
280/87.021, 87.05, 87.051, 47.17, 47.25,
280/47.34, 47.38, 47.4, 827, 828, 29, 200,
280/263, 266, 267, 270, 282, 288.4, 291,
280/293; 297/5; 482/68
CPC A63G 25/00; B62D 21/183; B62D 39/00;
B60K 7/0007
See application file for complete search history.

(56) **References Cited**
U.S. PATENT DOCUMENTS
3,533,484 A * 10/1970 Wood, Jr. B60K 1/00
15/250.17
D246,198 S * 10/1977 Rose D21/426
D249,496 S * 9/1978 Morgan D12/112
D251,185 S 2/1979 Cummings

D252,714 S * 8/1979 Tidwell D21/426
D276,058 S * 10/1984 Rogers D21/426
D280,916 S * 10/1985 Castle D21/426
5,042,607 A 8/1991 Flakenson et al.
D320,420 S * 10/1991 Dupont D12/88
D320,586 S * 10/1991 Tellinghuisen D12/112
D467,203 S 12/2002 Potter et al.
D500,707 S * 1/2005 Lu D12/87
D503,658 S * 4/2005 Lu D12/87
D549,133 S * 8/2007 LePage D12/87
D563,274 S * 3/2008 Ramos D12/87
D564,410 S * 3/2008 Lepage D12/87
D574,297 S * 8/2008 Carl D12/87
D575,675 S * 8/2008 Williams D12/87
D582,992 S * 12/2008 Alais D21/426
D586,261 S * 2/2009 Burns D12/87
D586,695 S * 2/2009 Burns D12/87
D586,696 S * 2/2009 Burns D12/87
7,823,674 B2 11/2010 Bowles et al.
D651,133 S * 12/2011 Liebl D12/86
8,146,689 B2 4/2012 Hertema
D692,505 S * 10/2013 Jiang D12/112
D692,506 S * 10/2013 Jiang D12/112

(Continued)

Primary Examiner — Darlington Ly
(74) *Attorney, Agent, or Firm* — T. D. Paulius

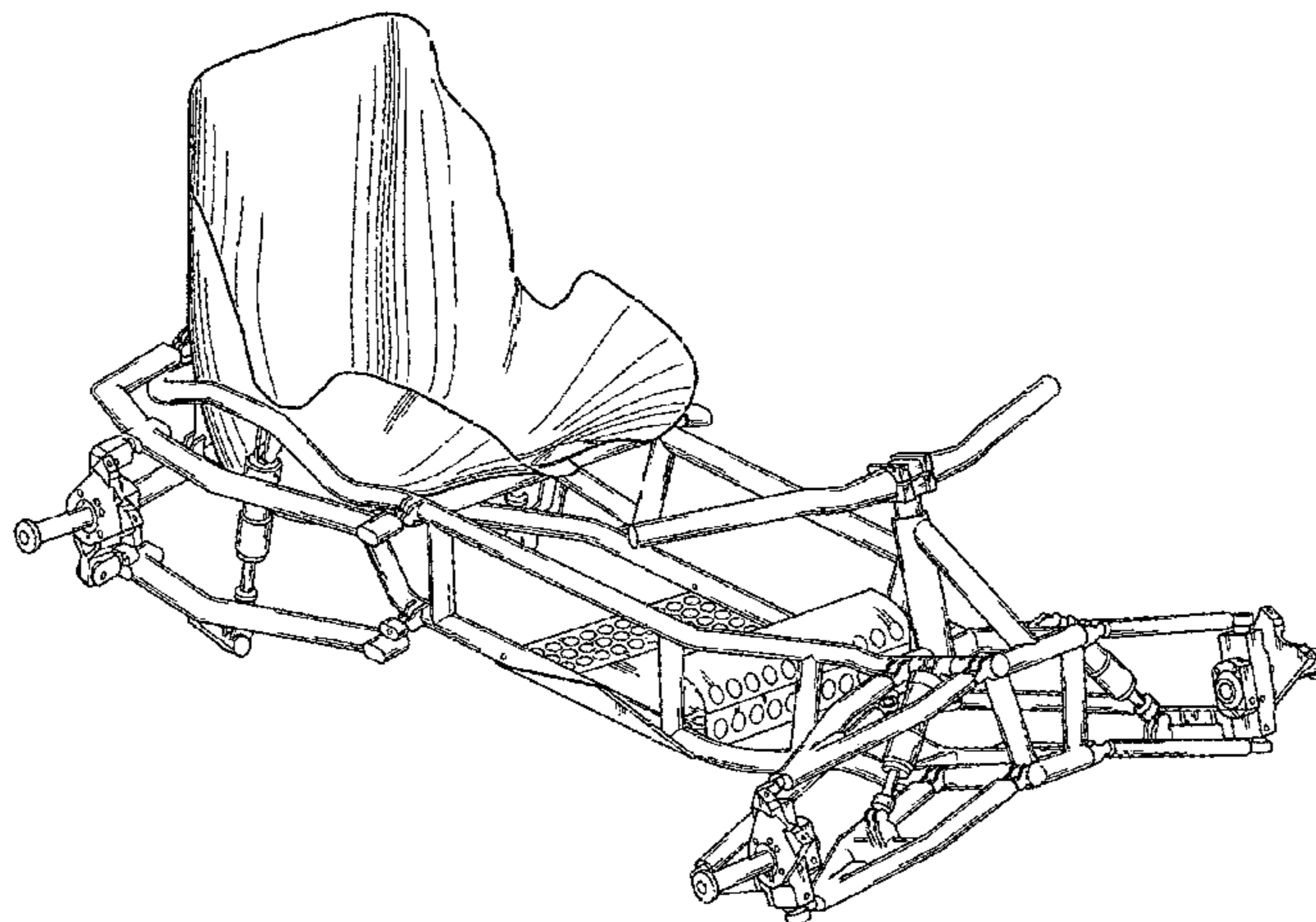
(57) **CLAIM**

The ornamental design for a vehicle frame with seat, as shown and described.

DESCRIPTION

FIG. 1 is a front, top and right side perspective view of a vehicle frame with seat showing our new design;
FIG. 2 is a rear, bottom and right side perspective view thereof;
FIG. 3 is a front elevation view thereof;
FIG. 4 is a rear elevation view thereof;
FIG. 5 is a right side elevation view thereof;
FIG. 6 is a left side elevation view thereof,
FIG. 7 is a top plan view thereof; and,
FIG. 8 is a bottom plan view thereof.

1 Claim, 8 Drawing Sheets



(56)

References Cited

U.S. PATENT DOCUMENTS

2004/0199311 A1* 10/2004 Aguilar G09B 9/042
701/36
2010/0032223 A1* 2/2010 Kermani A63G 25/00
180/216

* cited by examiner

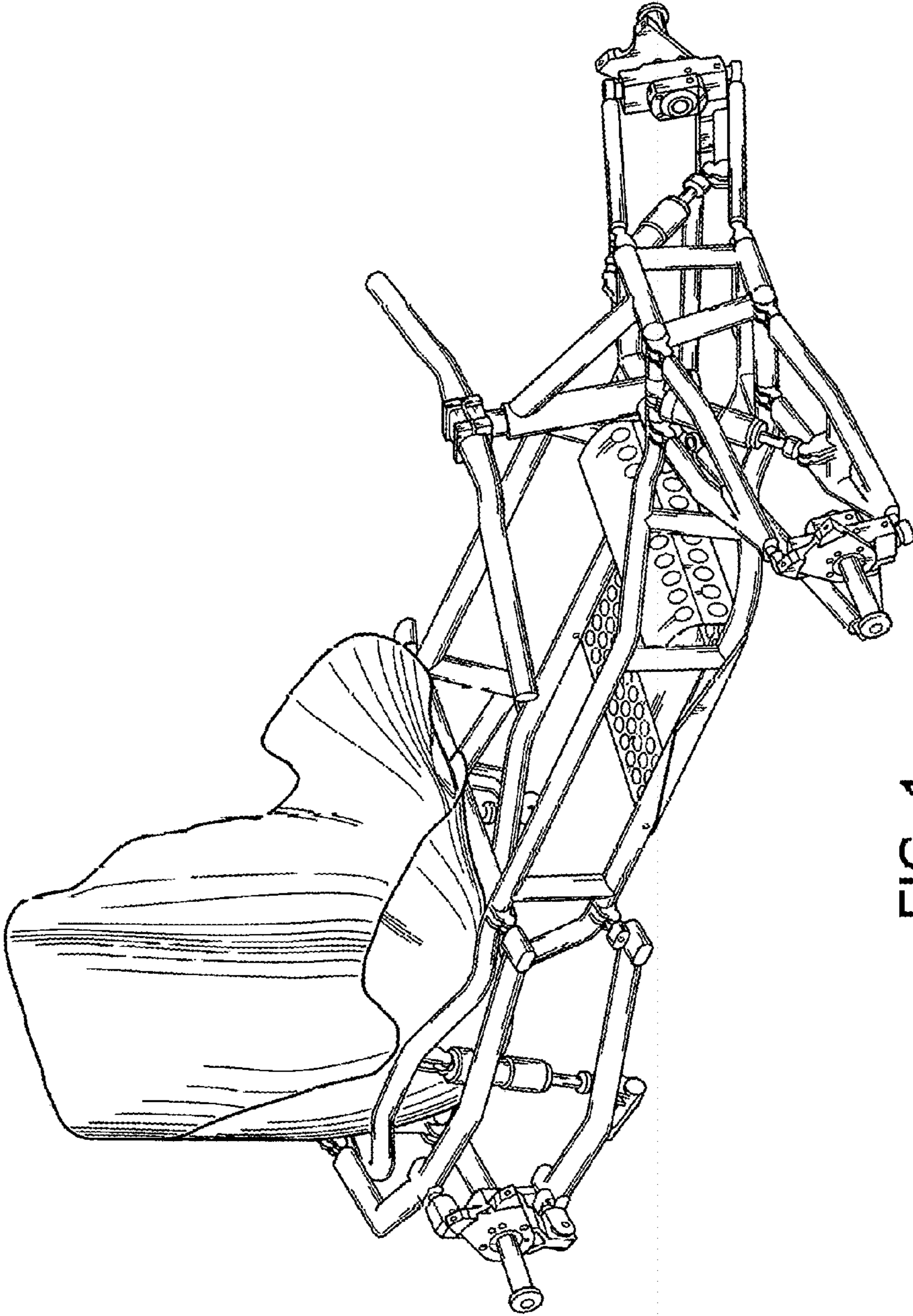


FIG. 1

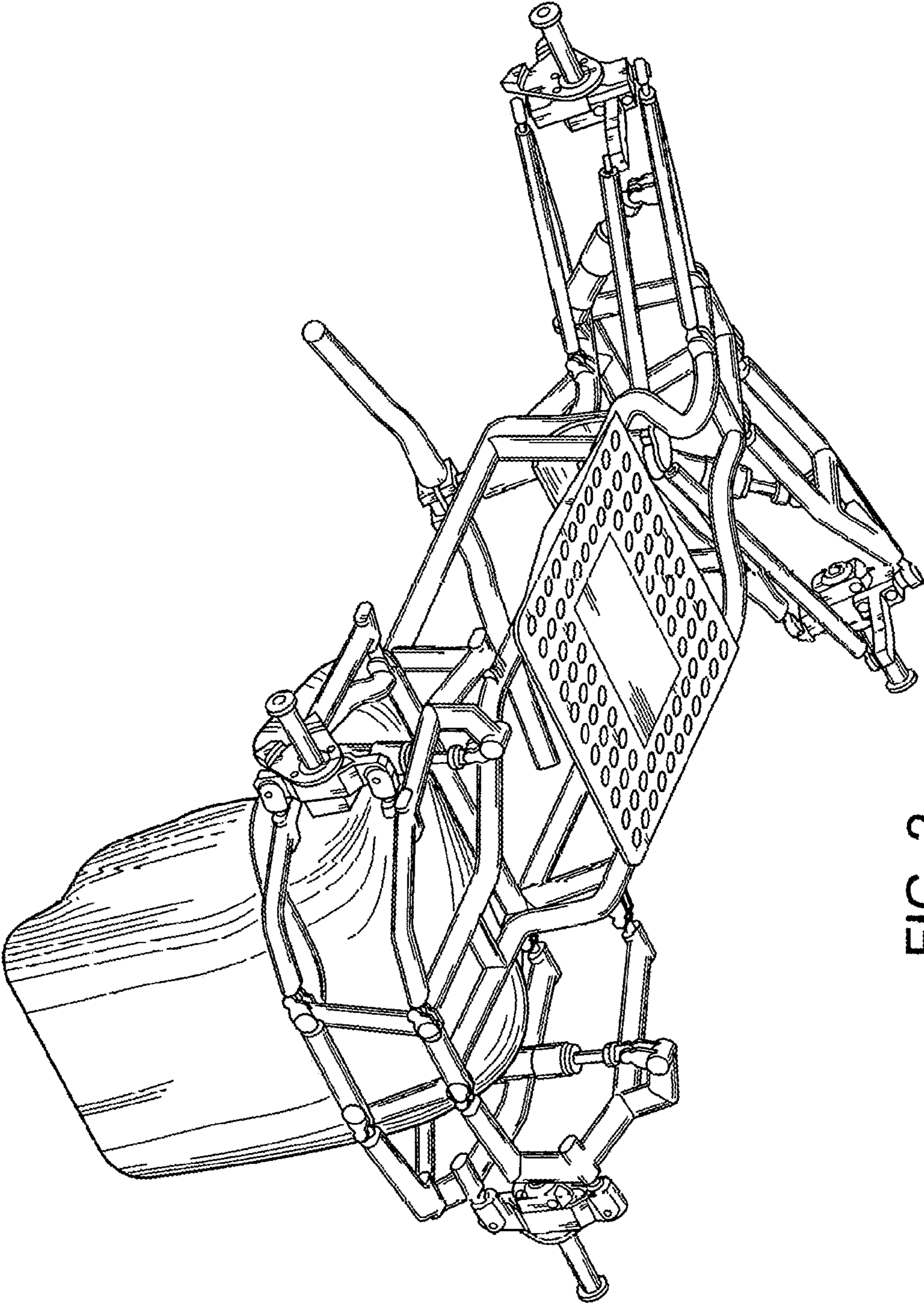


FIG. 2

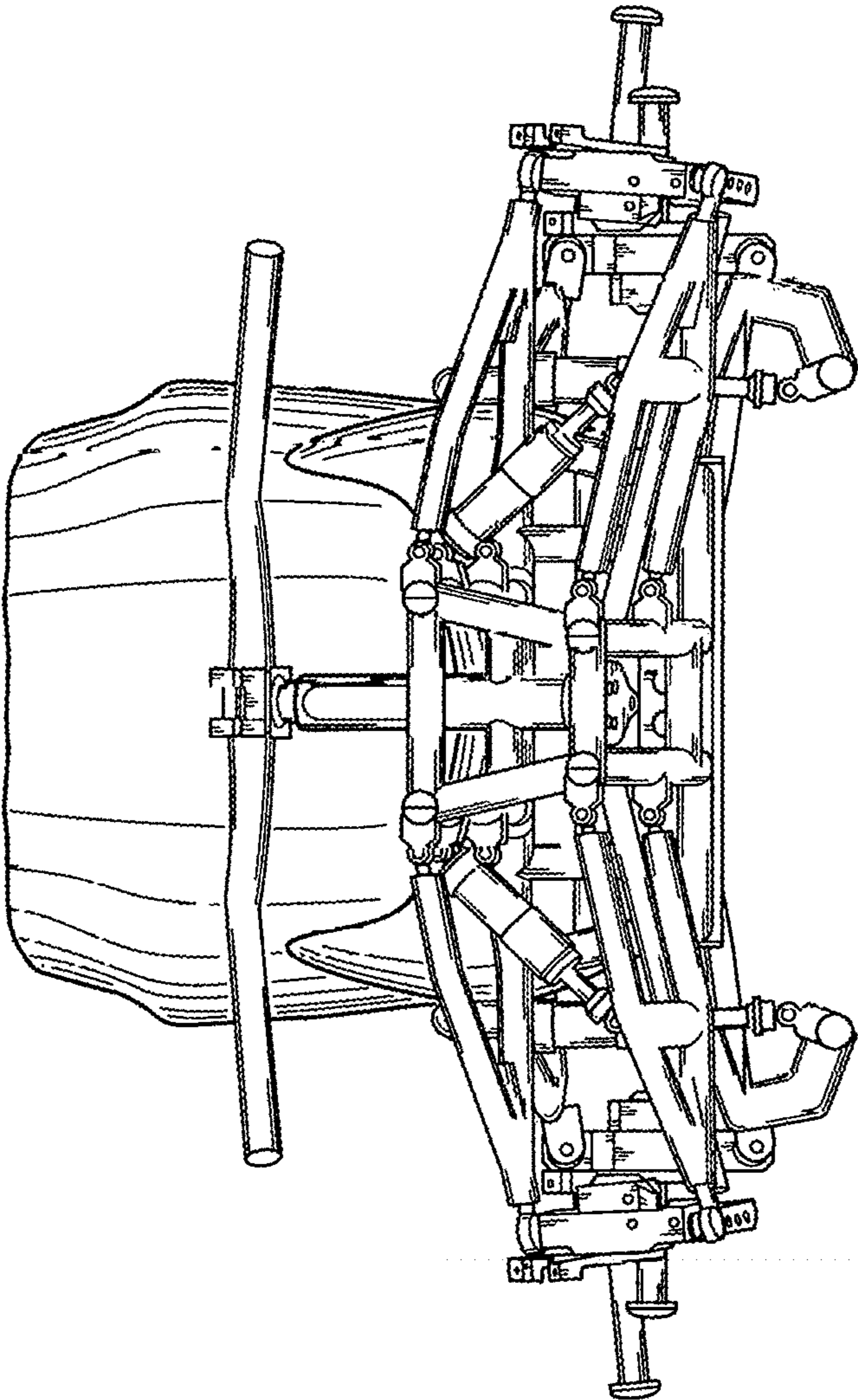


FIG. 3

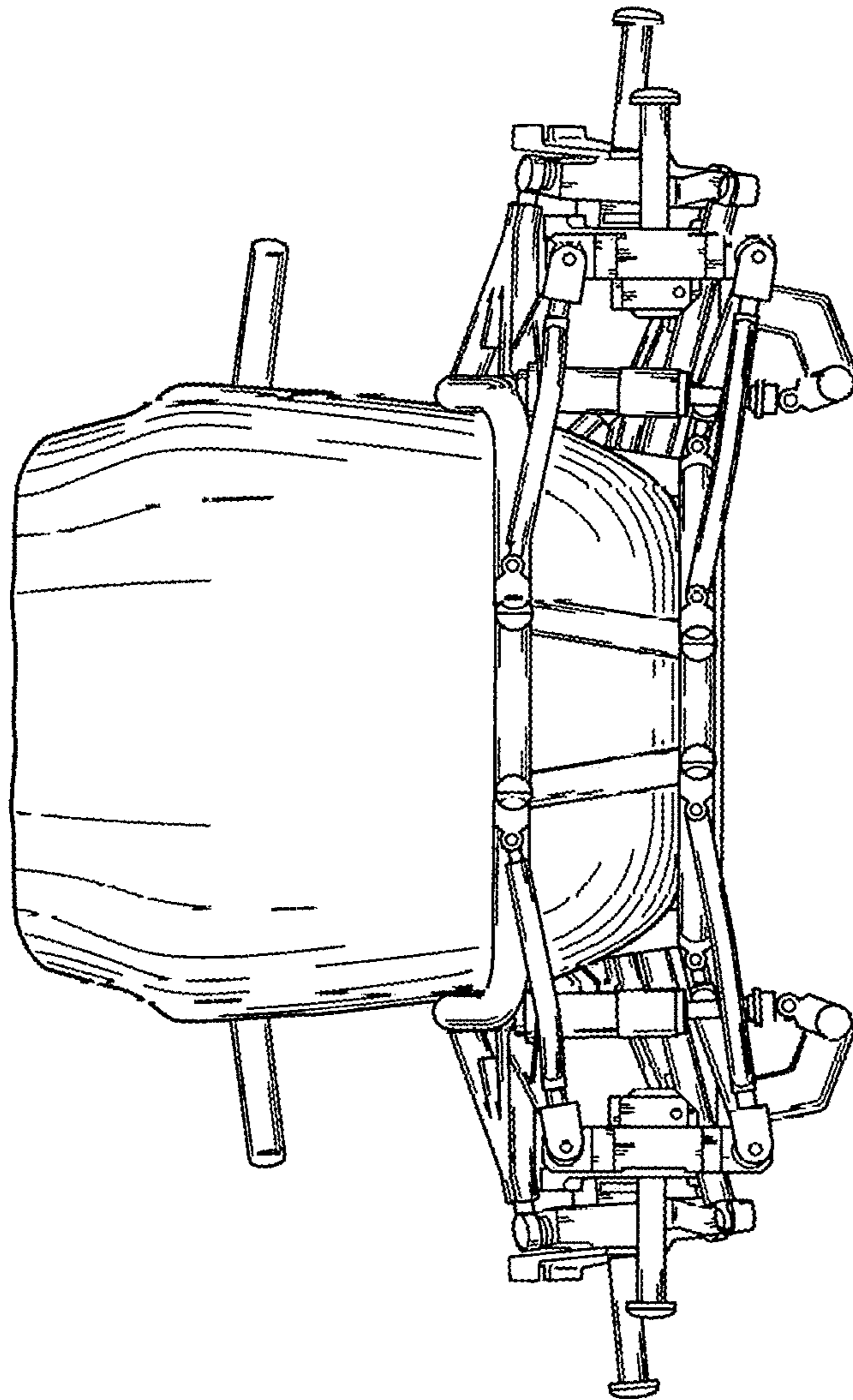


FIG. 4

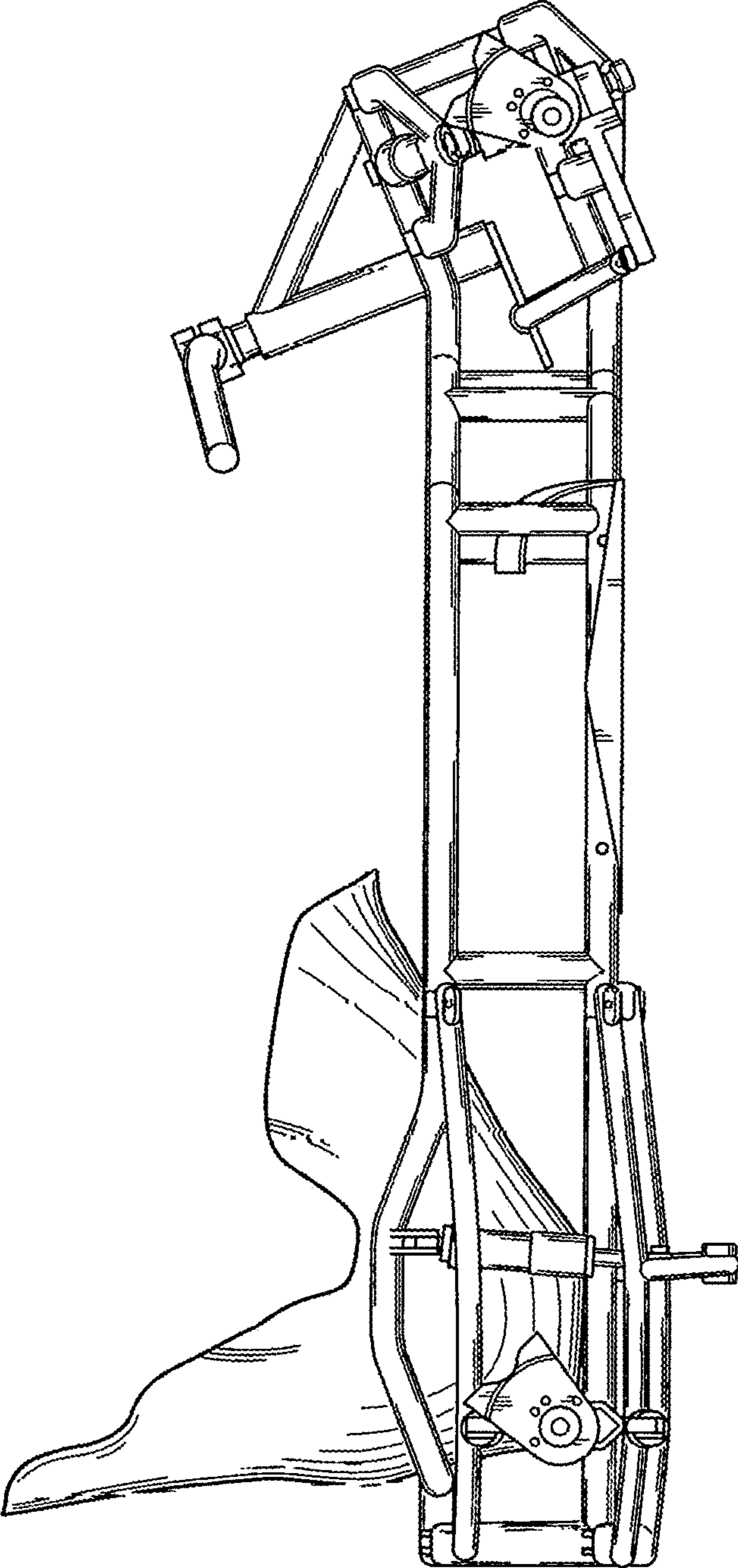


FIG. 5

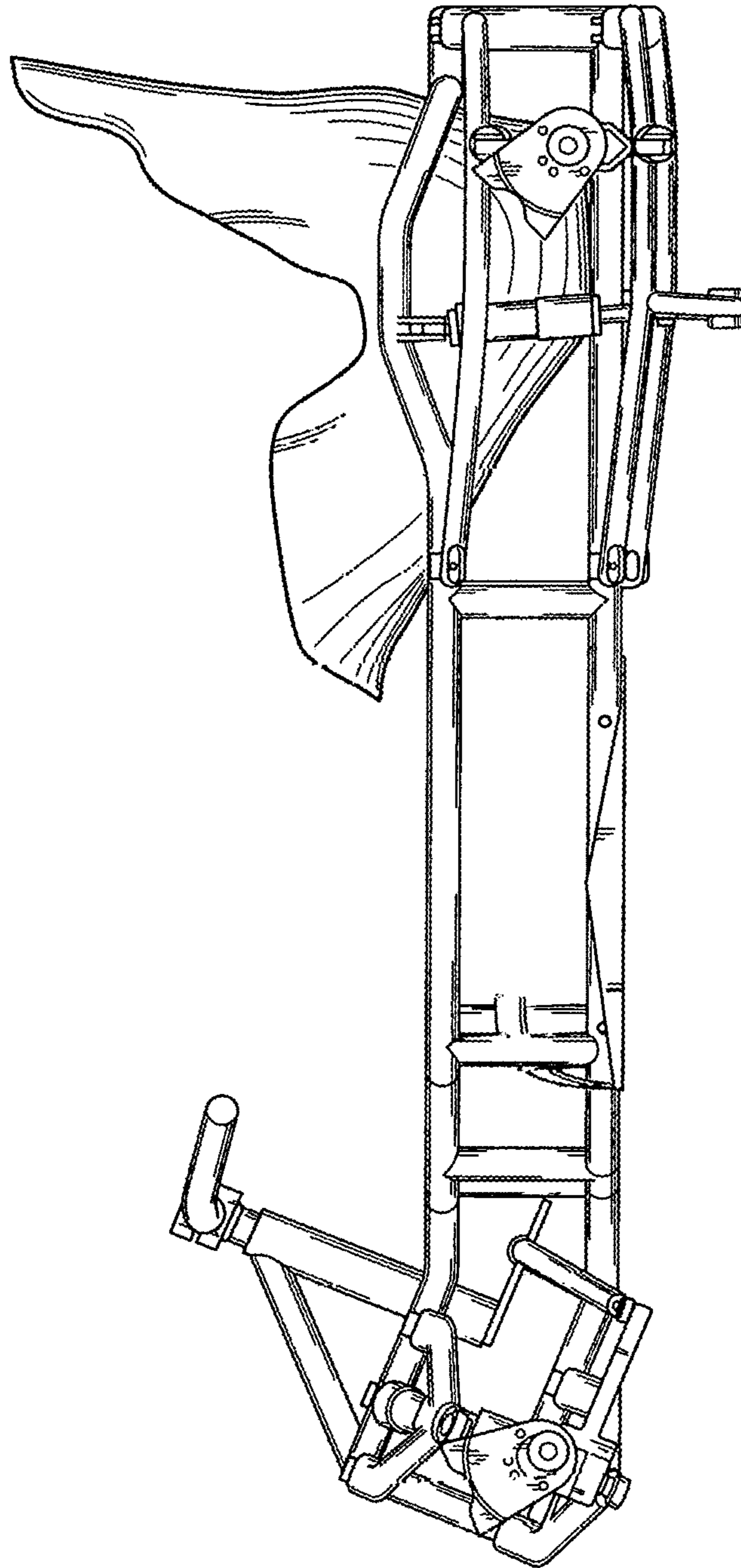


FIG. 6

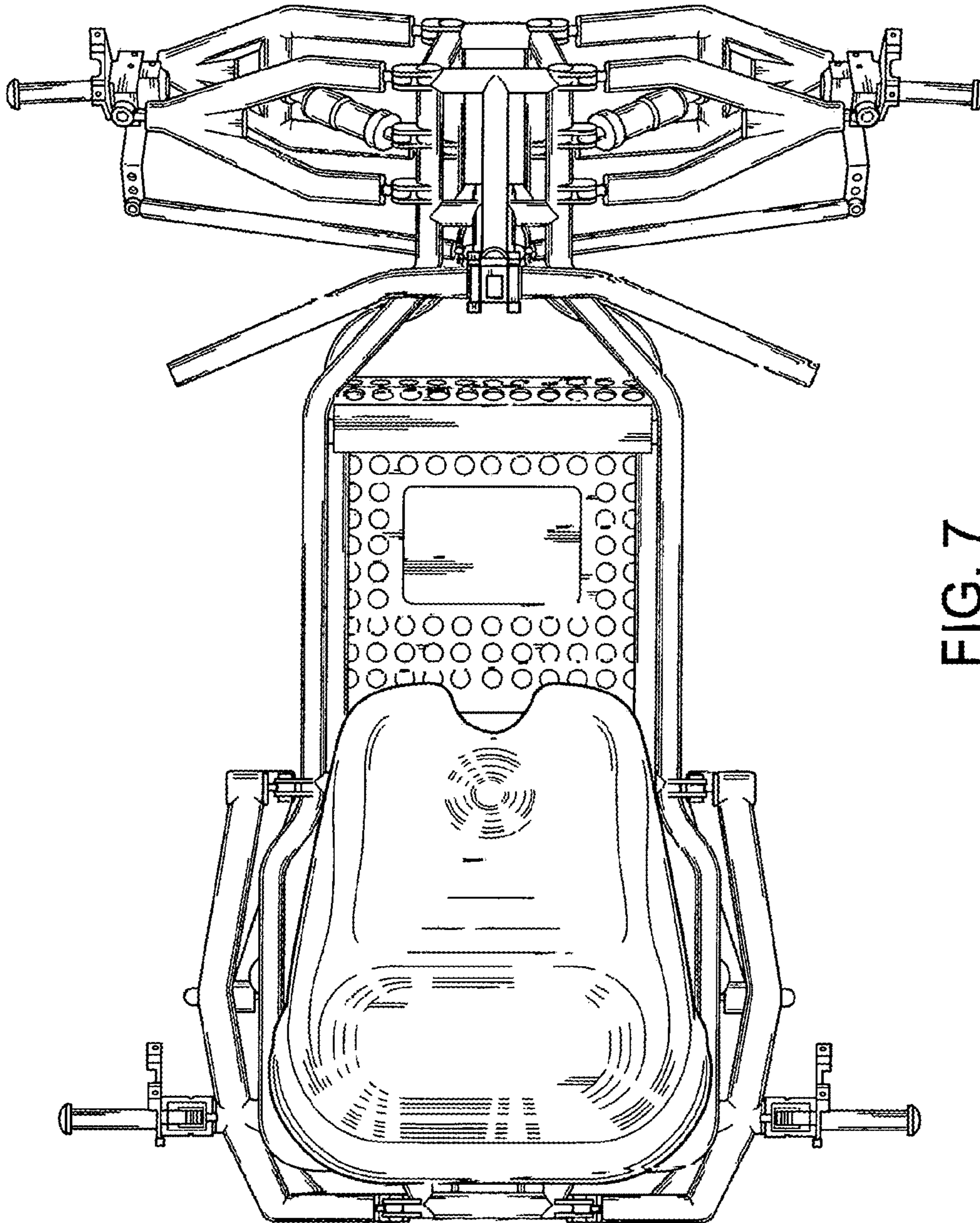


FIG. 7

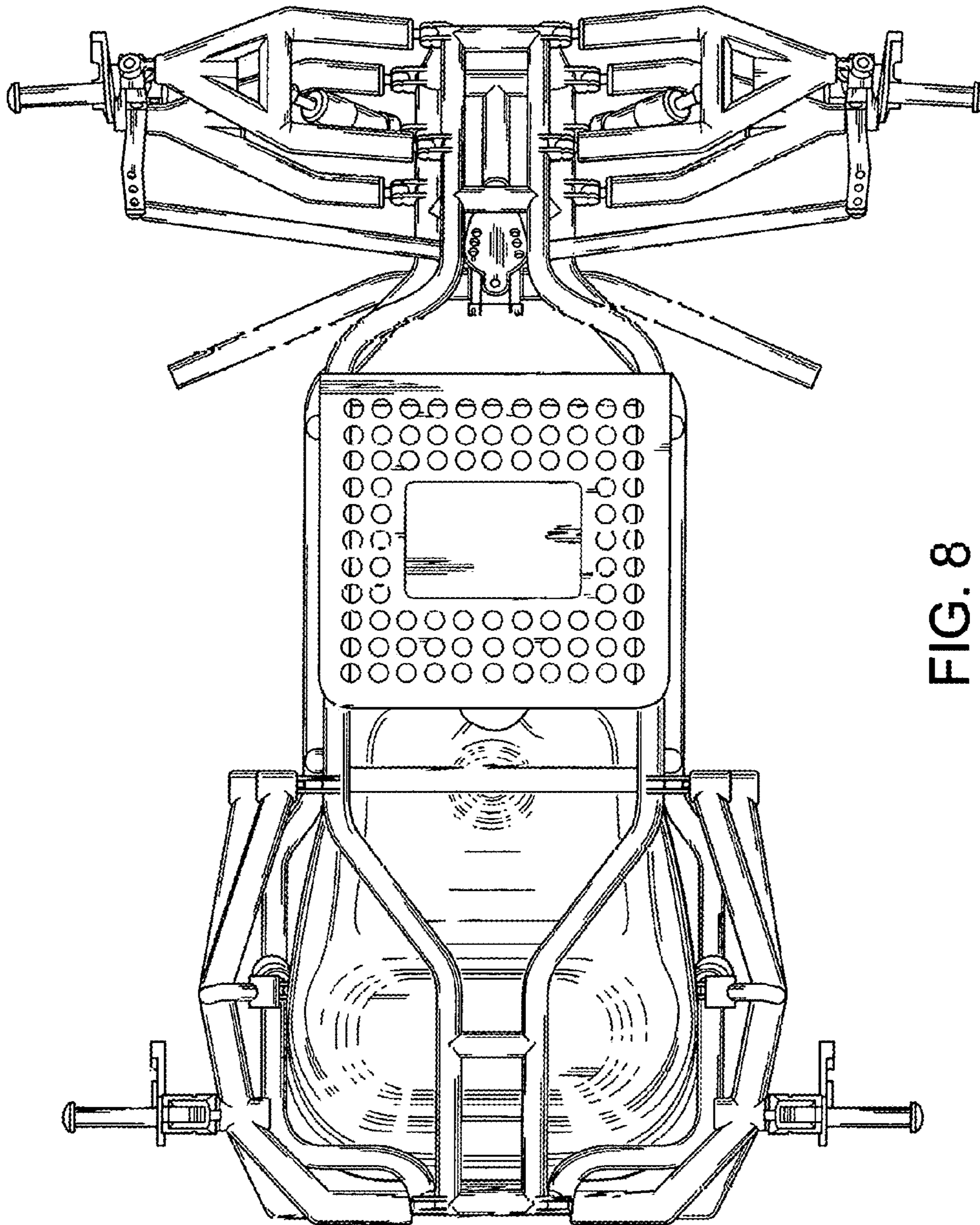


FIG. 8