

US00D775280S

(12) **United States Design Patent** (10) **Patent No.:** **US D775,280 S**
Shamp et al. (45) **Date of Patent:** **** Dec. 27, 2016**

(54) **TABLE CLIP FOR DIVIDERS**

(56) **References Cited**

(71) Applicants: **Travis Shamp**, Akron, OH (US);
Christopher Clark, Parma, OH (US);
Laura Manson, Medina, OH (US);
Jeffrey Boll, Tallmadge, OH (US);
Jerry Sciarini, Painesville, OH (US)

U.S. PATENT DOCUMENTS

68,634 A * 9/1867 March G09F 3/08
40/643
D26,461 S * 12/1896 Sassenhoff D20/43
2,601,026 A * 6/1952 Jones B42F 19/00
24/562
2,675,636 A * 4/1954 Schulz B42F 21/08
24/489
D185,408 S * 6/1959 Zimmerman D20/43
3,507,063 A * 4/1970 Jochheim B42F 21/00
40/641
D423,220 S * 4/2000 McDade D20/43
6,332,285 B1 * 12/2001 Aaldenberg B42F 21/065
229/67.1
D573,657 S * 7/2008 Caterinacci D20/43
D625,935 S * 10/2010 Theisen D20/43
D646,509 S * 10/2011 Luebcke D19/90

(72) Inventors: **Travis Shamp**, Akron, OH (US);
Christopher Clark, Parma, OH (US);
Laura Manson, Medina, OH (US);
Jeffrey Boll, Tallmadge, OH (US);
Jerry Sciarini, Painesville, OH (US)

(**) Term: **14 Years**

(21) Appl. No.: **29/468,674**

(22) Filed: **Oct. 2, 2013**

(Continued)

Primary Examiner — Mary Ann Calabrese
(74) *Attorney, Agent, or Firm* — Dureska & Moore, LLC;
Brent L. Moore

Related U.S. Application Data

(63) Continuation-in-part of application No. 14/043,999,
filed on Oct. 2, 2013, now abandoned.

(51) **LOC (10) Cl.** **20-03**

(52) **U.S. Cl.**
USPC **D20/43**

(58) **Field of Classification Search**
USPC D20/10, 19, 43, 44, 99; D5/513; D8/394,
D8/395; D25/119
CPC G09F 1/10; G09F 3/08; G09F 3/16;
G09F 3/18; G09F 3/20; G09F
3/201; G09F 3/202; G09F 3/203; G09F
7/02; G09F 7/04; G09F 7/08; G09F
7/0218; G09F 7/20; G09F 7/22; G09F
23/10; B42F 19/00; B42F 21/00; B42F
21/08; B42F 21/065; B65D 85/00

See application file for complete search history.

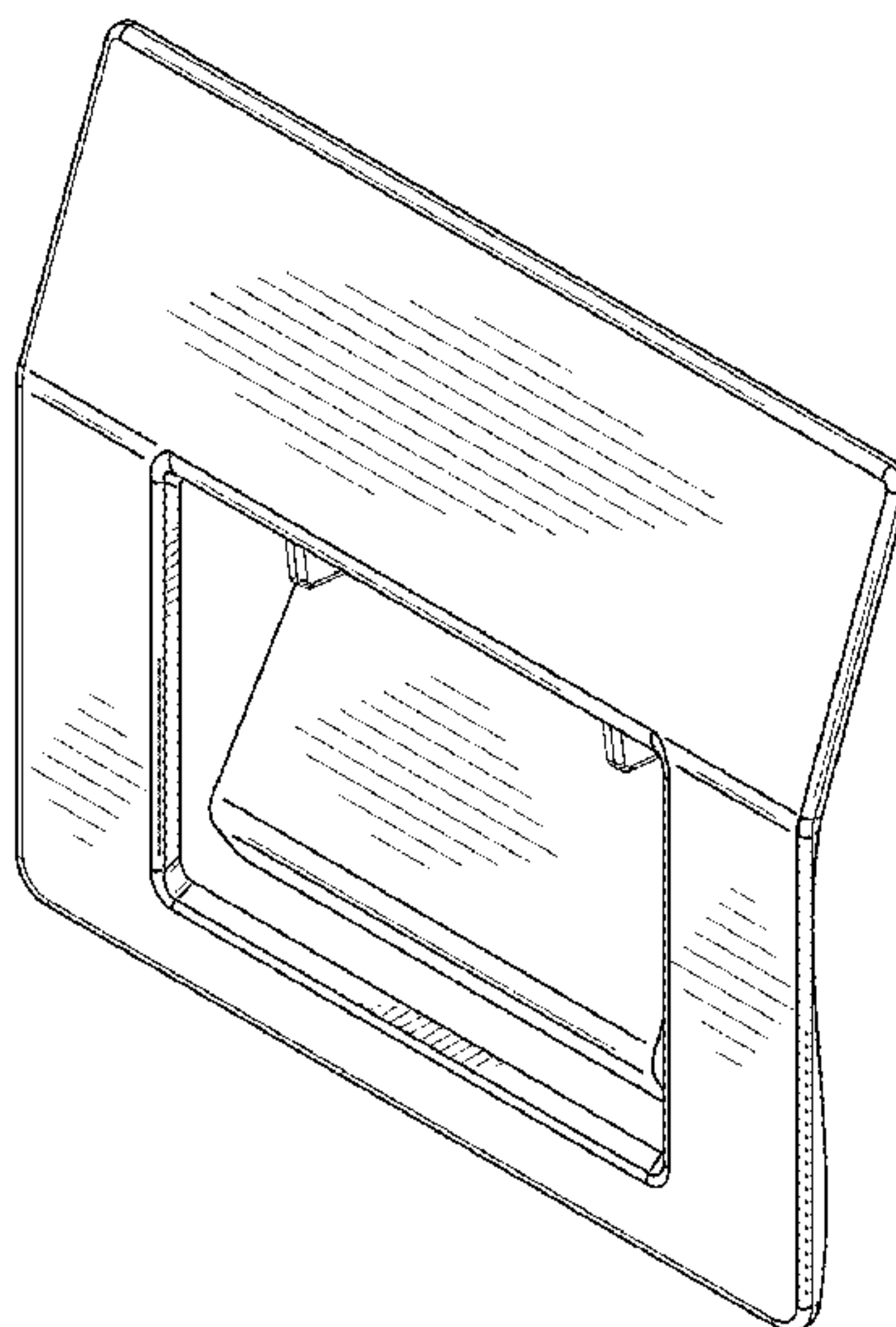
(57) **CLAIM**

We claim the ornamental design for a label clip for dividers,
as shown and described.

DESCRIPTION

FIG. 1 is a top right perspective view of a label clip for dividers.
FIG. 2 is a bottom right rear perspective view thereof.
FIG. 3 is a front view thereof.
FIG. 4 is a rear view thereof.
FIG. 5 is a top plan view thereof.
FIG. 6 is a bottom plan view thereof.
FIG. 7 is a side elevation view thereof; and,
FIG. 8 is a top right perspective view thereof showing the label clip for dividers with a bin and dividers.
In the drawings, the broken lines illustrate environment and form no part of the claimed design.

1 Claim, 5 Drawing Sheets



(56)

References Cited

U.S. PATENT DOCUMENTS

8,745,908 B2 * 6/2014 Hansen B42F 21/065
211/162
2013/0227867 A1 * 9/2013 Furber G09F 3/16
40/666
2014/0144807 A1 * 5/2014 Kuromitsu B65D 21/0213
206/564
2014/0173957 A1 * 6/2014 Shamp G09F 3/16
40/666

* cited by examiner

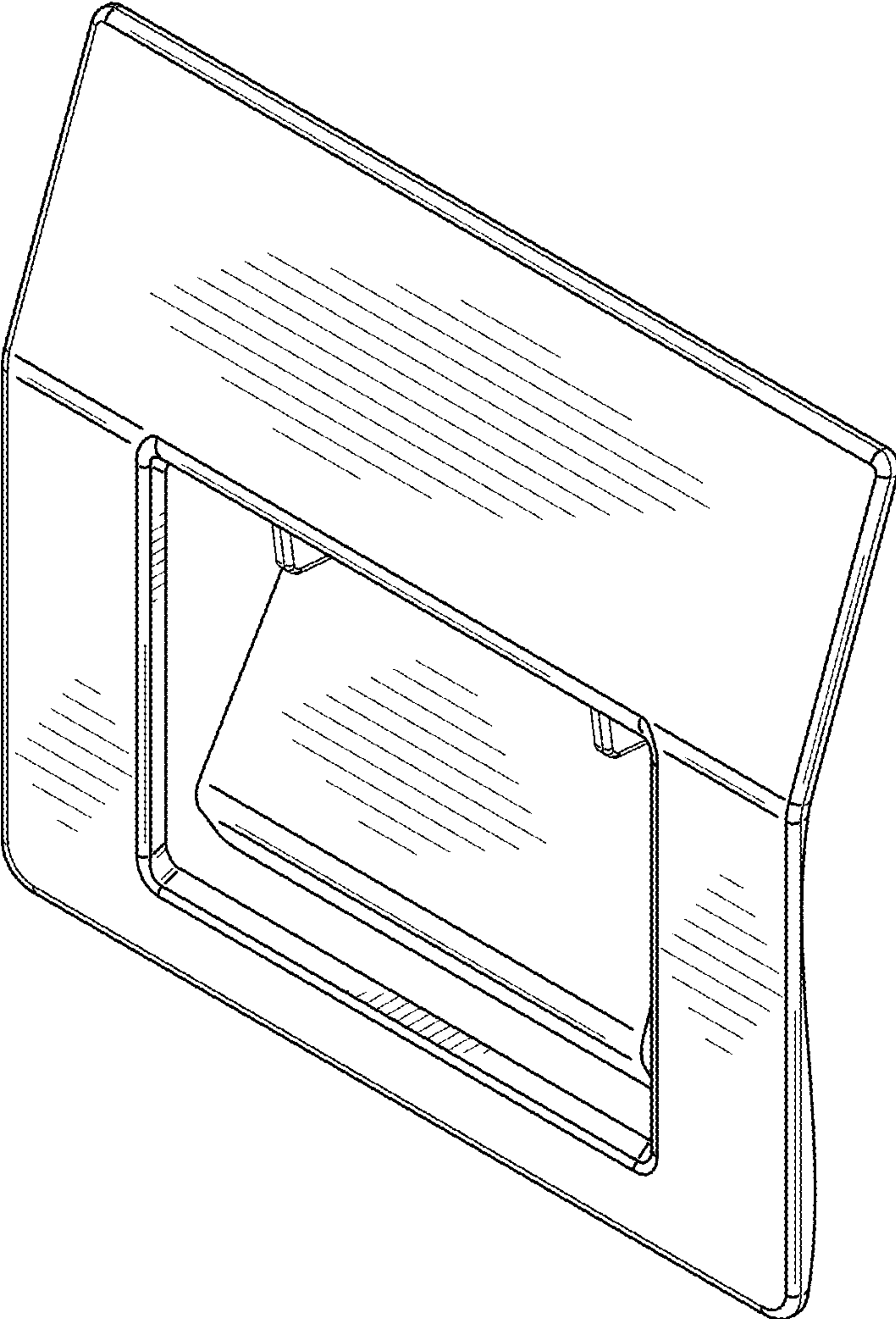


FIG. 1

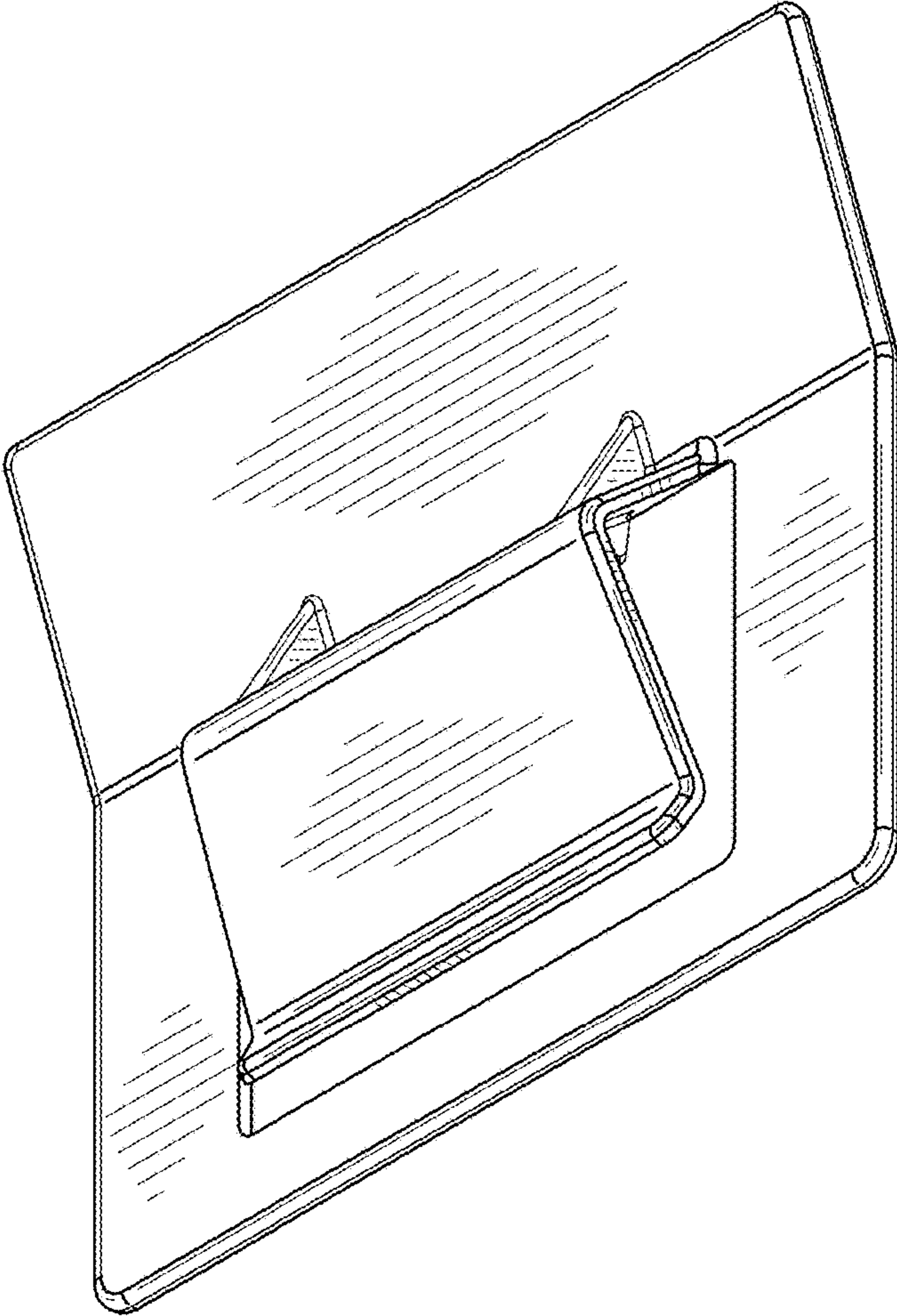


FIG. 2

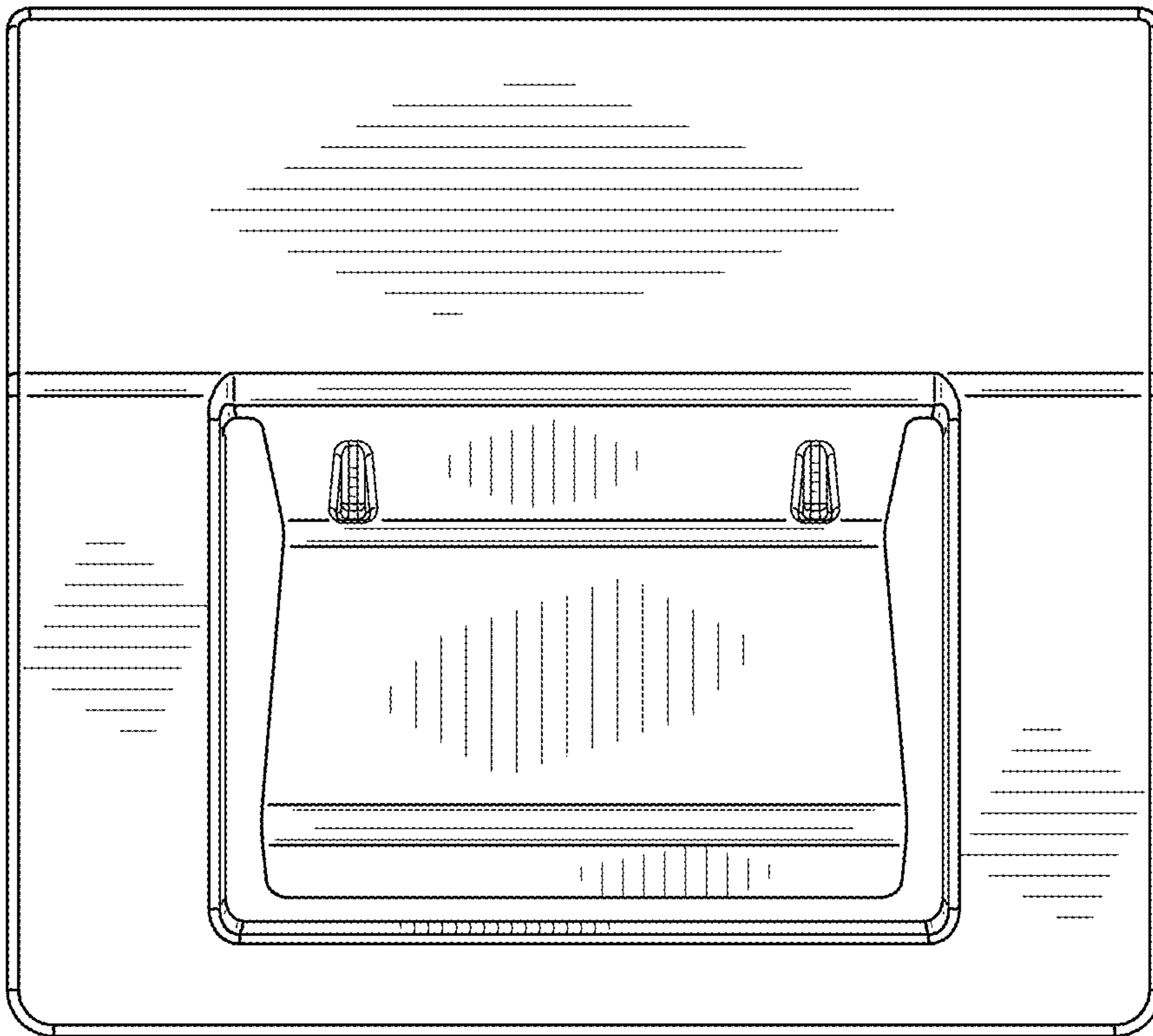


FIG. 3

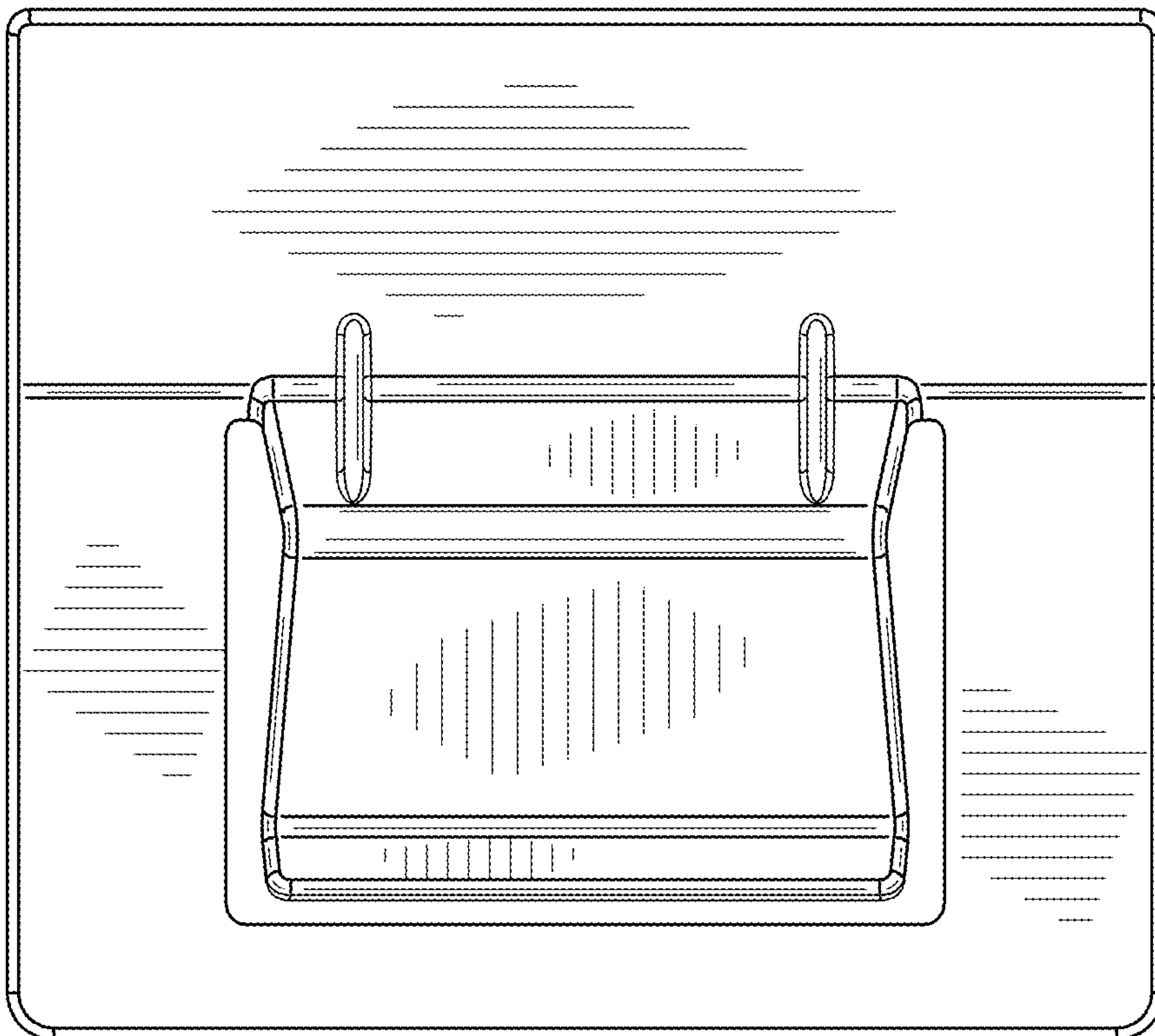


FIG. 4

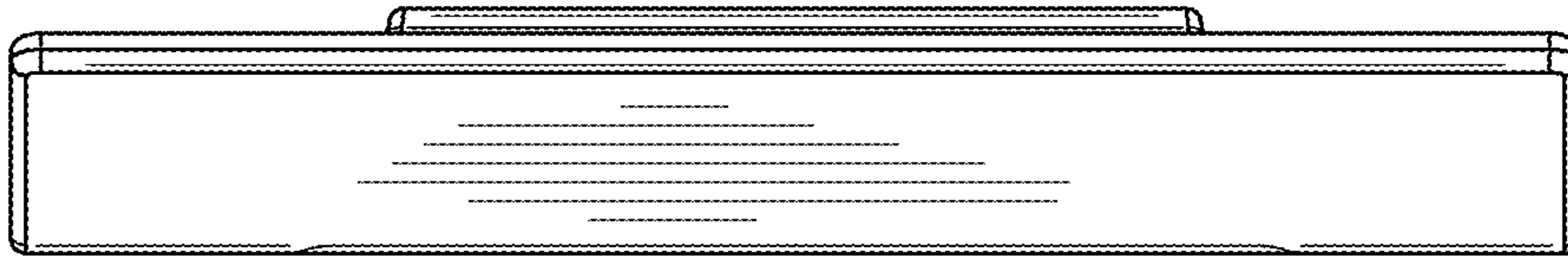


FIG. 5

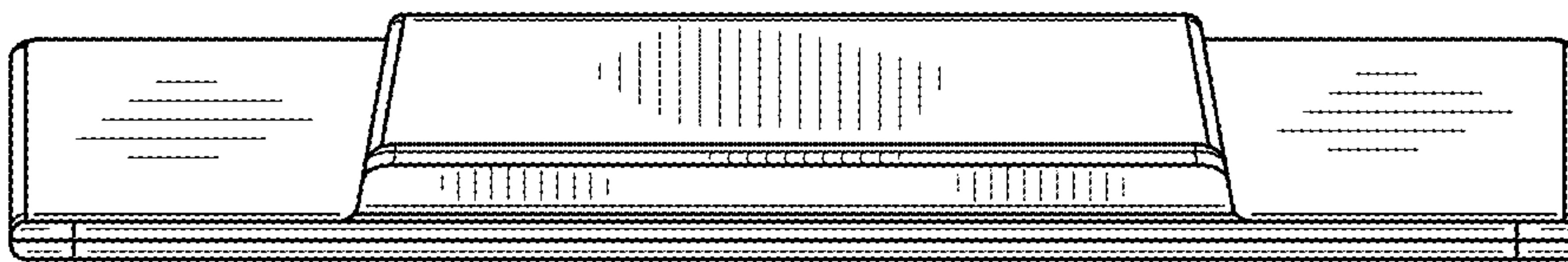


FIG. 6

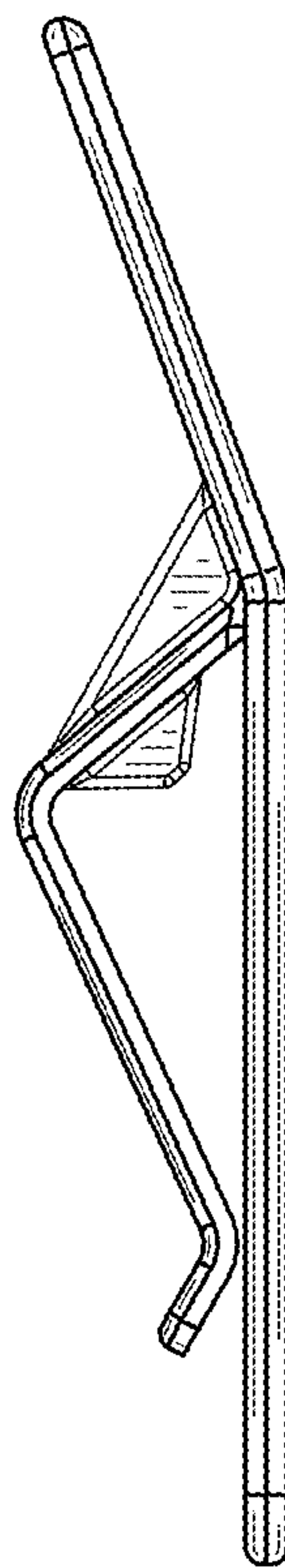


FIG. 7

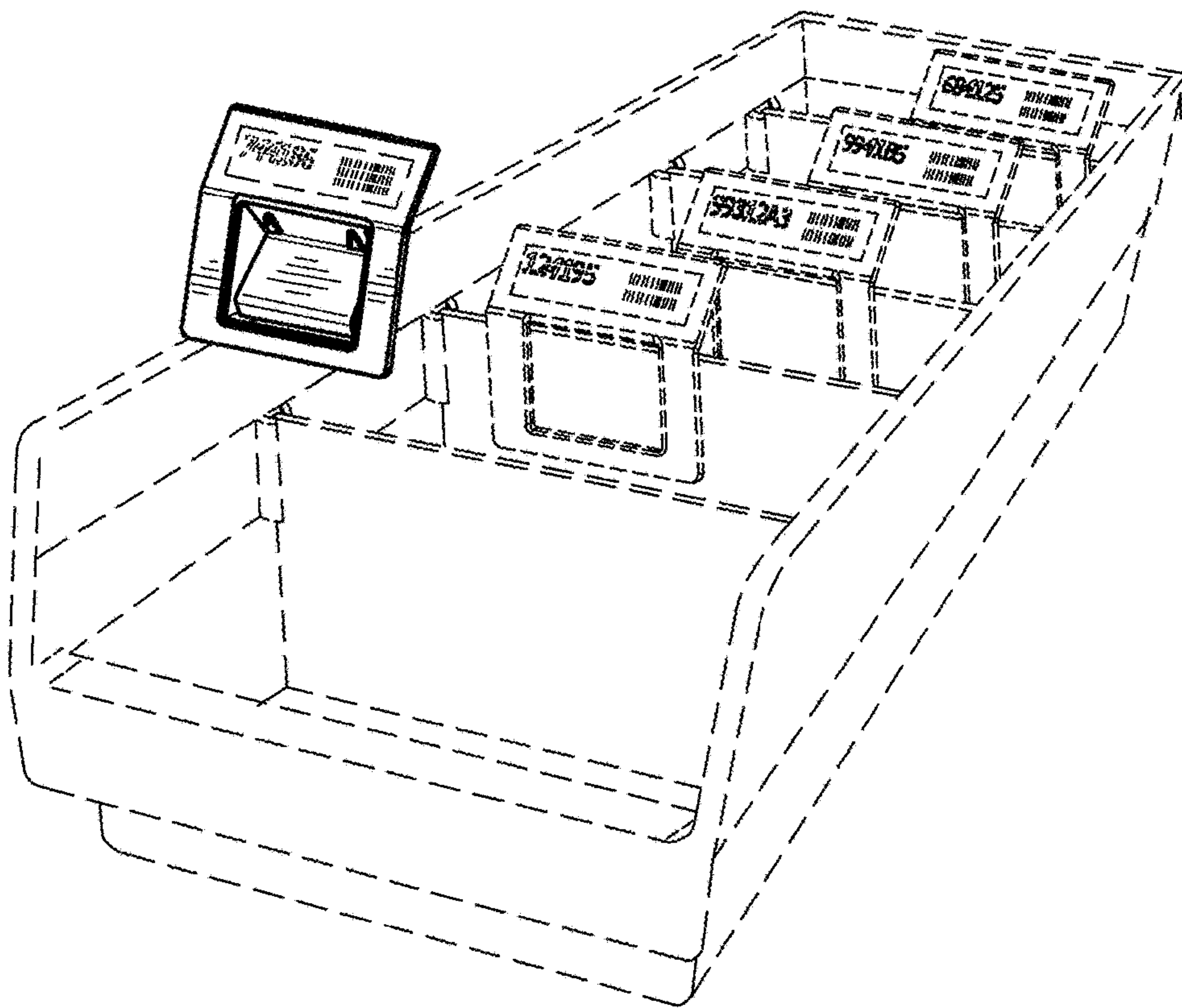


FIG. 8