



US00D775278S

(12) **United States Design Patent**
Lau et al.

(10) **Patent No.:** **US D775,278 S**

(45) **Date of Patent:** **** Dec. 27, 2016**

- (54) **CLIP**
- (71) Applicants: **Janet K. Lau**, Union City, CA (US);
Dara Kaneko Woo, Saratoga, CA (US)
- (72) Inventors: **Janet K. Lau**, Union City, CA (US);
Dara Kaneko Woo, Saratoga, CA (US)
- (**) Term: **15 Years**
- (21) Appl. No.: **29/528,150**
- (22) Filed: **May 26, 2015**
- (51) **LOC (10) Cl.** **19-02**
- (52) **U.S. Cl.**
USPC **D19/65**
- (58) **Field of Classification Search**
USPC D3/211; D8/356, 382, 395; D11/104,
D11/204, 205, 211, 217, 218, 219;
D19/65, 86, D19/99, 100; D20/31, 43;
D21/578, 617
CPC B42F 1/02; B42F 1/04; B42F 1/06;
B42F 1/08; B42F 1/10; Y10T 24/44983;
B42D 9/00; B42D 9/005
See application file for complete search history.

- 4,480,356 A * 11/1984 Martin B42F 1/02
24/545
- 4,528,800 A * 7/1985 Burns B65D 5/42
229/125
- 4,761,935 A * 8/1988 King B65D 5/6605
229/125
- D332,220 S * 1/1993 Specht D11/218
- 5,519,976 A * 5/1996 Gee E04B 9/18
24/67 AR
- D373,141 S * 8/1996 Dolbow D19/34
- D380,494 S * 7/1997 Molenaar D19/34
- D408,454 S * 4/1999 Ho D19/78
- D475,351 S * 6/2003 Brown D13/154
- 6,826,785 B2 * 12/2004 McNeal A44B 11/12
2/452
- 7,000,263 B2 * 2/2006 McNeal A44B 11/12
2/452
- 7,896,896 B2 * 3/2011 Viola A61B 17/1227
24/545
- 8,074,325 B2 * 12/2011 Gerfast B42F 1/06
24/67 R
- D676,310 S * 2/2013 Lowrance D8/356
- 8,397,410 B1 * 3/2013 Lau B42F 1/006
116/236
- 8,510,916 B2 * 8/2013 Kinvi G09F 17/00
24/3.12

* cited by examiner

Primary Examiner — Elizabeth Albert

(74) *Attorney, Agent, or Firm* — Aka Chan LLP

(56) **References Cited**

U.S. PATENT DOCUMENTS

- 341,127 A * 5/1886 Bretzfeld A44B 11/04
24/186
- 2,335,903 A * 12/1943 Beckett B42F 1/10
24/563
- 2,723,432 A * 11/1955 Flora F16B 5/0685
248/73
- 2,768,416 A * 10/1956 McMullen B42F 1/02
24/547
- 3,057,028 A * 10/1962 Lorber B42F 1/10
24/545
- 3,502,251 A * 3/1970 Hart A47G 25/32
223/96

(57) **CLAIM**

The ornamental design for a clip, as shown and described.

DESCRIPTION

FIG. 1 shows a perspective view of a design of a clip.
 FIG. 2 shows a front view of the clip.
 FIG. 3 shows a top view of the clip. A bottom view of the clip is the same as FIG. 3.
 FIG. 4 shows a left-side view of the clip; and,
 FIG. 5 shows a right-side view of the clip.

1 Claim, 1 Drawing Sheet

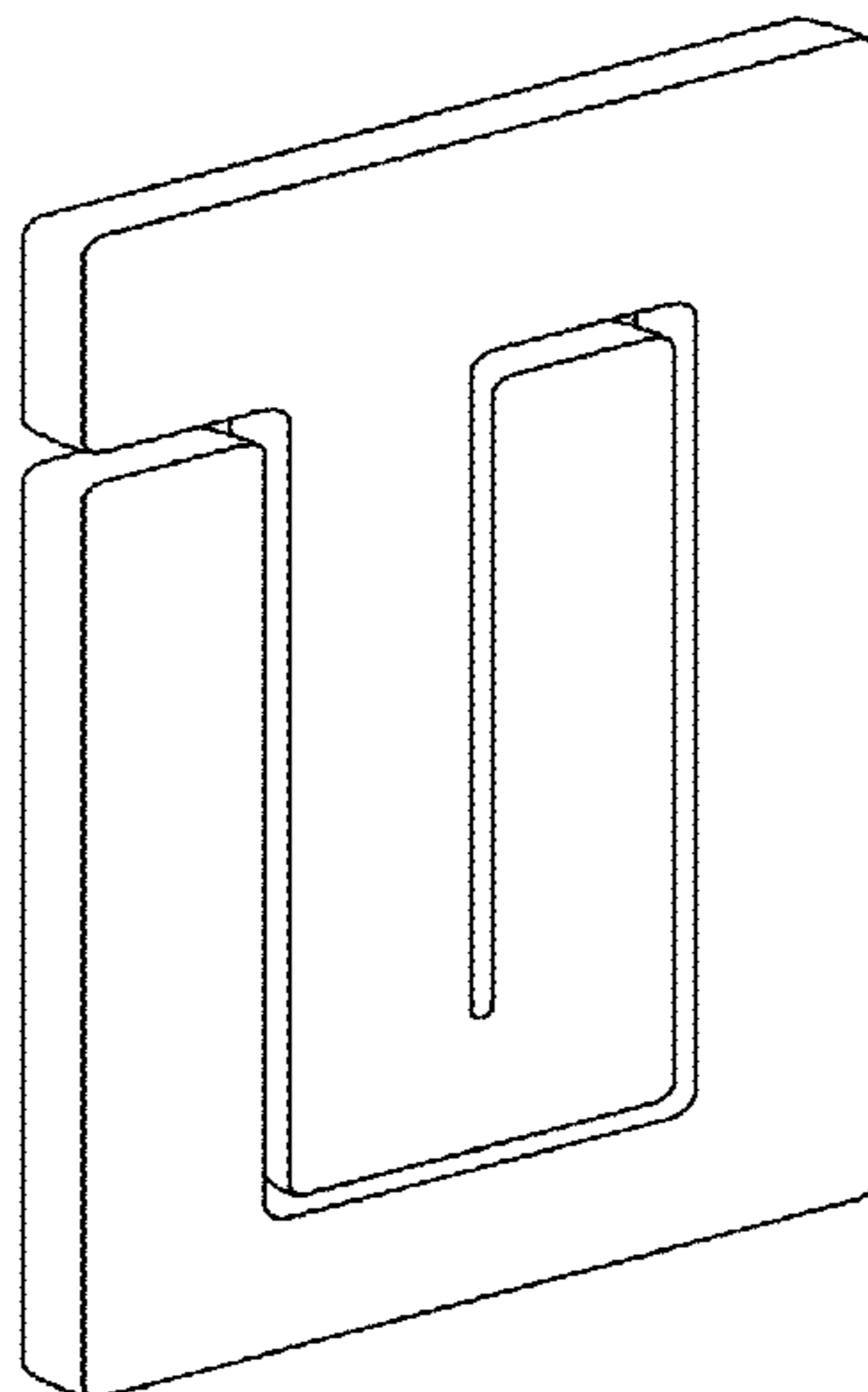


FIG. 1

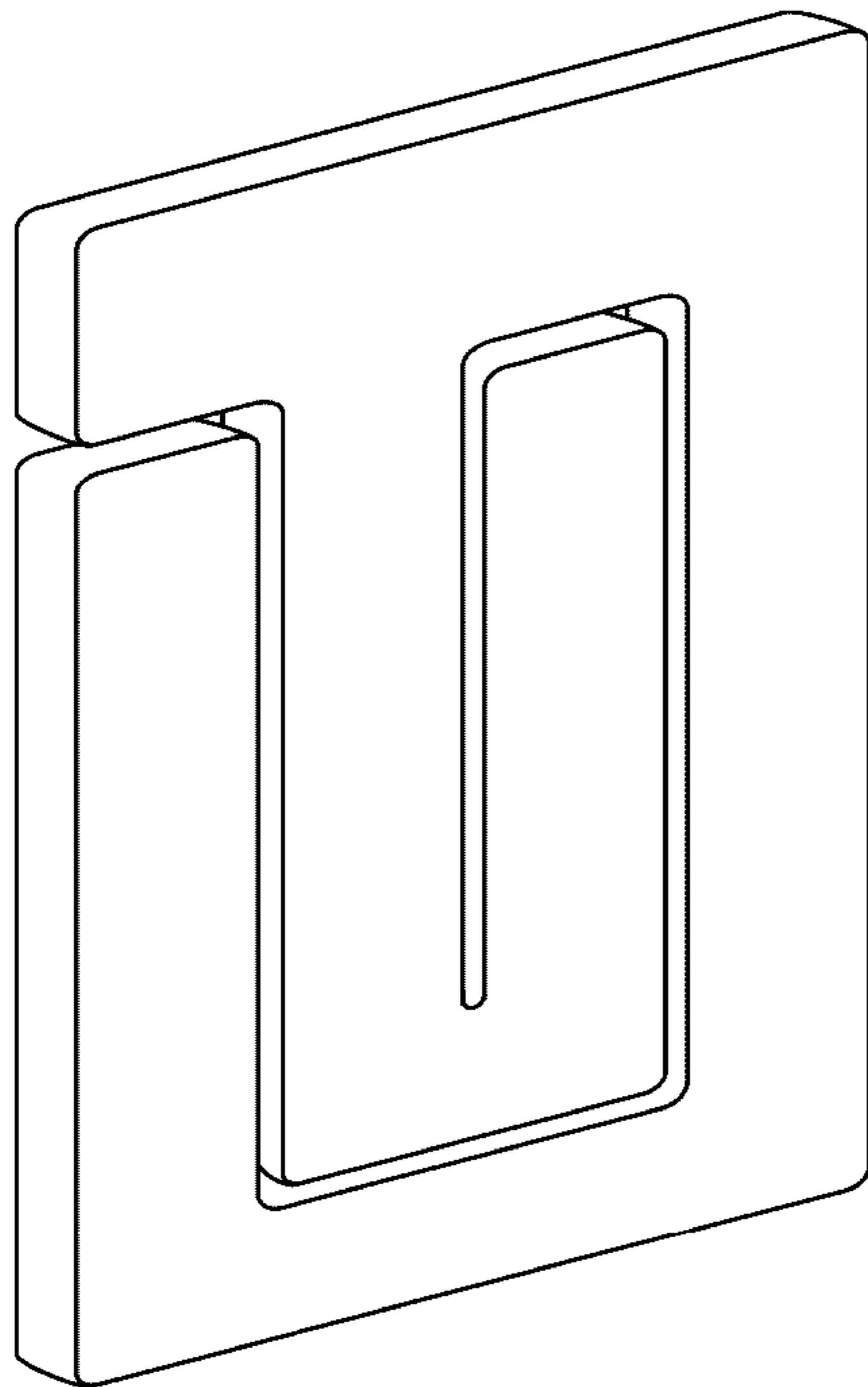


FIG. 2

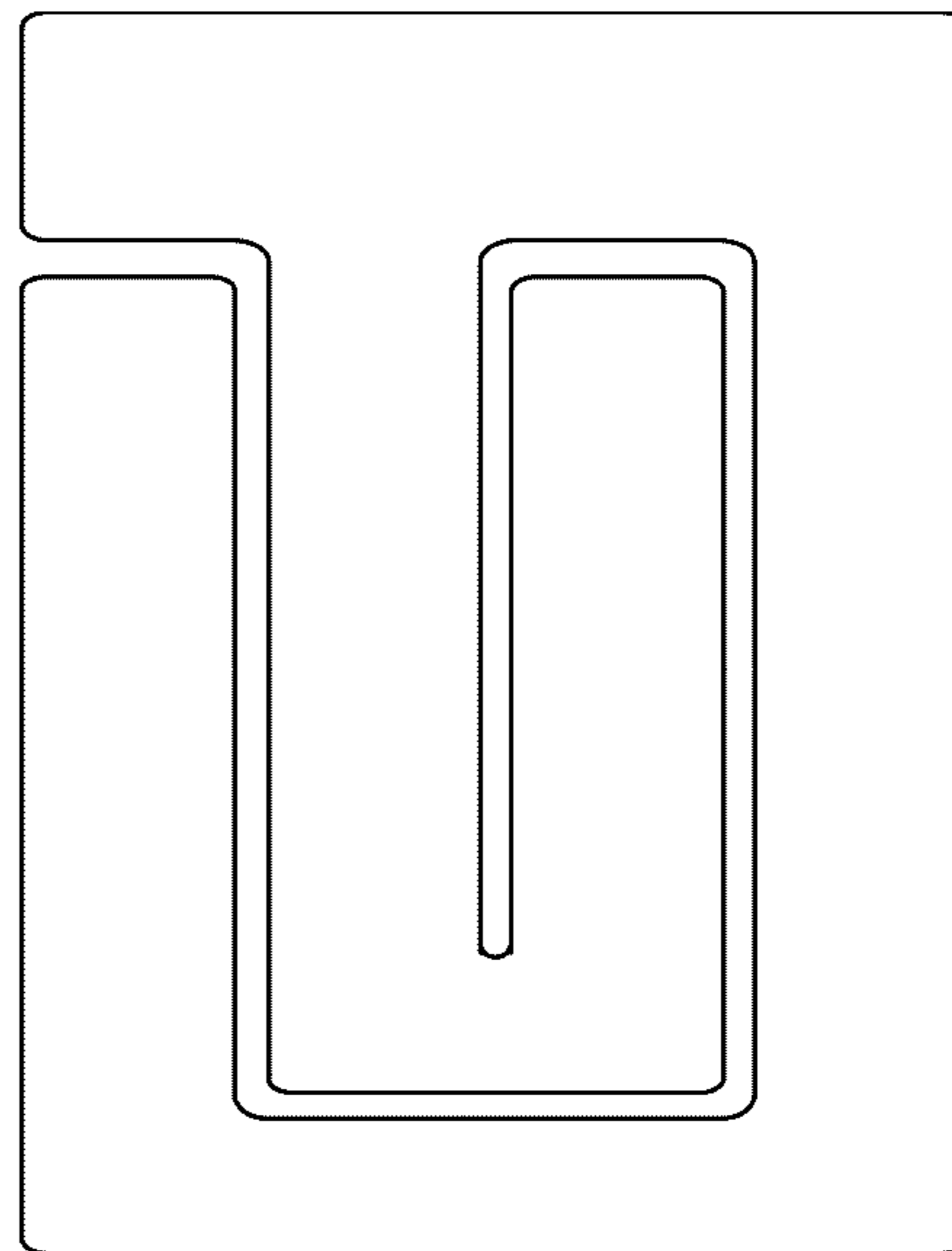


FIG. 3

FIG. 4



FIG. 5

