



US00D775276S

(12) **United States Design Patent** (10) **Patent No.:** **US D775,276 S**  
**Glass et al.** (45) **Date of Patent:** **\*\* Dec. 27, 2016**

(54) **ENVELOPE FOR HOLDING STORED VALUE CARDS**

B42D 2033/22; B42D 2033/28; B42D 2033/30

See application file for complete search history.

(71) Applicant: **Gift Card Impressions, LLC**, Kansas City, MO (US)

(56) **References Cited**

(72) Inventors: **Brett R. Glass**, Kansas City, MO (US);  
**Nicole E. Glass**, Kansas City, MO (US)

U.S. PATENT DOCUMENTS

(73) Assignee: **Gift Card Impressions, LLC**, Kansas City, MO (US)

|              |        |        |       |       |
|--------------|--------|--------|-------|-------|
| D548,781 S * | 8/2007 | Oberst | ..... | D19/2 |
| D590,440 S * | 4/2009 | Taute  | ..... | D19/3 |
| D616,930 S * | 6/2010 | Engel  | ..... | D19/3 |
| D661,349 S * | 6/2012 | Picard | ..... | D19/3 |
| D685,843 S * | 7/2013 | Glass  | ..... | D19/3 |
| D729,313 S * | 5/2015 | Glass  | ..... | D19/3 |

(\*\*) Term: **14 Years**

\* cited by examiner

(21) Appl. No.: **29/525,755**

*Primary Examiner* — Abraham Bahta

(22) Filed: **May 1, 2015**

(74) *Attorney, Agent, or Firm* — Polsinelli PC

**Related U.S. Application Data**

(57) **CLAIM**

(62) Division of application No. 29/481,880, filed on Feb. 11, 2014, now Pat. No. Des. 728,683.

The ornamental design for an envelope for holding stored value cards, as shown and described.

(51) **LOC (10) Cl.** ..... **19-01**

**DESCRIPTION**

(52) **U.S. Cl.**

USPC ..... **D19/3**

(58) **Field of Classification Search**

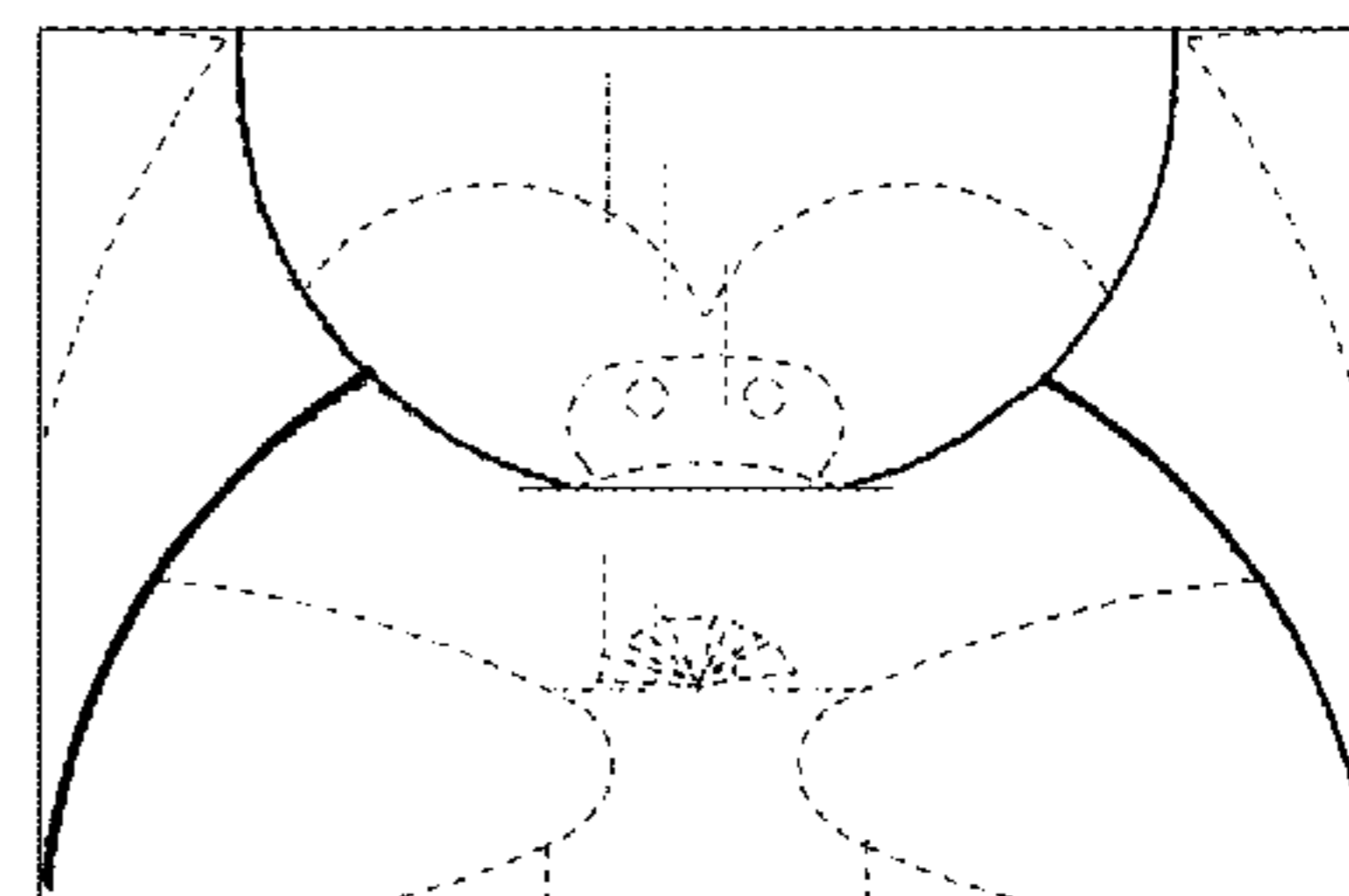
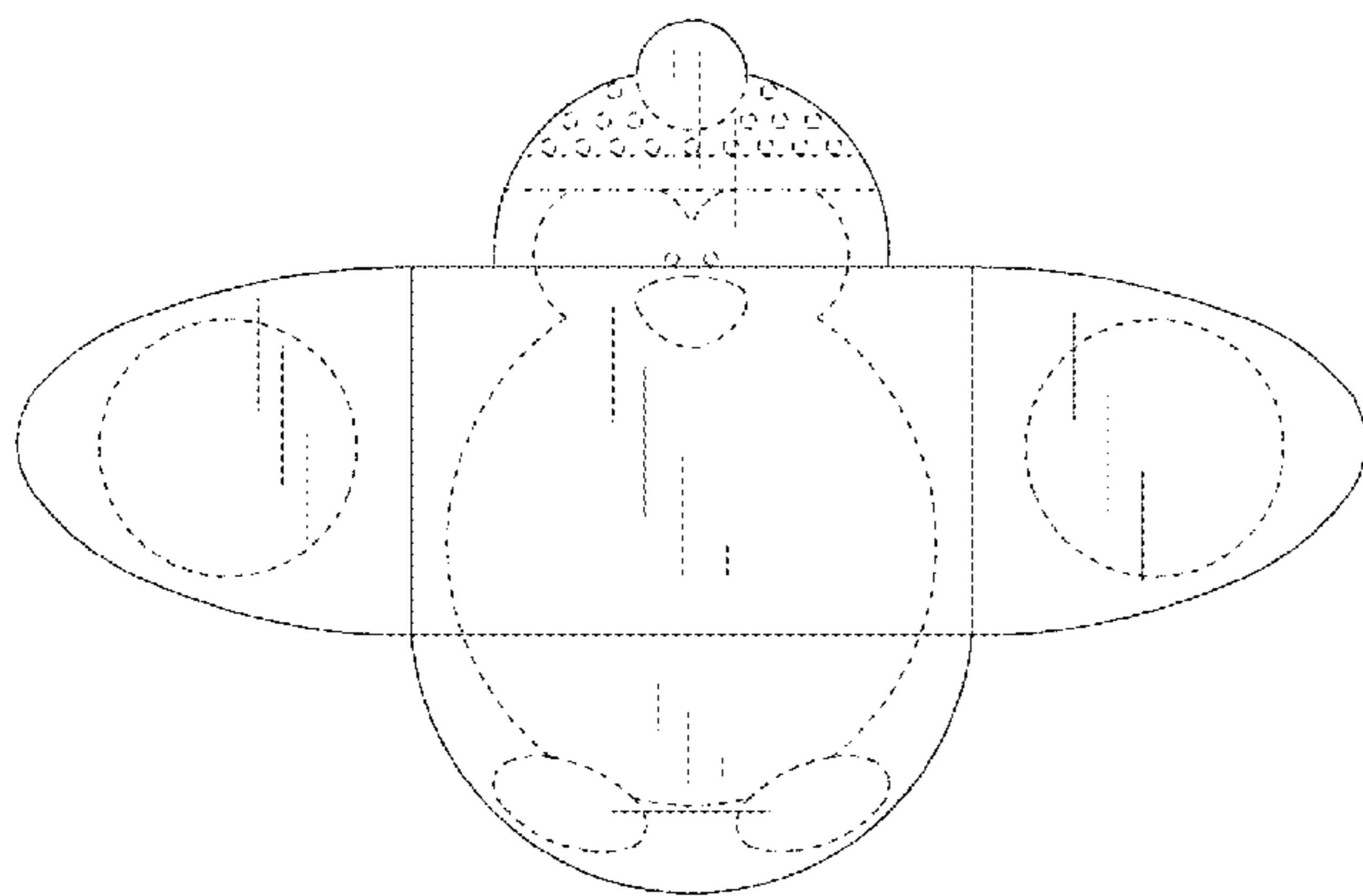
USPC ..... D19/1-8, 75, 86, 100; 229/67.4, 928, 229/307, 92; 206/449, 424, 308.1, 308.3, 206/309, 313; 462/64-65; D20/27, 22, 40; 40/672, 124.01-124.15; D3/303, 227, 20; 383/61.1, 84; 283/72, 74-75, 103, 283/105-106, 116-117; D9/433

CPC ..... B42D 25/00; B42D 25/20; B42D 25/26; B42D 25/29; B42D 25/30; B42D 25/285; B42D 15/00; B42D 15/022; B42D 15/027; B42D 15/045; B42D 15/042; B42D 2033/00; B42D 2033/02; B42D 2033/04; B42D 2033/08; B42D 2033/10; B42D 2033/16; B42D 2033/18; B42D 2033/20;

FIG. 1 is a front elevation view of an envelope for holding stored value cards according to an embodiment of the invention shown not folded and in an open position; FIG. 2 is a rear elevation view of the envelope of FIG. 1 shown not folded and in an open disposition; FIG. 3 is a front elevation view of the envelope of FIG. 1 shown folded and in a closed disposition; FIG. 4 is a left elevation view of the envelope of FIG. 1; FIG. 5 is a right elevation view of the envelope of FIG. 1; FIG. 6 is a top plan view of the envelope of FIG. 1; and, FIG. 7 is a bottom plan view of the envelope of FIG. 1.

The dashed lines showing in the FIGS. 1-3 are included for the purpose of illustrating ornamental features of the envelope for holding stored value cards.

**1 Claim, 2 Drawing Sheets**



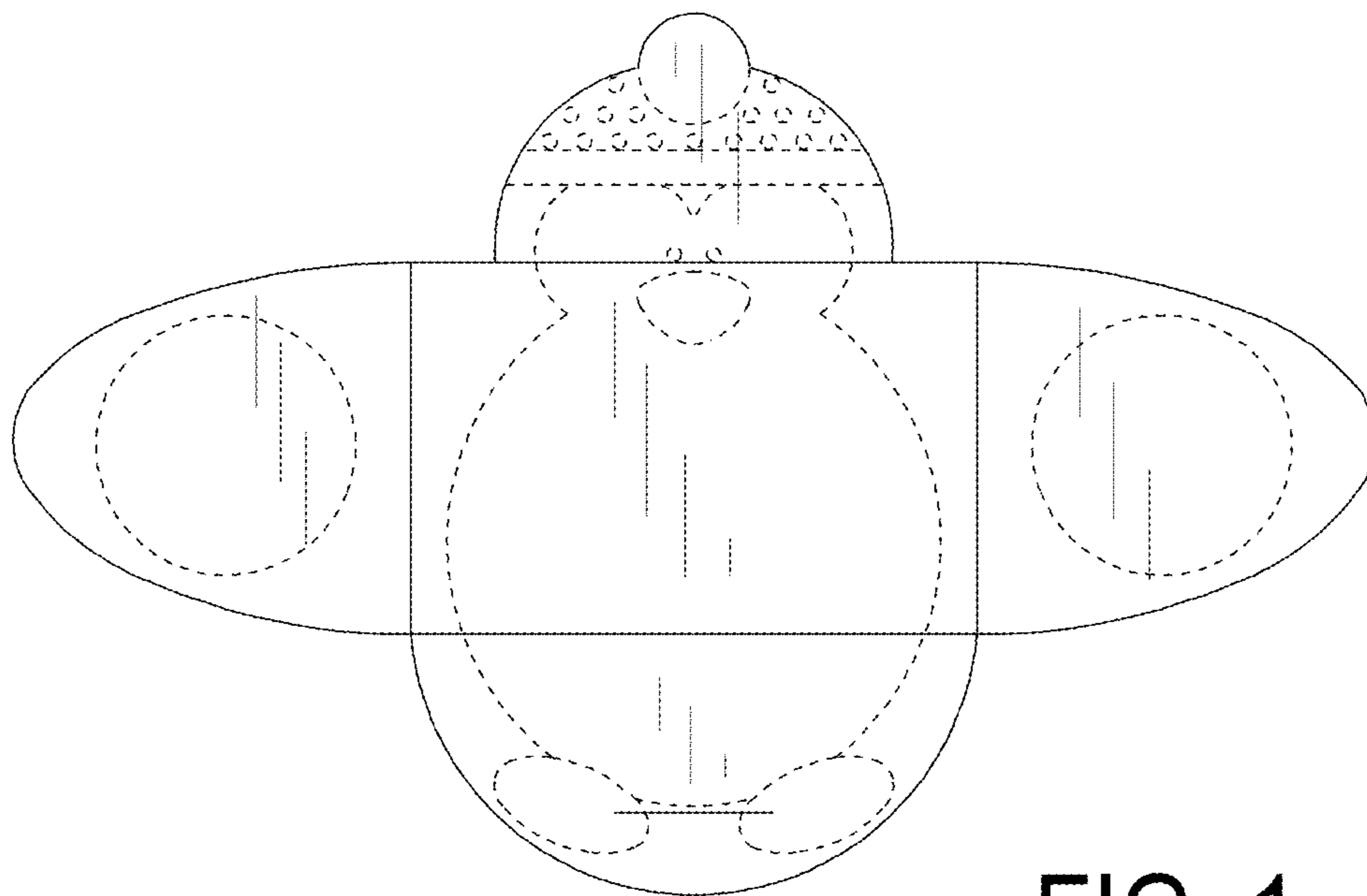


FIG. 1

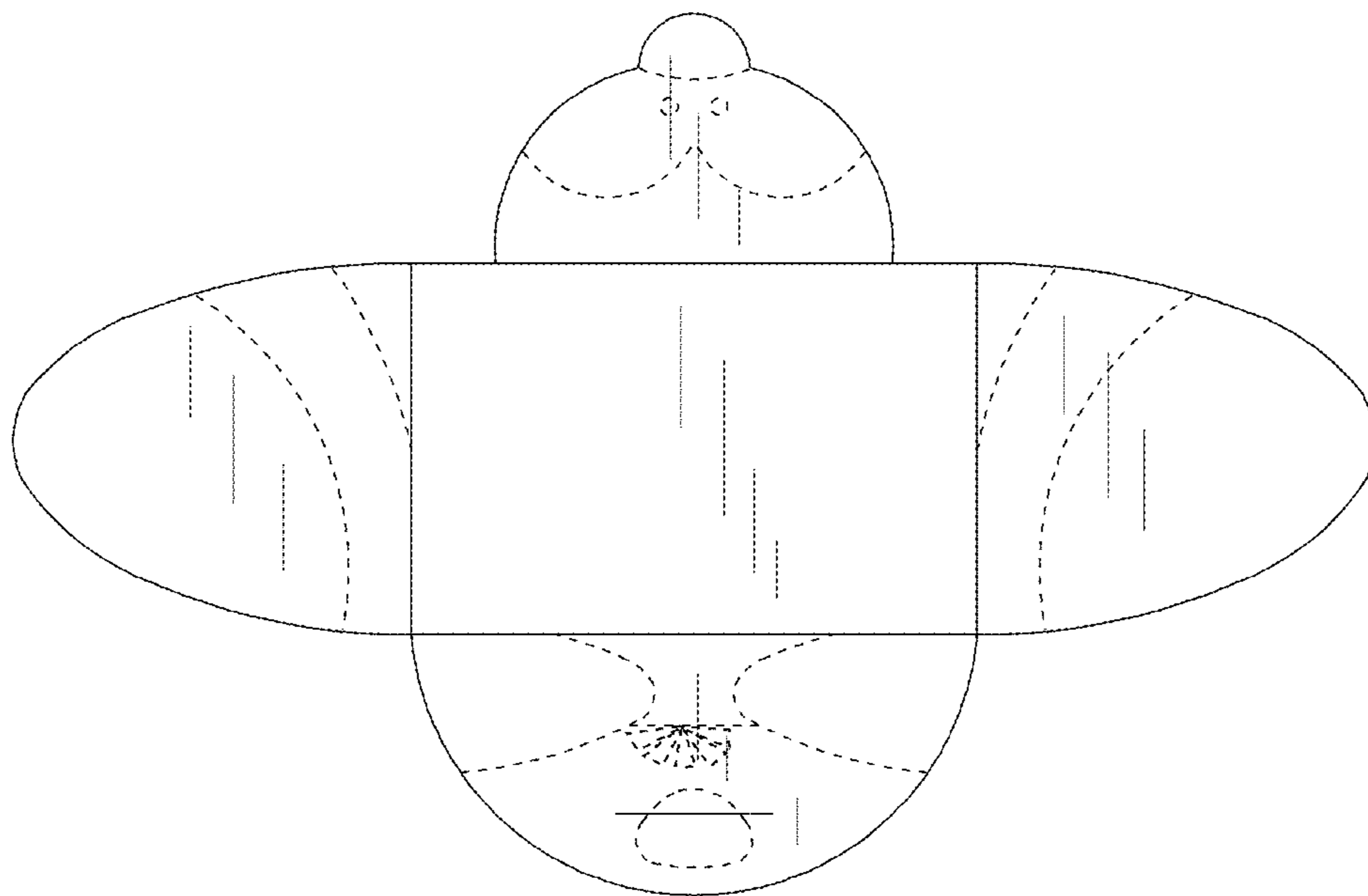


FIG. 2

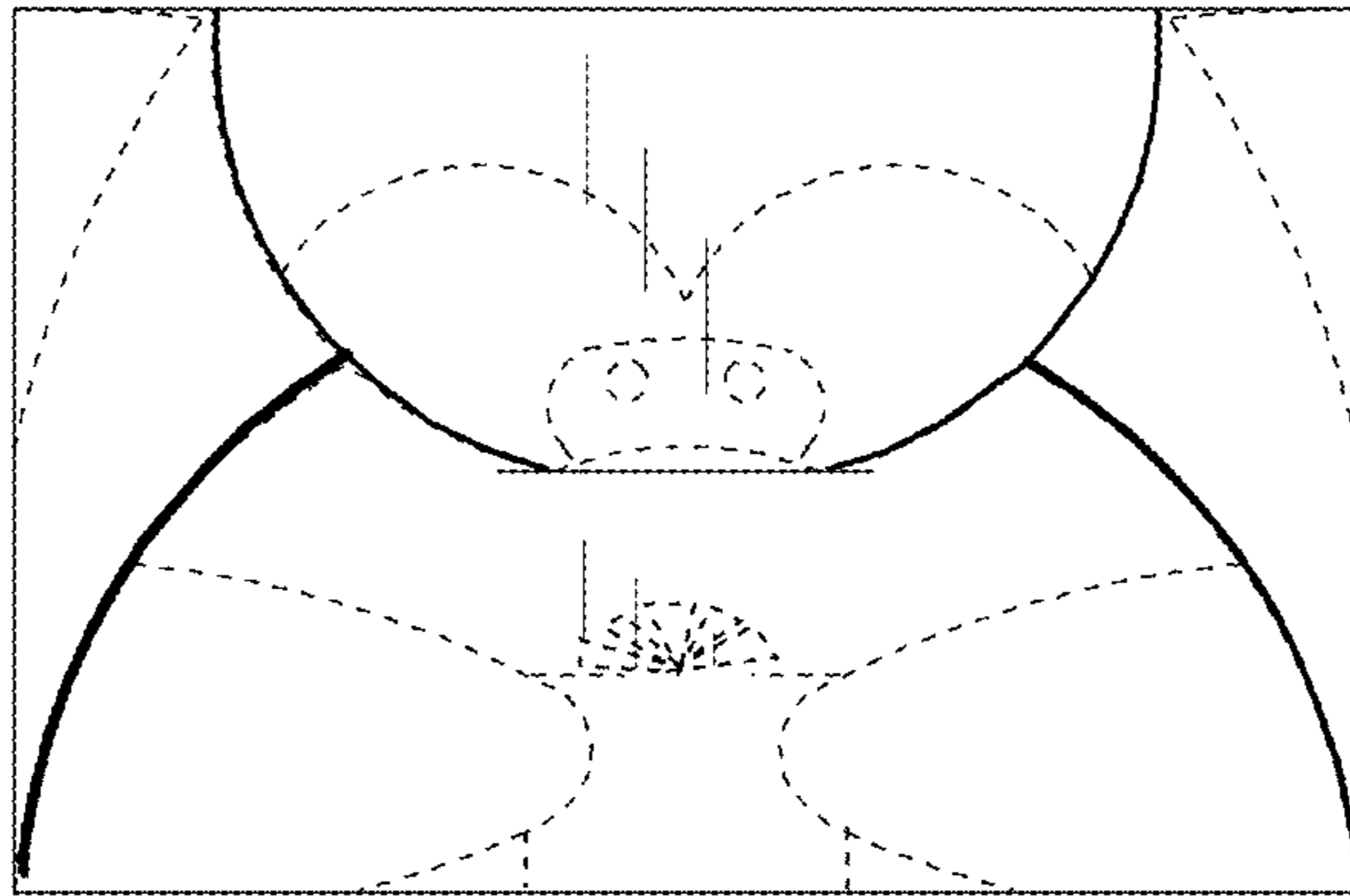


FIG. 3



FIG. 4



FIG. 5

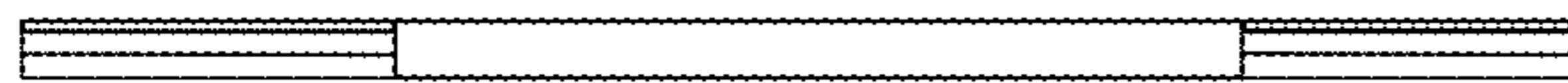


FIG. 6

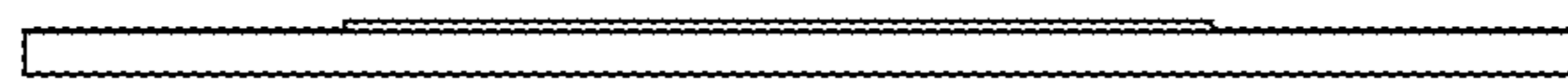


FIG. 7