

US00D775275S

(12) **United States Design Patent**
Takahashi

(10) **Patent No.:** **US D775,275 S**
(45) **Date of Patent:** **** Dec. 27, 2016**

(54) **BAR CODE PRINTER**

(71) Applicant: **SATO HOLDINGS KABUSHIKI KAISHA**, Tokyo (JP)

(72) Inventor: **Keiichiro Takahashi**, Tokyo (JP)

(73) Assignee: **SATO HOLDINGS KABUSHIKI KAISHA**, Tokyo (JP)

(**) Term: **14 Years**

(21) Appl. No.: **29/510,588**

(22) Filed: **Dec. 1, 2014**

(30) **Foreign Application Priority Data**

Jul. 4, 2014 (JP) 2014-014731

(51) **LOC (10) Cl.** **14-02**

(52) **U.S. Cl.**
USPC **D18/50**

(58) **Field of Classification Search**
USPC D18/4.4, 4.5, 4.6, 14, 19, 36-39, 50, 54,
D18/54.1, 55

CPC B41J 3/4075; B41J 11/58; B41J 15/12;
B41J 15/042; B41J 17/00; B41J
29/02; B41J 29/08

See application file for complete search history.

(56) **References Cited**

U.S. PATENT DOCUMENTS

4,884,904 A * 12/1989 Berquist G06K 1/121
D18/50
5,078,518 A * 1/1992 Ono G09F 3/0298
400/103
5,092,688 A * 3/1992 Haennelt G06K 1/121
400/613

D325,927 S * 5/1992 Fushiya D18/54
D393,278 S * 4/1998 Lee D18/14
D406,160 S * 2/1999 Davis D18/14
6,428,220 B1 * 8/2002 Arnold G06K 1/121
400/103
7,600,684 B2 * 10/2009 Tobin B41J 2/32
400/613
D622,760 S * 8/2010 Kimura D18/50

* cited by examiner

Primary Examiner — Cathy Anne MacCormac

(74) *Attorney, Agent, or Firm* — Andrew F. Young, Esq.;
Lackebach Siegel, LLP

(57) **CLAIM**

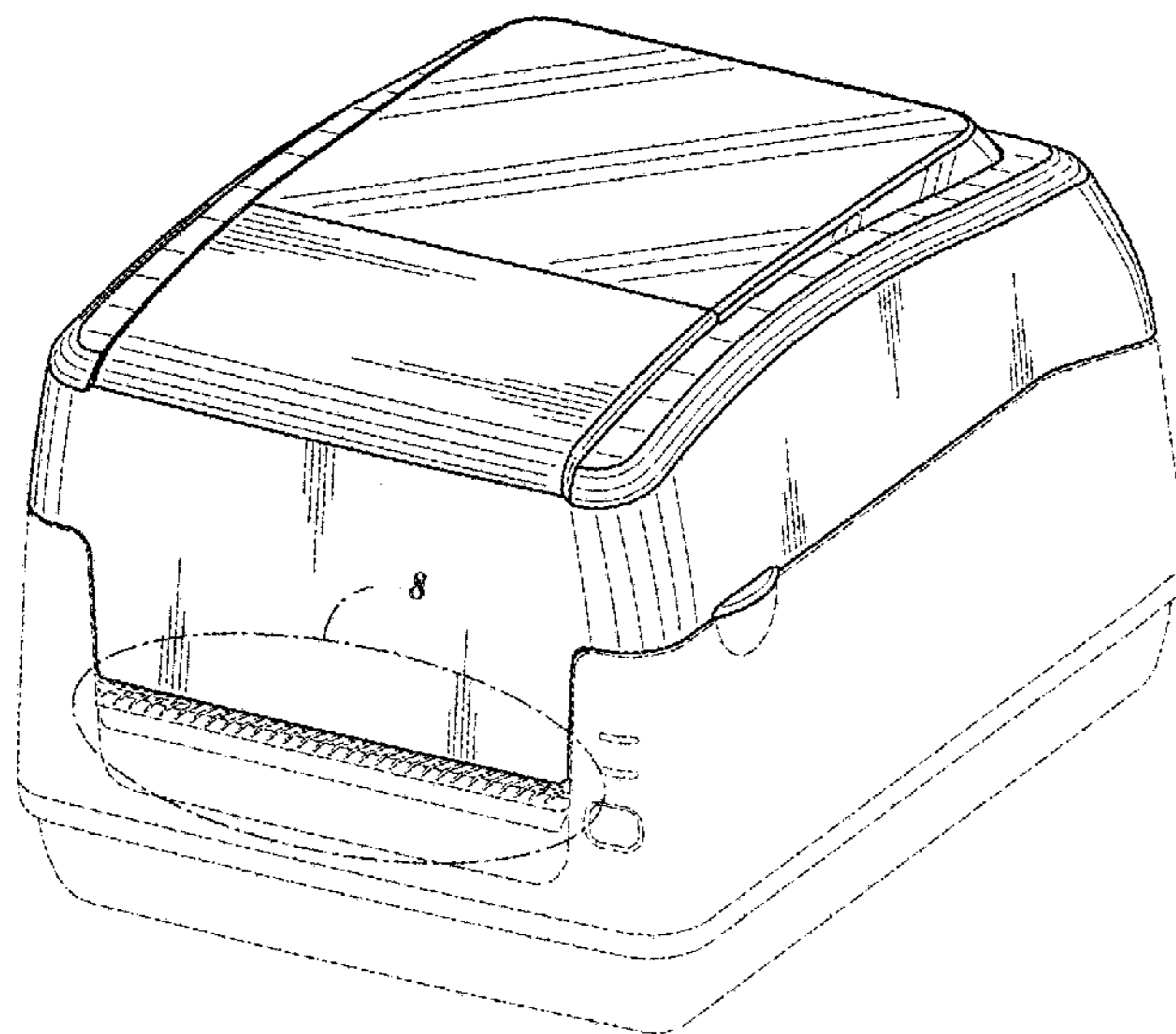
The ornamental design for a bar code printer, as shown and described.

DESCRIPTION

FIG. 1 is a front perspective view of the present invention.
FIG. 2 is a rear perspective view of FIG. 1.
FIG. 3 is a front elevation view of FIG. 1.
FIG. 4 is a rear elevation view of FIG. 1.
FIG. 5 is a top plan view of FIG. 1.
FIG. 6 is a right side elevation view of FIG. 1.
FIG. 7 is a left side elevation view of FIG. 1; and,
FIG. 8 is a partial front detail perspective view thereof.
The bottom of the bar code printer is not shown and is not claimed.

The broken line and dashed lines indicate disclaimed subject matter for environmental and for illustrative purposes only and form no part of the claimed design. There is no claim to portions that are not shown. The dot-dash broken line encircling the detailed view on FIGS. 1 and 8 does not form any part of the claimed invention.

1 Claim, 8 Drawing Sheets



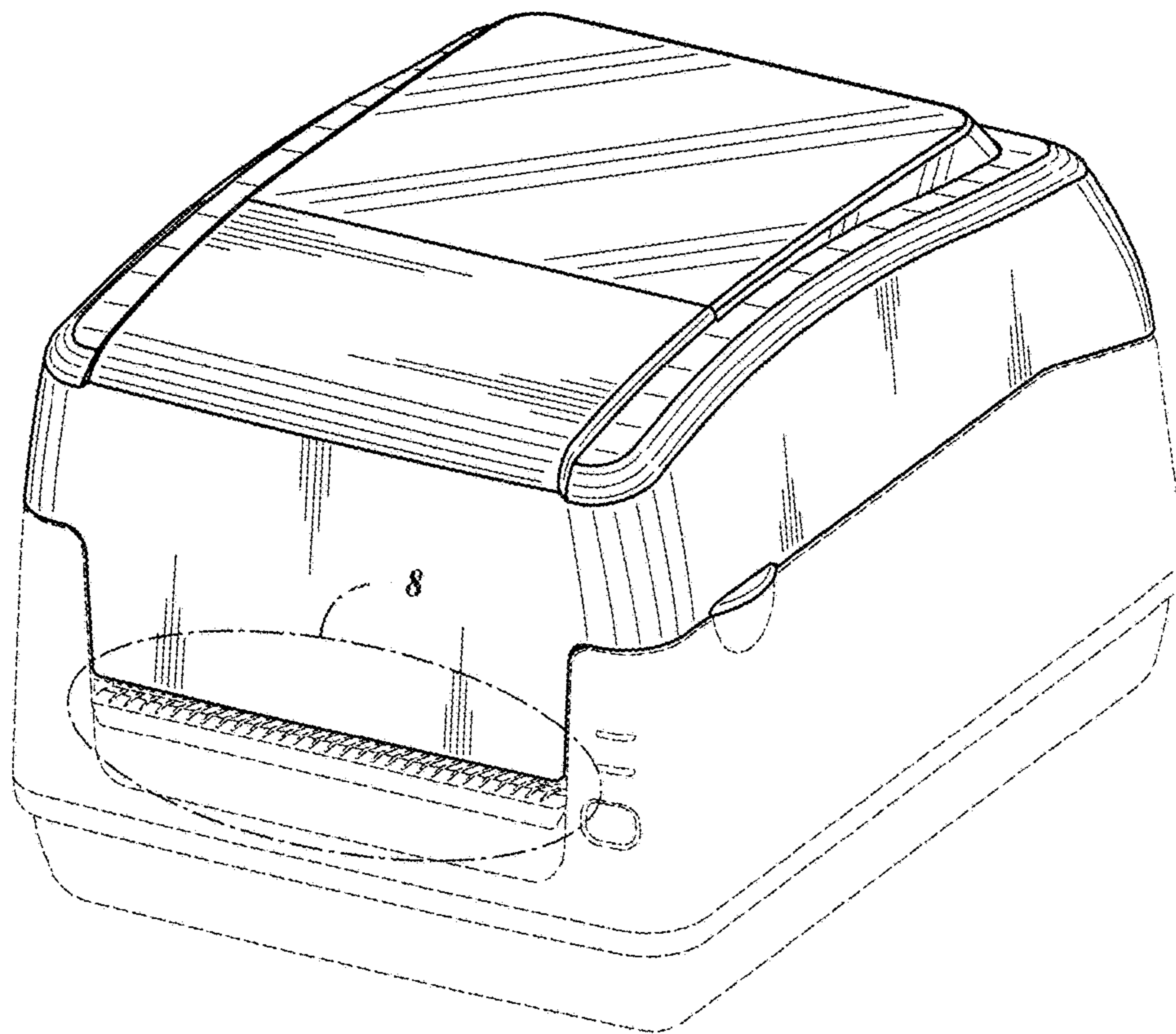


FIG. 1

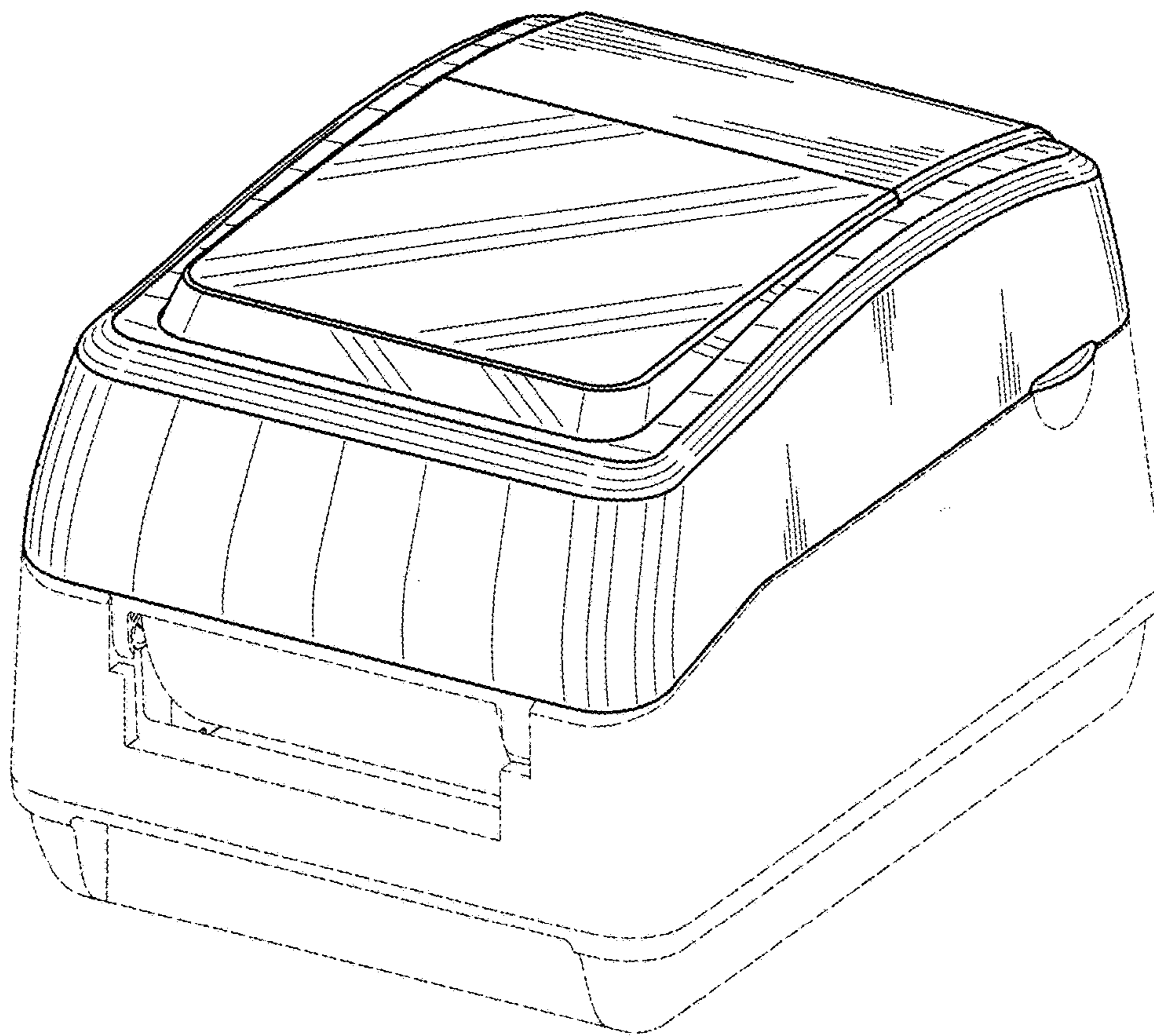


FIG. 2

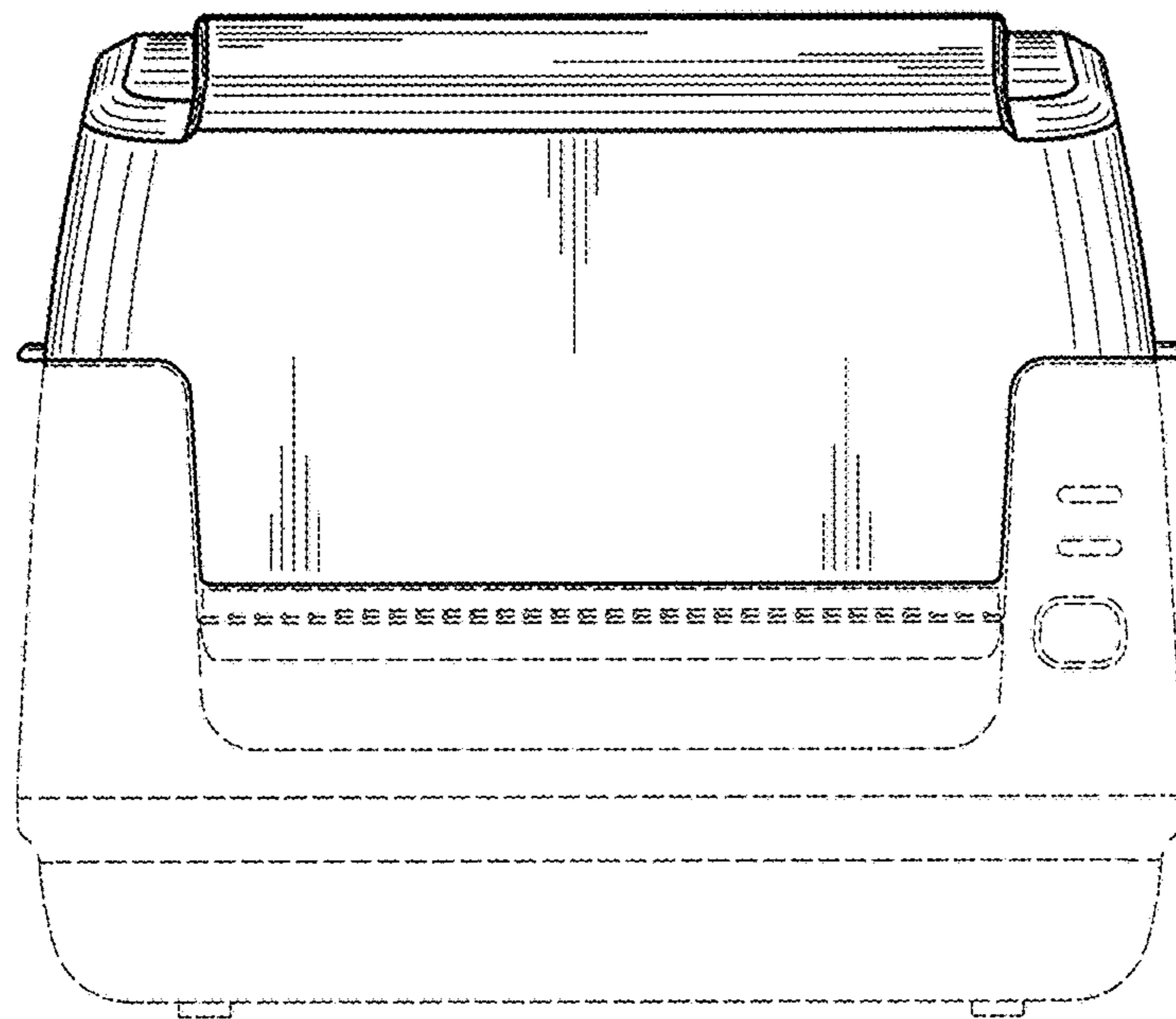


FIG. 3

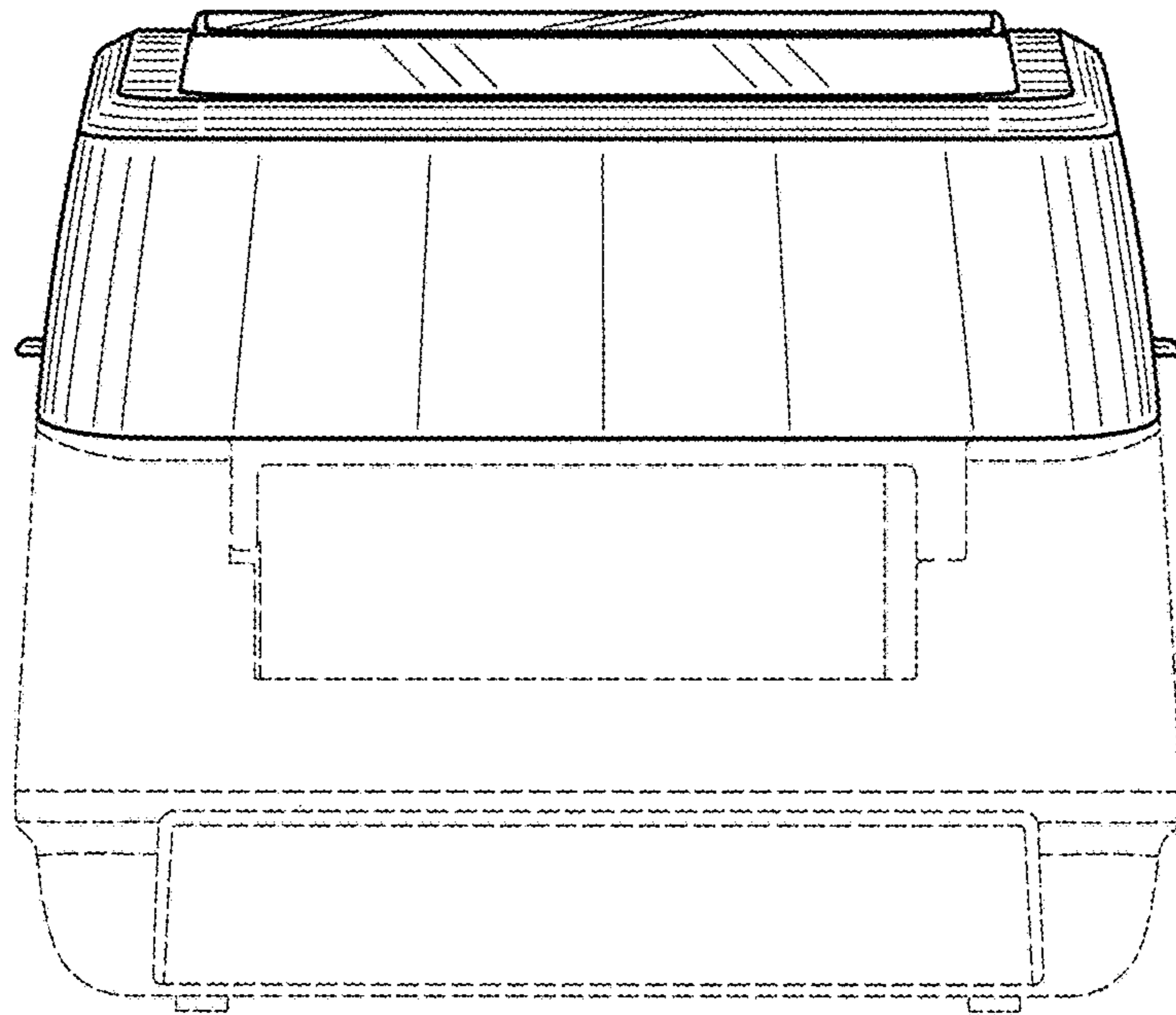


FIG. 4

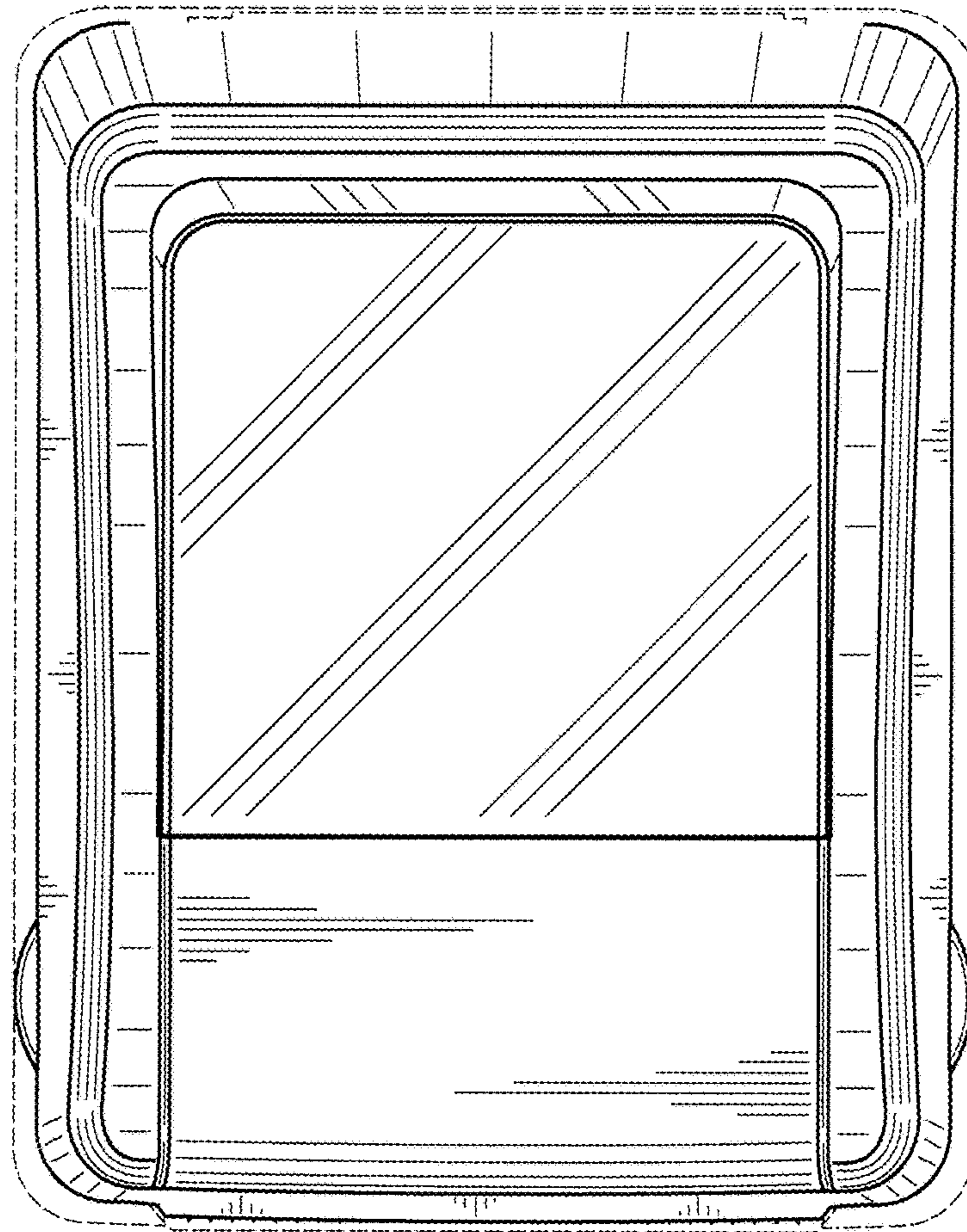


FIG. 5

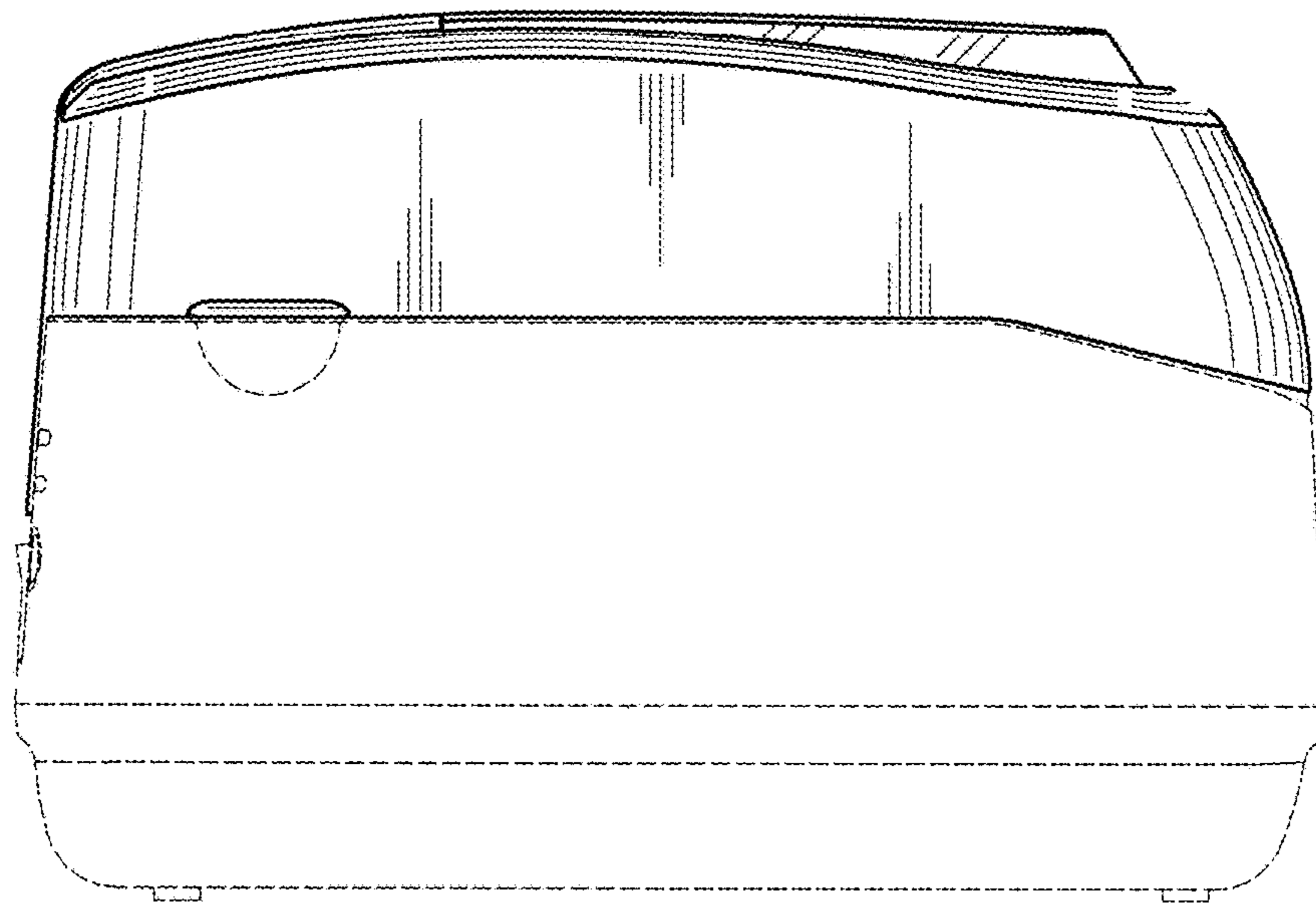


FIG. 6

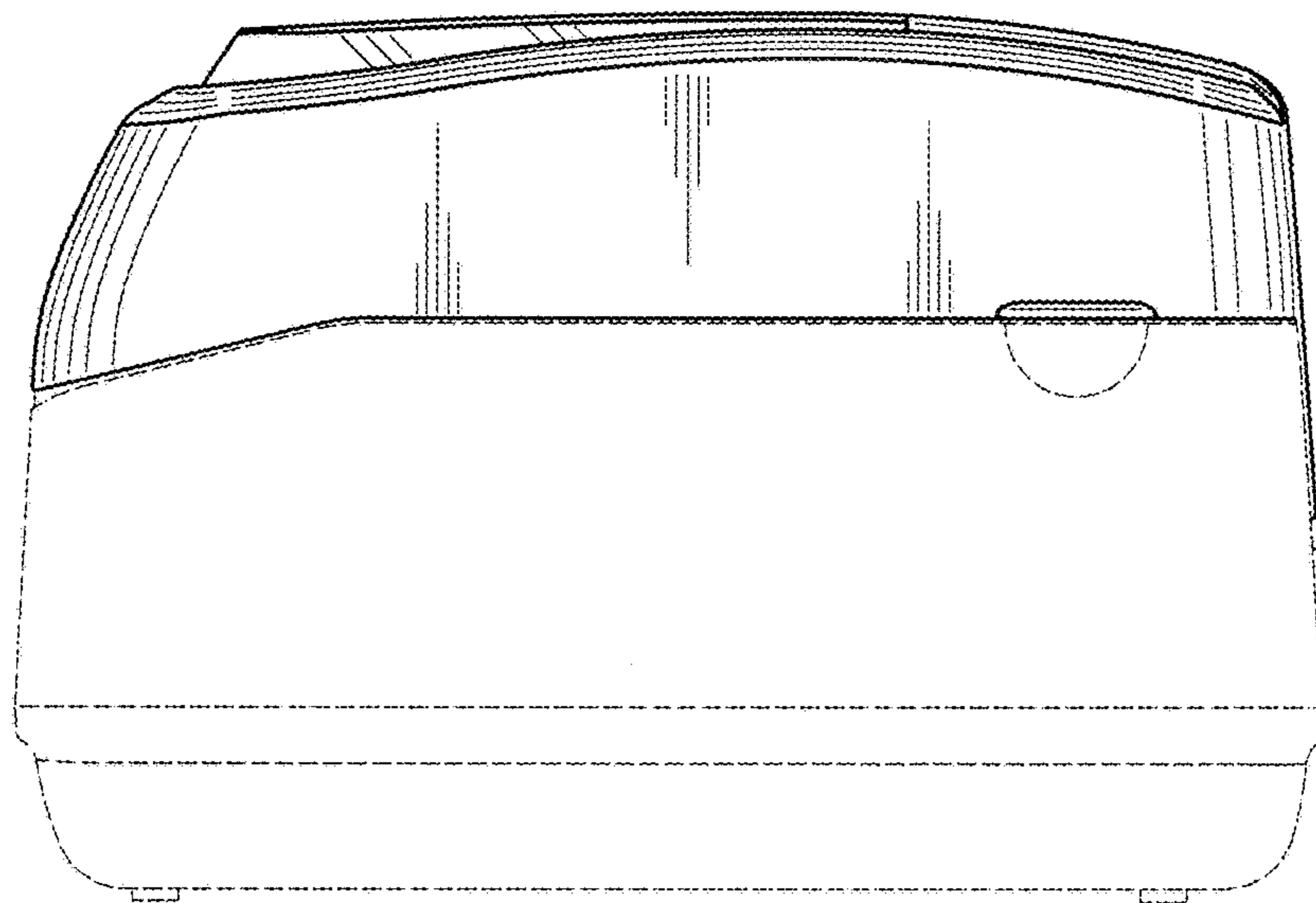


FIG. 7

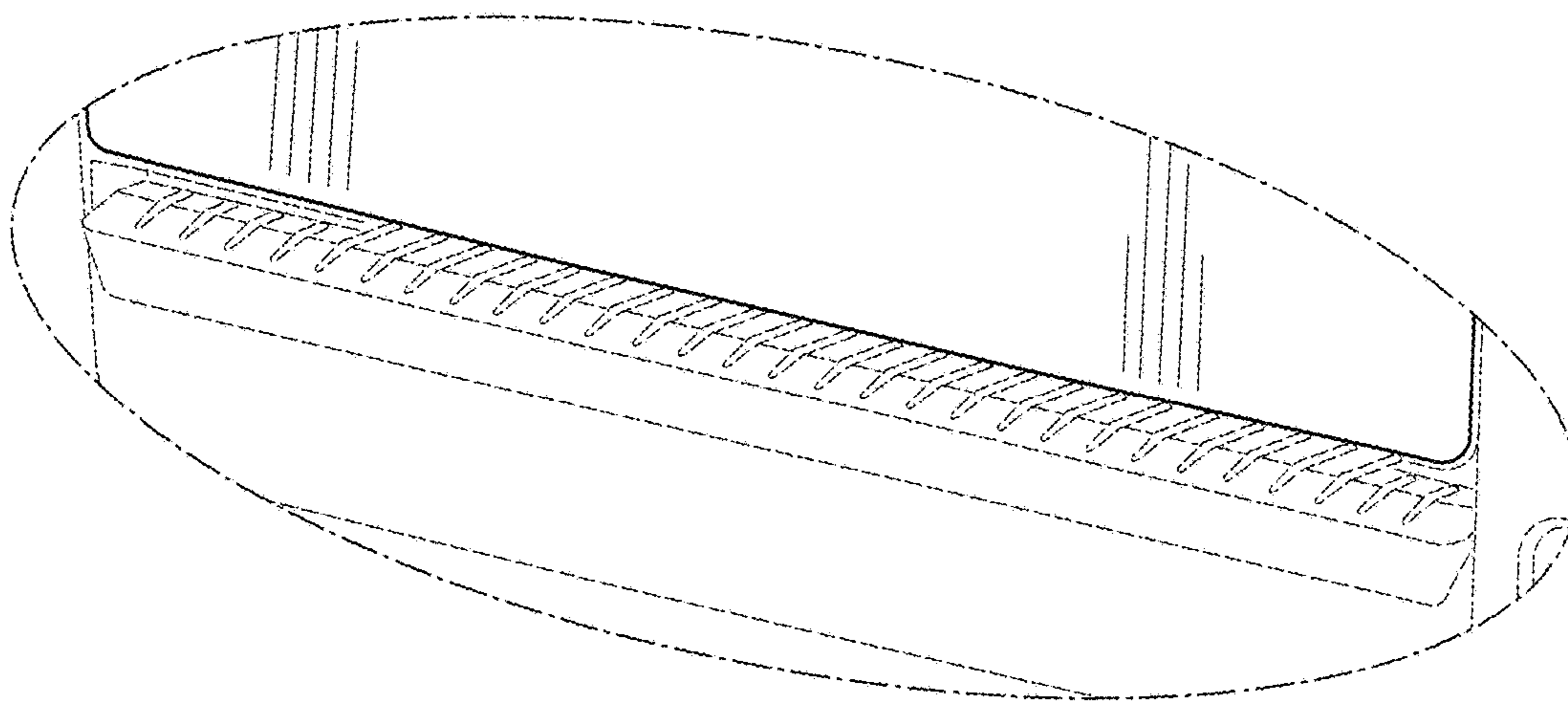


FIG. 8