



US00D775273S

(12) **United States Design Patent**
Hennessey

(10) **Patent No.:** **US D775,273 S**
(45) **Date of Patent:** **** Dec. 27, 2016**

- (54) **STAND FOR STRINGED INSTRUMENT**
- (71) Applicant: **James R. Hennessey**, West Hartford, CT (US)
- (72) Inventor: **James R. Hennessey**, West Hartford, CT (US)
- (73) Assignee: **The Music People, Inc.**, Berlin, CT (US)
- (**) Term: **15 Years**
- (21) Appl. No.: **29/545,596**
- (22) Filed: **Nov. 13, 2015**
- (51) **LOC (10) Cl.** **17-99**
- (52) **U.S. Cl.**
USPC **D17/99**
- (58) **Field of Classification Search**
USPC D6/674, 682; D11/157; D14/447, D14/251-235, 457-461; 248/121, 168, 125.8; 84/327; 211/1, 2, 13.1, 59.1, 85.2, 85.6, 211/189; D17/20, 99
CPC A47B 19/00; A47F 1/00; A47F 5/02; A47F 5/0876; A47F 7/0021; A47F 7/0064; A47F 5/10
See application file for complete search history.

5,165,631	A *	11/1992	Norsworthy	A47B 19/002	248/121
D353,729	S *	12/1994	MacOwan	D6/682	
D392,123	S *	3/1998	Lynch	D17/99	
D396,579	S *	8/1998	Kalayjian	D6/682	
5,826,843	A *	10/1998	Sturm	A47F 7/0071	211/13.1
D400,734	S *	11/1998	Dotson	D6/674	
D407,240	S *	3/1999	Payne	D17/99	
D408,653	S *	4/1999	Dotson	D6/674	
D411,698	S *	6/1999	Kalayjian	D17/99	
D440,904	S *	4/2001	Farrow	D11/157	
6,666,427	B2 *	12/2003	Hennessey	F16M 11/28	248/125.8
6,835,883	B2 *	12/2004	Stevens	F16M 11/00	84/327
D613,524	S *	4/2010	Jeffers	D6/682	
D688,072	S	8/2013	Hennessey			
D758,769	S *	6/2016	Terpening	D6/682	
2005/0178736	A1 *	8/2005	Wilfong	B65D 83/08	211/59.1

* cited by examiner

Primary Examiner — Manpreet Matharu
Assistant Examiner — Keith Wilson
(74) *Attorney, Agent, or Firm* — Whitmyer IP Group LLC

(57) **CLAIM**

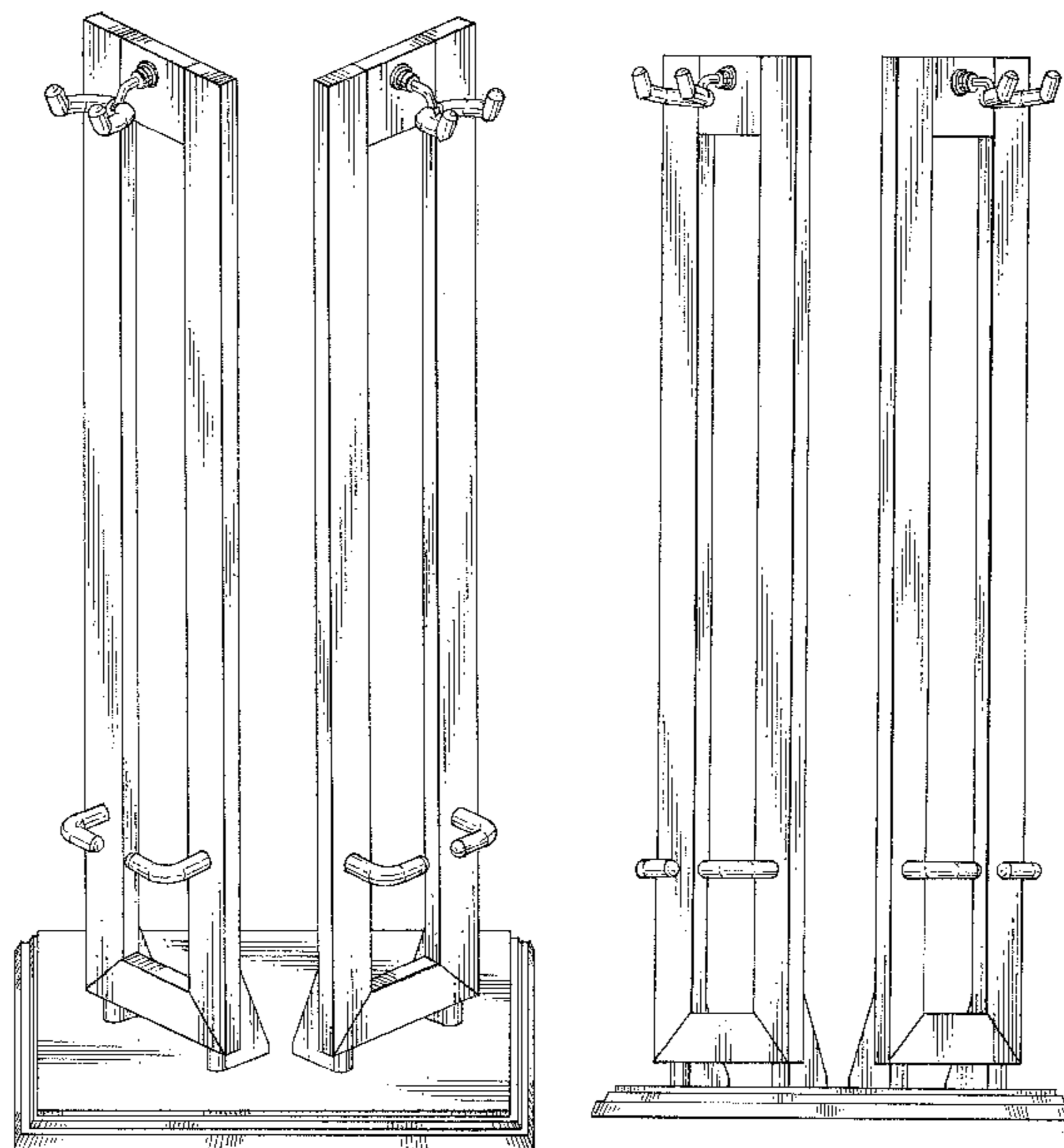
The ornamental design for a stand for stringed instrument, as shown and described.

DESCRIPTION

FIG. 1 is a front perspective view of a stand for stringed instrument in accordance with the new design;
FIG. 2 is a front view thereof;
FIG. 3 is a rear view thereof;
FIG. 4 is a side view thereof;
FIG. 5 is a top view thereof; and,
FIG. 6 is a bottom view thereof.

1 Claim, 6 Drawing Sheets

- (56) **References Cited**
U.S. PATENT DOCUMENTS
- 3,737,137 A * 6/1973 Sheehan G10G 5/00 248/121
- D261,707 S * 11/1981 Mears D17/20
- D286,476 S * 11/1986 Adams D23/403
- 4,691,610 A * 9/1987 Gilbert F16M 11/22 248/168
- D329,342 S * 9/1992 Schoenig D17/99



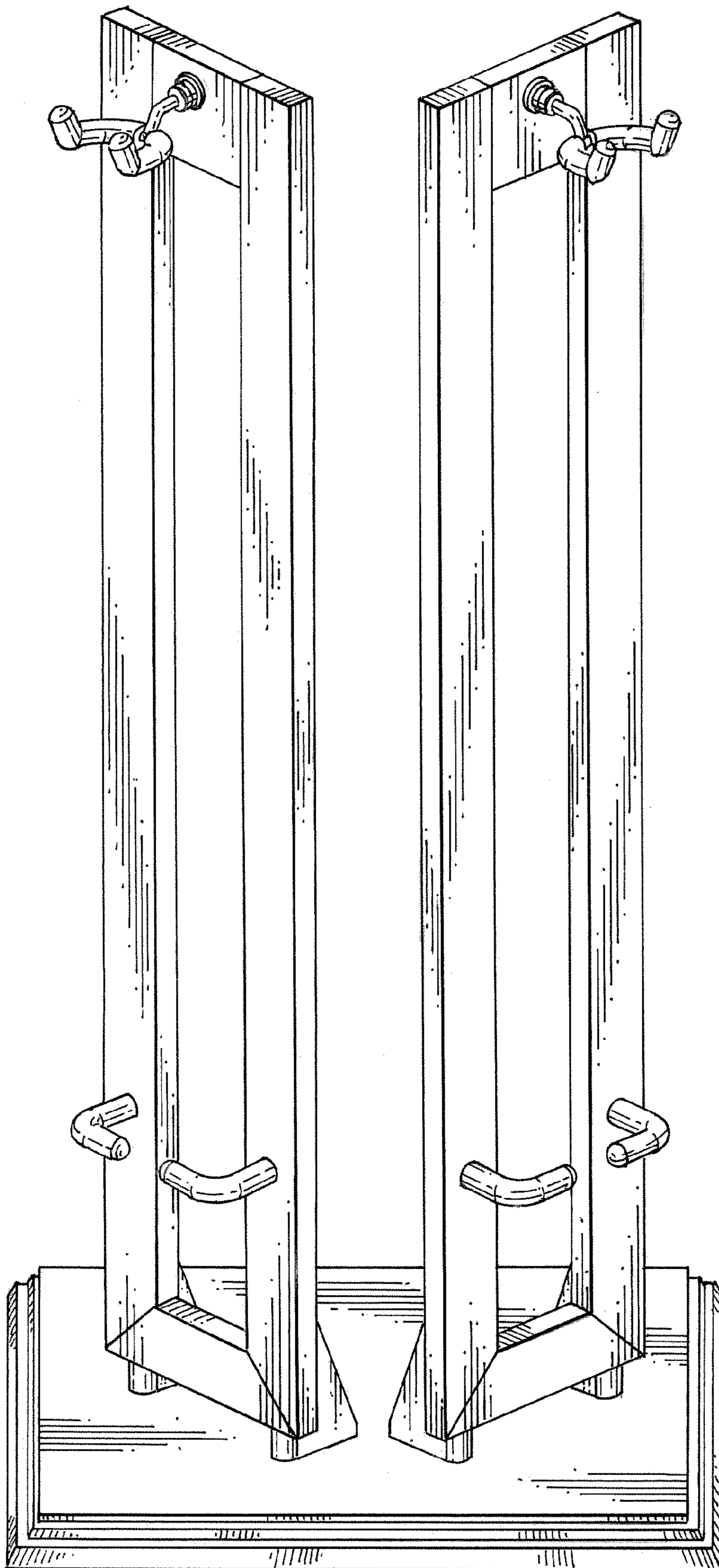


FIG. 1

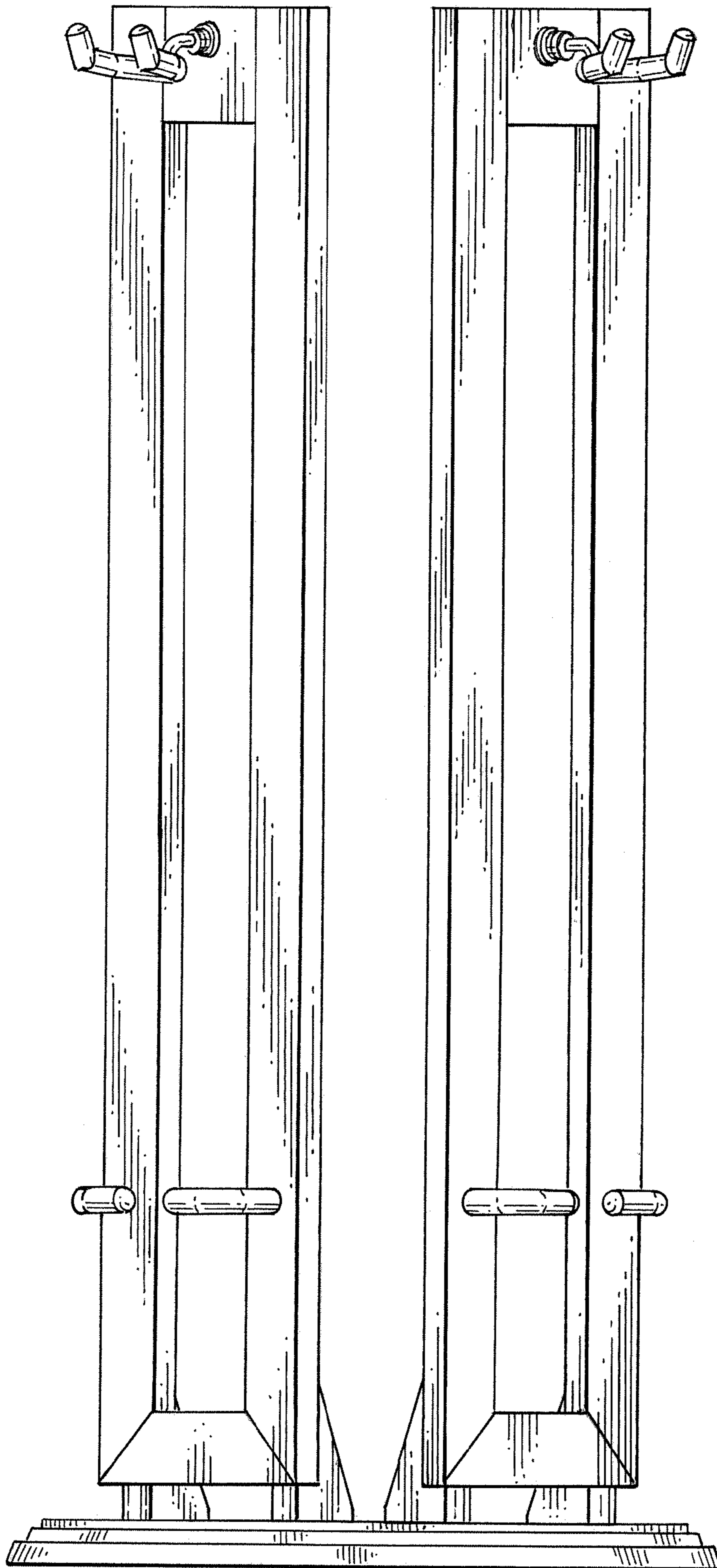


FIG. 2

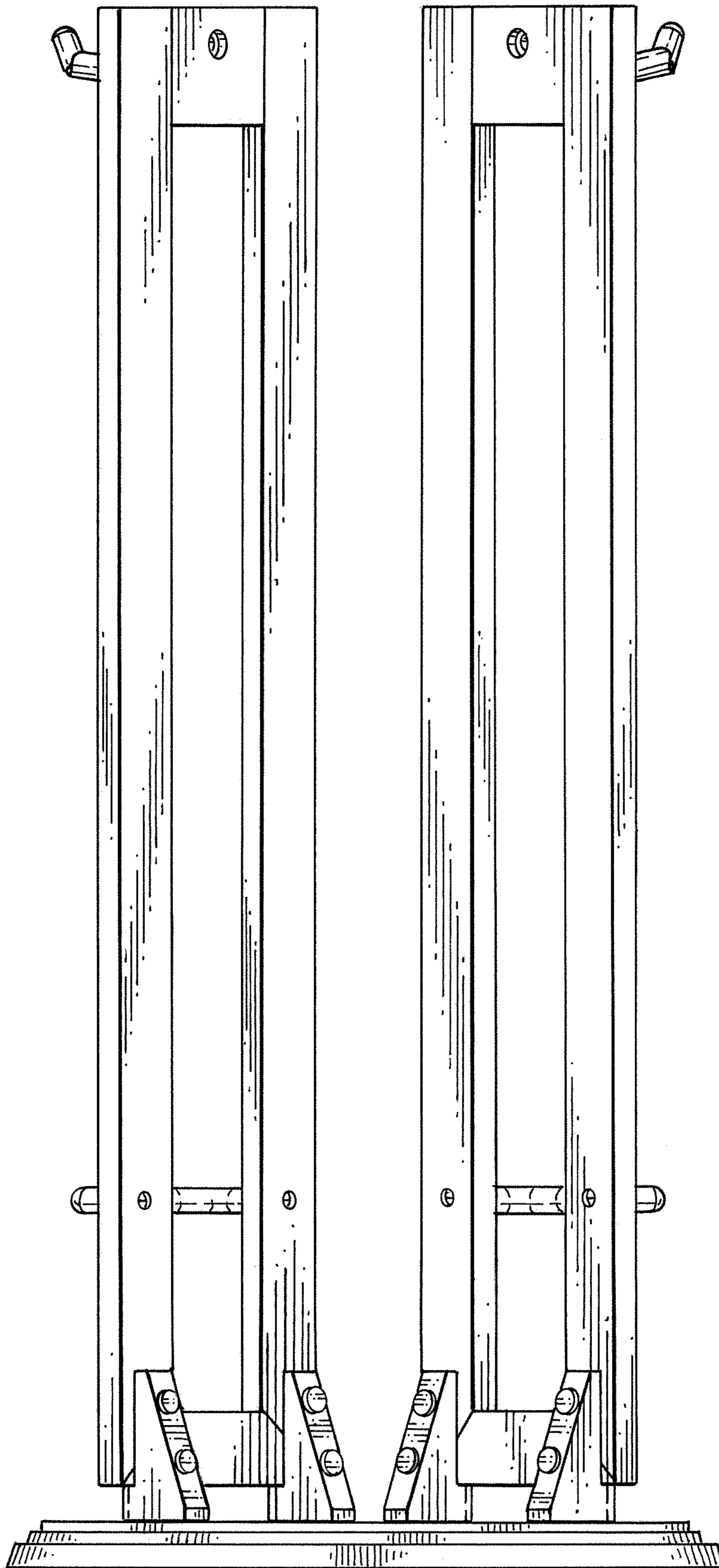


FIG. 3

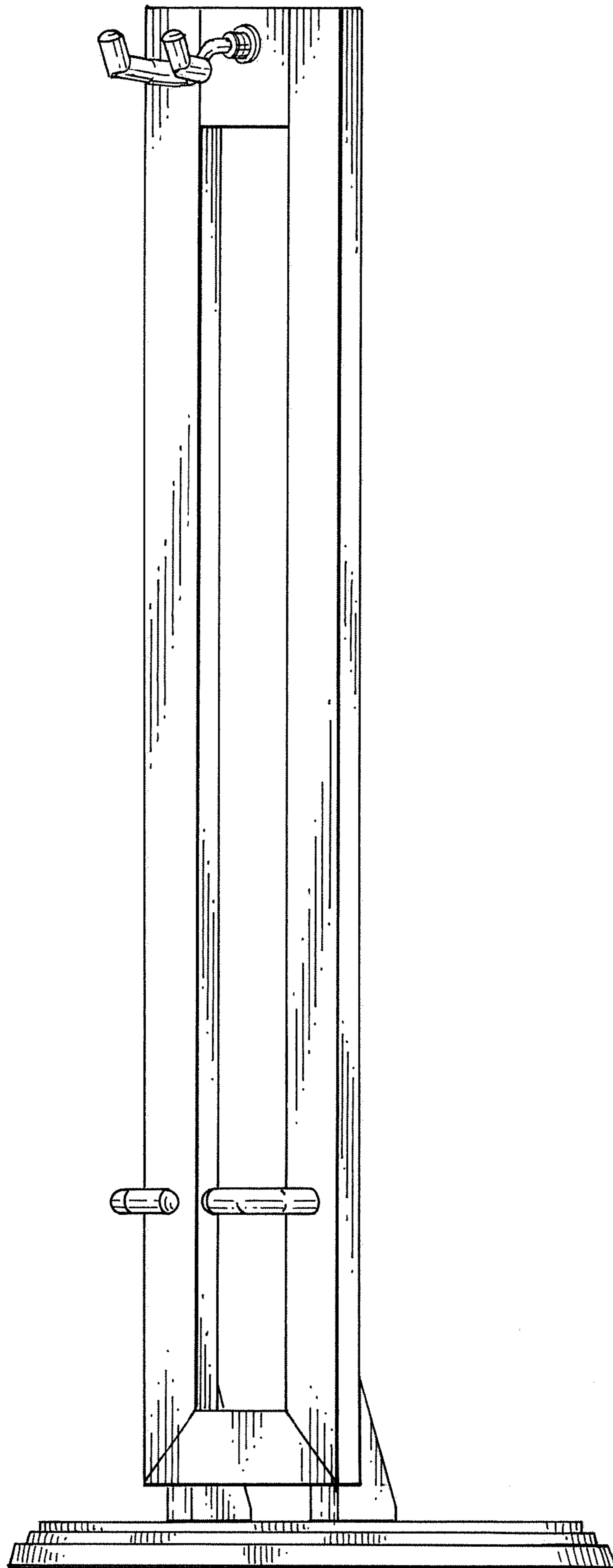


FIG. 4

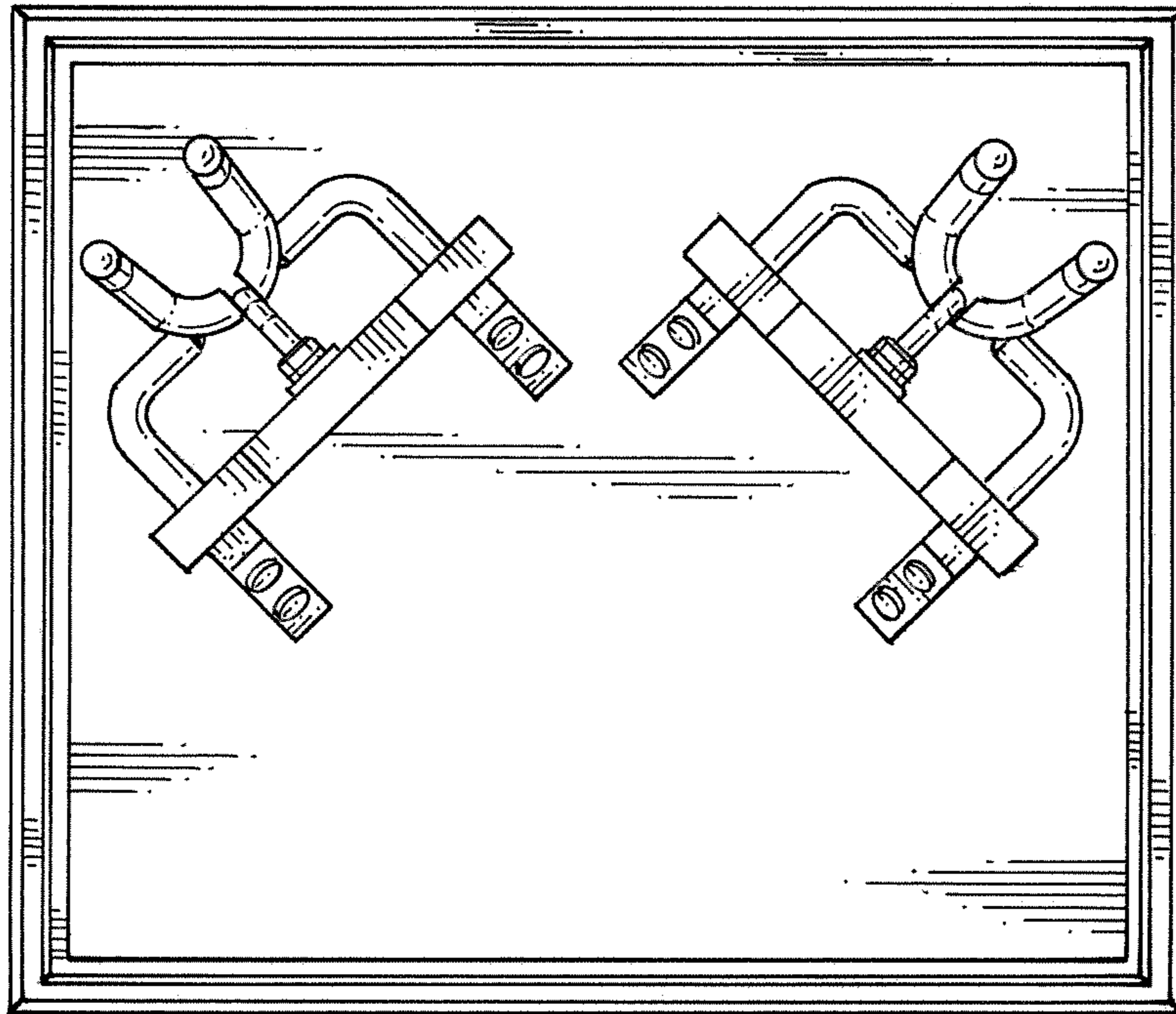


FIG. 5

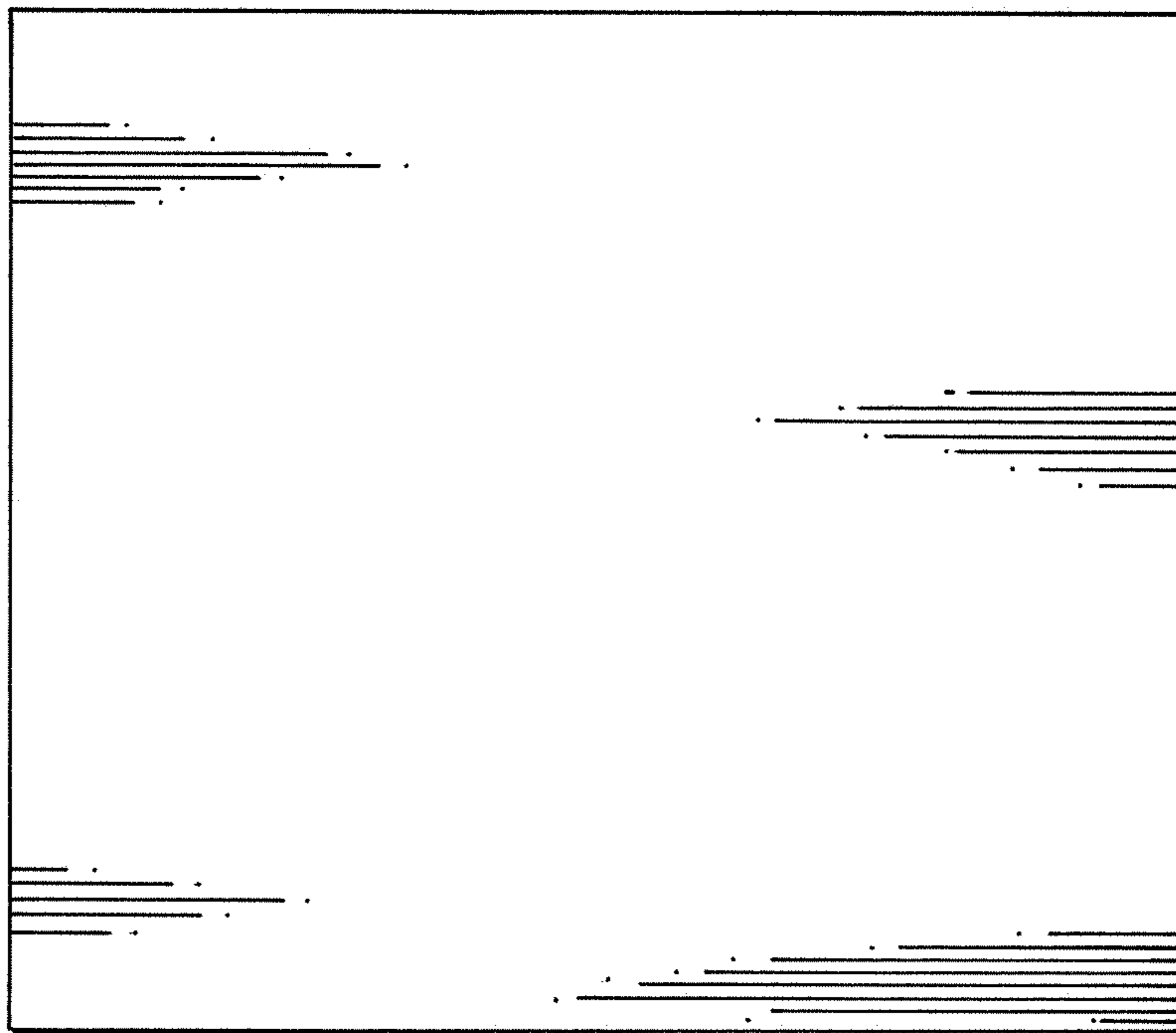


FIG. 6