



US00D775272S

(12) **United States Design Patent**  
**Hennessey**

(10) **Patent No.:** **US D775,272 S**  
(45) **Date of Patent:** **\*\* Dec. 27, 2016**

- (54) **STAND FOR STRINGED INSTRUMENT**
- (71) Applicant: **James R. Hennessey**, West Hartford, CT (US)
- (72) Inventor: **James R. Hennessey**, West Hartford, CT (US)
- (73) Assignee: **The Music People, Inc.**, Berlin, CT (US)
- (\*\*) Term: **15 Years**
- (21) Appl. No.: **29/545,588**
- (22) Filed: **Nov. 13, 2015**
- (51) **LOC (10) Cl.** ..... **17-99**
- (52) **U.S. Cl.**  
USPC ..... **D17/99**
- (58) **Field of Classification Search**  
USPC ..... D6/674, 682; D11/157; D14/447, D14/251-235, 457-461; 248/121, 168, 248/125.8; 84/327; 211/1, 2, 13.1, 59.1, 211/85.2, 85.6, 189; D17/20, 99  
CPC ..... A47B 19/00; A47F 1/00; A47F 5/02; A47F 5/0876; A47F 7/0021; A47F 7/0064; A47F 5/10  
See application file for complete search history.

- (56) **References Cited**  
U.S. PATENT DOCUMENTS
- 3,737,137 A \* 6/1973 Sheehan ..... G10G 5/00 248/121
- D261,707 S \* 11/1981 Mears ..... D17/20
- D286,476 S \* 11/1986 Adams ..... D23/403
- 4,691,610 A \* 9/1987 Gilbert ..... F16M 11/22 248/168
- D329,342 S \* 9/1992 Schoenig ..... D17/99

- 5,165,631 A \* 11/1992 Norsworthy ..... A47B 19/002 248/121
- D353,729 S \* 12/1994 MacOwan ..... D6/682
- D392,123 S \* 3/1998 Lynch ..... D17/99
- D396,579 S \* 8/1998 Kalayjian ..... D6/682
- 5,826,843 A \* 10/1998 Sturm ..... A47F 7/0071 211/13.1
- D400,734 S \* 11/1998 Dotson ..... D6/674
- D407,240 S \* 3/1999 Payne ..... D17/99
- D408,653 S \* 4/1999 Dotson ..... D6/674
- D411,698 S \* 6/1999 Kalayjian ..... D17/99
- D440,904 S \* 4/2001 Farrow ..... D11/157
- 6,666,427 B2 \* 12/2003 Hennessey ..... F16M 11/28 248/125.8
- 6,835,883 B2 \* 12/2004 Stevens ..... F16M 11/00 84/327
- D613,524 S \* 4/2010 Jeffers ..... D6/682
- D688,072 S 8/2013 Hennessey
- D758,769 S \* 6/2016 Terpening ..... D6/682
- 2005/0178736 A1 \* 8/2005 Wilfong ..... B65D 83/08 211/59.1

\* cited by examiner

*Primary Examiner* — Manpreet Matharu  
*Assistant Examiner* — Keith Wilson  
(74) *Attorney, Agent, or Firm* — Whitmyer IP Group LLC

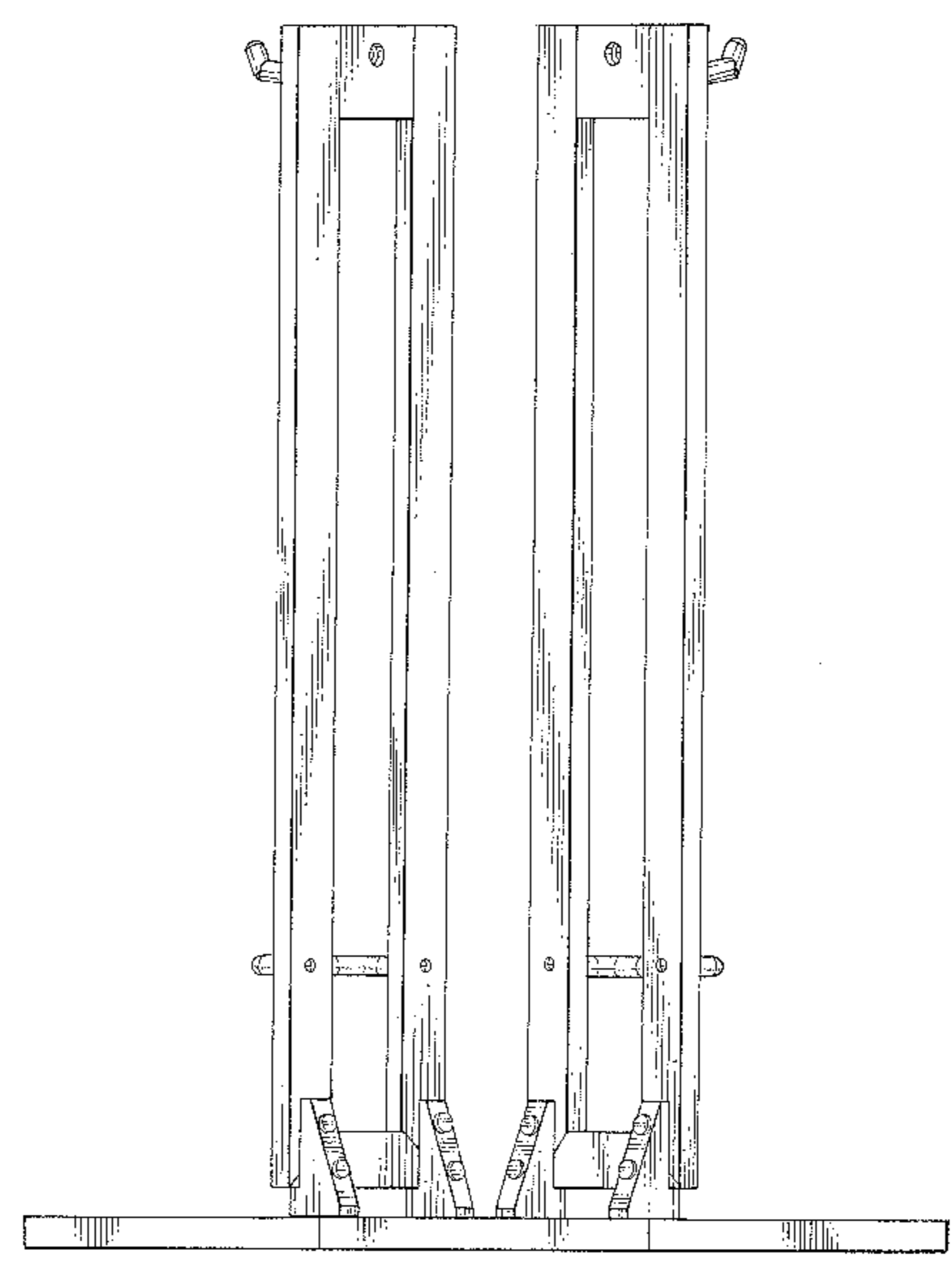
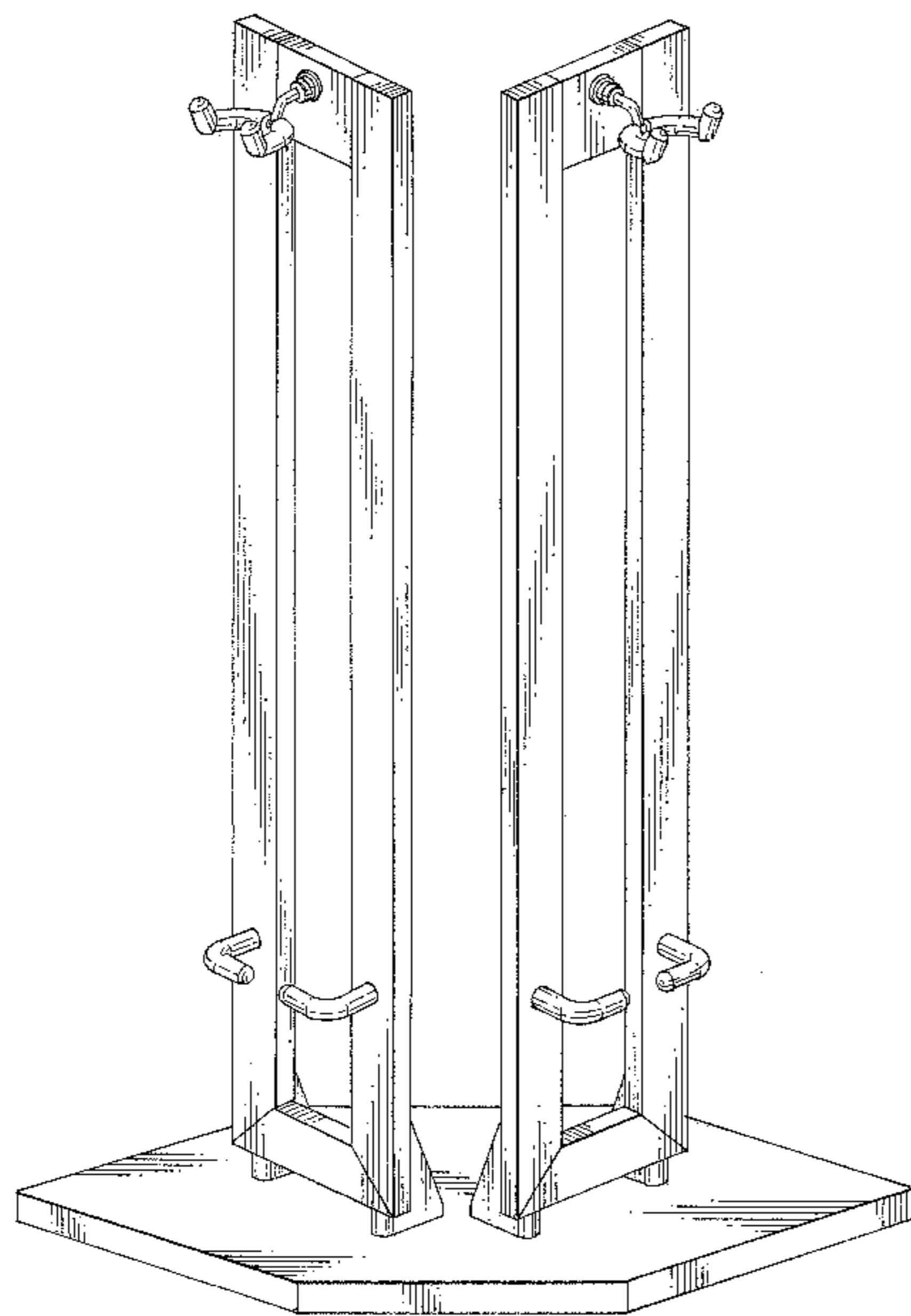
(57) **CLAIM**

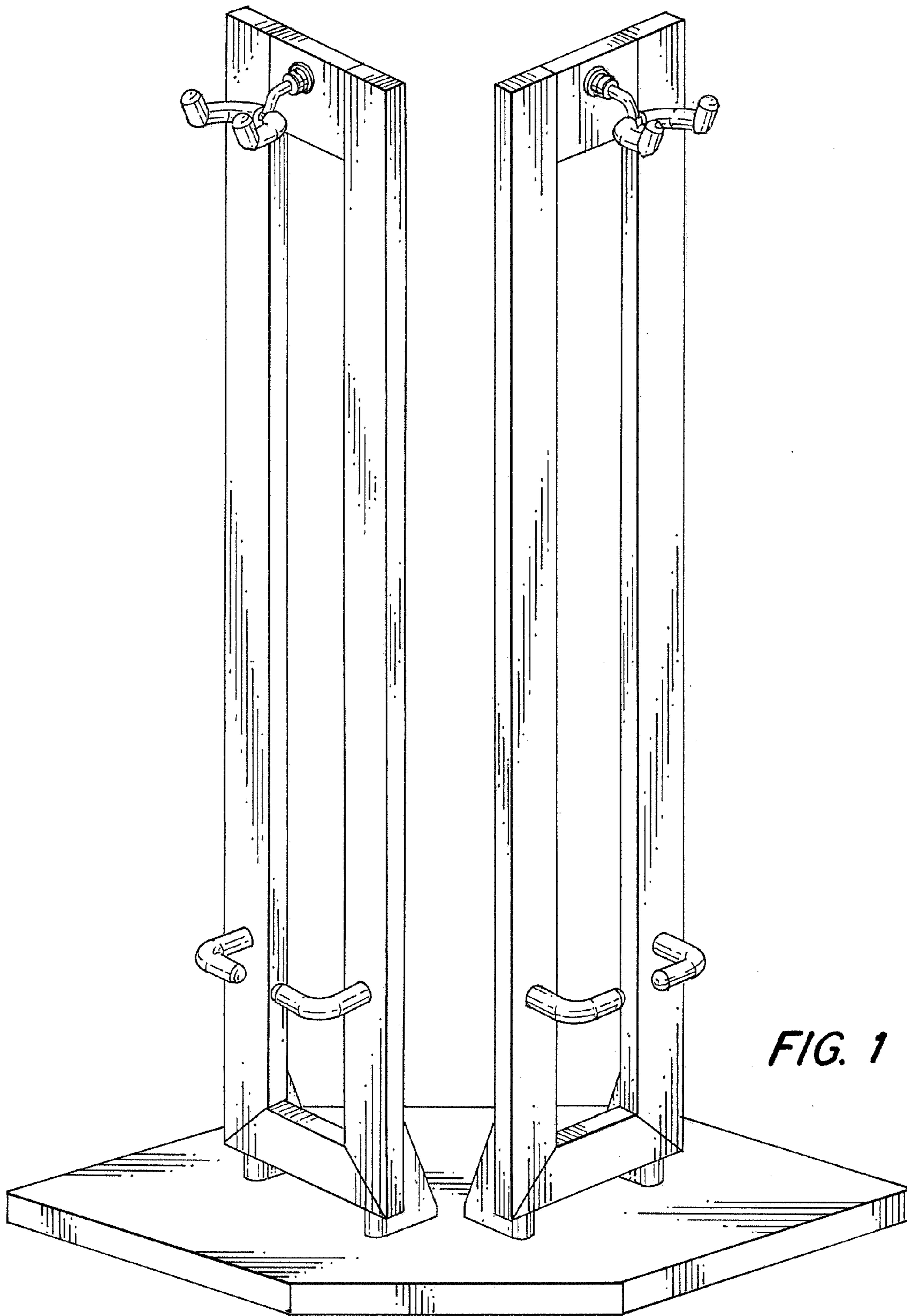
The ornamental design for a stand for stringed instrument, as shown and described.

**DESCRIPTION**

FIG. 1 is a front perspective view of a stand for stringed instrument in accordance with the new design;  
FIG. 2 is a rear view thereof;  
FIG. 3 is a front view thereof;  
FIG. 4 is a side view thereof;  
FIG. 5 is a top view thereof; and,  
FIG. 6 is a bottom view thereof.

**1 Claim, 6 Drawing Sheets**





*FIG. 1*

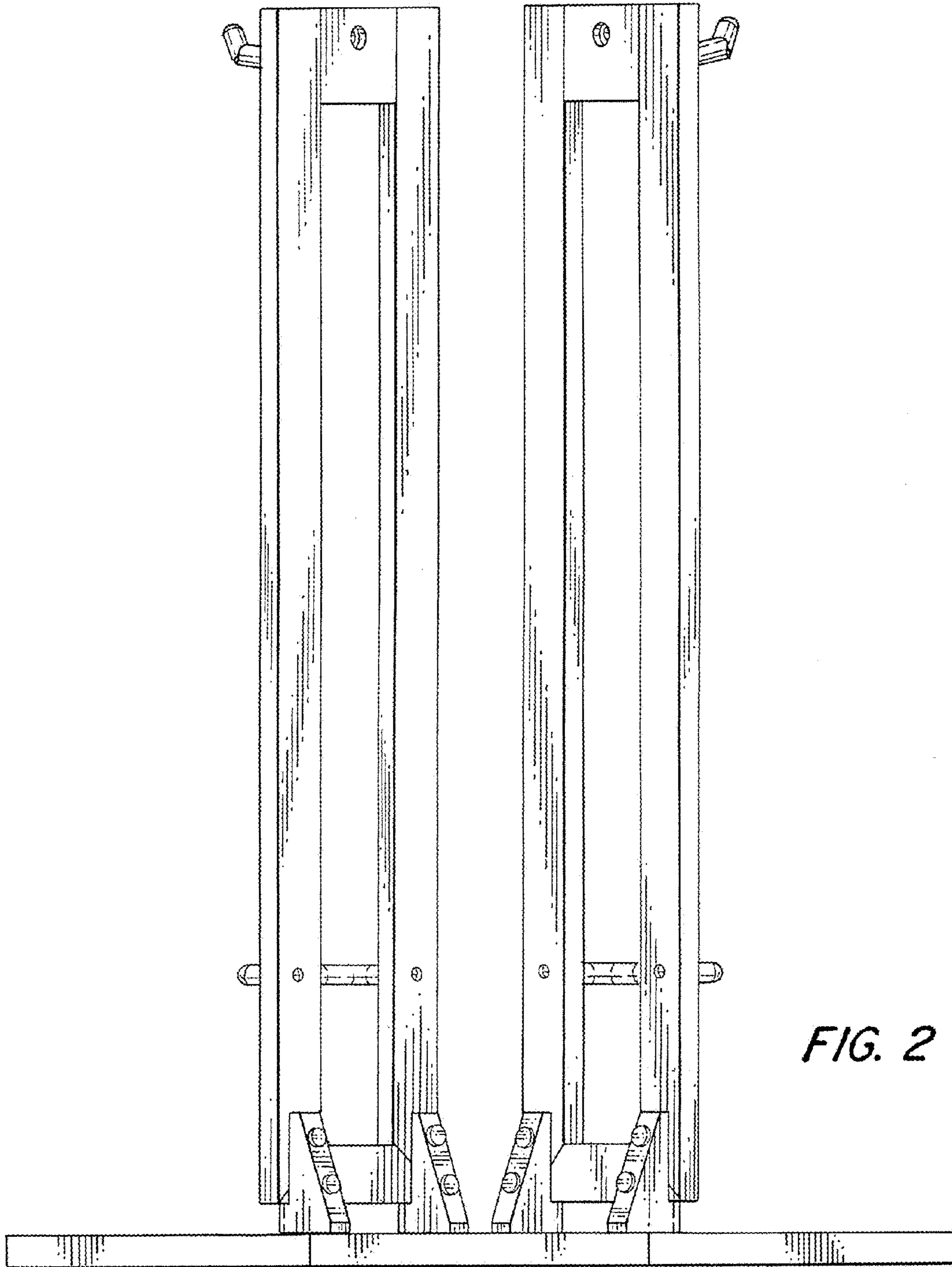
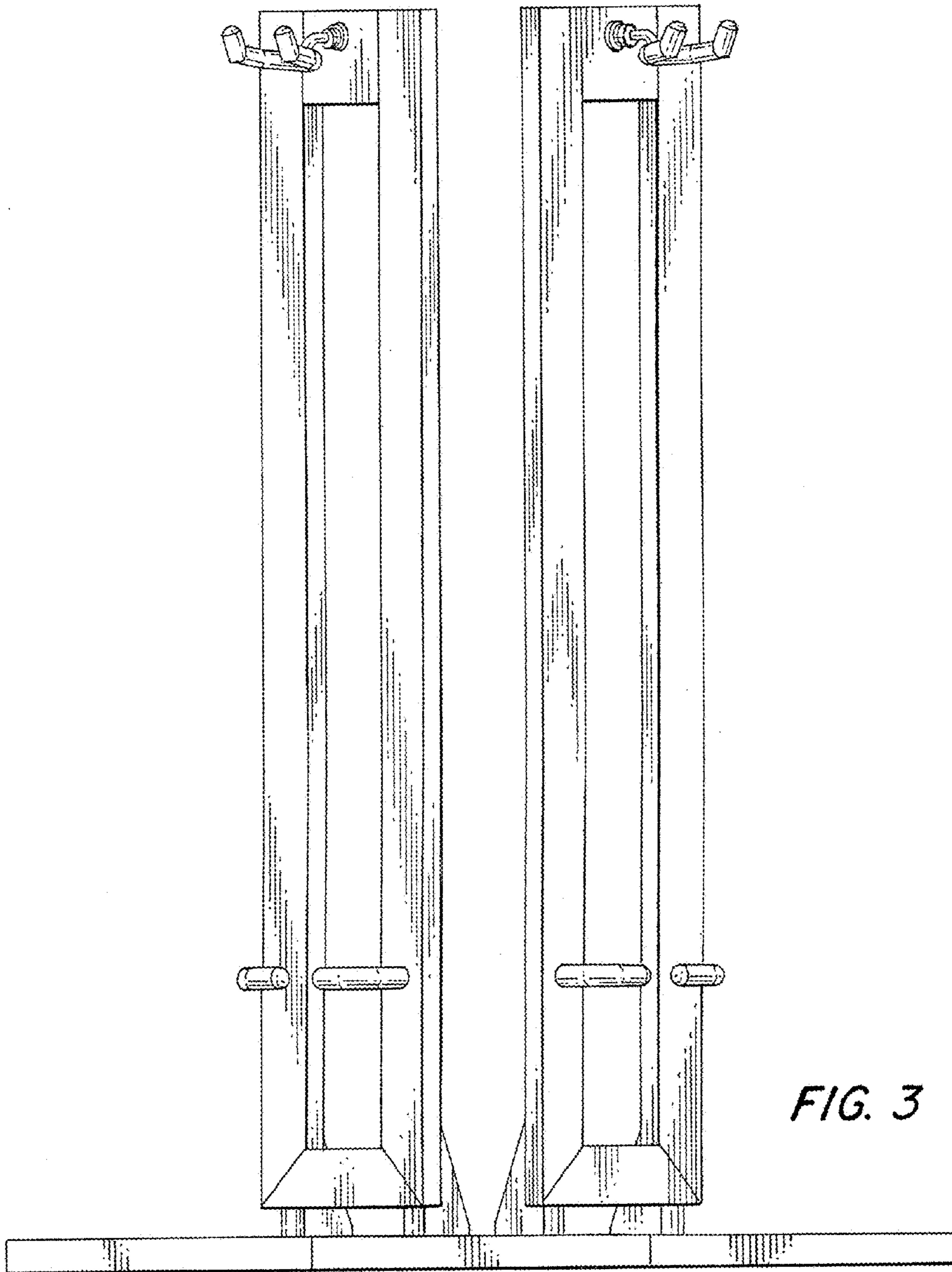
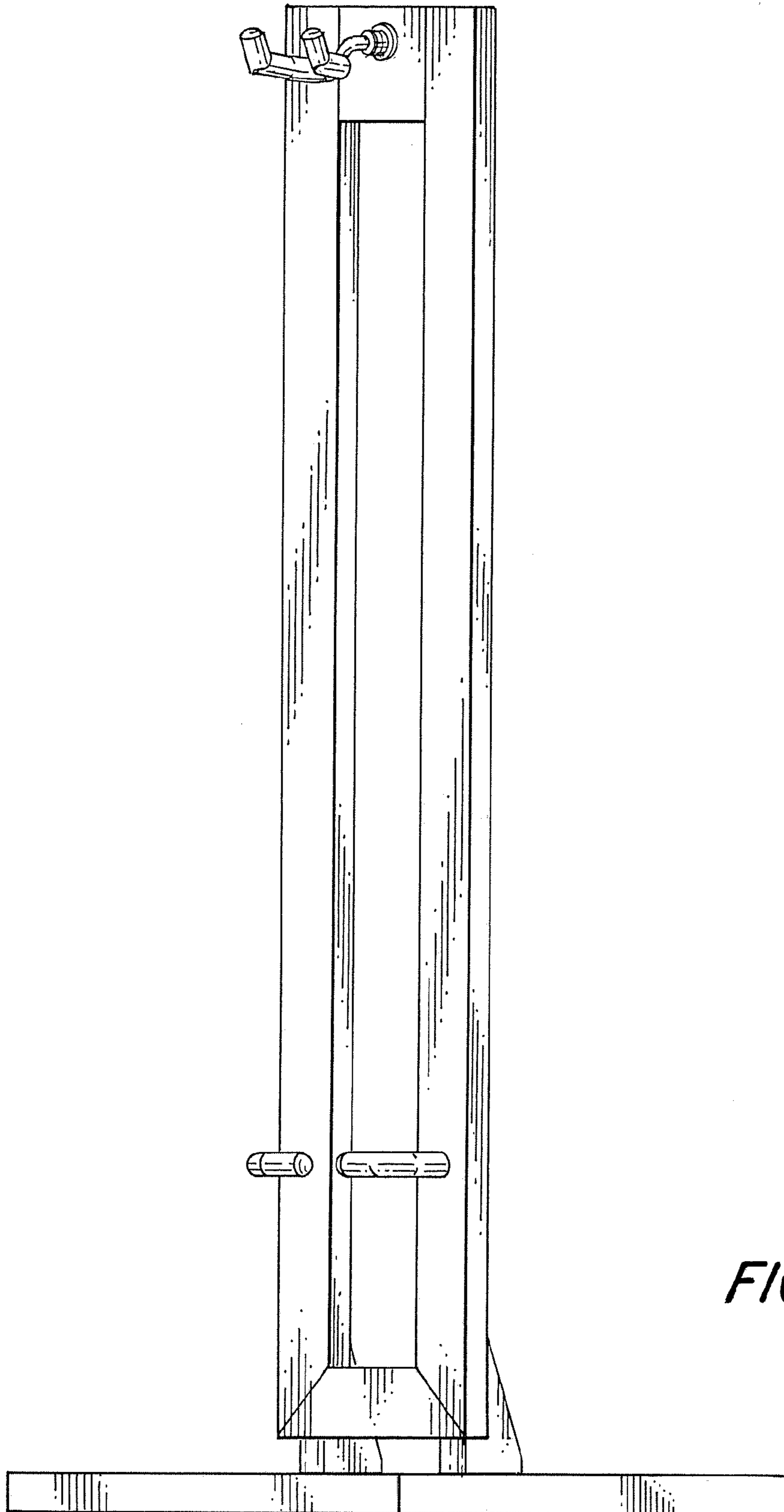


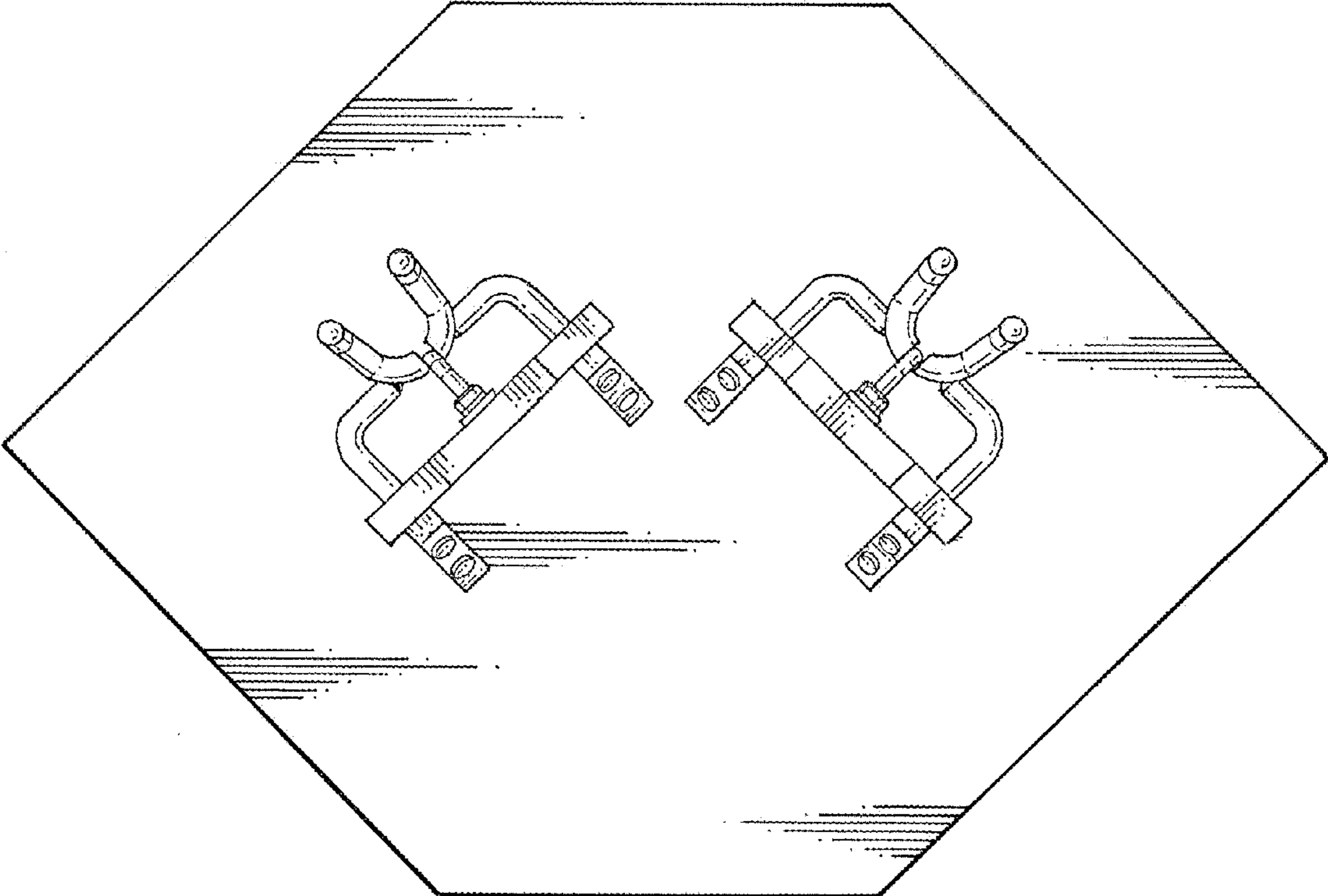
FIG. 2



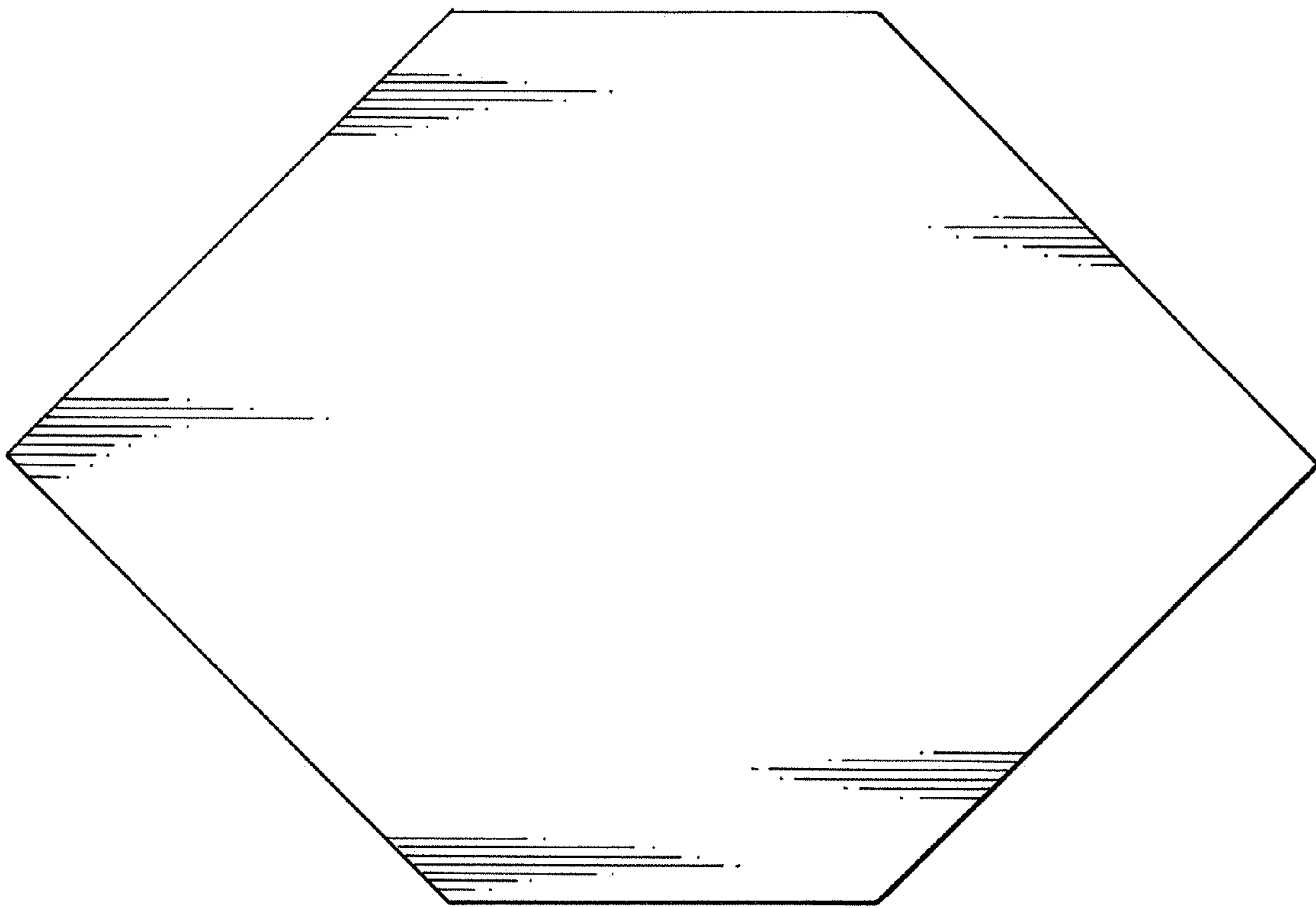
*FIG. 3*



*FIG. 4*



*FIG. 5*



*FIG. 6*