



US00D775271S

(12) **United States Design Patent**
Ridinger et al.

(10) **Patent No.:** **US D775,271 S**

(45) **Date of Patent:** **** Dec. 27, 2016**

(54) **CLIP-ON MUSICAL INSTRUMENT TUNER**

(71) Applicant: **Evets Corporation**, Camarillo, CA
(US)

(72) Inventors: **Stephen T. Ridinger**, Camarillo, CA
(US); **Johnny Chi Pang Ng**,
Manchester (GB)

(73) Assignee: **Evets Corporation**, Irvine, CA (US)

(**) Term: **14 Years**

(21) Appl. No.: **29/523,146**

(22) Filed: **Apr. 7, 2015**

(51) **LOC (10) Cl.** **17-99**

(52) **U.S. Cl.**
USPC **D17/99**; D14/188

(58) **Field of Classification Search**
USPC D17/99; D10/43, 79, 102; D14/188
CPC G10G 7/02; G10G 7/00; G10D 3/14;
G10D 3/143; G10H 1/44; G10H
2210/066; G10H 2220/021; Y10S 84/18;
G01H 9/00; G10C 3/103
See application file for complete search history.

(56) **References Cited**

U.S. PATENT DOCUMENTS

D323,469 S * 1/1992 Saito D10/15
D483,795 S * 12/2003 Morgan D17/99
D487,905 S * 3/2004 Nelson D17/99

D661,342 S * 6/2012 Ridinger D17/99
D666,664 S * 9/2012 Steinberger D17/99
D688,301 S * 8/2013 Ando D17/20
D703,263 S * 4/2014 D'Addario D17/99
D709,124 S * 7/2014 Ridinger D17/99
D714,166 S * 9/2014 Ando D10/43
D765,766 S * 9/2016 Steinberger D17/99
2005/0087060 A1 * 4/2005 Taku G10G 7/02
84/455

* cited by examiner

Primary Examiner — Robert M Spear

Assistant Examiner — Eliza Bennett-Hattan

(74) *Attorney, Agent, or Firm* — Joseph T. Leone, Esq.;
DeWitt Ross & Stevens S.C.

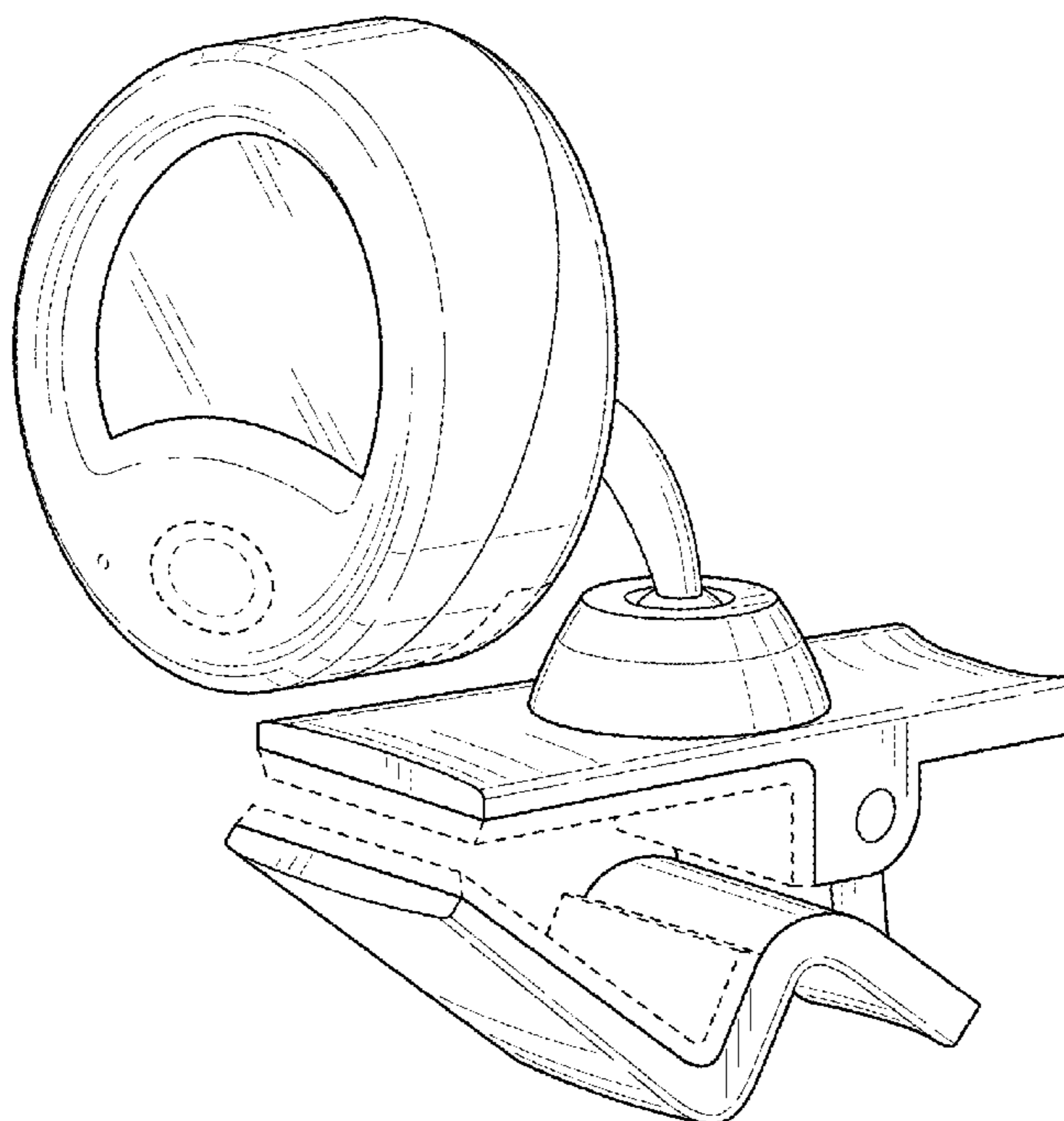
(57) **CLAIM**

The ornamental design for a clip-on musical instrument tuner, as shown and described.

DESCRIPTION

FIG. 1 is a perspective view of a clip-on musical instrument tuner showing my new design;
FIG. 2 is a right side elevational view thereof;
FIG. 3 is a left side elevational view thereof;
FIG. 4 is a front elevational view thereof;
FIG. 5 is a rear elevational view thereof;
FIG. 6 is a top plan view thereof; and,
FIG. 7 is a bottom plan view thereof.
The broken lines in the drawing depict environmental subject matter only and form no part of the claimed design.

1 Claim, 4 Drawing Sheets



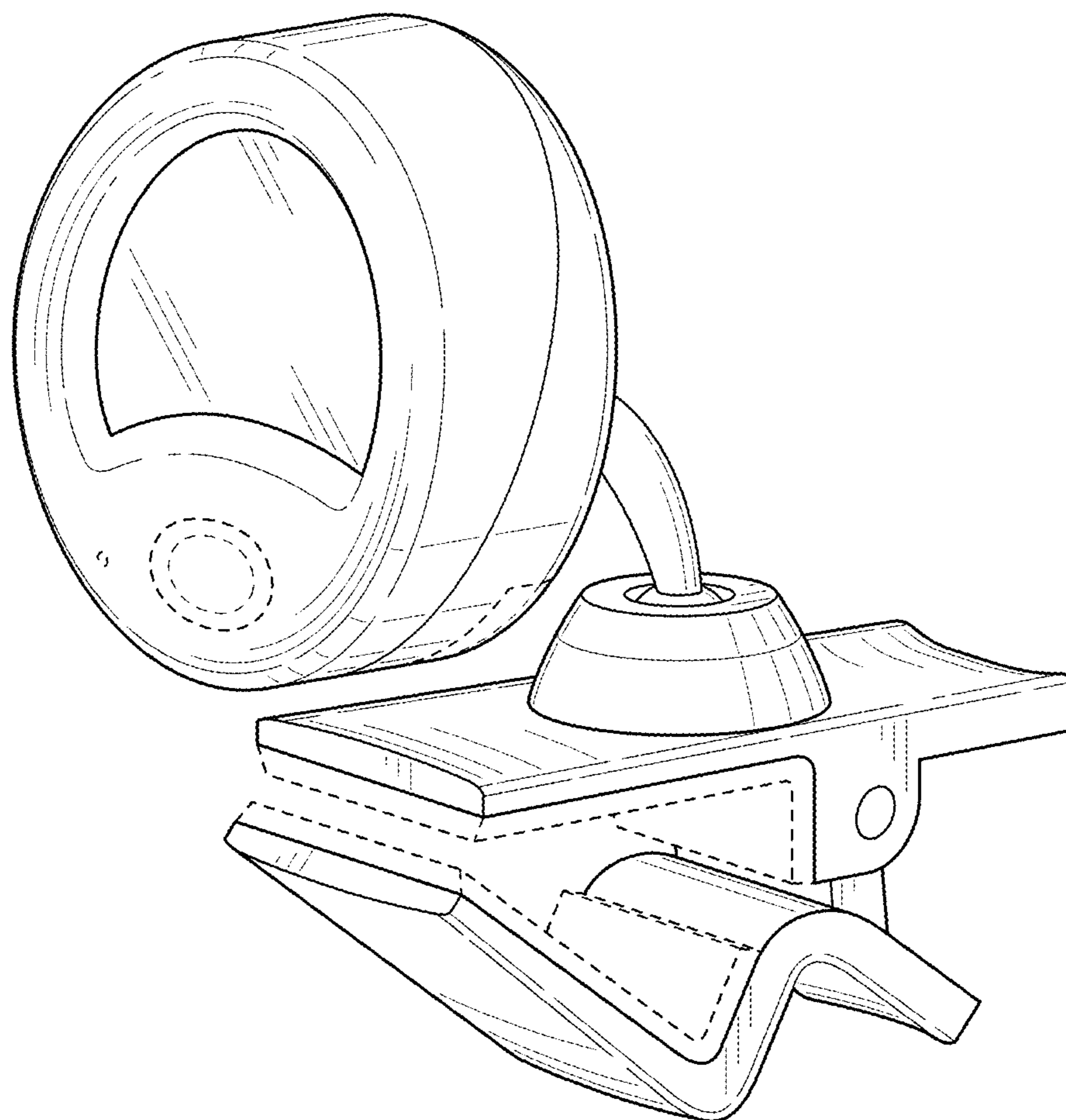


FIG. 1

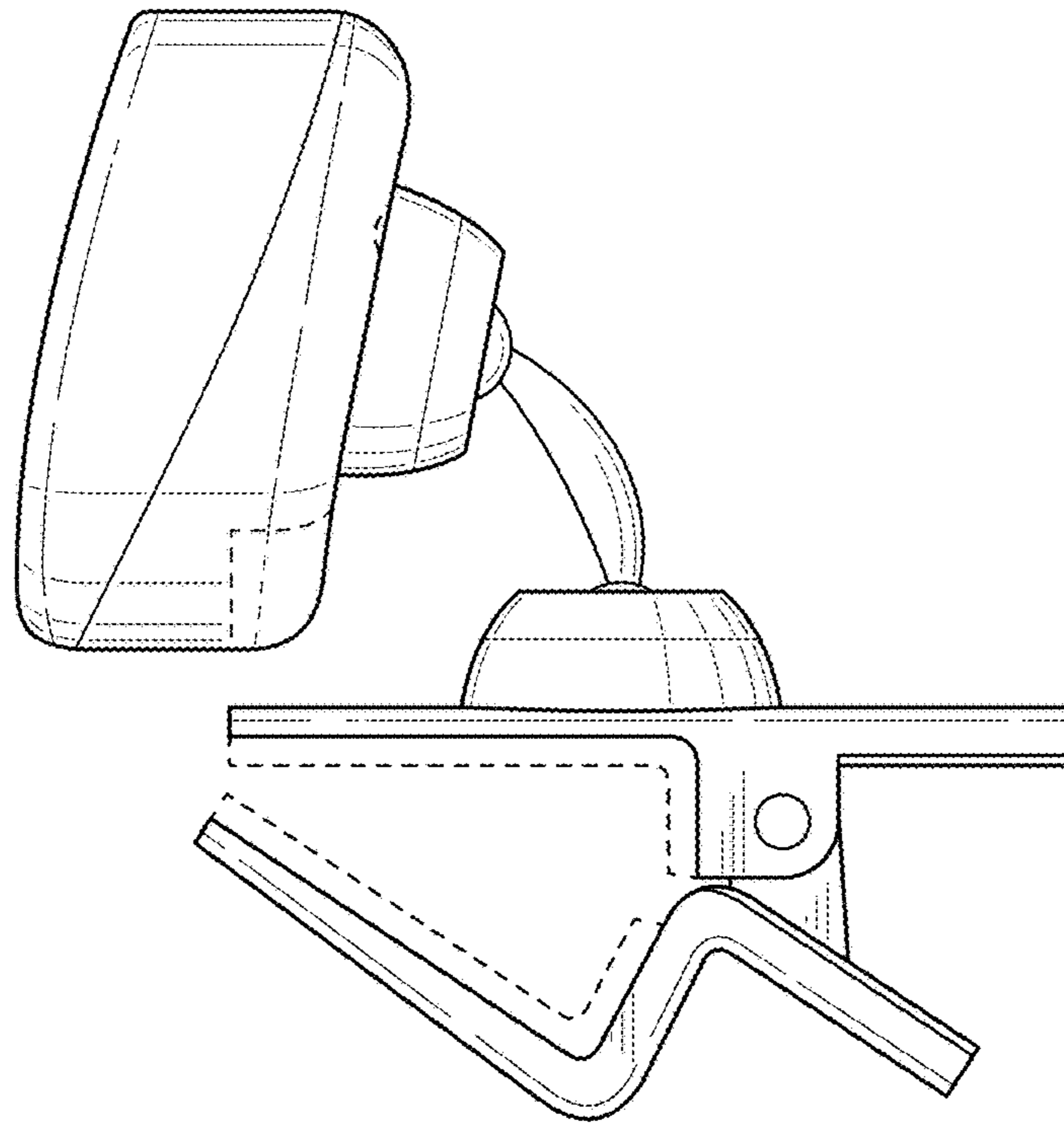


FIG. 2

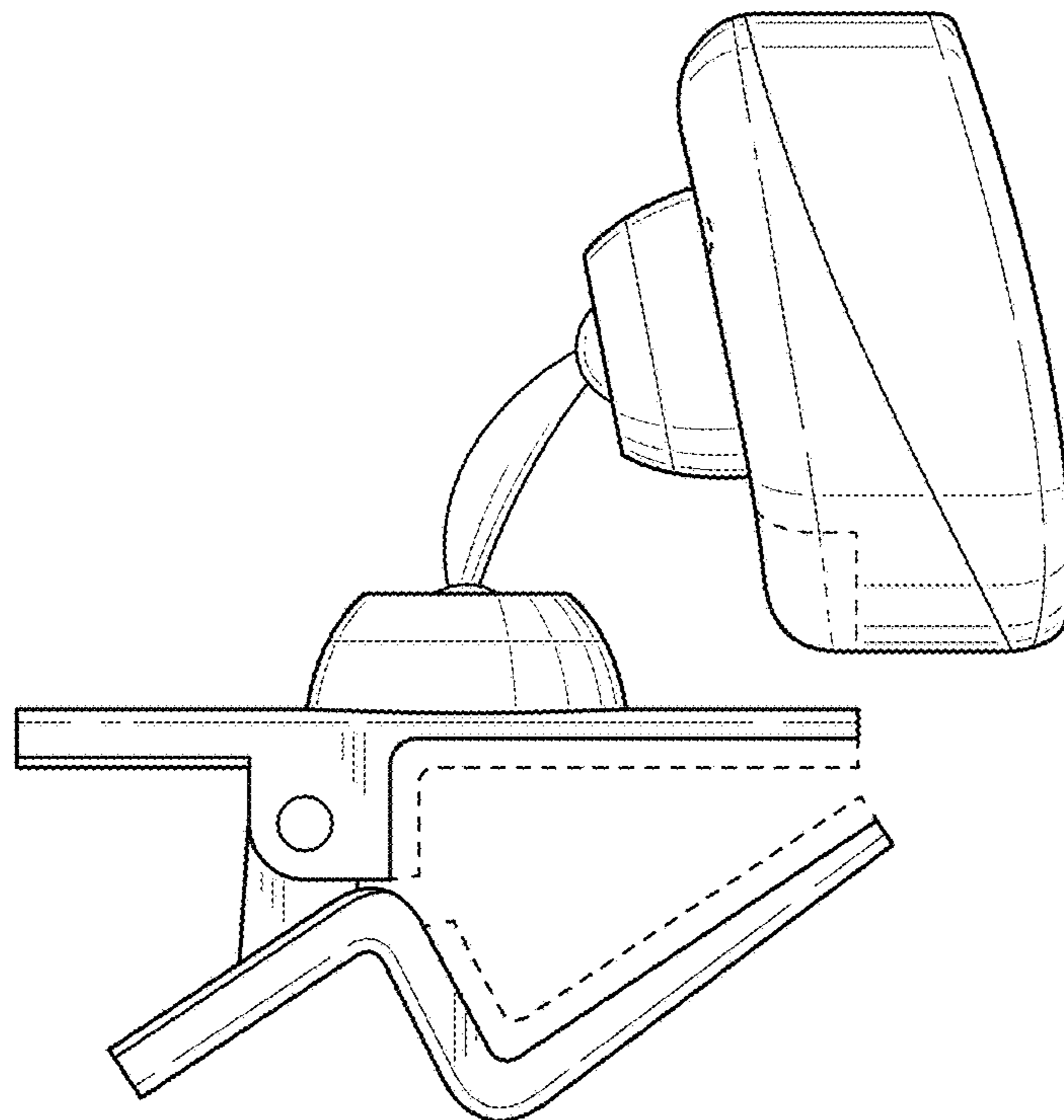


FIG. 3

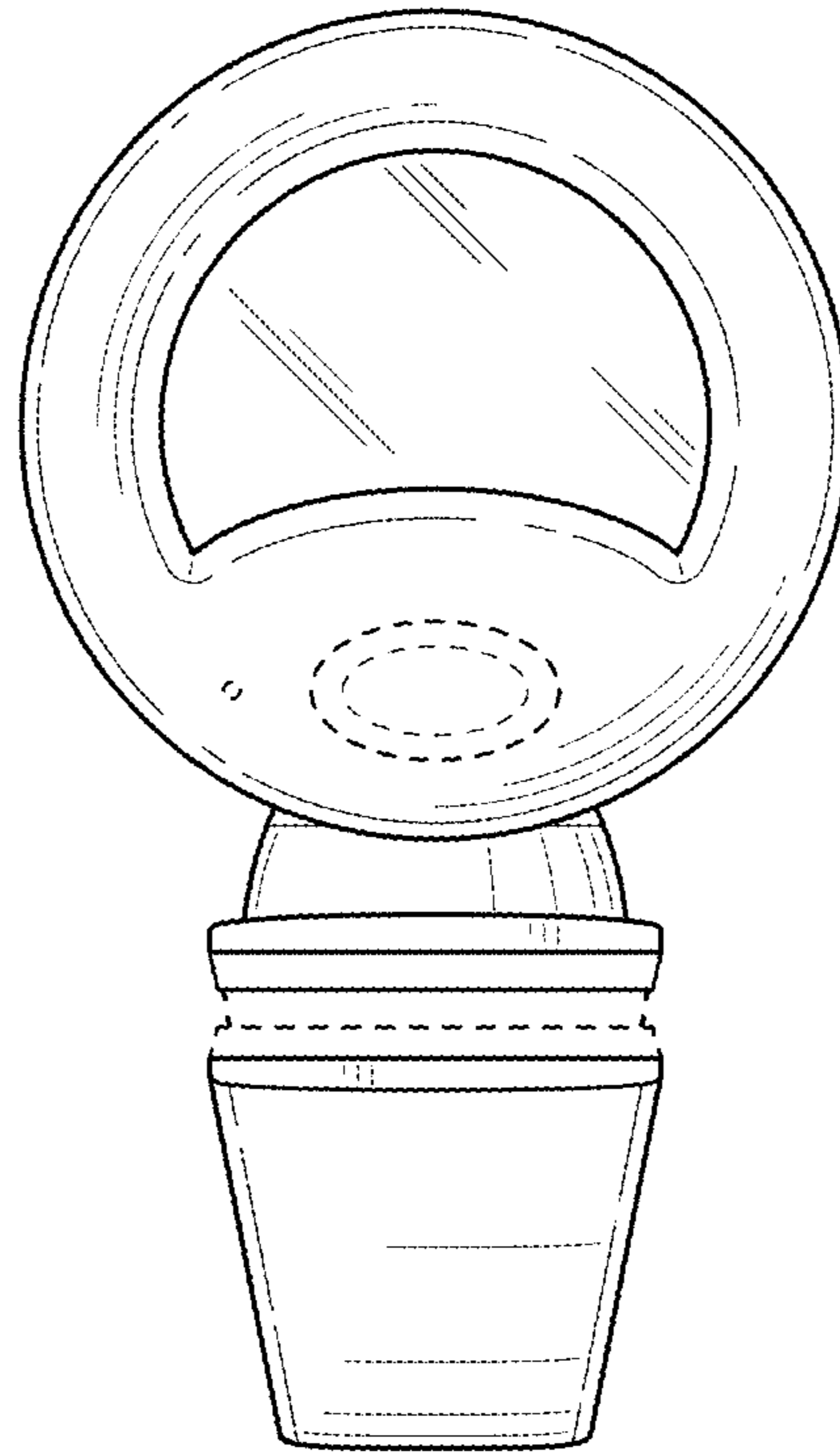


FIG. 4

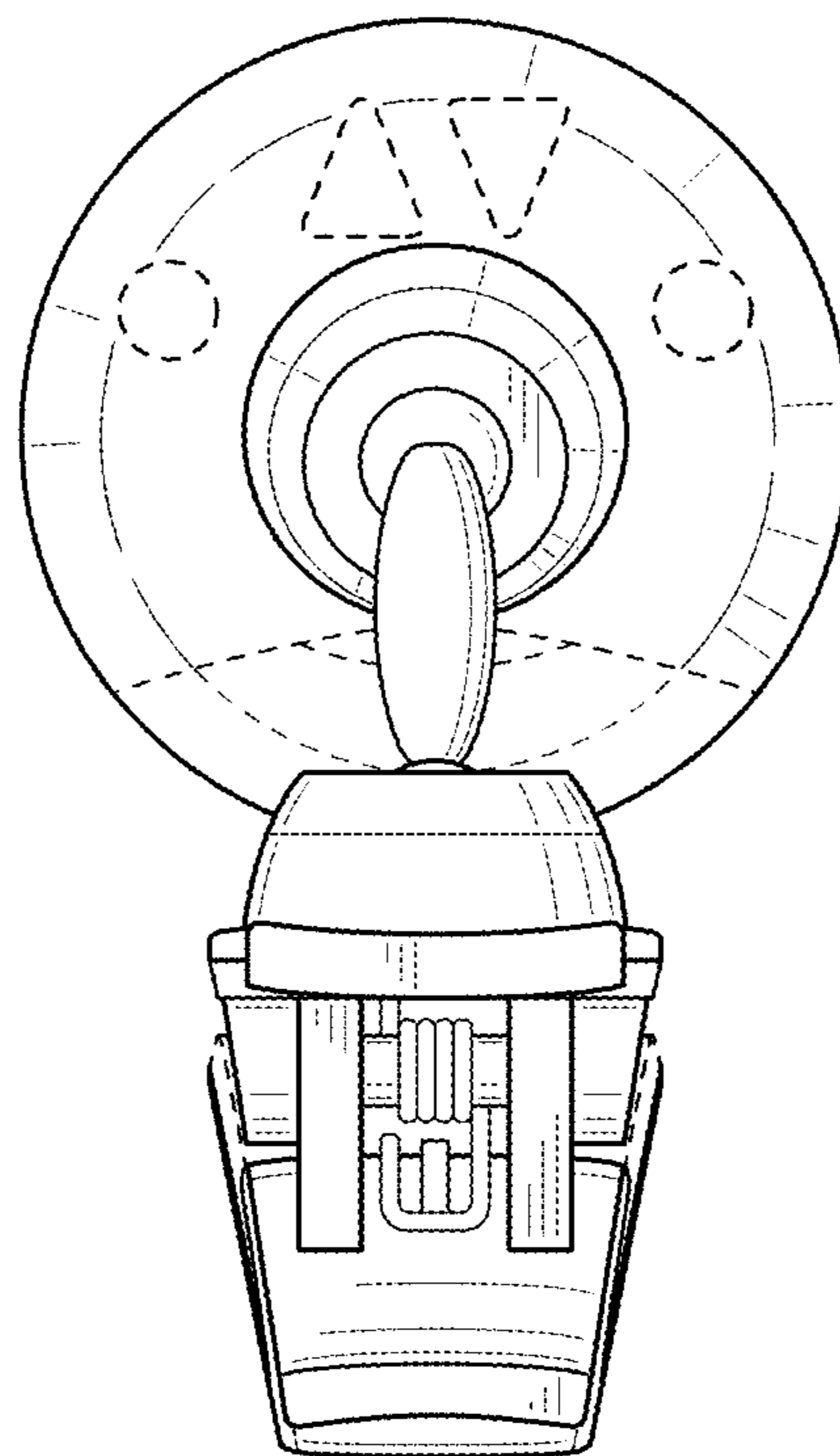


FIG. 5

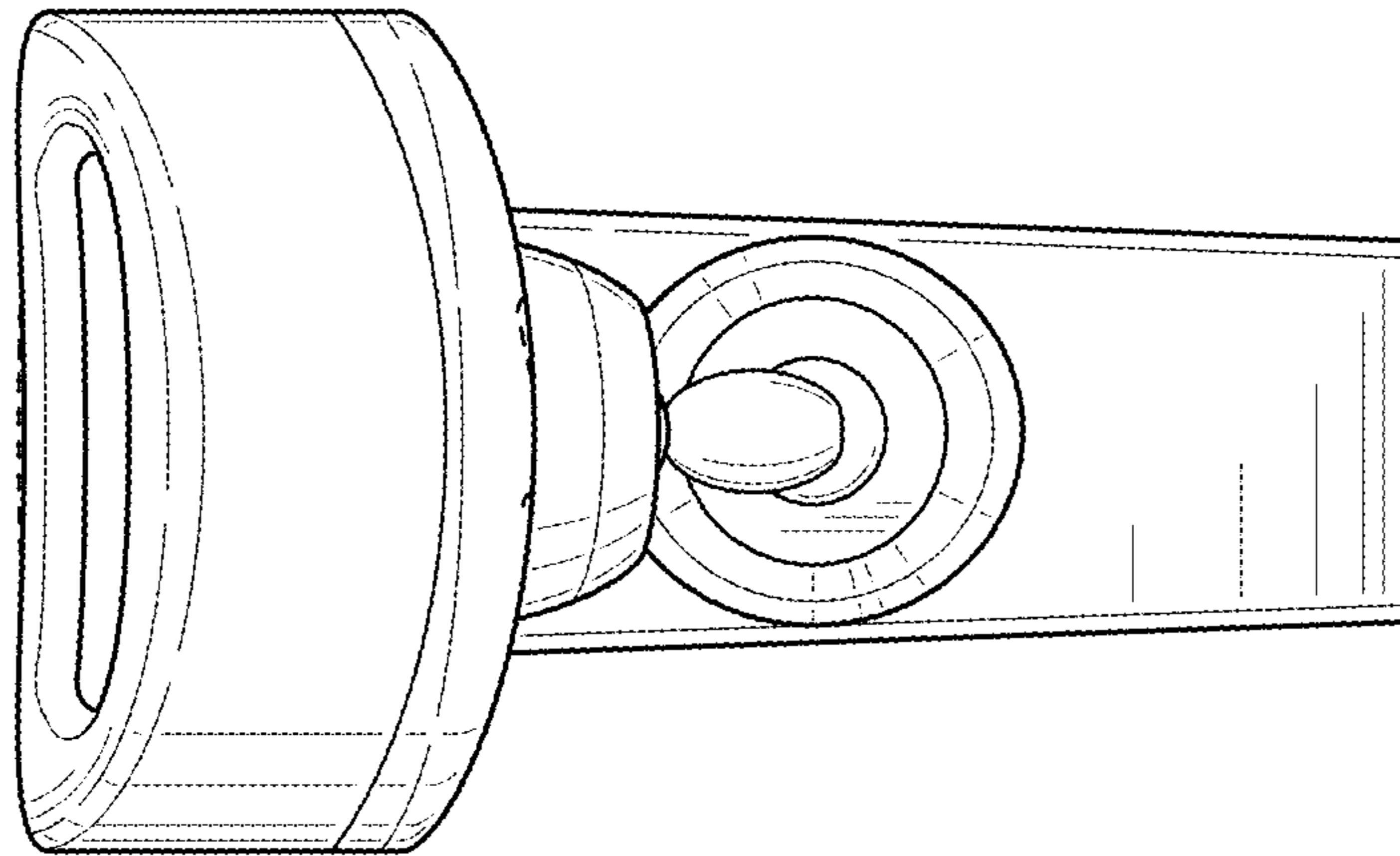


FIG. 6

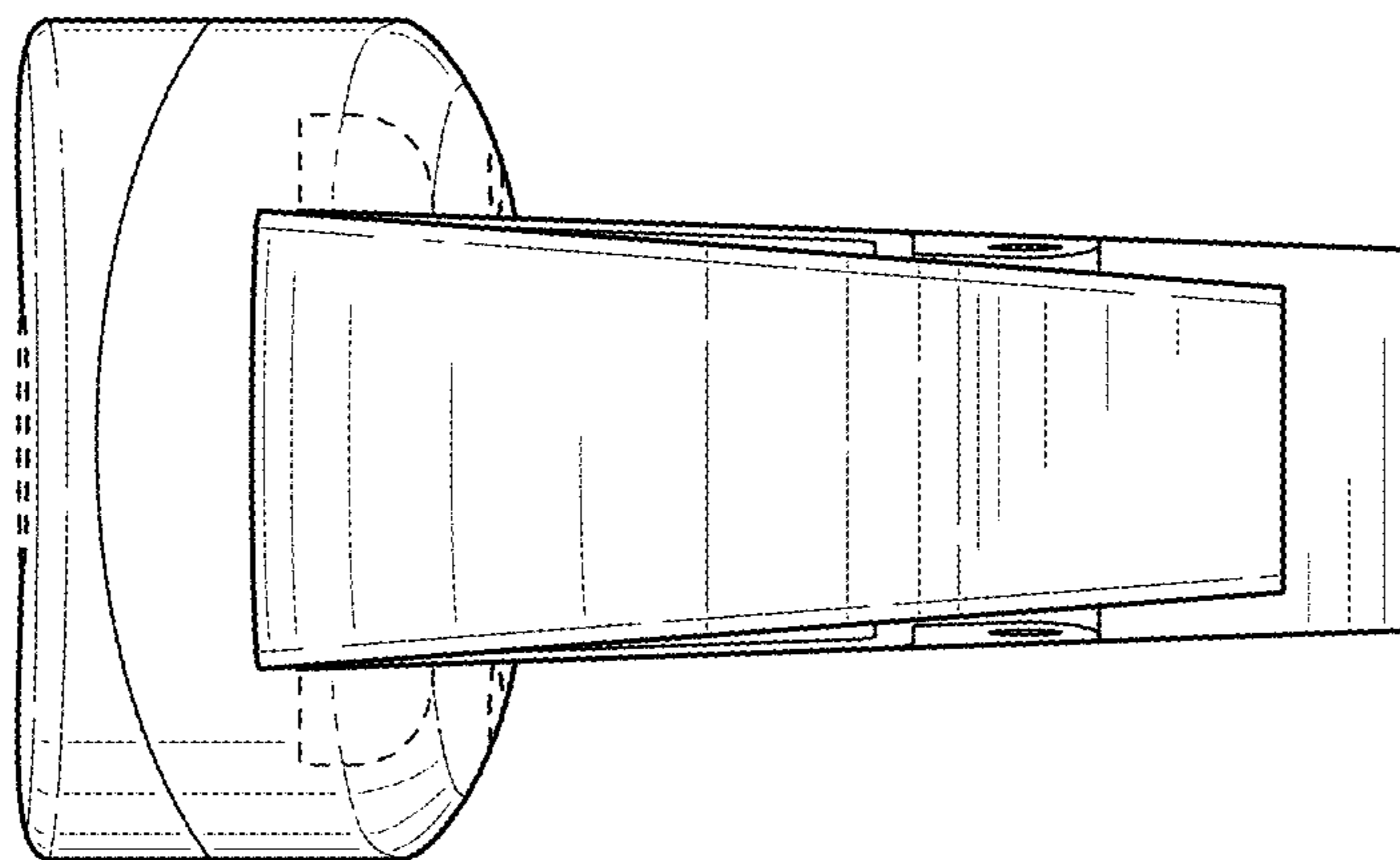


FIG. 7