



US00D775269S

(12) **United States Design Patent**
Stanley

(10) **Patent No.:** **US D775,269 S**

(45) **Date of Patent:** **** Dec. 27, 2016**

(54) **STRINGED INSTRUMENT TUNER**

(71) Applicant: **Stonefield International Limited,**
Christchurch (NZ)

(72) Inventor: **Thomas James Stanley,** Christchurch
(NZ)

(73) Assignee: **STONEFIELD INTERNATIONAL**
LIMITED, Christchurch (NZ)

(**) Term: **14 Years**

(21) Appl. No.: **29/501,524**

(22) Filed: **Sep. 4, 2014**

(30) **Foreign Application Priority Data**

Mar. 14, 2014 (NZ) 418599

(51) **LOC (10) Cl.** **17-03**

(52) **U.S. Cl.**
USPC **D17/20**

(58) **Field of Classification Search**

USPC ... D10/18, 21, 24, 25, 27, 28, 46, 93, 104.1,
D10/106, 113, 114, 116.1; D17/9, 13, 20,
D17/22, 23, 24, 99, 4, 12, 14, 15, 16, 17,
D17/18, 19, 21; D21/586; D28/7; D6/582,
D6/583, 585, 592, 595, 596, 597, 601,
D6/602, 603, 606, 608, 610, 617
CPC H05K 7/20727; H05K 7/20581; F04D
25/166; F04D 15/00; F04D 29/664; F24F
3/044; F24F 7/06; F24F 7/065; F24F
13/24; G10D 13/00; G10D 3/00; G10D
3/18; G10G 5/00; A63H 5/00; A47G 9/00;
B60N 2/00

See application file for complete search history.

(56) **References Cited**

U.S. PATENT DOCUMENTS

1,389,787 A * 9/1921 Stanley F16L 19/025
279/91

2,318,903 A * 5/1943 Thomas F16C 13/006
411/401

2,495,838 A * 1/1950 Deakin H01R 33/7628
439/560

4,026,182 A * 5/1977 Gilbrech G10D 3/14
84/305

4,027,572 A * 6/1977 Burge B25B 13/485
411/436

4,254,809 A * 3/1981 Schuster F16B 19/05
411/167

4,298,098 A * 11/1981 Stella F16H 53/06
184/105.3

D268,672 S * 4/1983 McPherson D14/229

D270,544 S * 9/1983 Fender D17/20
(Continued)

OTHER PUBLICATIONS

Waverly Ukulele Tuners, image post date Feb. 23, 2012, site visited
Feb. 21, 2016, (online), <[http://www.stewmac.com/Hardware_ and_Parts/Tuning_Machines/Ukulele_Tuning_Machines/ Waverly_Ukulele_Tuners/Reviews/Oldest/Page1. html#reviews](http://www.stewmac.com/Hardware_and_Parts/Tuning_Machines/Ukulele_Tuning_Machines/Waverly_Ukulele_Tuners/Reviews/Oldest/Page1.html#reviews)>.*

(Continued)

Primary Examiner — Kevin Rudzinski

Assistant Examiner — Sean D Lough

(74) *Attorney, Agent, or Firm* — Stephen M. De Klerk

(57)

CLAIM

The ornamental design for the stringed instrument tuner, as
shown and described.

DESCRIPTION

FIG. 1 is a first perspective view of a stringed instrument
tuner showing my new design;

FIG. 2 is a second perspective view of my design;

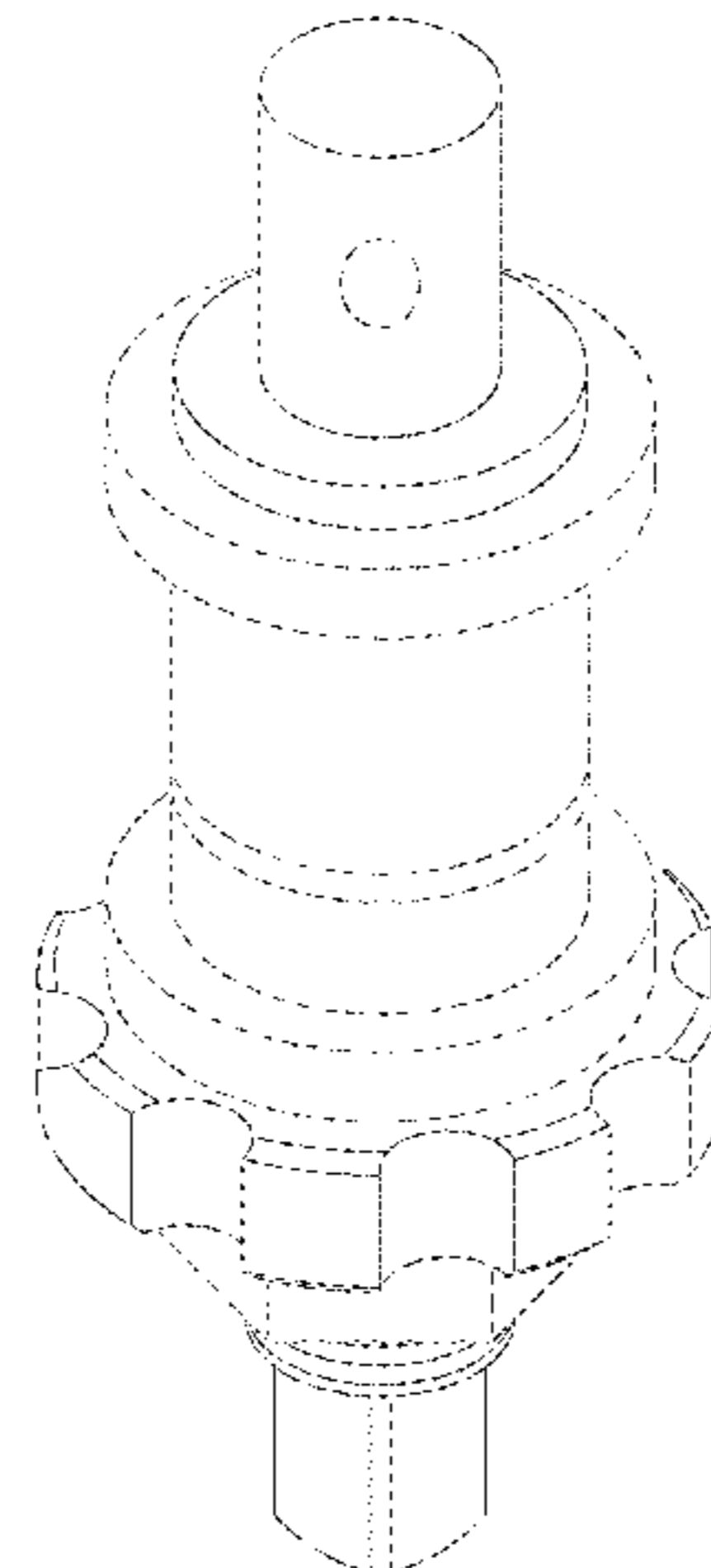
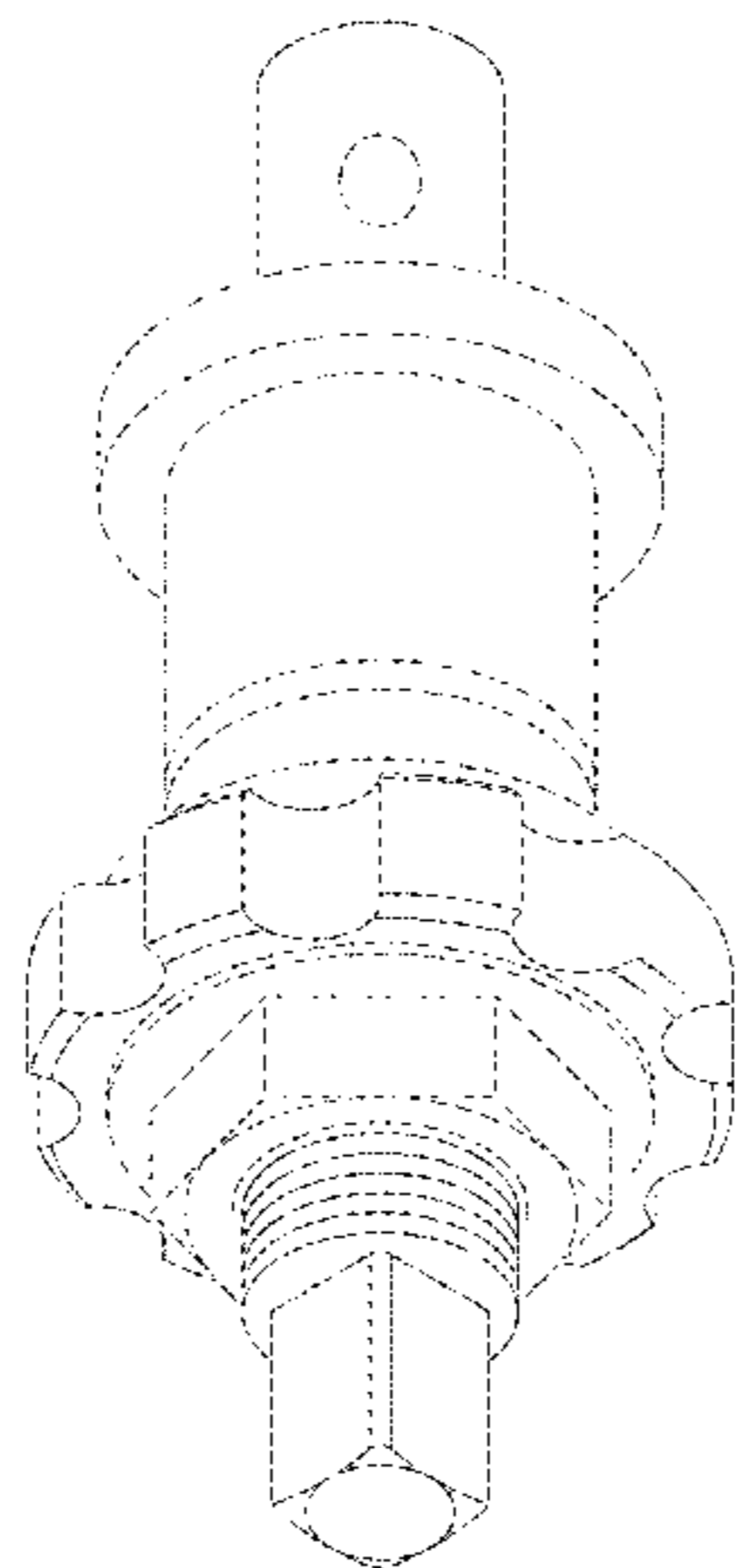
FIG. 3 is a side view of my design;

FIG. 4 is a bottom side view of my design; and,

FIG. 5 is a top view of my design.

The broken lines, where present, in all FIG. views illustrate
portions of the stringed instrument tuner and environment
that forms no part of the claimed design.

1 Claim, 5 Drawing Sheets



(56)

References Cited

U.S. PATENT DOCUMENTS

D278,233 S * 4/1985 Hardy D14/229
 4,661,031 A * 4/1987 Heine F16B 39/38
 411/263
 4,693,163 A * 9/1987 Hsieh G10D 13/023
 84/413
 D342,001 S * 12/1993 Hibbert D17/20
 D350,762 S * 9/1994 Ohno D17/22
 D352,753 S * 11/1994 Giannini D21/678
 5,381,715 A * 1/1995 Spercel G10D 3/14
 84/304
 D366,996 S * 2/1996 Torres D17/22
 D404,061 S * 1/1999 Roth D17/20
 6,093,878 A * 7/2000 Hoshino G10D 13/06
 248/122.1
 6,201,172 B1 * 3/2001 Denton G10D 3/146
 84/313
 6,308,993 B1 * 10/2001 Phillips F16L 33/2071
 285/256
 6,353,165 B1 * 3/2002 Chiu G10D 3/14
 84/304
 6,462,259 B1 * 10/2002 Chapman G10D 3/12
 84/314 N
 D482,761 S * 11/2003 Gotoh D23/233
 6,828,494 B2 * 12/2004 Toda G10D 13/024
 84/411 M
 D510,259 S * 10/2005 Yoshimoto D8/397
 7,100,881 B2 * 9/2006 Worrall F16C 11/0619
 116/173
 7,237,464 B2 * 7/2007 Mekler B25B 13/50
 81/176.15
 7,278,620 B2 * 10/2007 Blateri F04D 25/088
 248/284.1
 D581,907 S * 12/2008 Crous D14/229
 D590,243 S * 4/2009 Bush D8/397
 7,591,446 B2 * 9/2009 Istas F16M 11/14
 248/288.11
 D612,716 S * 3/2010 Lutz D8/397
 D621,869 S * 8/2010 Rockett D17/22
 D648,775 S * 11/2011 Rockett D17/22

D650,831 S * 12/2011 Chan D17/20
 8,207,433 B1 * 6/2012 Maiorana G10D 3/12
 84/267
 D681,104 S * 4/2013 Yi D17/20
 8,664,498 B2 * 3/2014 Leneman G10D 3/163
 84/322
 D703,261 S * 4/2014 Hudson D17/22
 8,686,265 B2 * 4/2014 Johnston G10D 13/006
 84/422.1
 D704,044 S * 5/2014 Makino D8/397
 D710,683 S * 8/2014 Kishida D8/397
 D711,731 S * 8/2014 Sugiura D17/22
 D713,714 S * 9/2014 Kishida D8/397
 D714,267 S * 9/2014 Kallas D14/229
 D720,390 S * 12/2014 Hudson D17/22
 8,979,055 B2 * 3/2015 Chu F16M 11/14
 248/177.1
 D730,435 S * 5/2015 Turner D17/20
 9,029,671 B1 * 5/2015 Smith G10D 3/146
 84/313
 D735,567 S * 8/2015 Kishida D8/387
 D743,347 S * 11/2015 Hackleman D13/153
 D746,129 S * 12/2015 Kishida D8/399
 D748,972 S * 2/2016 Primeau D8/397
 2010/0079028 A1 * 4/2010 Turner H02K 3/487
 310/214
 2016/0027417 A1 * 1/2016 Koster G10G 5/005
 84/327

OTHER PUBLICATIONS

Mandolin Buying Guide, image post date Nov. 5, 2013, site visited Feb. 21, 2016, (online), <<http://thehub.musiciansfriend.com/folk-instrument-buying-guides/mandolins-how-to-choose>>.*
 Guitar Headstock, image post date 2005, site visited Feb. 21, 2016, (online), <http://www.123rf.com/photo_4676230_guitar-headstock.html>.*
 Guitar headstock-3005, image post date Aug. 1, 2014, site visited Feb. 21, 2016, (online), <<http://web.archive.org/web/20140801220046/http://stockarch.com/images/objects/guitar-headstock-3005>>.*

* cited by examiner

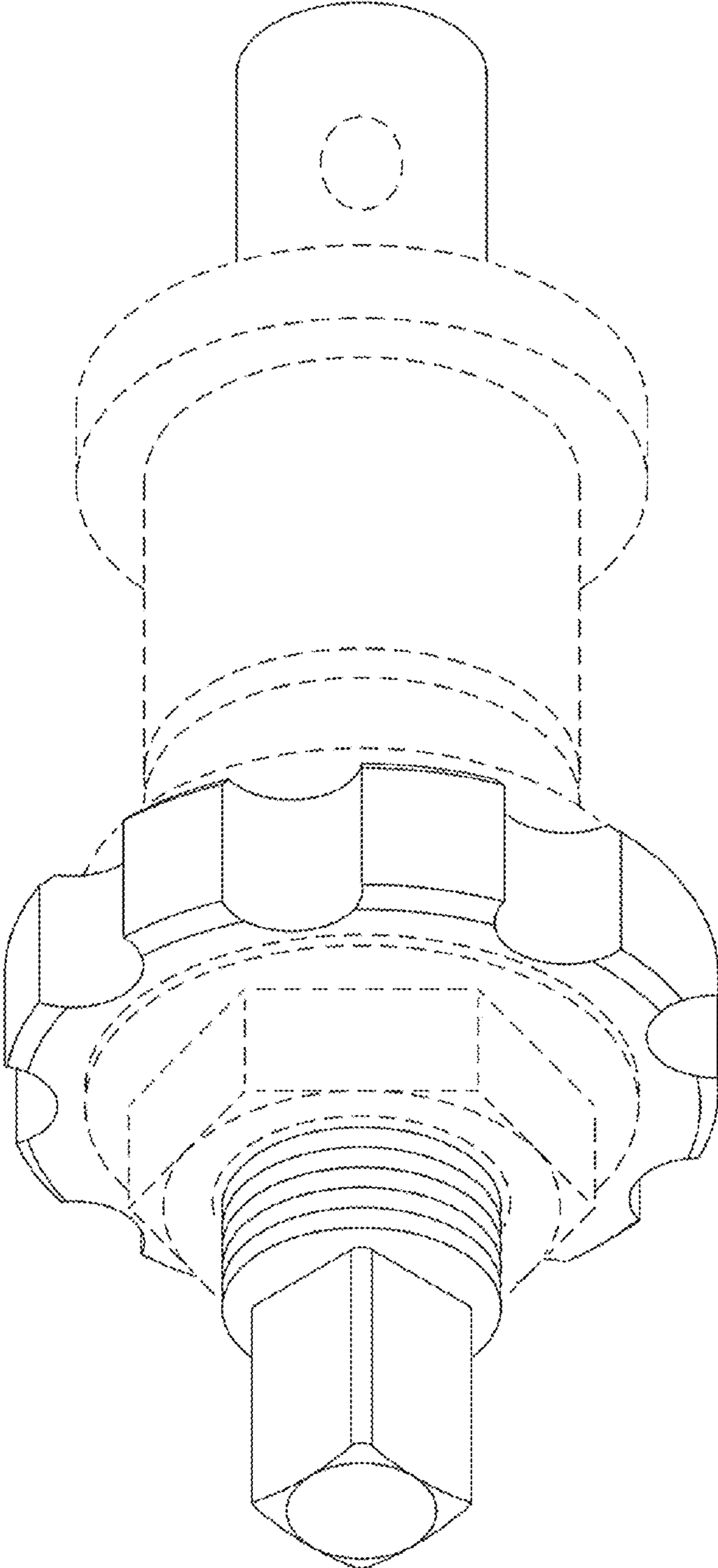


FIG. 1

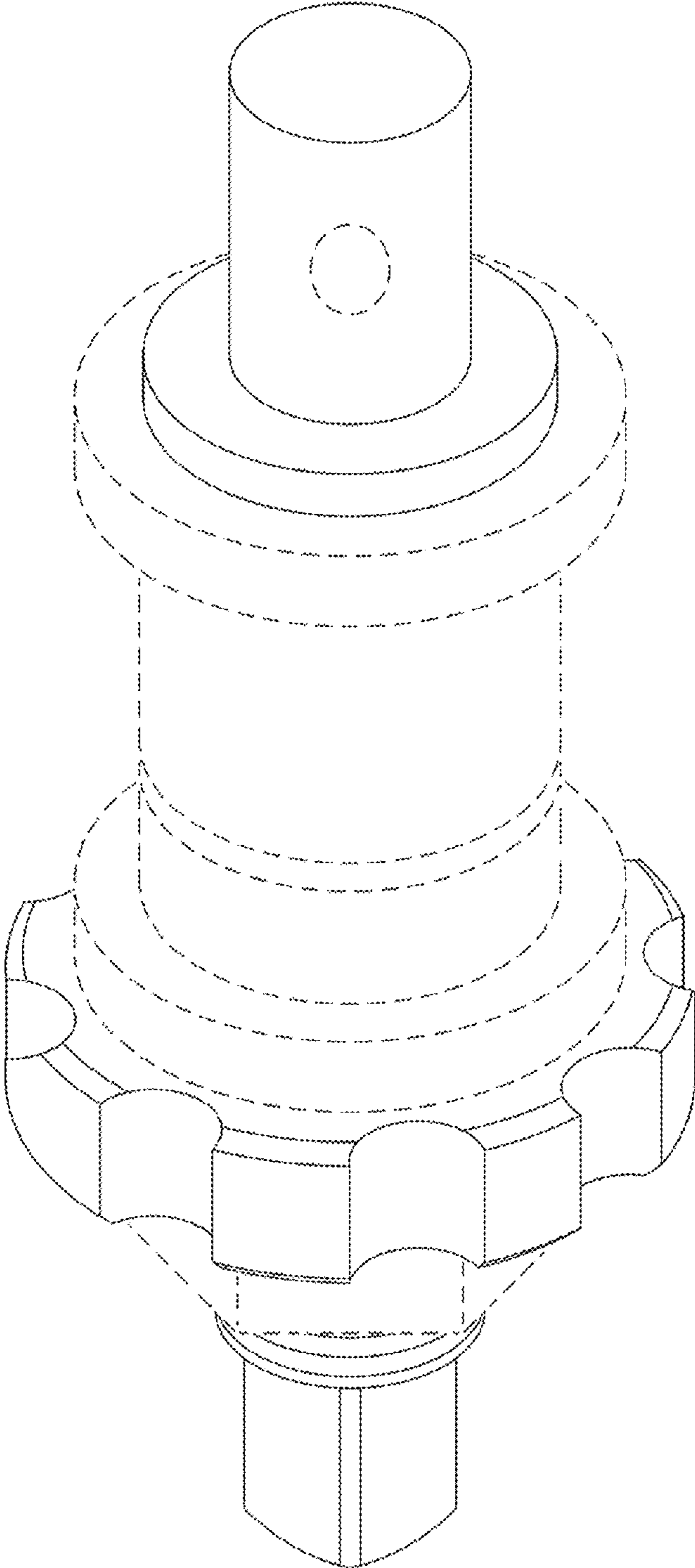


FIG. 2

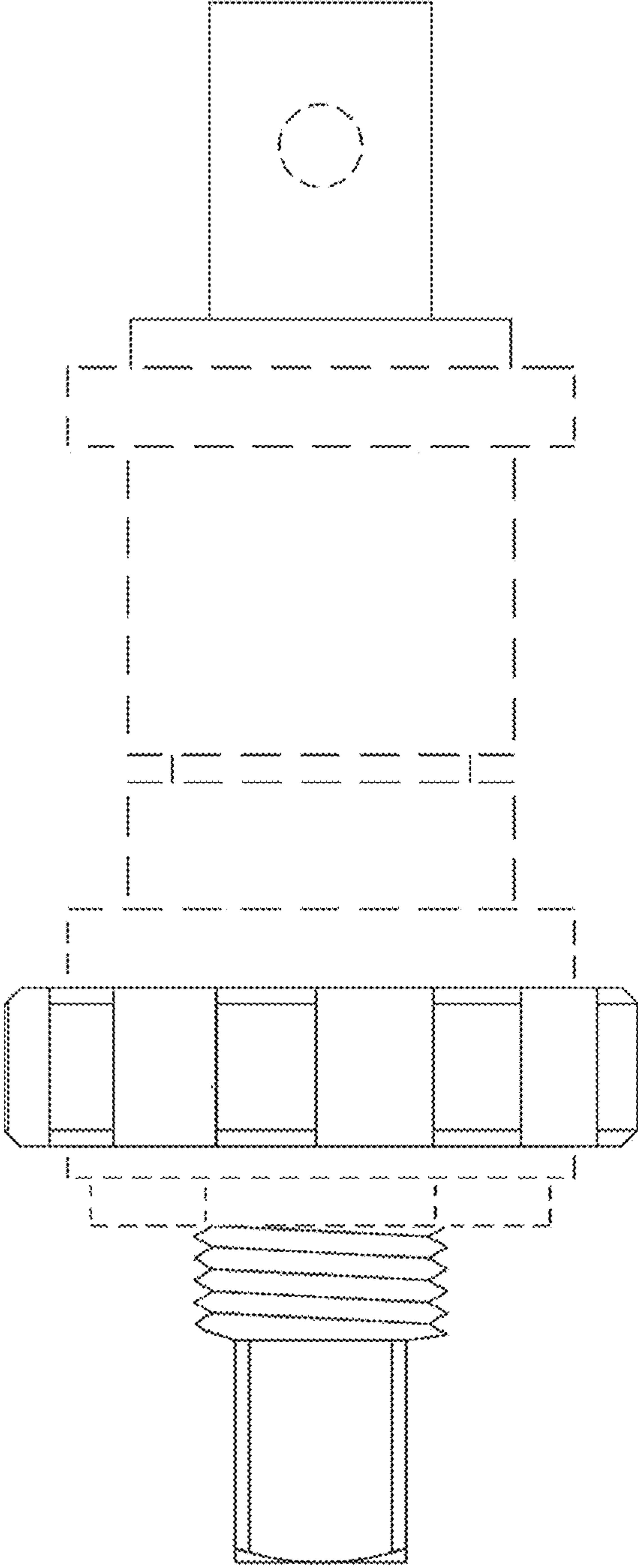


FIG. 3

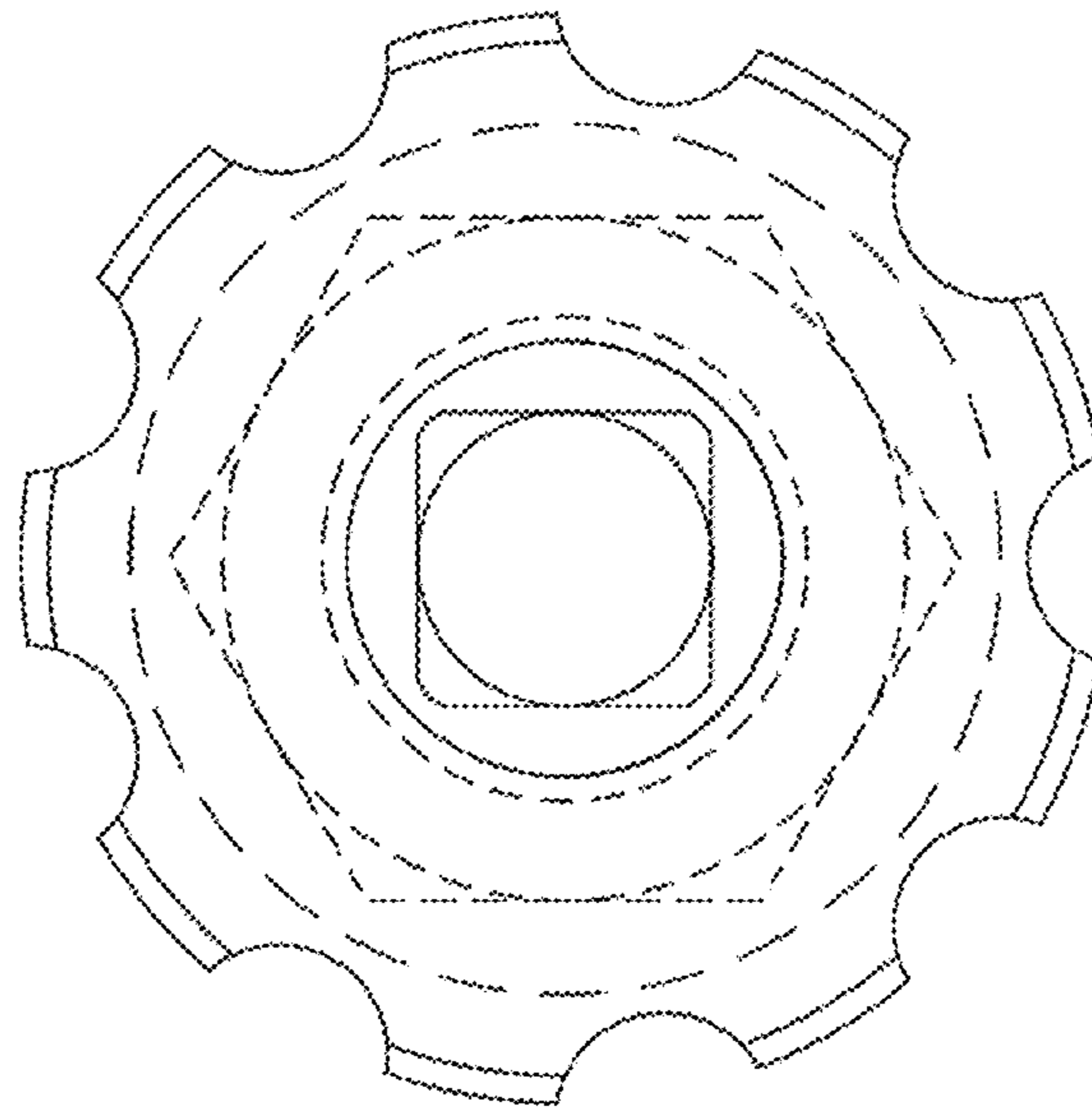


FIG. 4

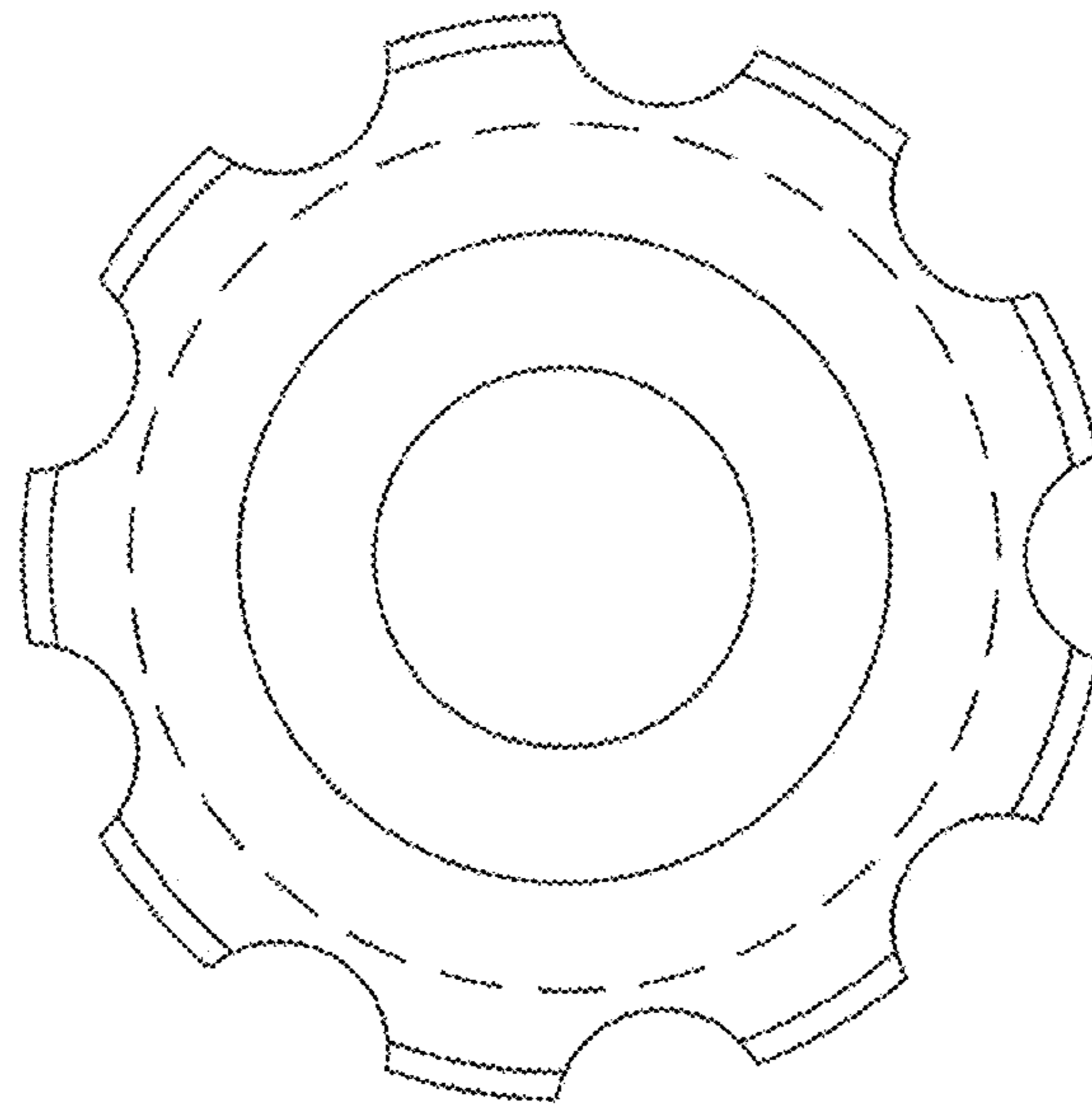


FIG. 5