



US00D775268S

(12) **United States Design Patent**
Dordick

(10) **Patent No.: US D775,268 S**

(45) **Date of Patent: ** Dec. 27, 2016**

(54) **UKULELE BODY**

(71) Applicant: **Scott David Dordick**, La Verne, CA
(US)

(72) Inventor: **Scott David Dordick**, La Verne, CA
(US)

(**) Term: **15 Years**

(21) Appl. No.: **29/530,139**

(22) Filed: **Jun. 12, 2015**

(51) **LOC (10) Cl.** **17-03**

(52) **U.S. Cl.**
USPC **D17/14**

(58) **Field of Classification Search**
USPC D17/14, 17, 19-21; 84/267, 291, 293,
84/307, 718
CPC G10D 1/02; G10D 1/08; G10D 1/10;
G10D 3/02; G10D 3/04; G10D
3/06; G10D 3/146; G10H 3/01

See application file for complete search history.

(56) **References Cited**

U.S. PATENT DOCUMENTS

3,413,883	A *	12/1968	Helbourne	G10D 1/08 84/267
D249,387	S *	9/1978	Hart	D17/17
D312,473	S *	11/1990	Ross	D17/17
D384,689	S *	10/1997	Najarian	D17/14
D478,611	S *	8/2003	Nakajima	D17/14
D501,395	S *	2/2005	Kelleghan	D8/356
D574,036	S *	7/2008	Kwak	D17/14

7,507,885	B2 *	3/2009	Coke	G10D 1/085 84/267
2003/0131721	A1 *	7/2003	Minakuchi	G10H 1/32 84/726
2008/0202310	A1 *	8/2008	Coke	G10D 1/085 84/291
2014/0116226	A1 *	5/2014	Saito	G10D 3/00 84/291

OTHER PUBLICATIONS

Opal Instruments. Ukuleles. Publication date unknown. [site visited Mar. 1, 2016]. Available on the Internet URL: <<http://www.opalinstruments.com/ukuleles.html>>.*

* cited by examiner

Primary Examiner — Susan Bennett Hattan
Assistant Examiner — S. Bryan Reinholdt, Jr.

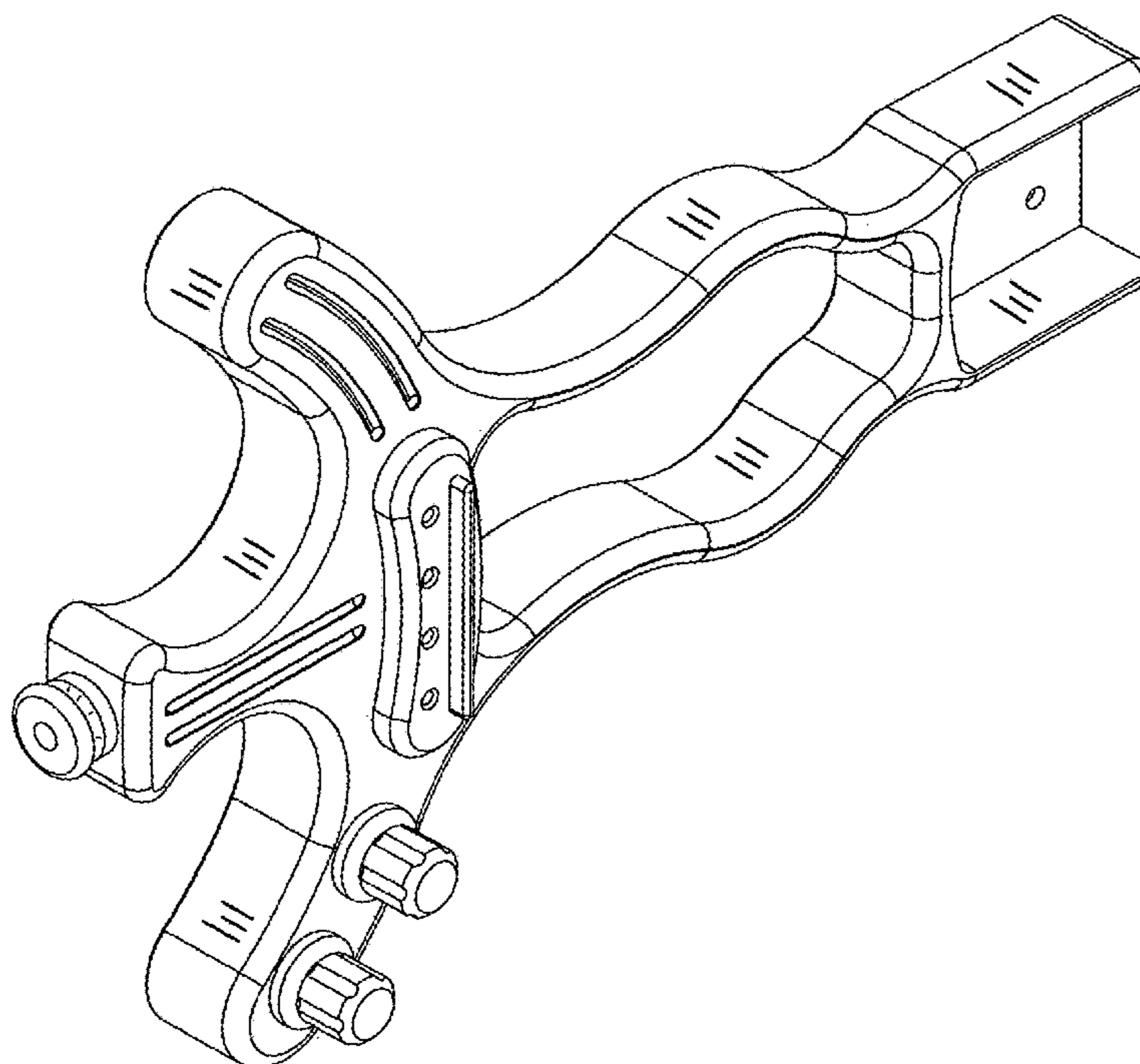
(57) **CLAIM**

The ornamental design for a ukulele body, as shown.

DESCRIPTION

FIG. 1 is a perspective view of a ukulele body showing my new design;
FIG. 2 is a front elevation view thereof;
FIG. 3 is a rear elevation view thereof;
FIG. 4 is a left side elevation view thereof;
FIG. 5 is a right side elevation view thereof;
FIG. 6 is a top plan view thereof; and,
FIG. 7 is a bottom plan view thereof.
The broken lines in the figures illustrates portions of the ukulele body that form no part of the claimed design.

1 Claim, 5 Drawing Sheets



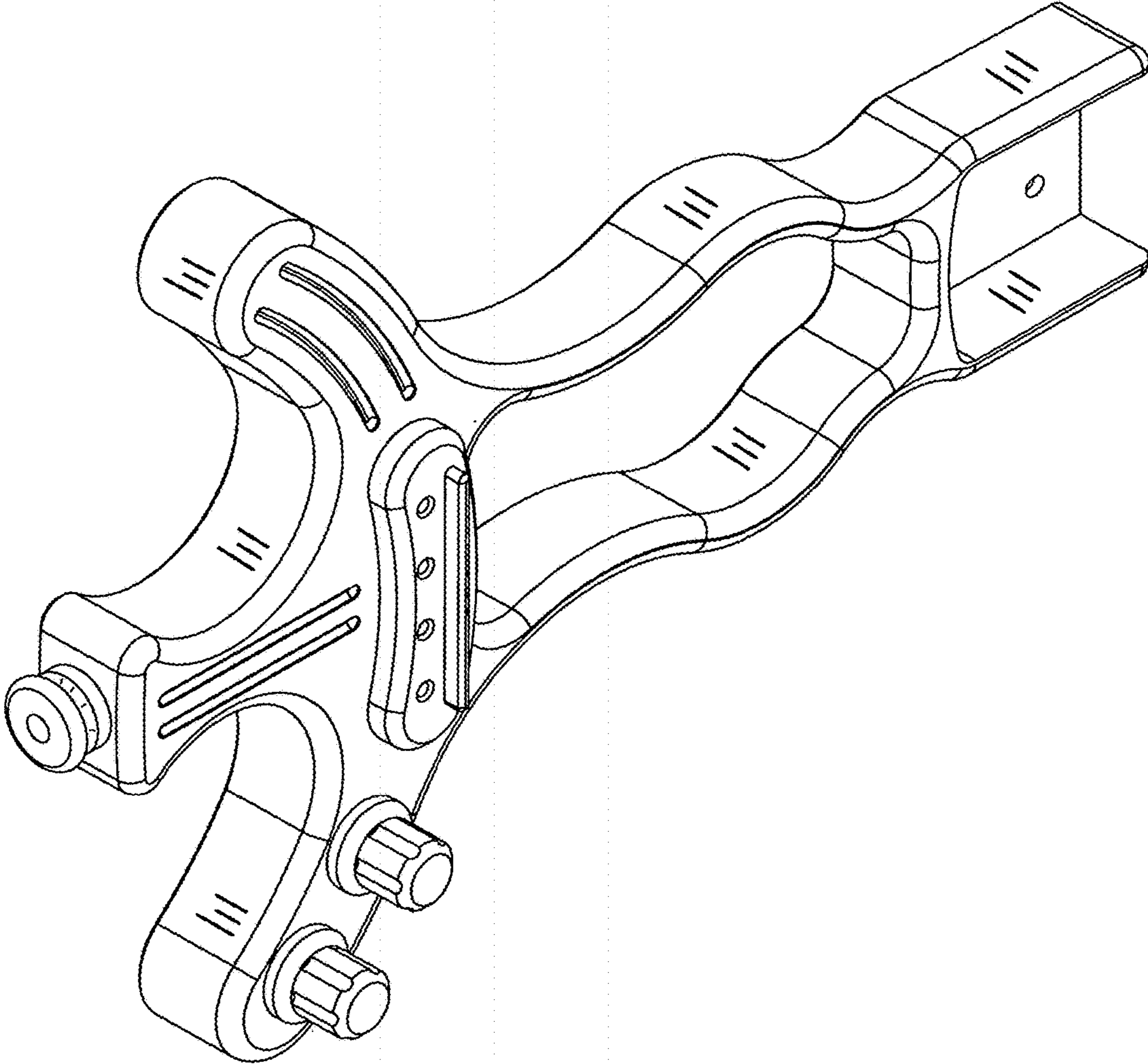


FIG. 1

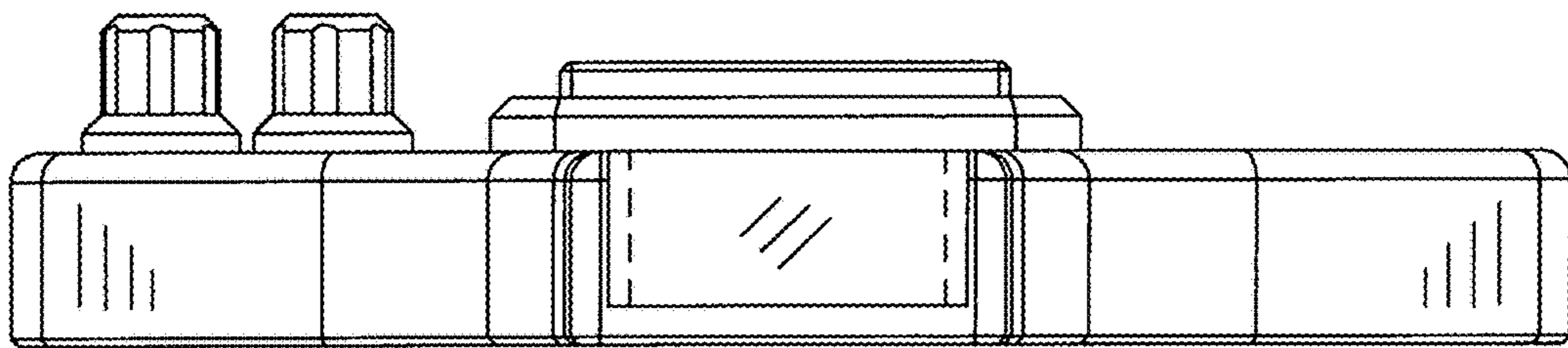


FIG. 2

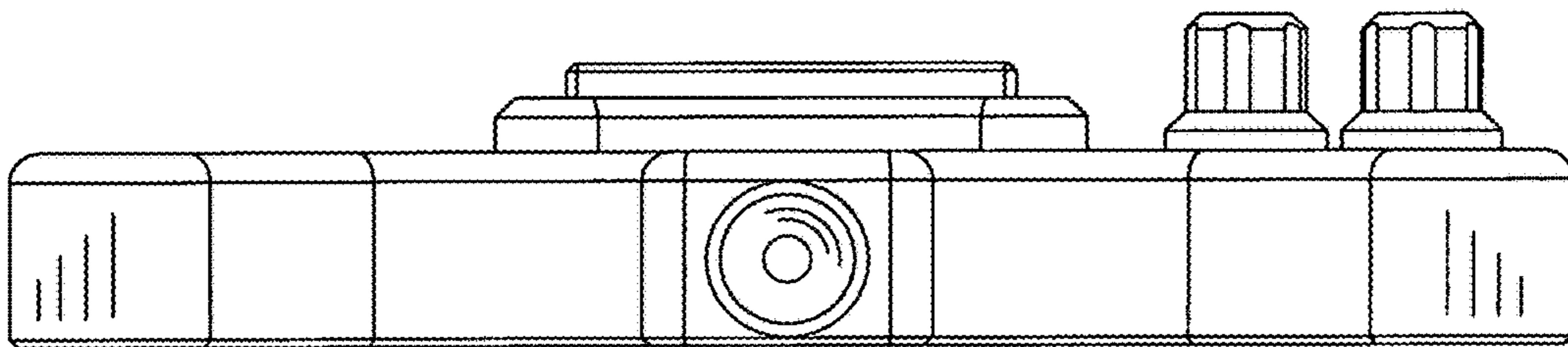


FIG. 3

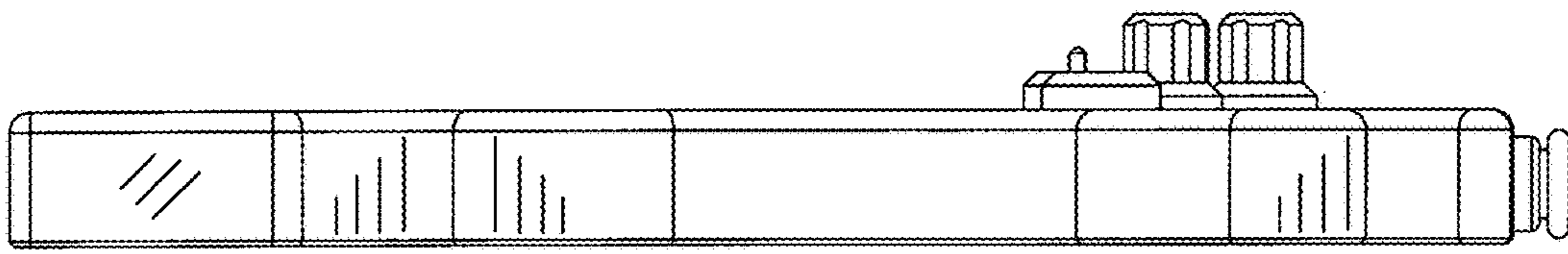


FIG. 4

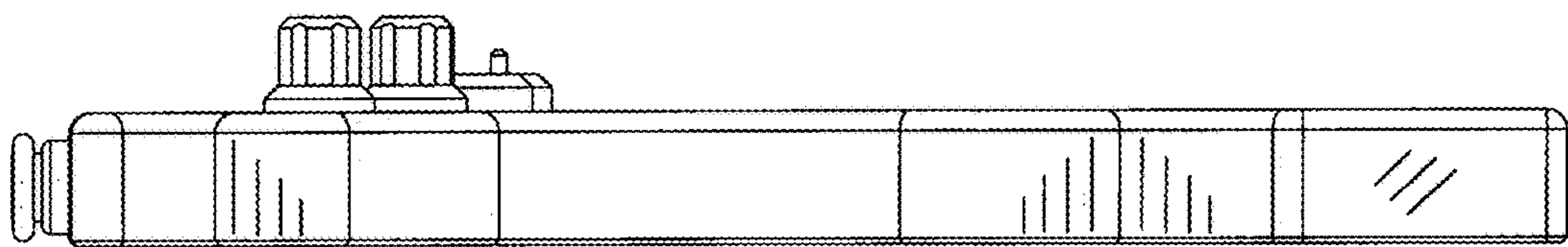


FIG. 5

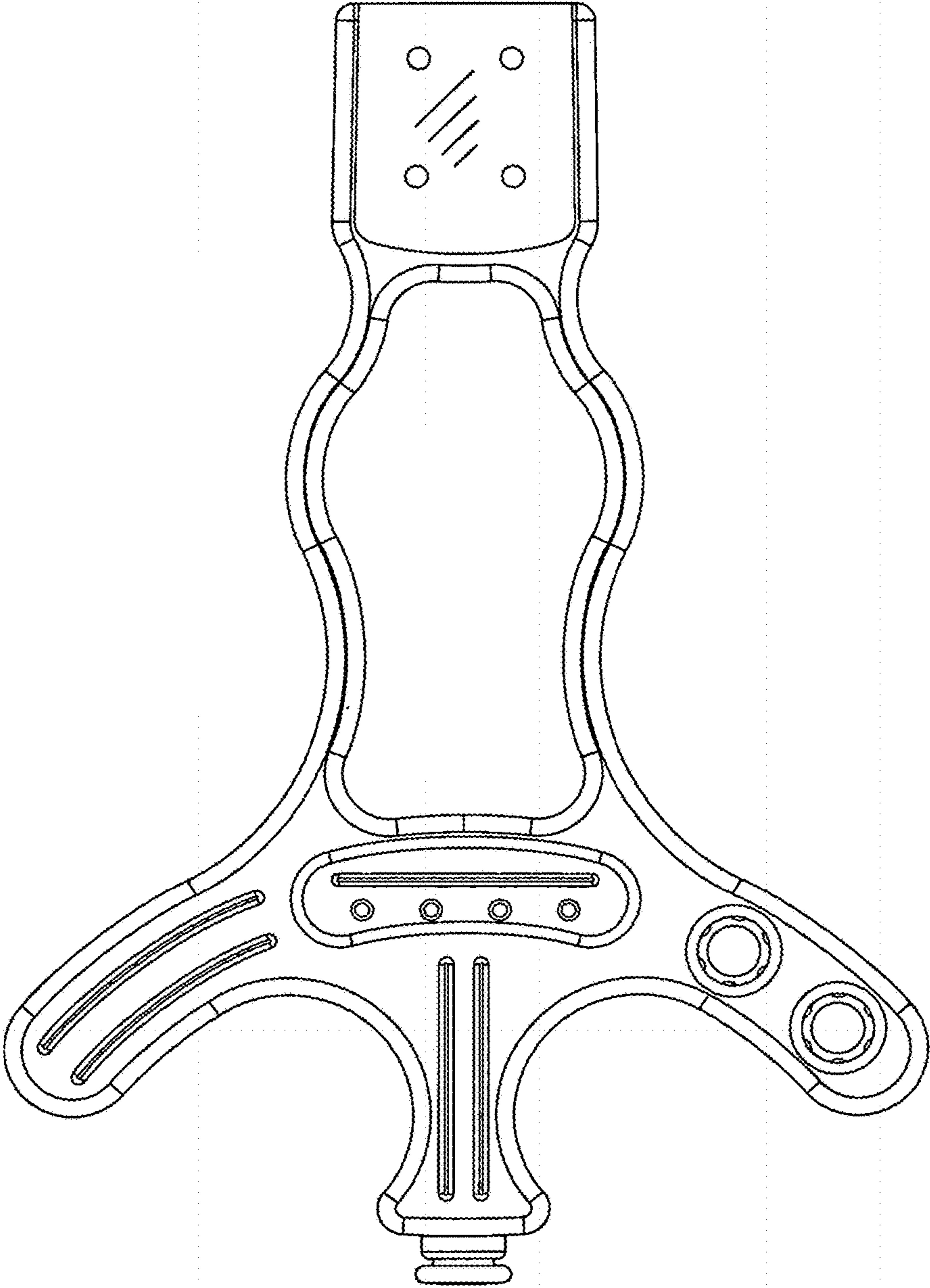


FIG. 6

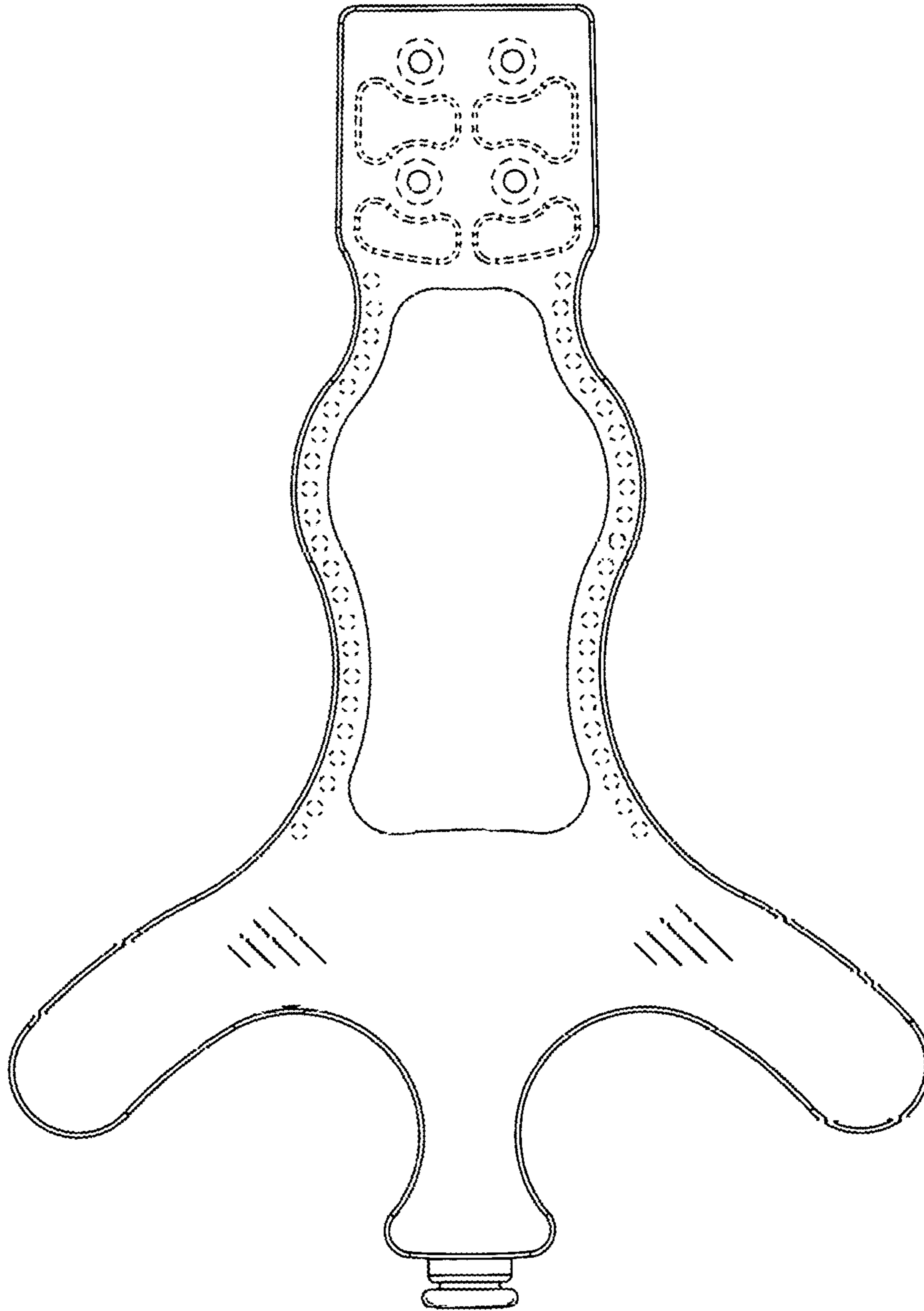


FIG. 7