



US00D775265S

(12) **United States Design Patent**
Fuchs

(10) **Patent No.:** **US D775,265 S**
(45) **Date of Patent:** **** Dec. 27, 2016**

(54) **EYEGLASSES**

(71) Applicant: **Silhouette International Schmied AG**,
Linz (AT)

(72) Inventor: **Gerhard Fuchs**, Kauns (AT)

(73) Assignee: **Silhouette International Schmied AG**,
Linz (AT)

(**) Term: **15 Years**

(21) Appl. No.: **29/550,864**

(22) Filed: **Jan. 7, 2016**

(30) **Foreign Application Priority Data**

Jul. 20, 2015 (EM) 002739557

(51) **LOC (10) Cl.** **16-06**

(52) **U.S. Cl.**
USPC **D16/326**

(58) **Field of Classification Search**

USPC D16/101, 300-342, 900; D29/109-110;
351/41, 44, 51-52, 62, 158, 92, 103-123,
351/140-153, 63, 59, 45-48; 2/426-432,
2/447-449, 441, 434-437, 440, 442, 13,
2/15; D21/483, 659-661; D14/372;
D8/356

CPC G02C 2200/08; G02C 1/06; G02C 5/14;
G02C 11/02; G02C 11/04; G01C 5/16;
A61M 2021/0044; A63B 33/002

See application file for complete search history.

(56) **References Cited**

U.S. PATENT DOCUMENTS

D544,901 S 6/2007 Fuchs
D552,156 S 10/2007 Fuchs

D567,838 S 4/2008 Fuchs
D568,922 S * 5/2008 Anderl D16/326
D593,145 S 5/2009 Fuchs
D632,327 S 2/2011 Fuchs
D634,349 S 3/2011 Fuchs
D634,774 S 3/2011 Fuchs
D654,531 S * 2/2012 Markovitz D16/326
D678,390 S 3/2013 Fuchs
D712,452 S 9/2014 Fuchs
D720,800 S * 1/2015 Shin D16/326
D742,958 S * 11/2015 Teodorovic D16/300
D743,477 S 11/2015 Strecker
D752,678 S * 3/2016 Thixton D16/326
D761,898 S * 7/2016 Yoo D16/326

* cited by examiner

Primary Examiner — Raphael Barkai

(74) *Attorney, Agent, or Firm* — Alston & Bird LLP

(57) **CLAIM**

I claim the ornamental design for eyeglasses, as shown and described.

DESCRIPTION

FIG. 1 is a perspective view of eyeglasses showing my new design;

FIG. 2 is a front elevation view thereof;

FIG. 3 is a rear elevation view thereof;

FIG. 4 is a top plan view thereof;

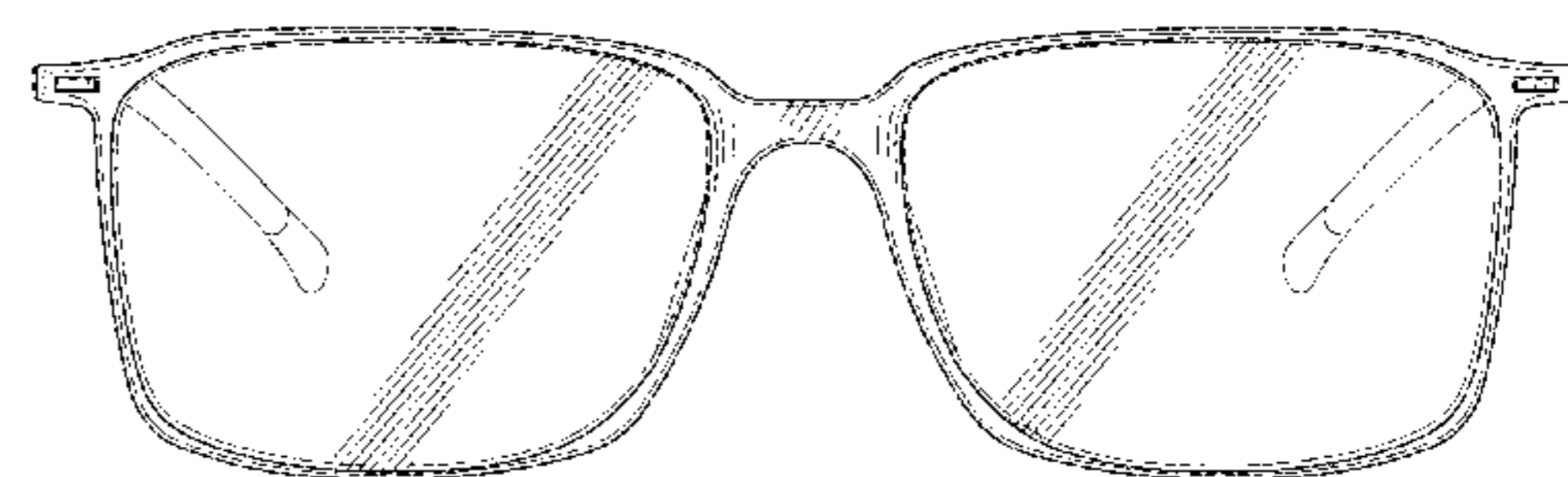
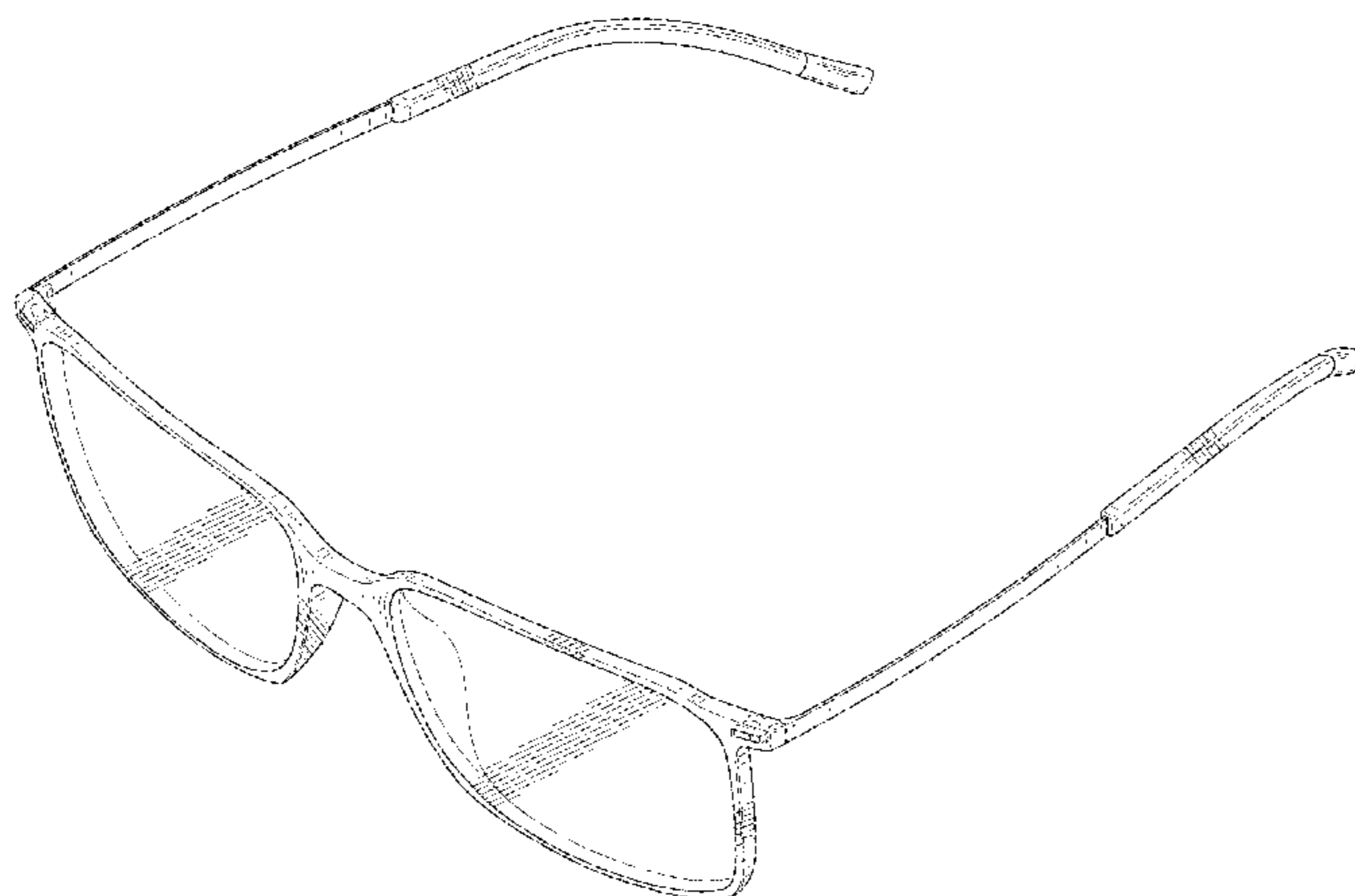
FIG. 5 is a bottom plan view thereof;

FIG. 6 is a right side elevation view thereof, the left side being a mirror image thereof; and,

FIG. 7 is a left side elevation cross-section view thereof taken along line 7-7 in FIG. 4.

The broken lines are directed to unclaimed features. The broken lines form no part of the claimed design.

1 Claim, 5 Drawing Sheets



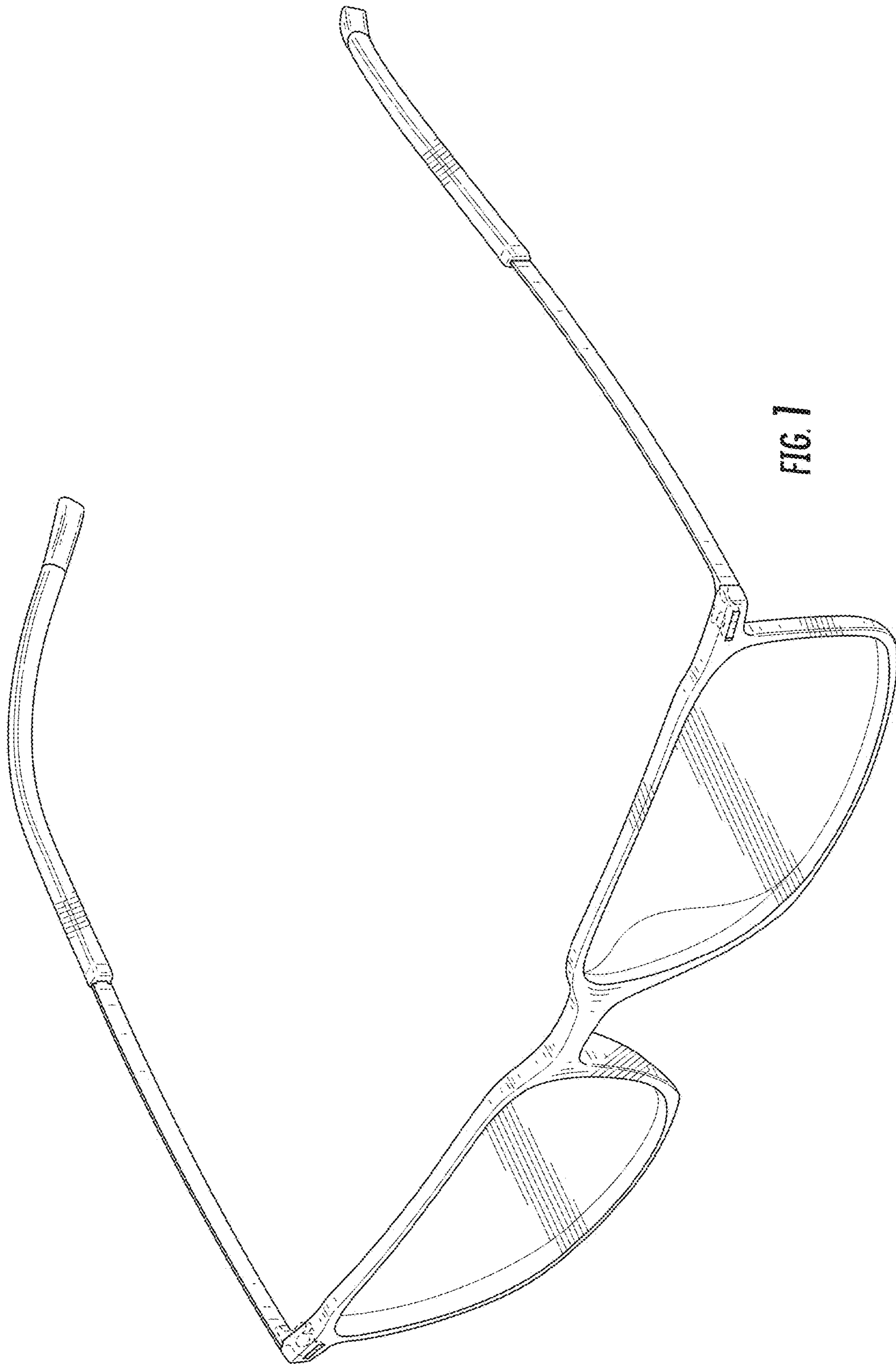


FIG. 1

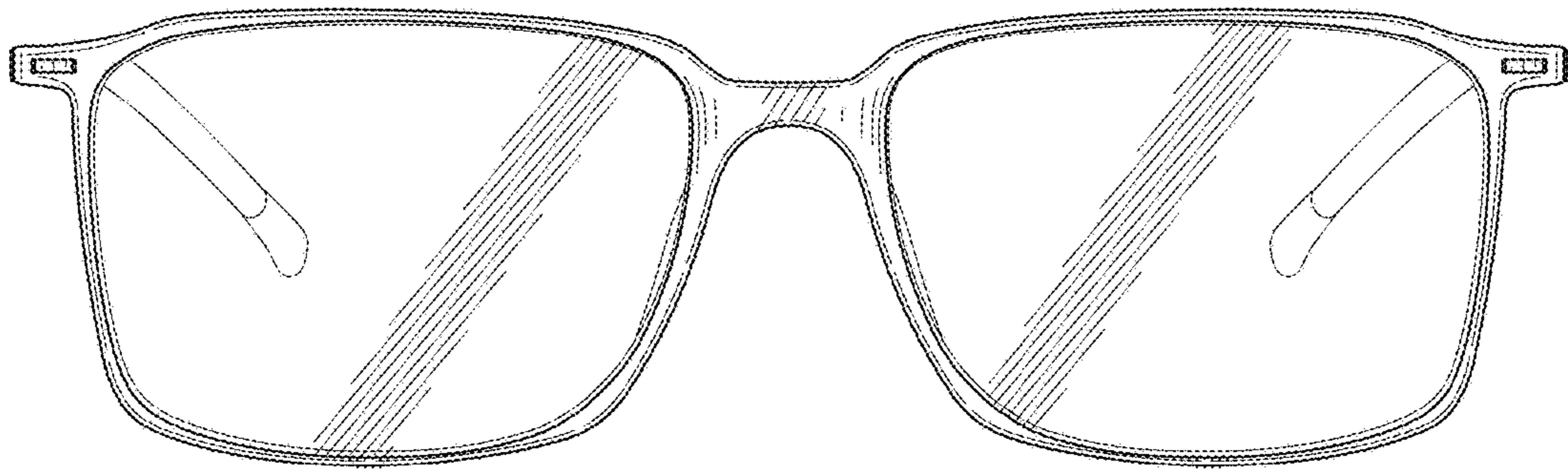


FIG. 2

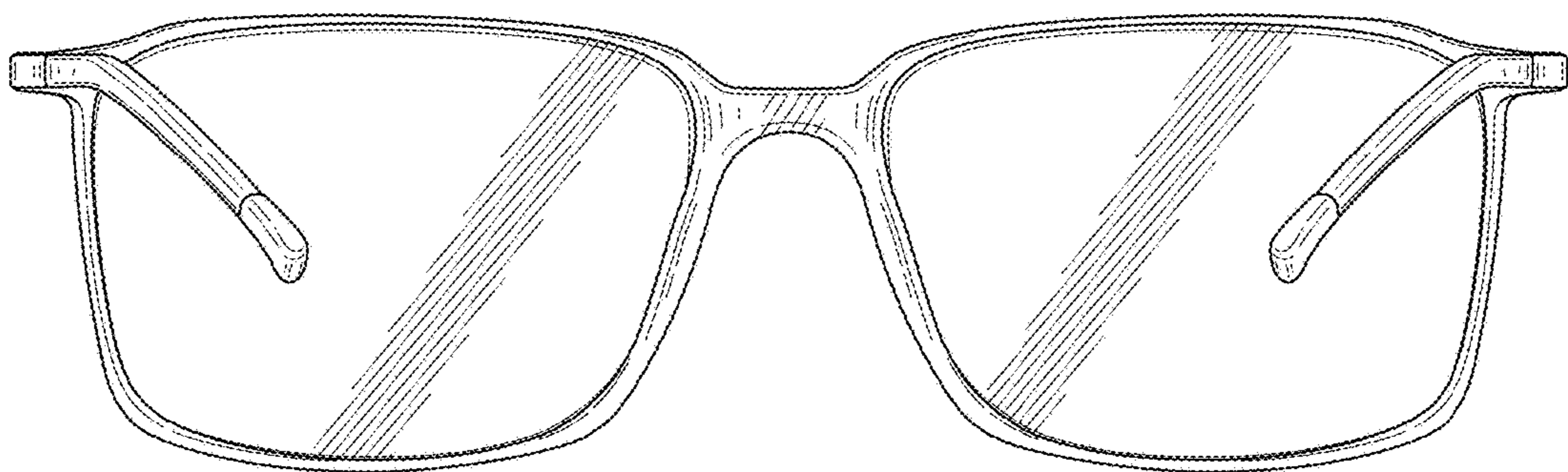


FIG. 3

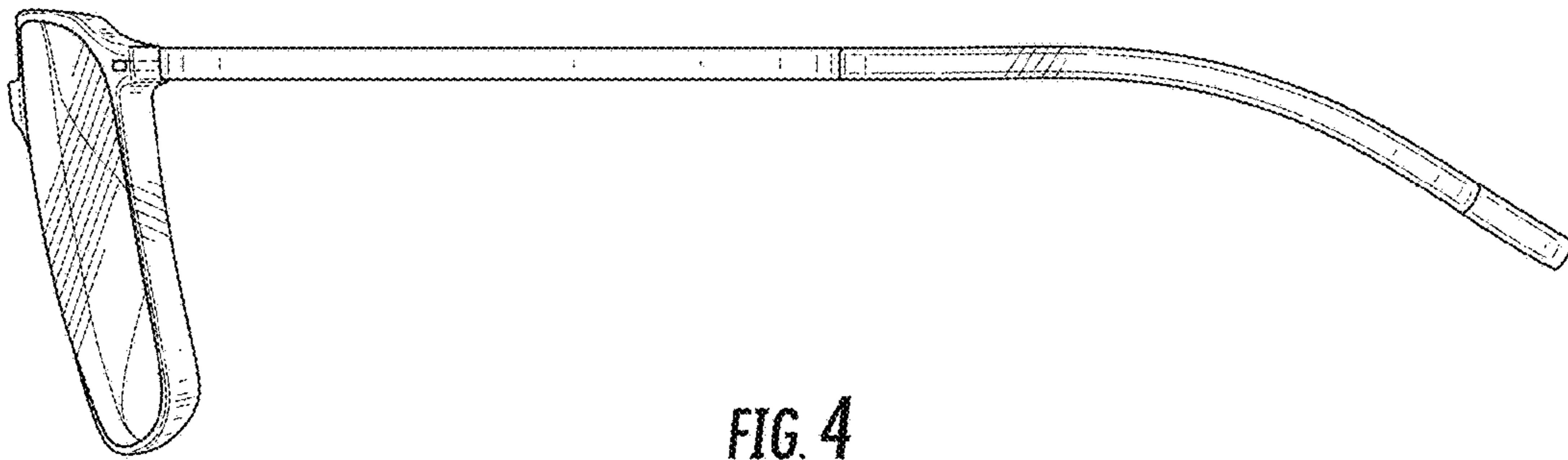


FIG. 4

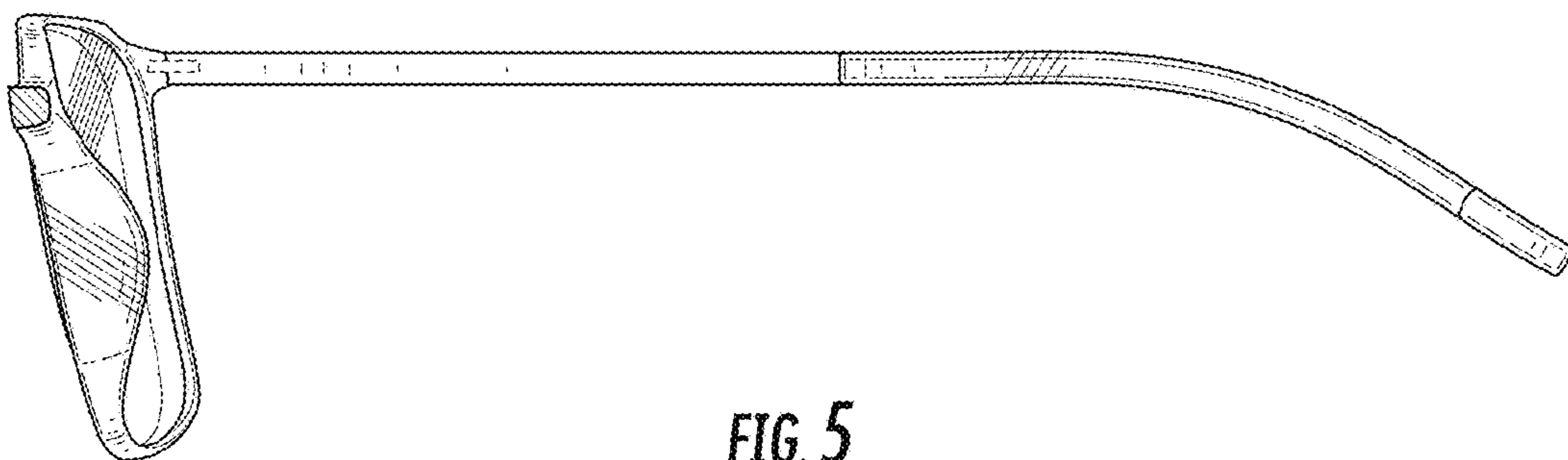


FIG. 5

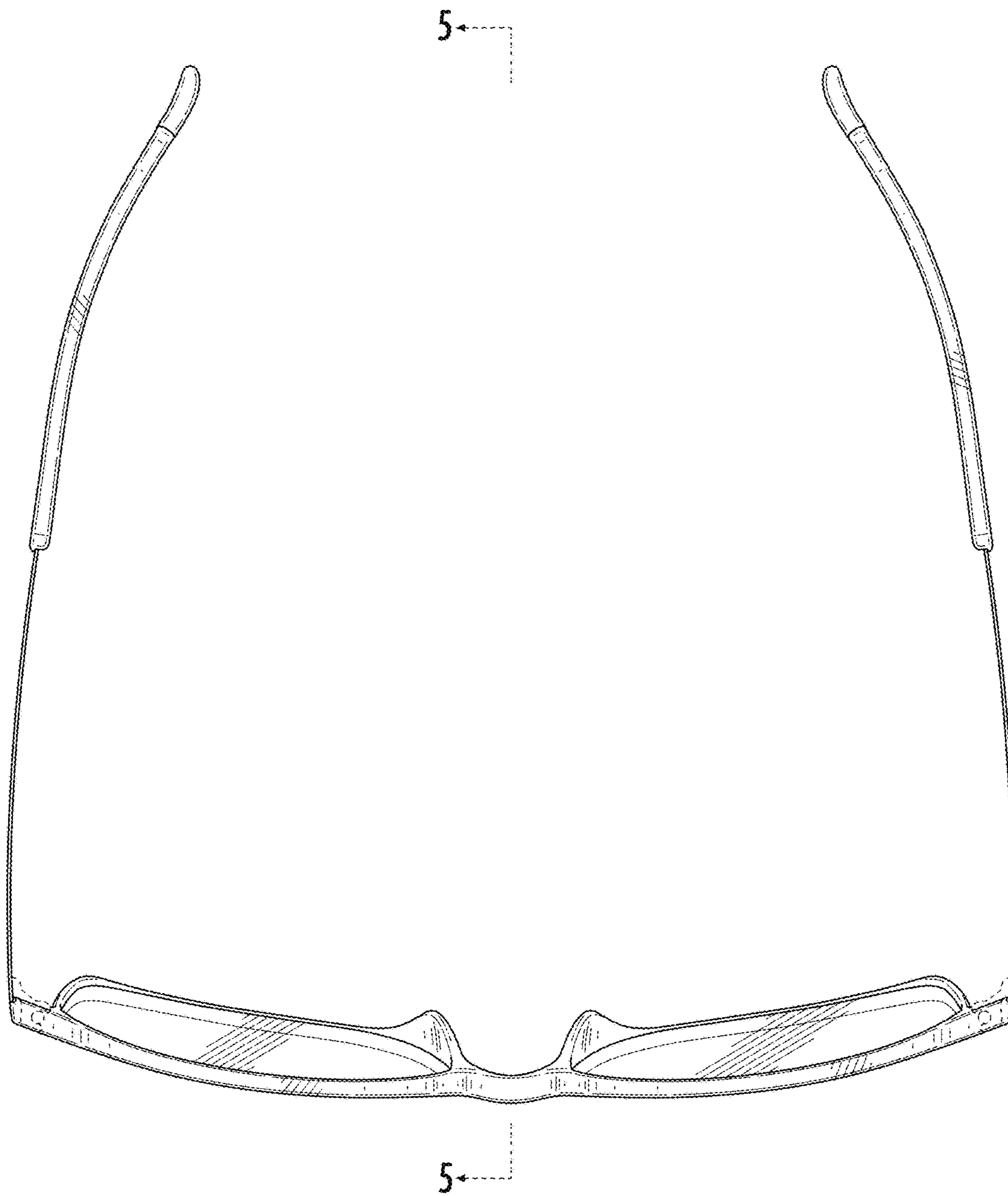


FIG. 6

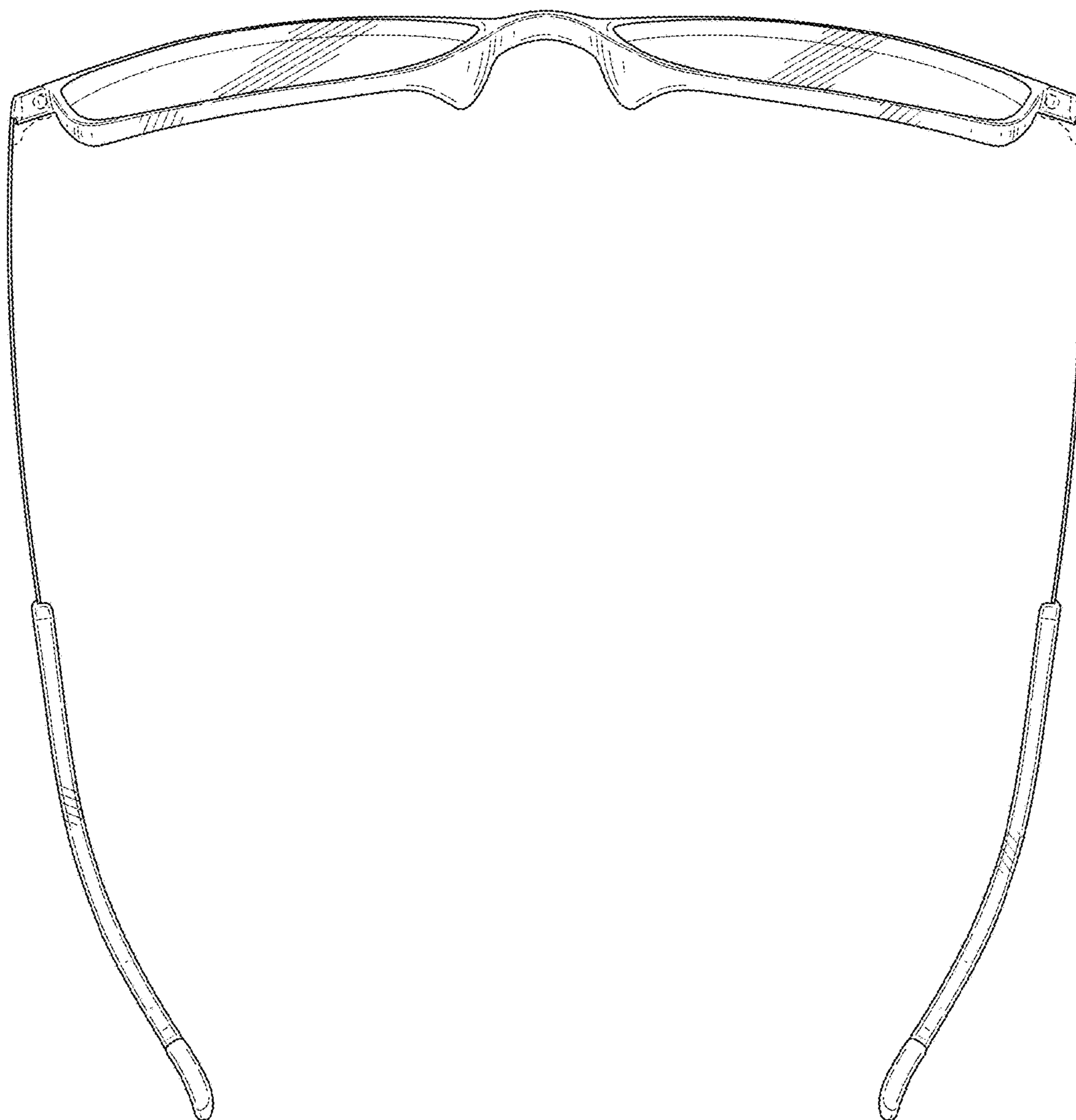


FIG. 7