



US00D775264S

(12) **United States Design Patent** (10) **Patent No.:** **US D775,264 S**  
**Fuchs** (45) **Date of Patent:** **\*\* Dec. 27, 2016**

- (54) **EYEGLASSES**
- (71) Applicant: **Silhouette International Schmied AG**,  
Linz (AT)
- (72) Inventor: **Gerhard Fuchs**, Kauns (AT)
- (73) Assignee: **Silhouette International Schmied AG**,  
Linz (AT)
- (\*\*) Term: **15 Years**
- (21) Appl. No.: **29/550,860**
- (22) Filed: **Jan. 7, 2016**
- (30) **Foreign Application Priority Data**

Jul. 20, 2015 (EM) ..... 002739557

(51) **LOC (10) Cl.** ..... **16-06**

(52) **U.S. Cl.**  
USPC ..... **D16/326; D16/327**

(58) **Field of Classification Search**  
USPC ..... D16/101, 300-342, 900; D29/109-110;  
351/41, 44, 51-52, 62, 158, 92, 103-123,  
351/140-153, 63, 59, 45-48; 2/426-432,  
2/447-449, 441, 434-437, 440, 442, 13,  
2/15; D21/483, 659-661; D14/372;  
D8/356

CPC ..... G02C 2200/08; G02C 1/06; G02C 5/14;  
G02C 11/02; G02C 11/04; G01C 5/16;  
A61M 2021/0044; A63B 33/002

See application file for complete search history.

(56) **References Cited**

**U.S. PATENT DOCUMENTS**

- D383,149 S \* 9/1997 Simioni ..... D16/326
- D402,305 S \* 12/1998 Tragatschnig ..... D16/326

- D544,901 S 6/2007 Fuchs
- D552,156 S 10/2007 Fuchs
- D567,838 S 4/2008 Fuchs
- D567,840 S \* 4/2008 Miklitarian ..... D16/315
- D568,368 S \* 5/2008 Hofmann ..... D16/326
- D580,963 S \* 11/2008 Yee ..... D16/326
- D593,145 S 5/2009 Fuchs
- D602,976 S \* 10/2009 Corcagnani ..... D16/315
- D623,216 S \* 9/2010 Rohrbach ..... D16/320
- D632,327 S 2/2011 Fuchs
- D634,349 S 3/2011 Fuchs
- D634,774 S 3/2011 Fuchs
- D662,536 S \* 6/2012 Shin ..... D16/321
- D678,390 S 3/2013 Fuchs
- D712,452 S 9/2014 Fuchs
- D721,128 S \* 1/2015 Yoo ..... D16/321
- D743,477 S 11/2015 Strecker

\* cited by examiner

*Primary Examiner* — Raphael Barkai

(74) *Attorney, Agent, or Firm* — Alston & Bird LLP

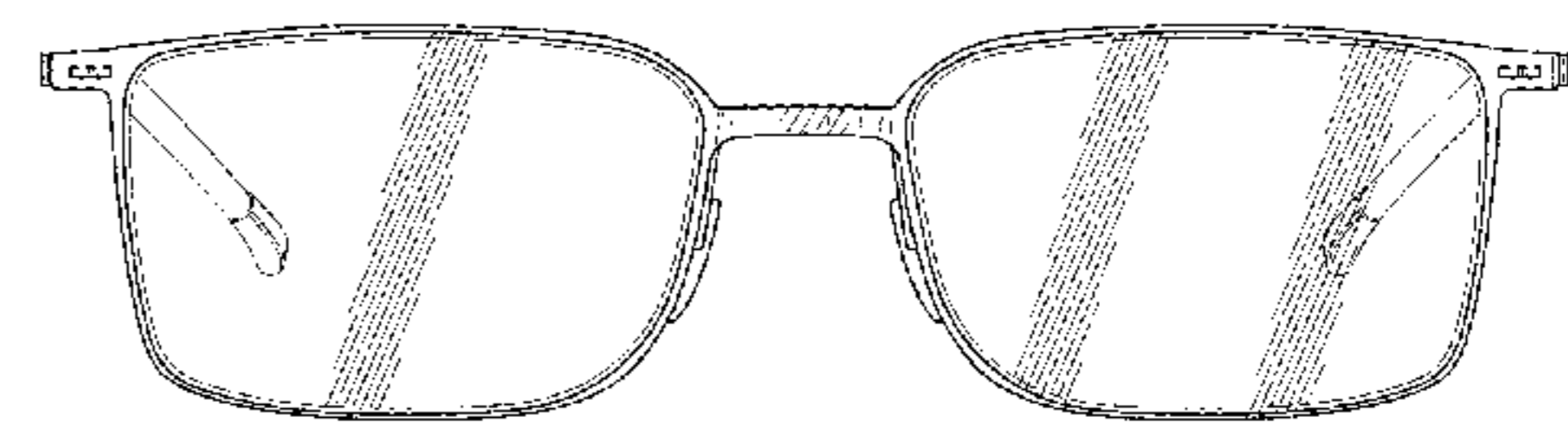
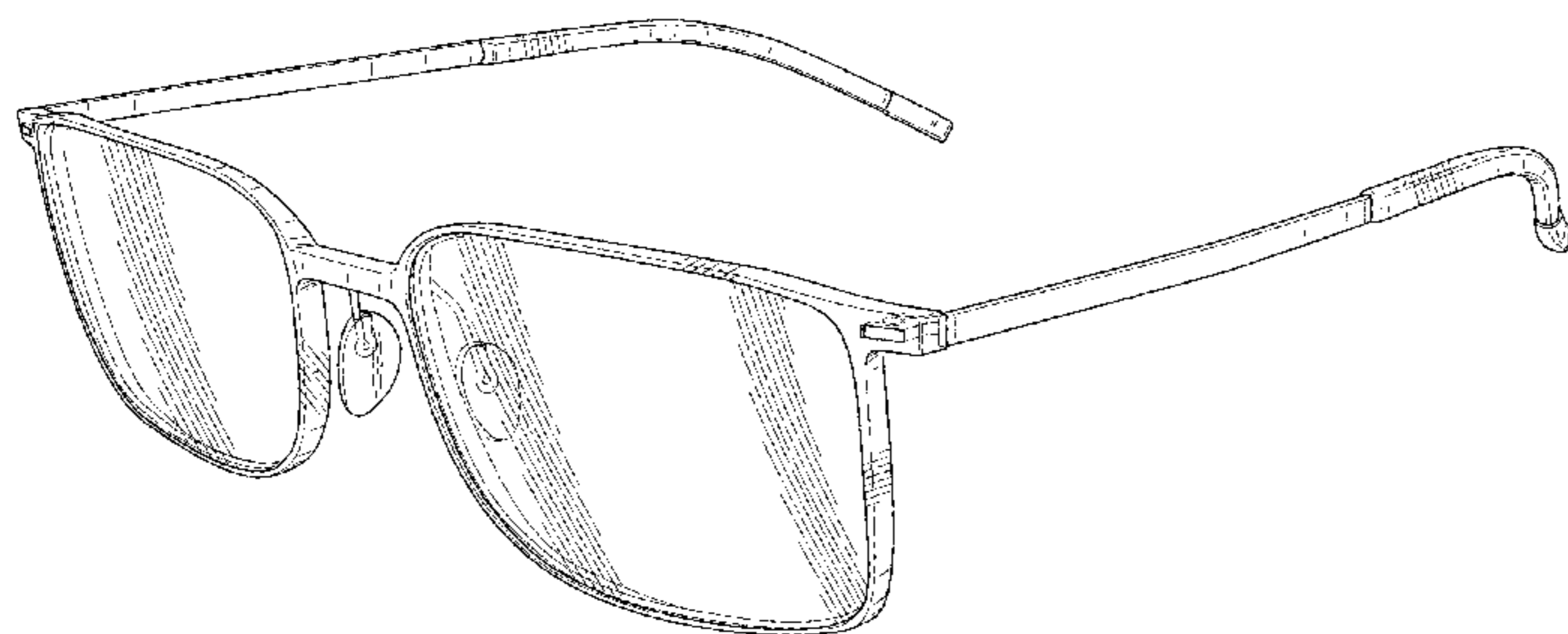
(57) **CLAIM**

I claim the ornamental design for eyeglasses, as shown and described.

**DESCRIPTION**

FIG. 1 is a perspective view of eyeglasses showing my new design;  
 FIG. 2 is a front elevation view thereof;  
 FIG. 3 is a rear elevation view thereof;  
 FIG. 4 is a top plan view thereof;  
 FIG. 5 is a bottom plan view thereof;  
 FIG. 6 is a right side elevation view thereof, the left side being a mirror image thereof; and,  
 FIG. 7 is a left side elevation cross-section view thereof taken along line 7-7 in FIG. 4.  
 The broken lines are directed to unclaimed features. The broken lines form no part of the claimed design.

**1 Claim, 5 Drawing Sheets**



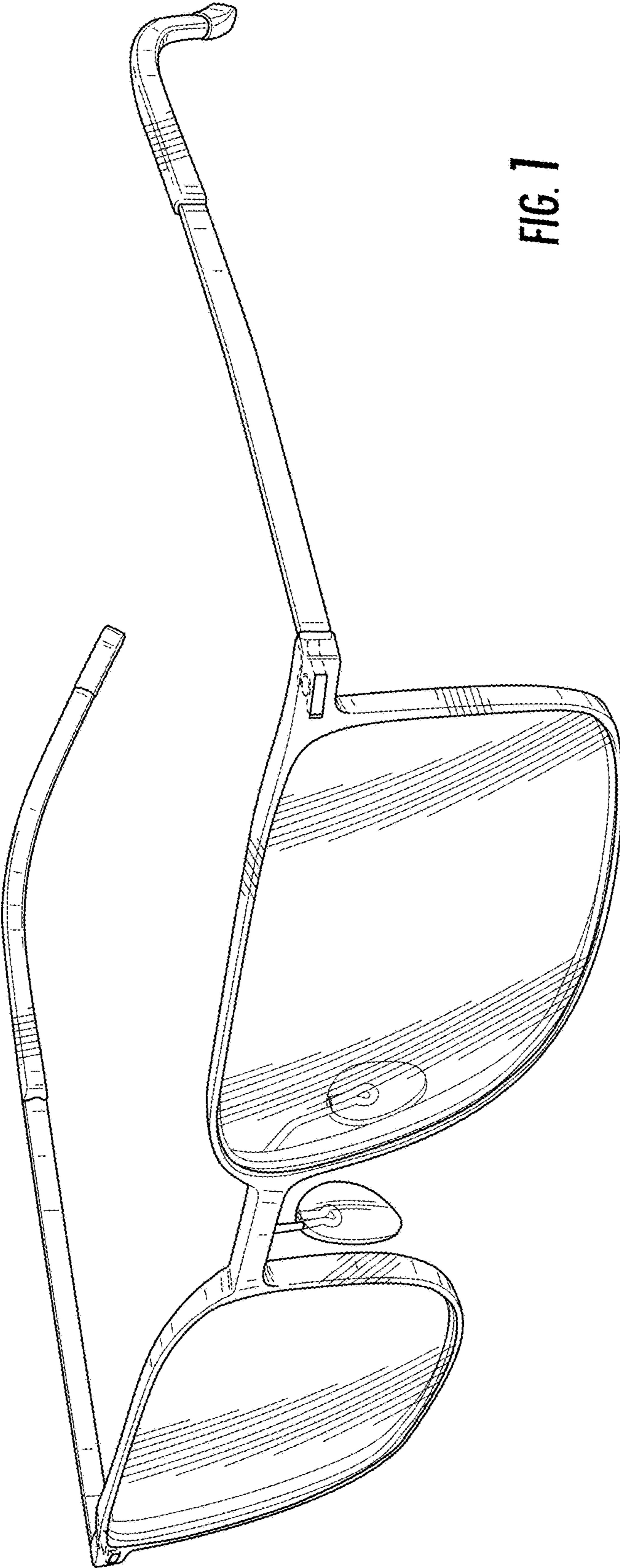


FIG. 1

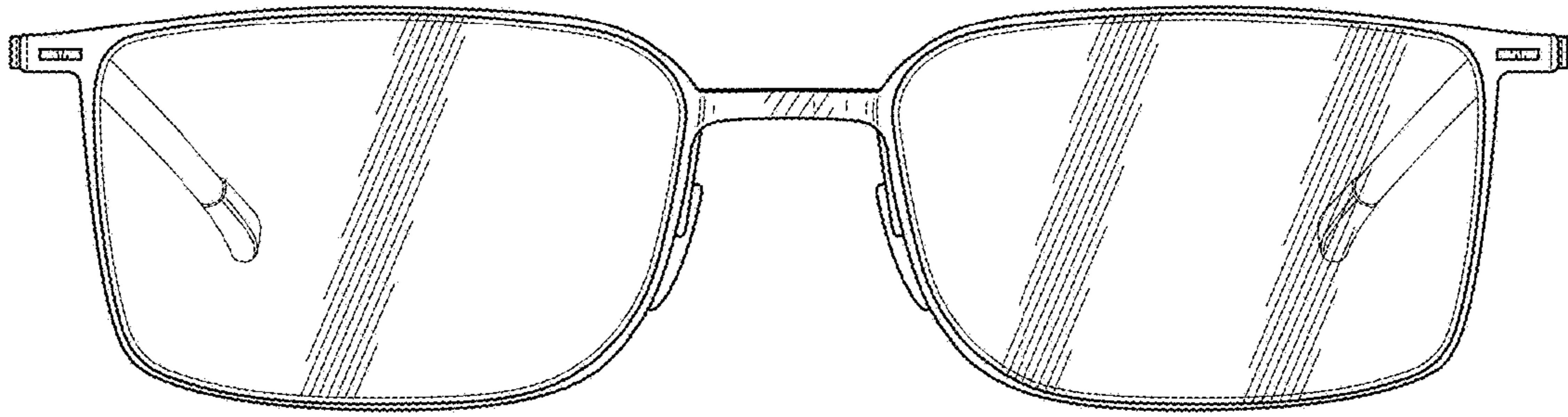


FIG. 2

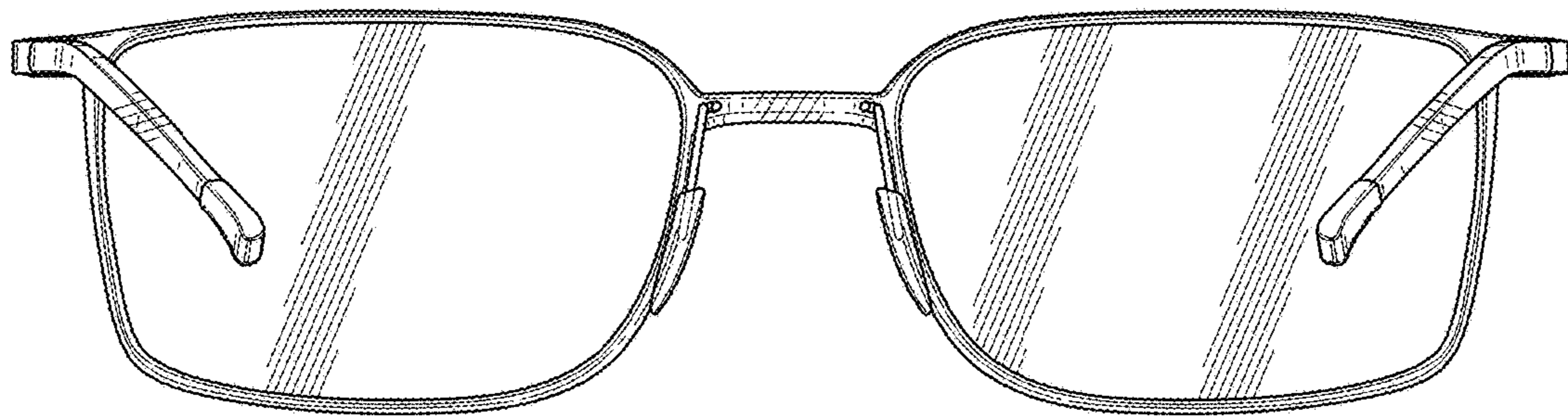


FIG. 3

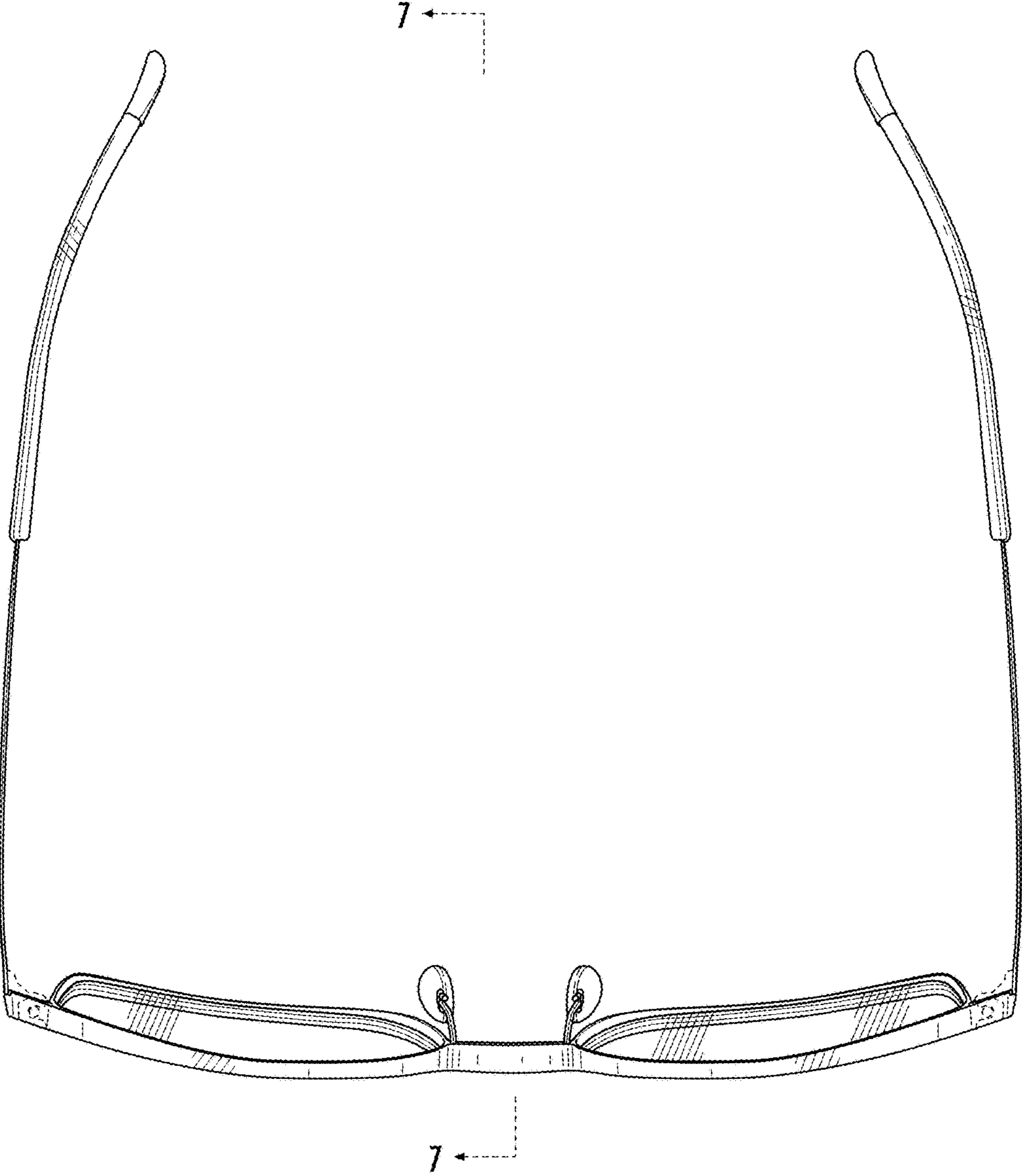


FIG. 4

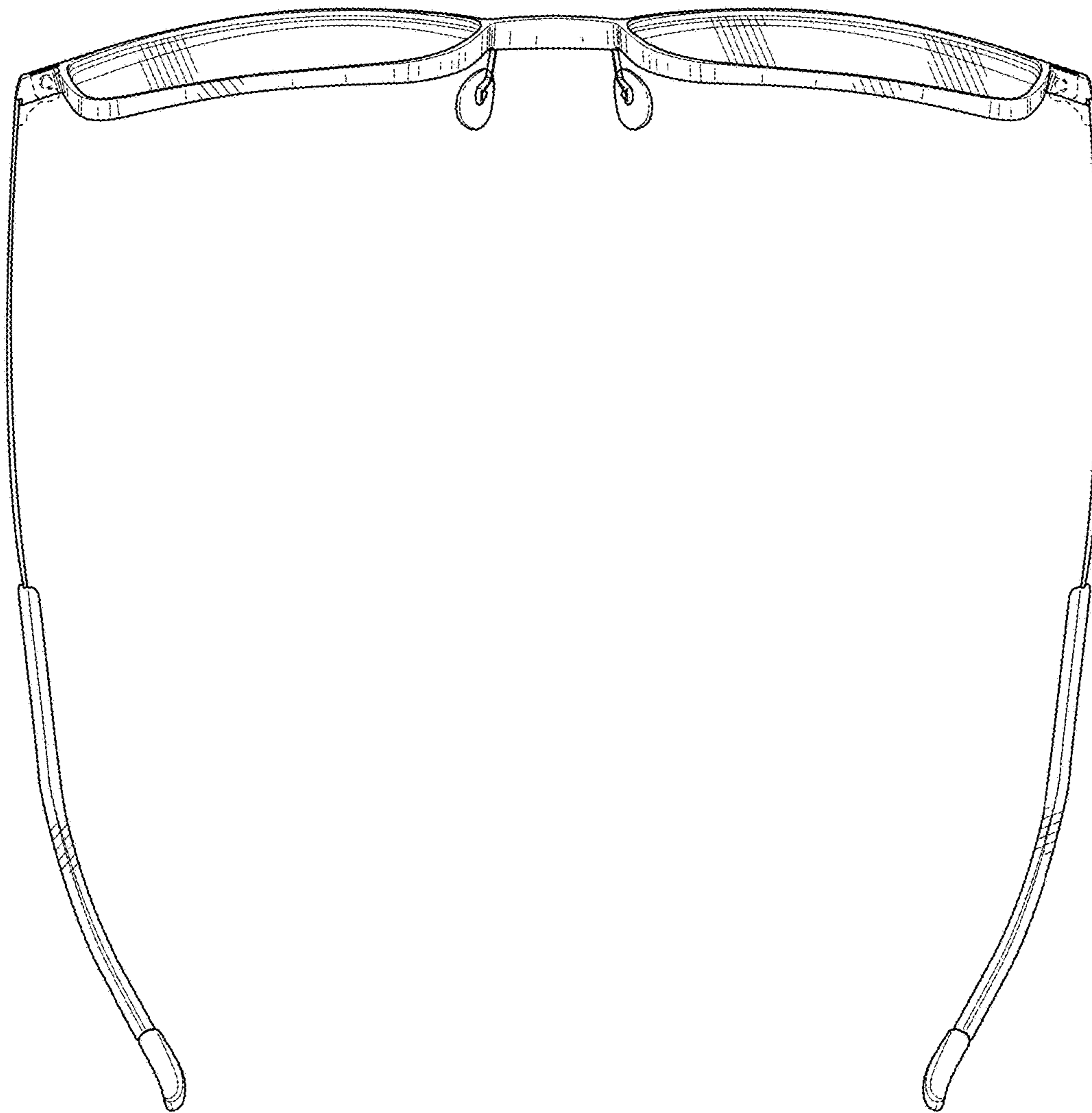


FIG. 5

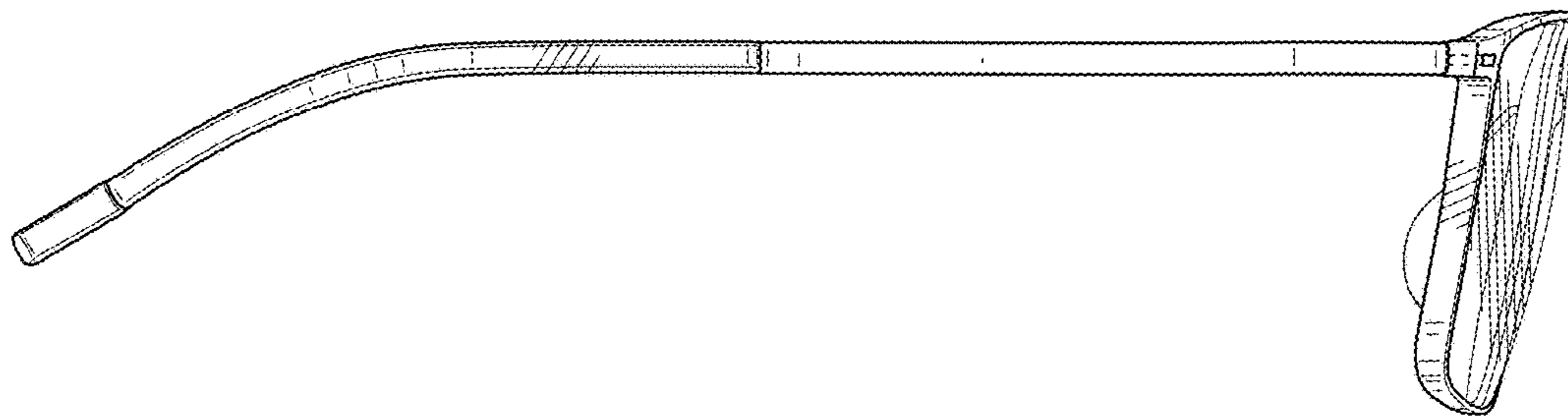


FIG. 6

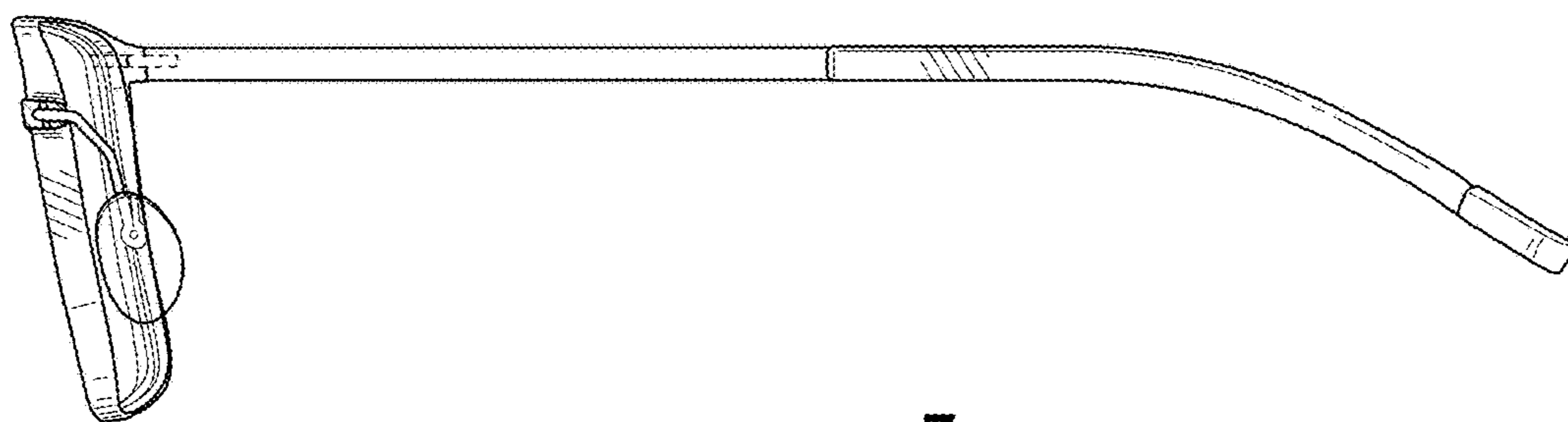


FIG. 7