



US00D775261S

(12) **United States Design Patent** (10) **Patent No.:** **US D775,261 S**  
**Katopis** (45) **Date of Patent:** **\*\* Dec. 27, 2016**

(54) **GOGGLES ADAPTED TO RECEIVE A DEVICE**

Conan360 VR Viewer teamcoco.com/content/conan-360-request-cardboard.

(71) Applicant: **Chris J. Katopis**, Washington, DC (US)

*Primary Examiner* — Raphael Barkai  
(74) *Attorney, Agent, or Firm* — Chris J. Katopis

(72) Inventor: **Chris J. Katopis**, Washington, DC (US)

(\*\*) Term: **15 Years**

(57) **CLAIM**

The ornamental design for goggles adapted to receive a device, as shown and described.

(21) Appl. No.: **29/533,876**

(22) Filed: **Jul. 22, 2015**

(51) **LOC (10) Cl.** ..... **16-06**

(52) **U.S. Cl.**

USPC ..... **D16/309**; D16/304; D16/300

(58) **Field of Classification Search**

USPC ..... D16/101, 300–342, 900; D29/109–110;  
351/41, 44, 51–52, 62, 158, 92, 103–123,  
351/140–153, 63, 59, 45–48; 2/426–432,  
2/447–449, 441, 434–437, 440, 442, 13,  
2/15; D21/483, 659–661; D14/372;  
D8/356

CPC ..... G02C 2200/08; G02C 1/06; G02C 5/14;  
G02C 11/02; G02C 11/04; G01C 5/16;  
A61M 2021/0044; A63B 33/002

See application file for complete search history.

**DESCRIPTION**

FIG. 1 is a front perspective view of the goggles adapted to receive a device in an open position, showing my new design;

FIG. 2 is a front view, thereof;

FIG. 3 is a rear view, thereof;

FIG. 4 is a top plan view of said goggles being in the open position, thereof;

FIG. 5 is a bottom plan view of said goggles being in the open position, thereof;

FIG. 6 is a side view of said goggles, with the opposite side view being a mirror image, thereof.

FIG. 7 is an exemplary diagram showing the use of the goggles adapted to receive a device in an environment, the broken lines being shown for illustrative purposes only and form no part of the claimed design;

FIG. 8 is a front perspective view of said goggles in a closed position, thereof;

FIG. 9 is a top plan view of said goggles being in the closed position, thereof;

FIG. 10 is a bottom plan view of said goggles being in the closed position, thereof; and,

FIG. 11 is a side view of said goggles in a closed position, with the opposite side view being a mirror image, thereof.

In all figures, any showing of the environment and/or drawing disclosure and/or device by broken lines is for illustrative purposes only and forms no part of the claimed design.

(56) **References Cited**

**U.S. PATENT DOCUMENTS**

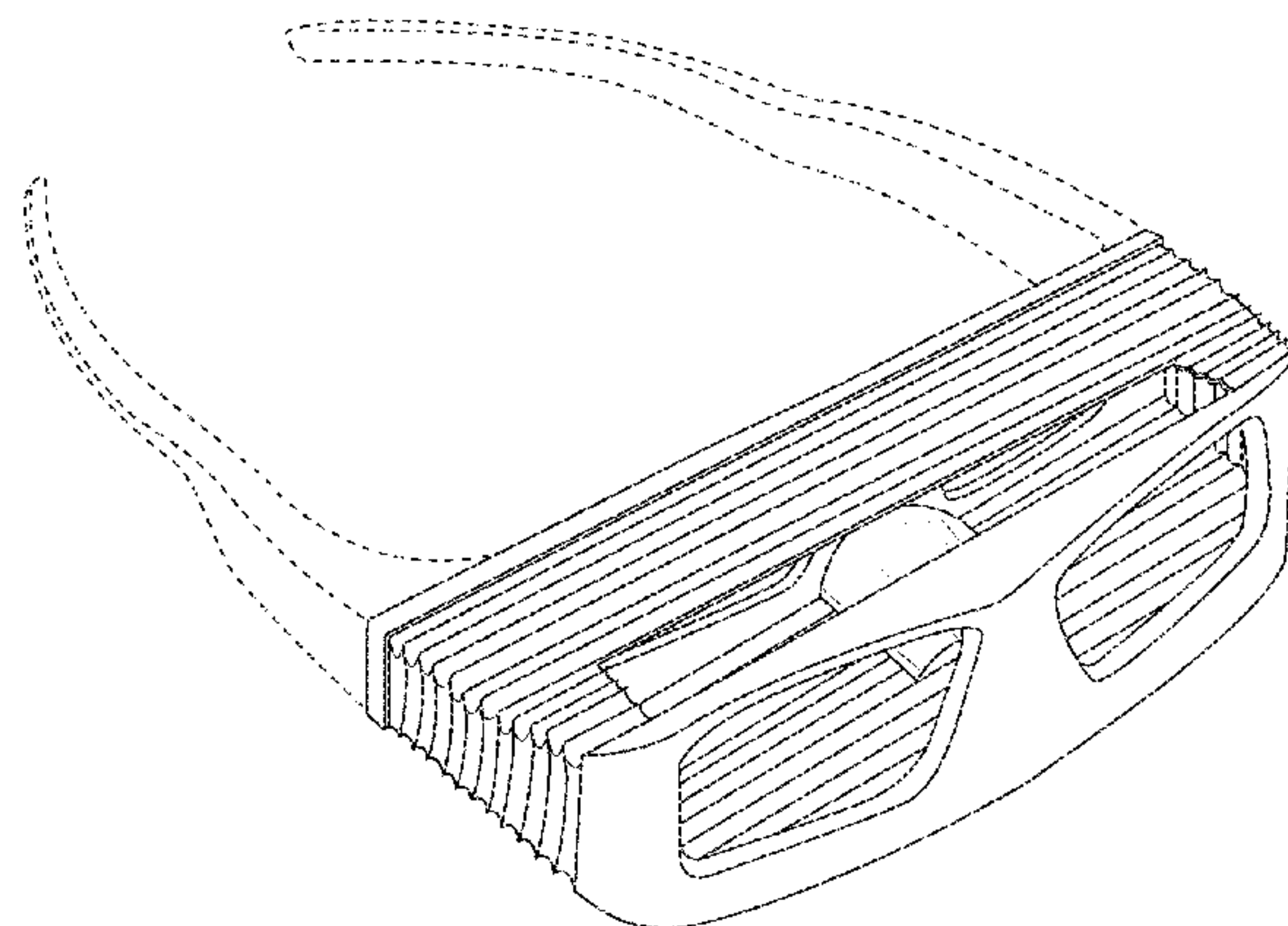
- 2,435,720 A 2/1948 Land
- 3,016,543 A \* 1/1962 Lindblom ..... A61F 9/061  
2/432
- 4,057,054 A \* 11/1977 Giannone ..... A61H 5/00  
351/158
- D273,819 S 5/1984 Yehl
- D274,385 S 6/1984 Newcomb
- D274,438 S 6/1984 Angerman et al.

(Continued)

**OTHER PUBLICATIONS**

Google Cardboard see [www.google.com/get/cardboard](http://www.google.com/get/cardboard).

(Continued)



The said goggles design comprises a chamber which can expand and contract. Accordingly, the specification and enclosed drawings provide the design in a closed and open position, as set forth below.

**1 Claim, 11 Drawing Sheets**

(56)

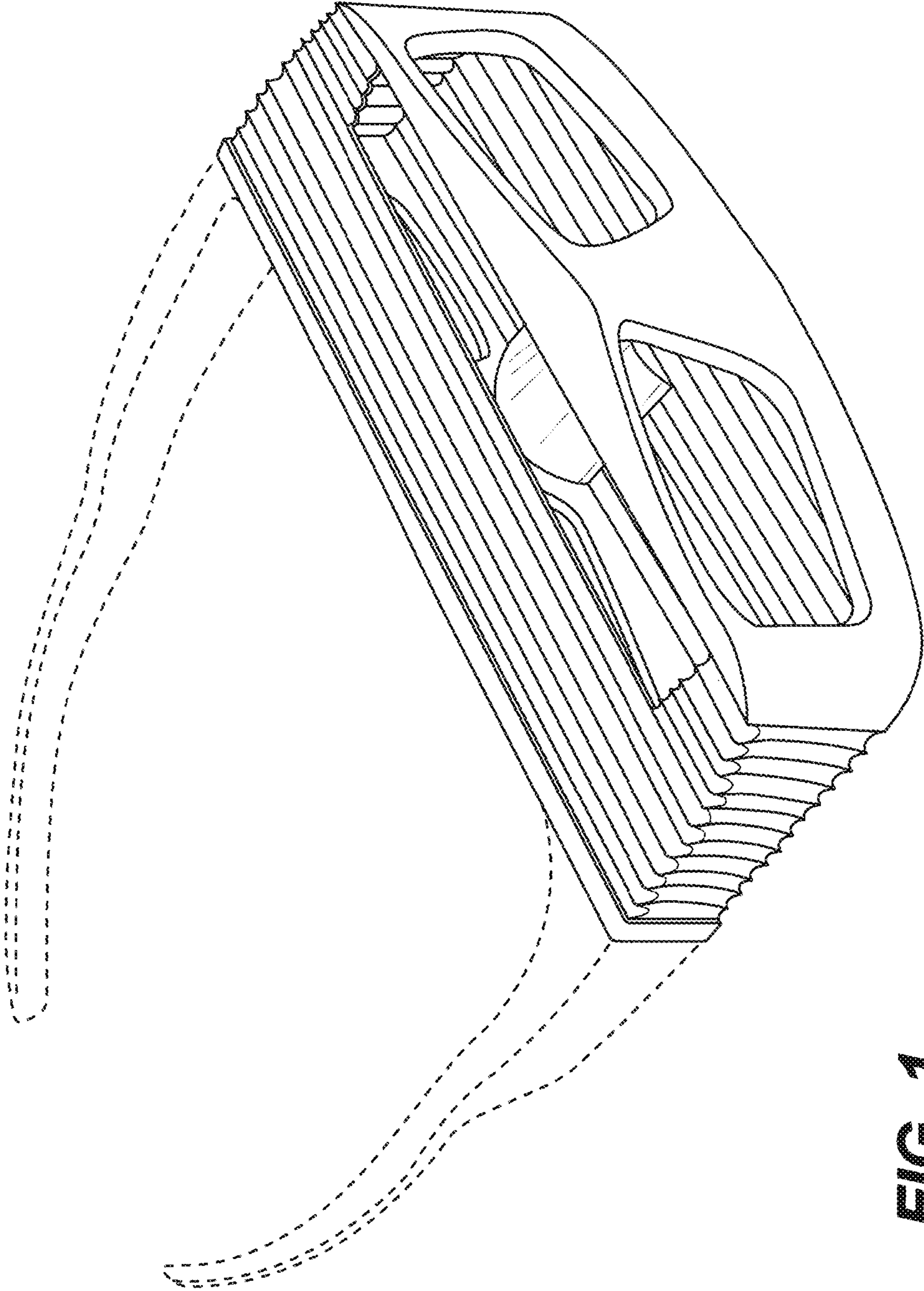
**References Cited**

U.S. PATENT DOCUMENTS

4,508,526 A \* 4/1985 Dutcher ..... G02C 5/2272  
351/49  
D285,020 S 8/1986 Schmidthaler  
4,637,696 A \* 1/1987 Wilkins ..... G02C 7/088  
351/158  
D294,710 S 3/1988 Witzel  
D314,001 S 1/1991 Nussbickl  
D322,795 S 12/1991 Dianitsch  
D327,489 S \* 6/1992 Kaye ..... D16/304  
D328,084 S 7/1992 Salce et al.  
D352,046 S 11/1994 Kataoka  
D358,150 S 5/1995 Lewis, Jr. et al.  
D359,502 S 6/1995 Hicks  
5,483,301 A \* 1/1996 Clarke ..... G02C 7/088  
351/155

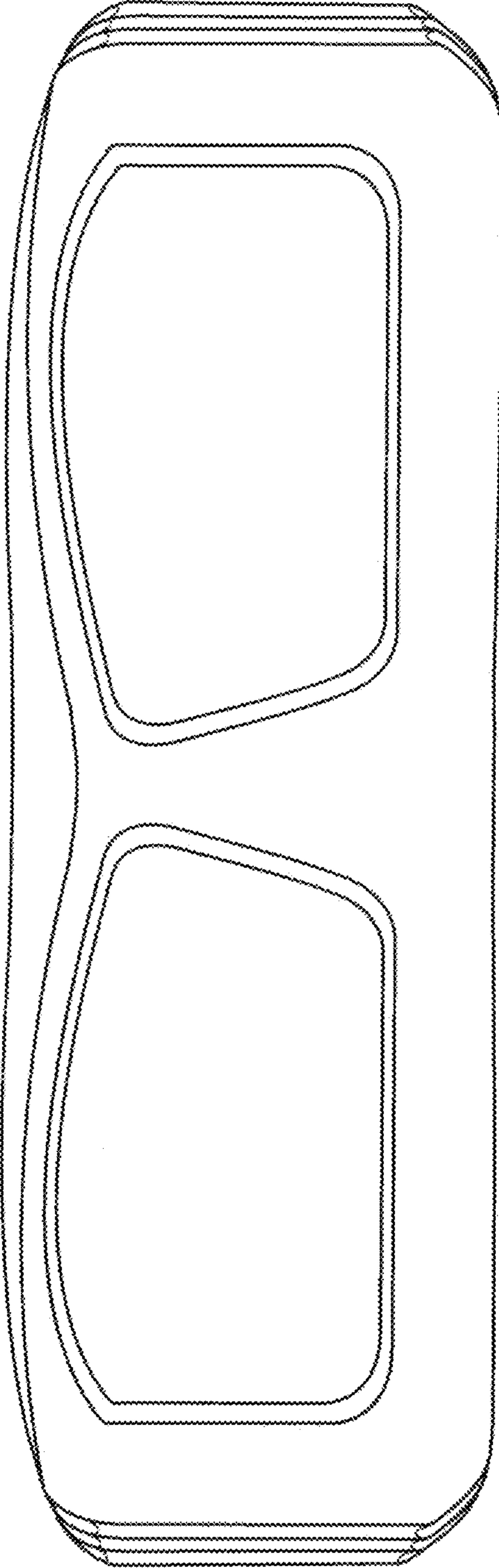
5,506,730 A 4/1996 Morley et al.  
5,715,030 A \* 2/1998 Quaresima ..... A61F 9/02  
2/12  
5,777,715 A \* 7/1998 Kruegle ..... G02B 23/125  
351/41  
6,386,701 B1 \* 5/2002 Khulusi ..... G02C 5/001  
351/158  
6,560,029 B1 5/2003 Dobbie et al.  
6,637,038 B1 10/2003 Hussey  
D541,837 S \* 5/2007 Smith ..... D16/304  
D551,280 S 9/2007 Li  
D601,641 S 10/2009 Yeung  
D636,810 S 4/2011 Hwang et al.  
8,011,026 B2 9/2011 Stevens  
D652,860 S 1/2012 Carlow et al.  
D658,701 S 5/2012 Linuma et al.  
8,166,578 B2 5/2012 Tan  
D662,965 S 7/2012 Carlow et al.  
D663,763 S 7/2012 Inui et al.  
D669,523 S 10/2012 Wakata et al.  
D872,804 12/2012 Carlow at al.  
8,458,823 B2 6/2013 Matera  
D701,556 S 3/2014 Cho  
8,782,820 B2 \* 7/2014 Park ..... A61F 9/029  
2/438  
D711,961 S 8/2014 Arnette  
D714,378 S 9/2014 Sandor  
D717,851 S 11/2014 Arnette  
D727,398 S 4/2015 Blanchard et al.

\* cited by examiner

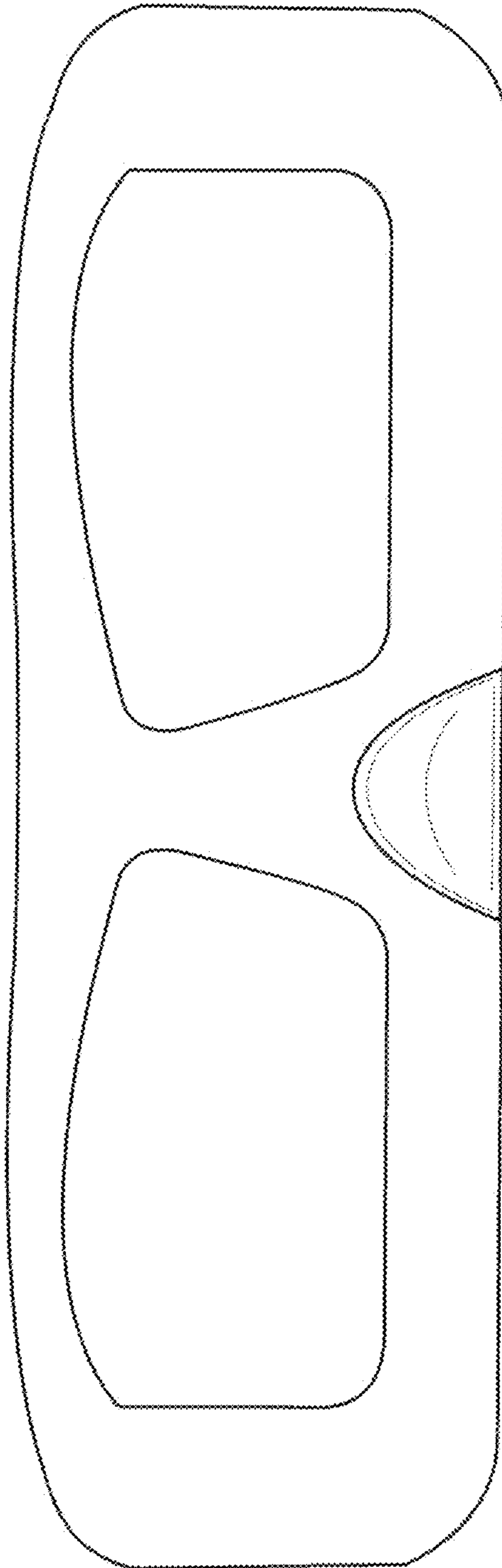


**FIG. 1**

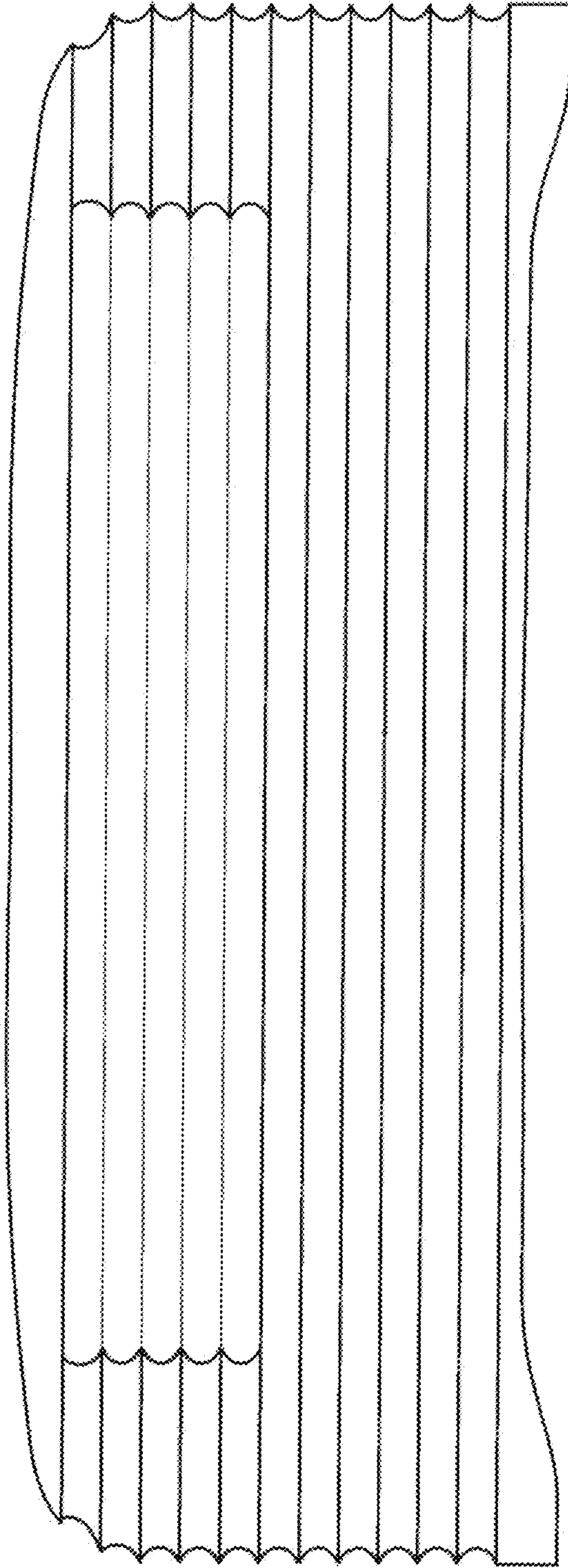




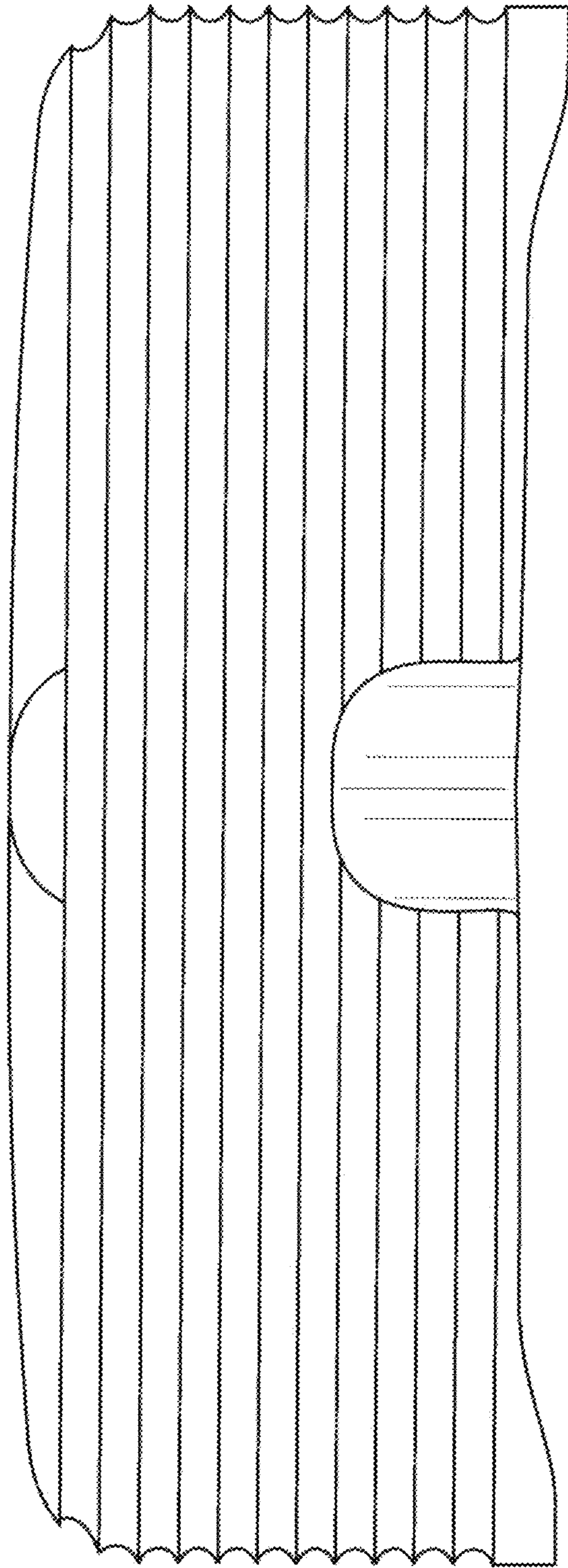
**FIG. 2**



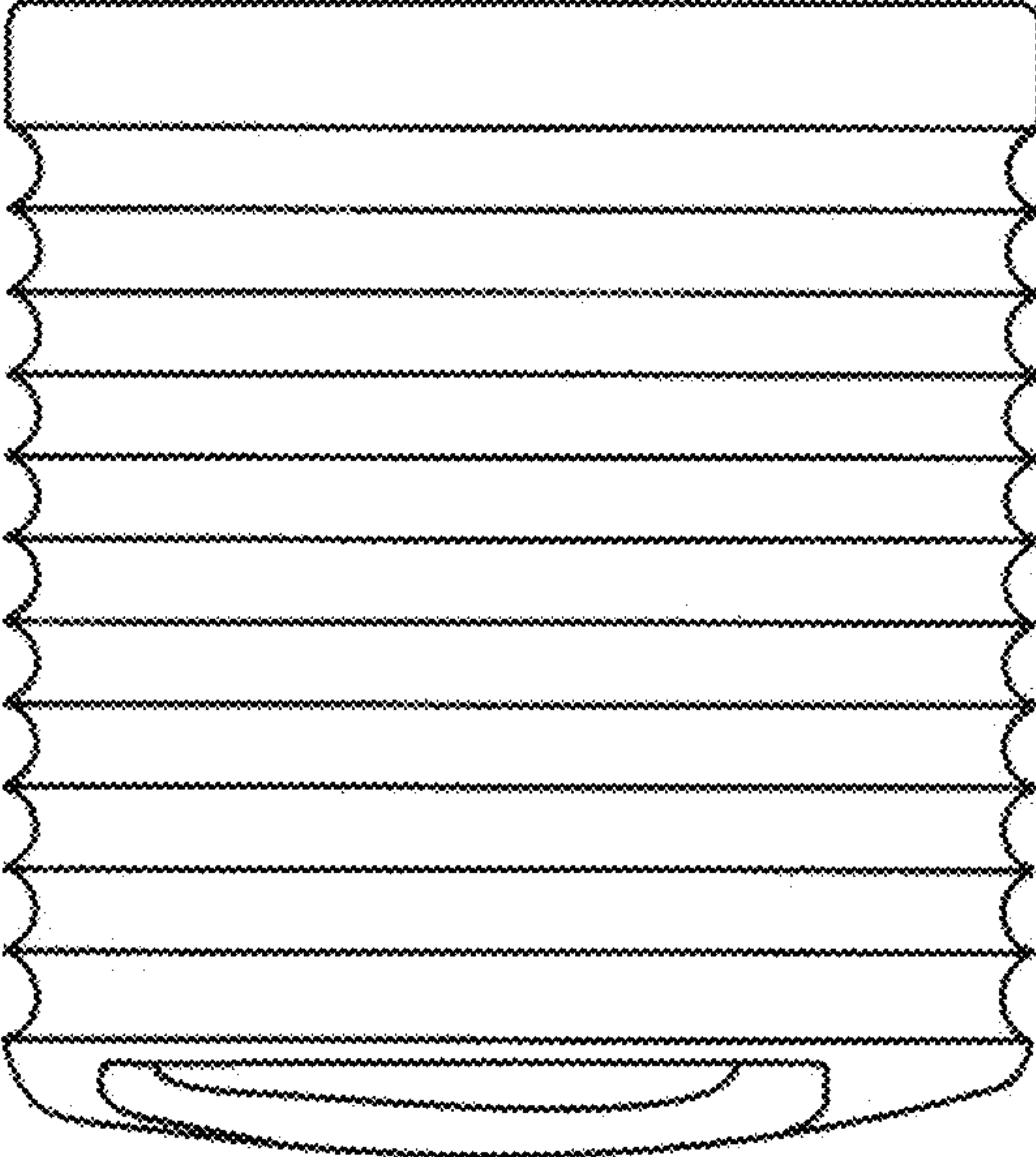
**FIG. 3**



**FIG. 4**



**FIG. 5**



**FIG. 6**



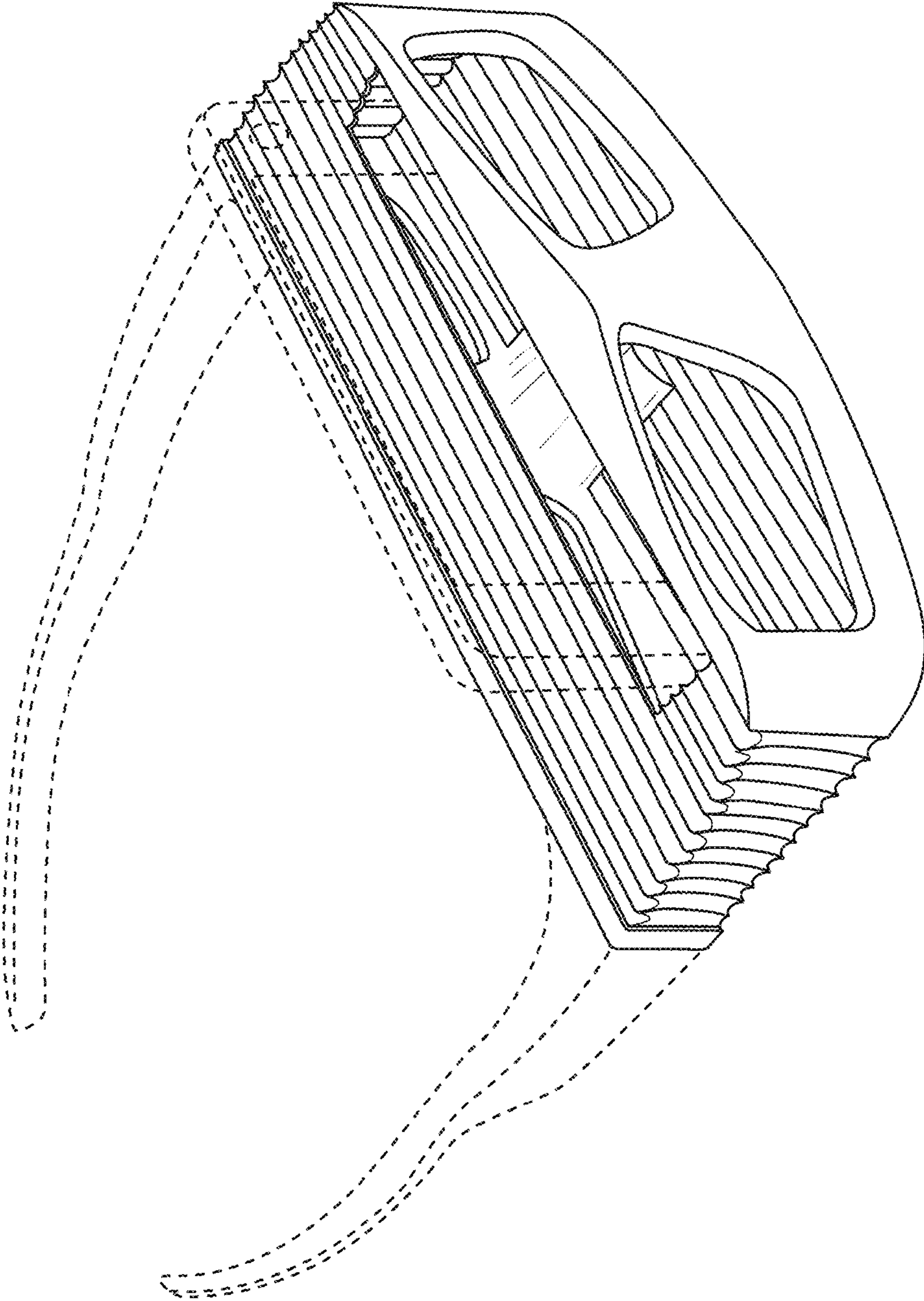
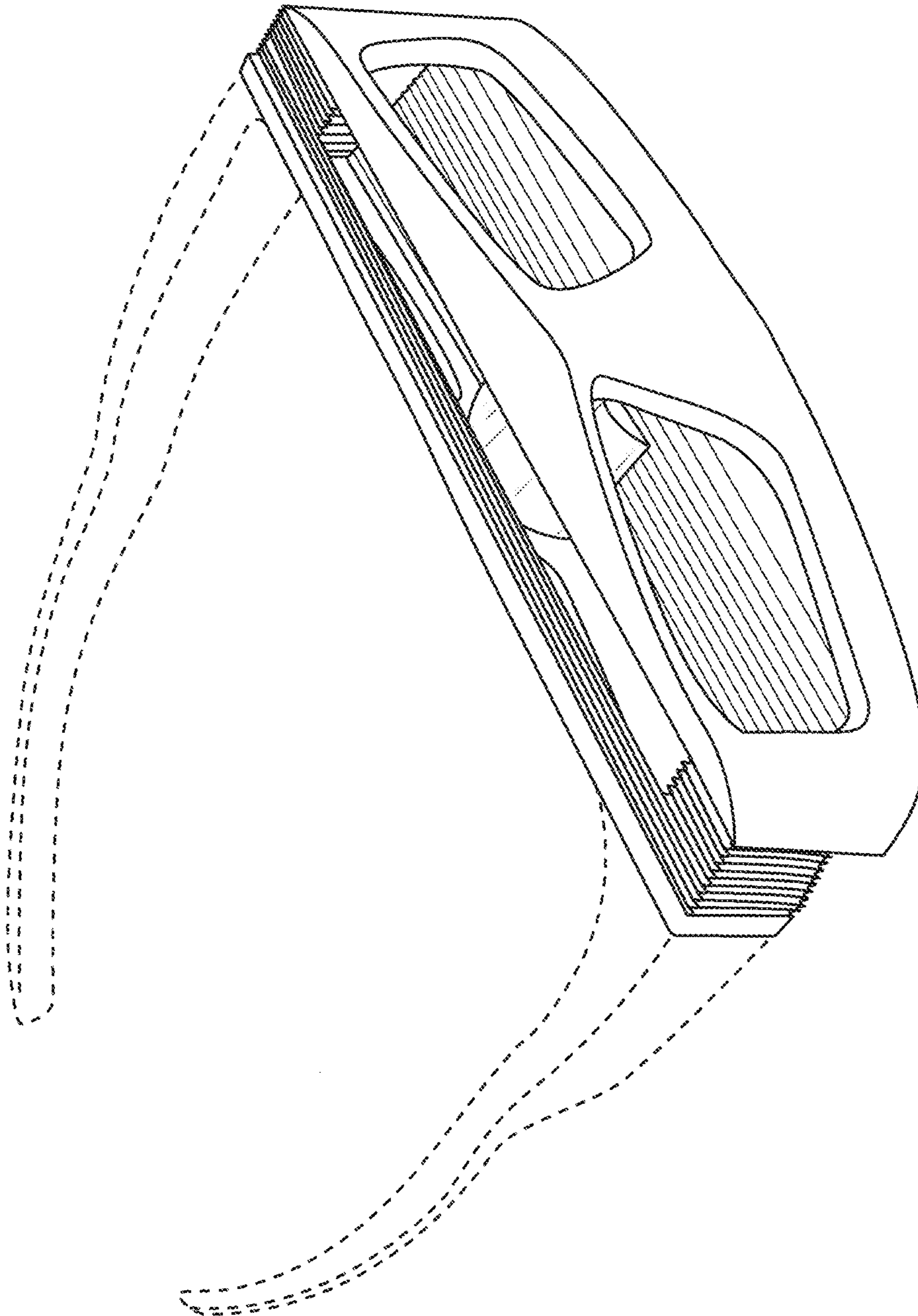
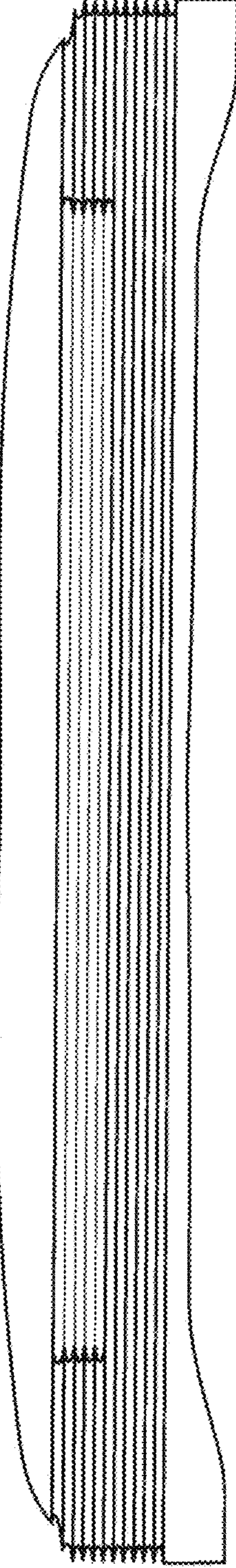


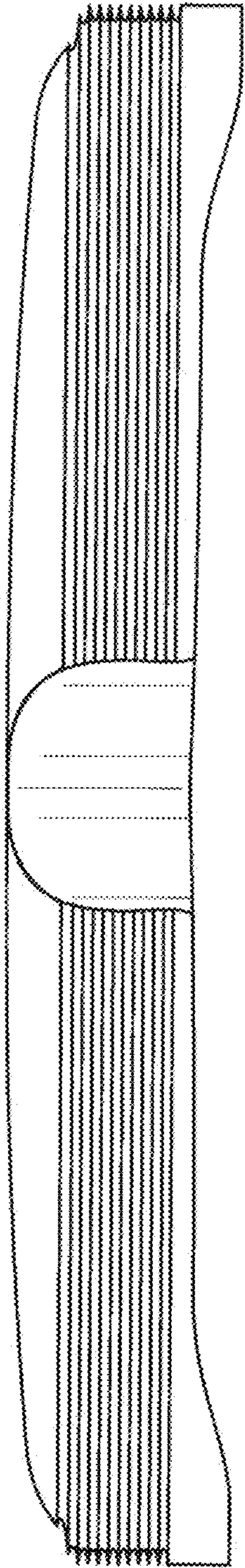
FIG. 7



**FIG. 8**

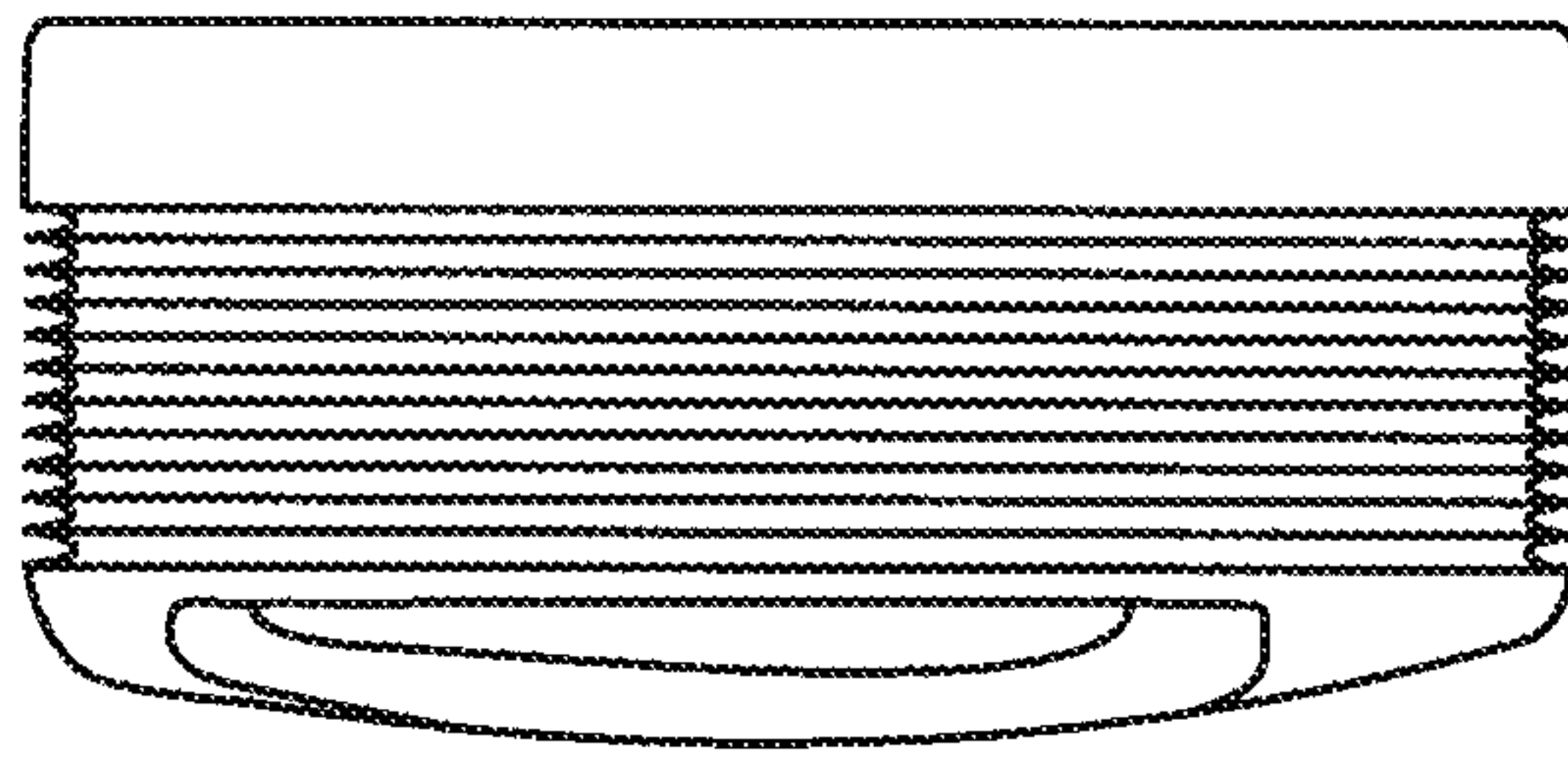


**FIG. 9**



**FIG. 10**





**FIG. 11**