



US00D775259S

(12) **United States Design Patent**  
**Jia**

(10) **Patent No.:** **US D775,259 S**

(45) **Date of Patent:** **\*\* Dec. 27, 2016**

(54) **ATTACHABLE CONDENSER MICROPHONE APPARATUS FOR DIGITAL SINGLE LENSE REFLEX CAMERA AND CAMCORDERS WITH OPTIONAL RECORDING DEVICE**

(71) Applicant: **Yingzhi Jia**, Longgang District (CN)

(72) Inventor: **Yingzhi Jia**, Longgang District (CN)

(\*\*) Term: **15 Years**

(21) Appl. No.: **29/558,397**

(22) Filed: **Mar. 17, 2016**

(51) **LOC (10) Cl.** ..... **16-05**

(52) **U.S. Cl.**  
USPC ..... **D16/237; D4/225**

(58) **Field of Classification Search**  
USPC ..... D16/206, 219, 235, 237-245, 250;  
D14/167, 203.1, 203.3, 203.8, 206,  
D14/224-229, 251-253, 511  
CPC ..... G03B 17/56; G03B 17/561-17/568;  
G02B 7/00-7/002; H04N 5/2253-5/2254;  
F16M 11/04-11/12; H04R 2410/00  
See application file for complete search history.

(56) **References Cited**

**U.S. PATENT DOCUMENTS**

D602,920 S \* 10/2009 Fleischer ..... D14/226  
D603,381 S \* 11/2009 Fleischer ..... D14/227

D605,183 S \* 12/2009 Fleischer ..... D14/227  
D676,428 S \* 2/2013 Trewartha ..... D14/225  
D687,420 S \* 8/2013 Trewartha ..... D14/225  
D710,831 S \* 8/2014 Cooper ..... D14/229  
D719,140 S \* 12/2014 Sanhui ..... D14/225  
D736,189 S \* 8/2015 Cooper ..... D14/229  
D737,252 S \* 8/2015 Fereday ..... D14/225  
D737,804 S 9/2015 Fereday et al.

\* cited by examiner

*Primary Examiner* — Vy Koenig

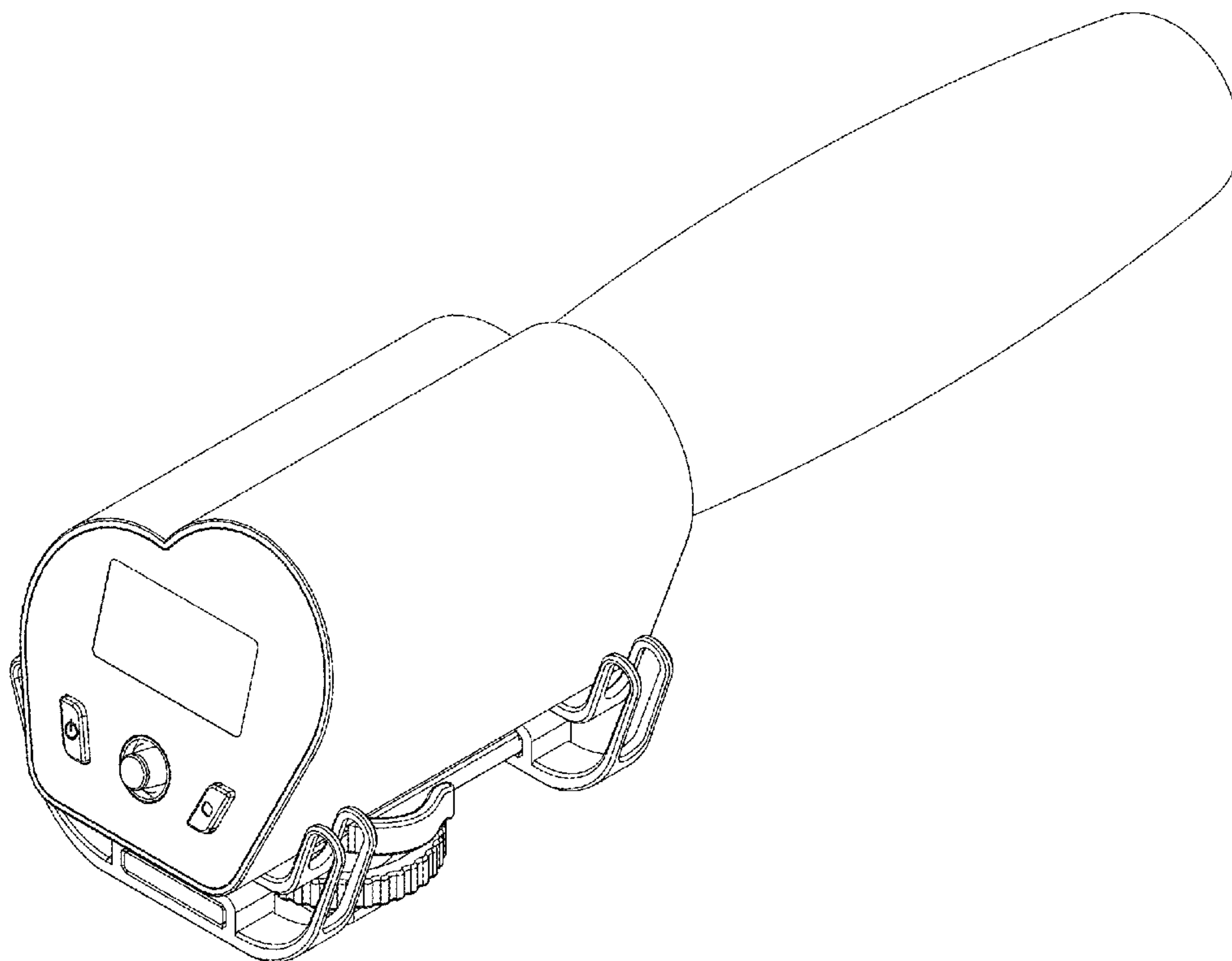
(57) **CLAIM**

The ornamental design for an attachable condenser microphone apparatus for digital single lense reflex camera and camcorders with optional recording device, as shown and described.

**DESCRIPTION**

FIG. 1 is a front elevational view thereof;  
FIG. 2 is a rear elevational view thereof;  
FIG. 3 is a left side view thereof;  
FIG. 4 is a right side view thereof;  
FIG. 5 is a top plan view thereof;  
FIG. 6 is a bottom plan view thereof;  
FIG. 7 is a top, front and right side perspective view thereof;  
and,  
FIG. 8 is a bottom, rear and left side perspective view thereof.

**1 Claim, 8 Drawing Sheets**



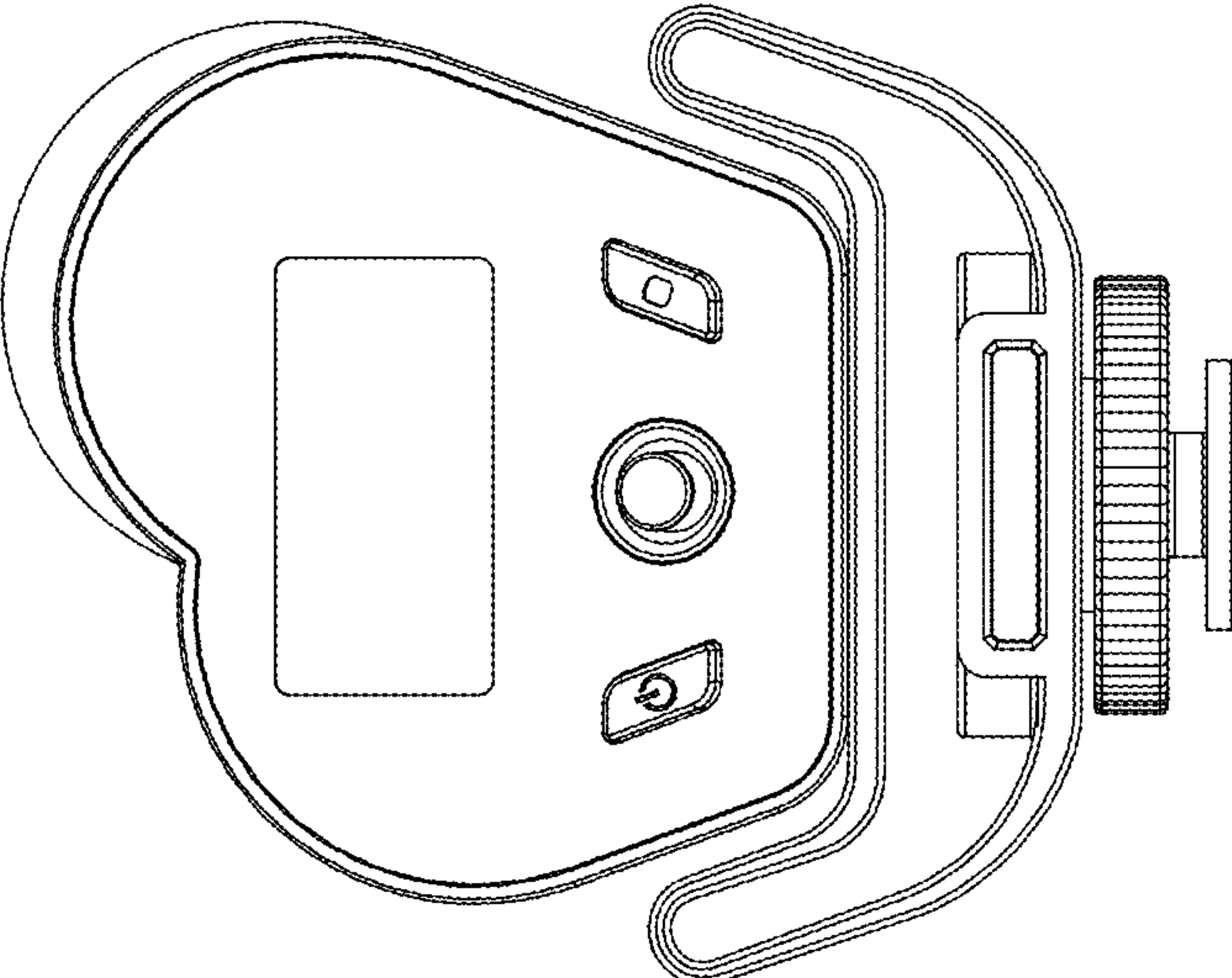


FIG. 1

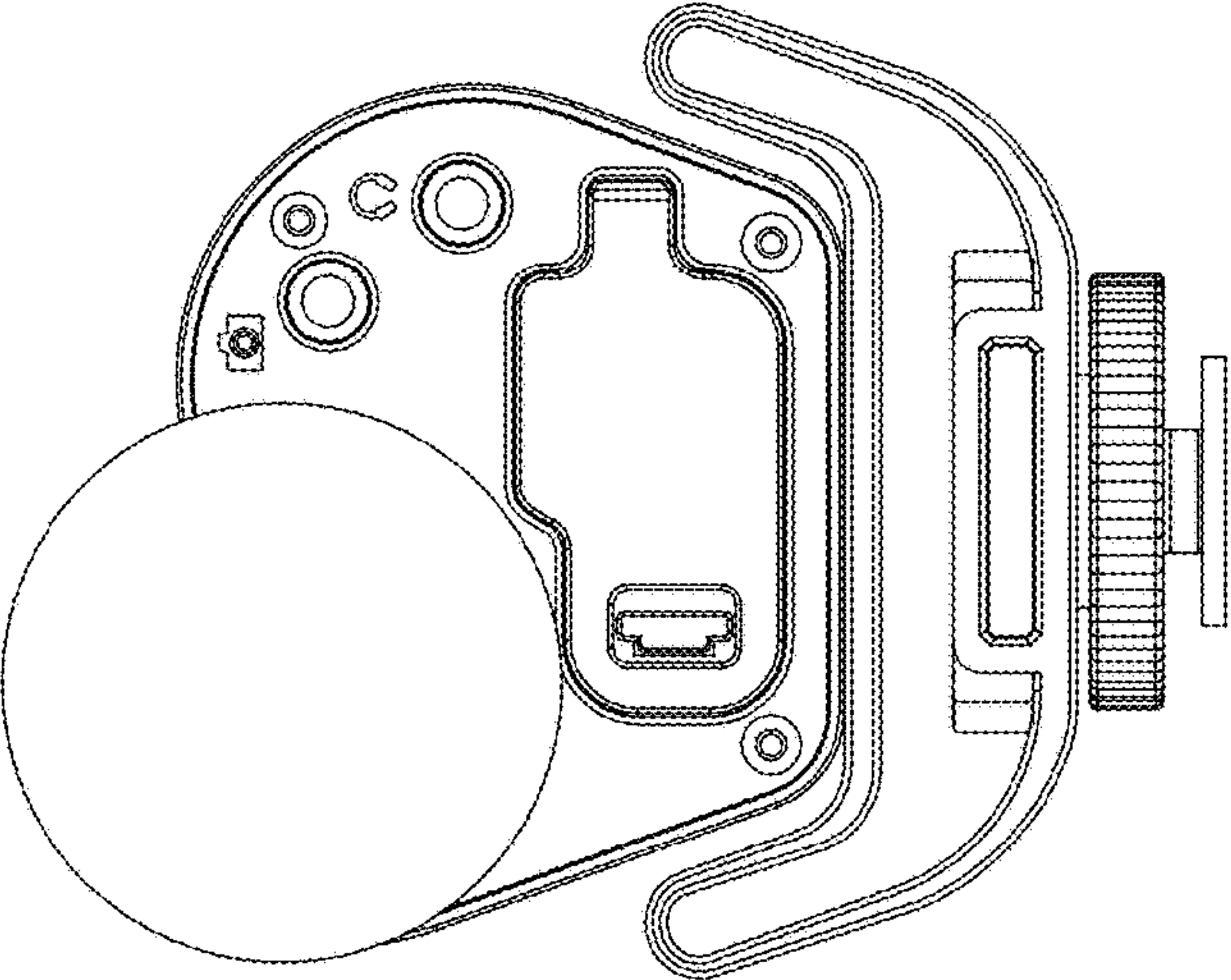


FIG. 2

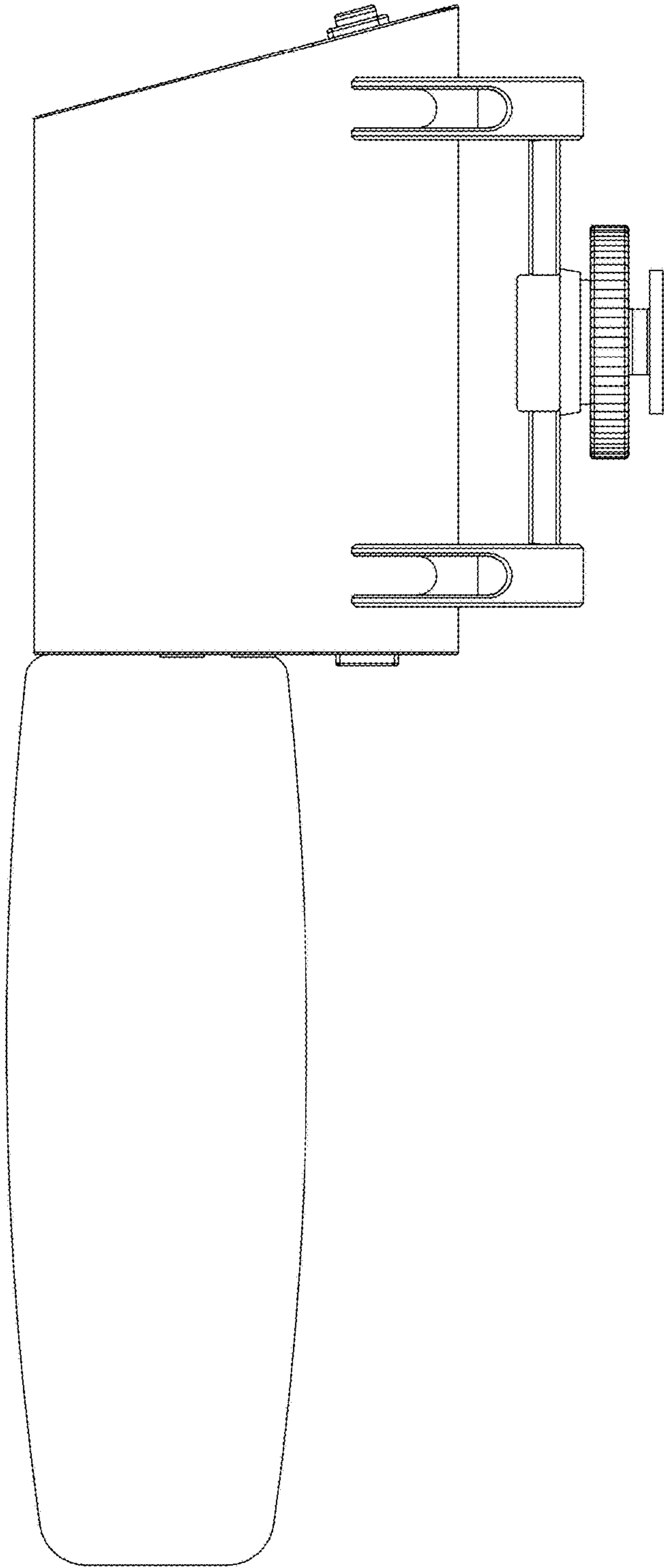


FIG. 3

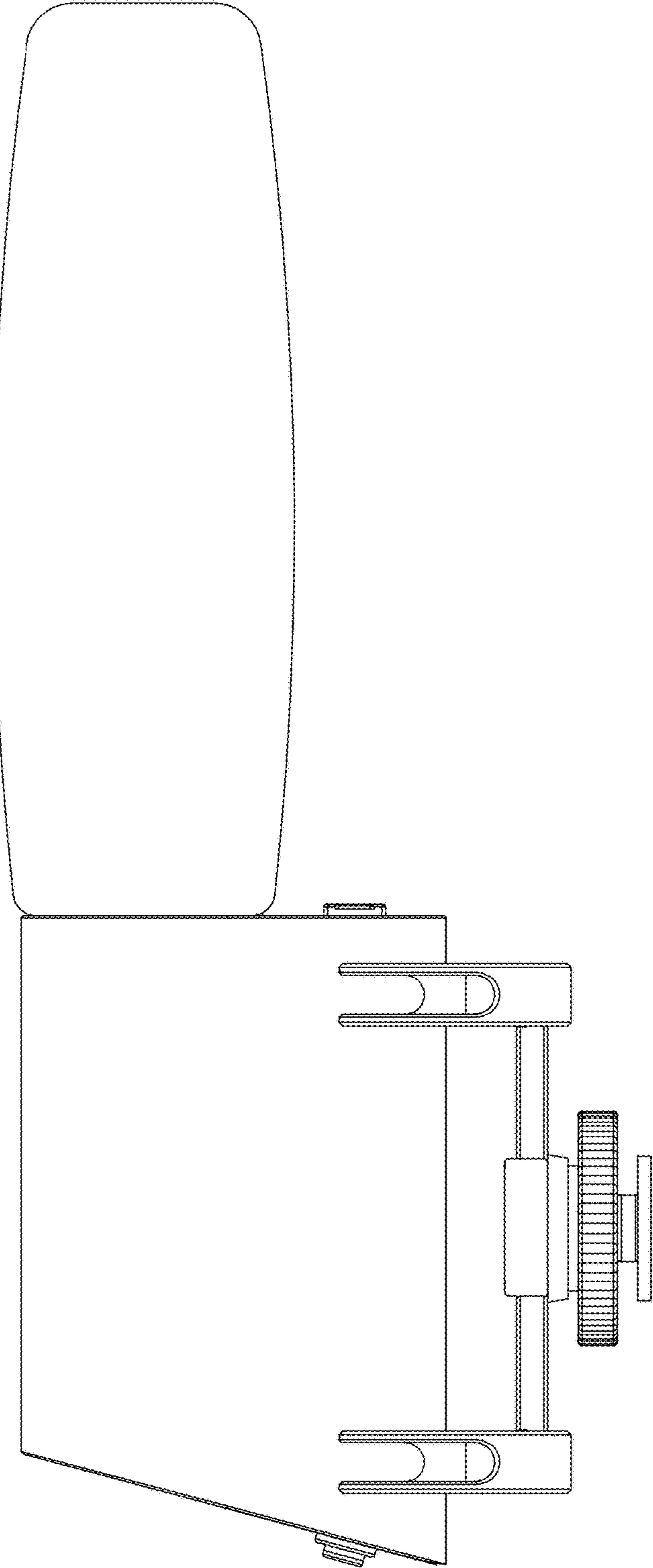


FIG. 4

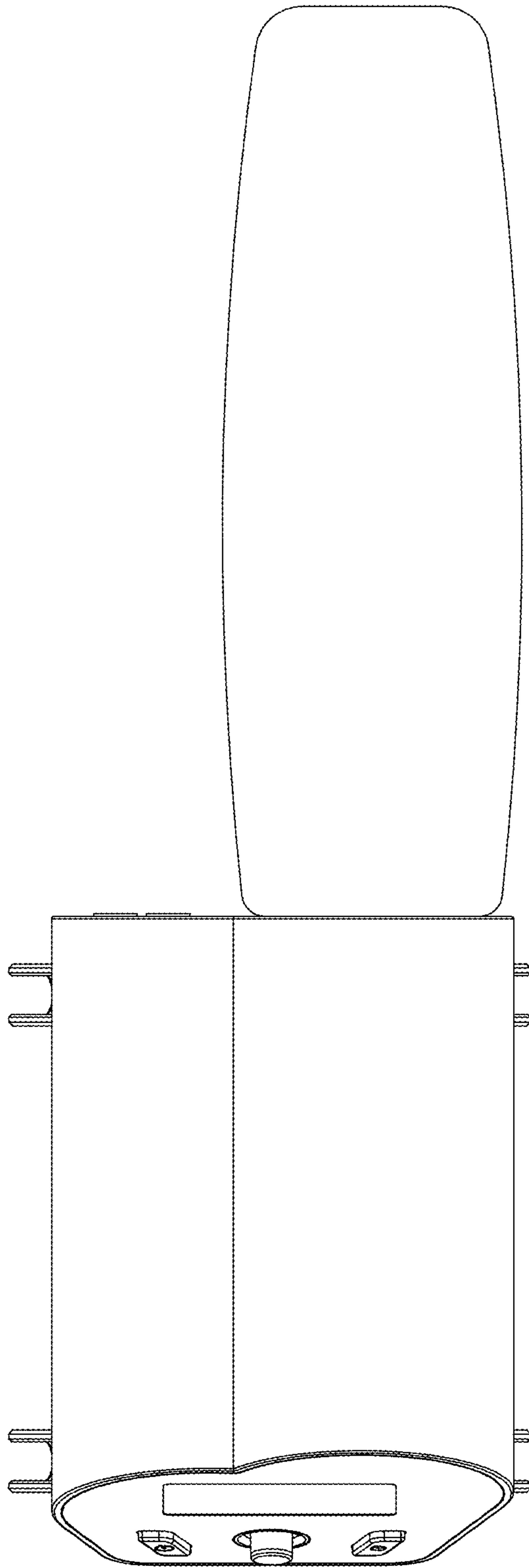


FIG. 5

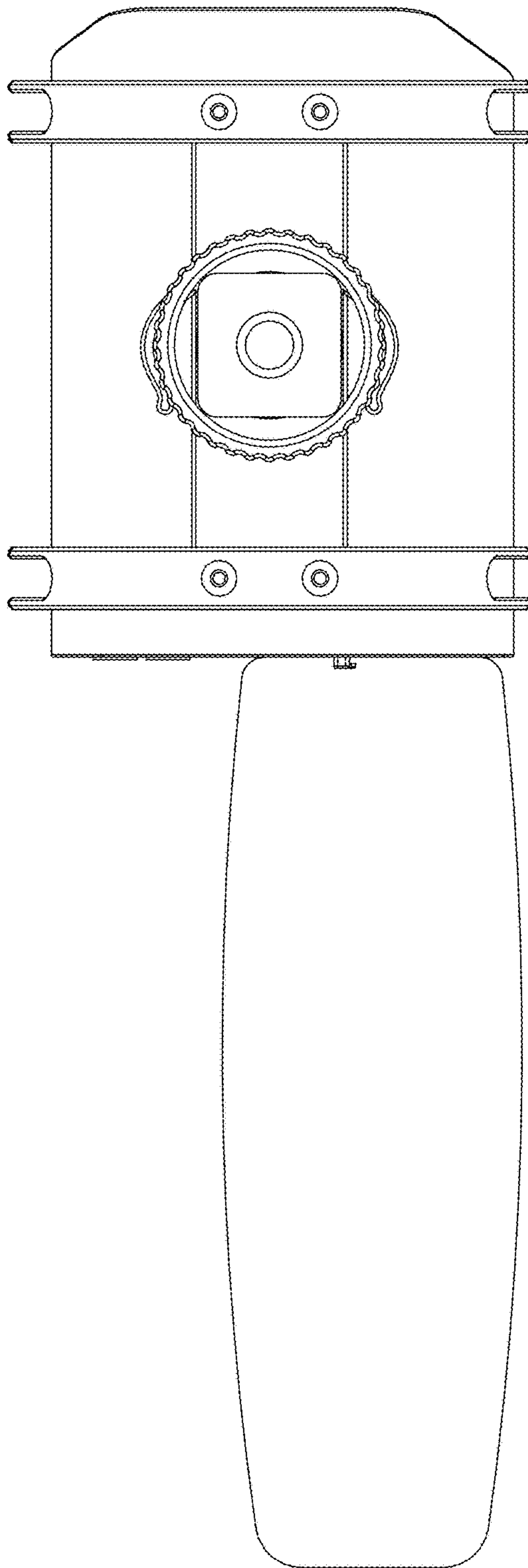


FIG. 6



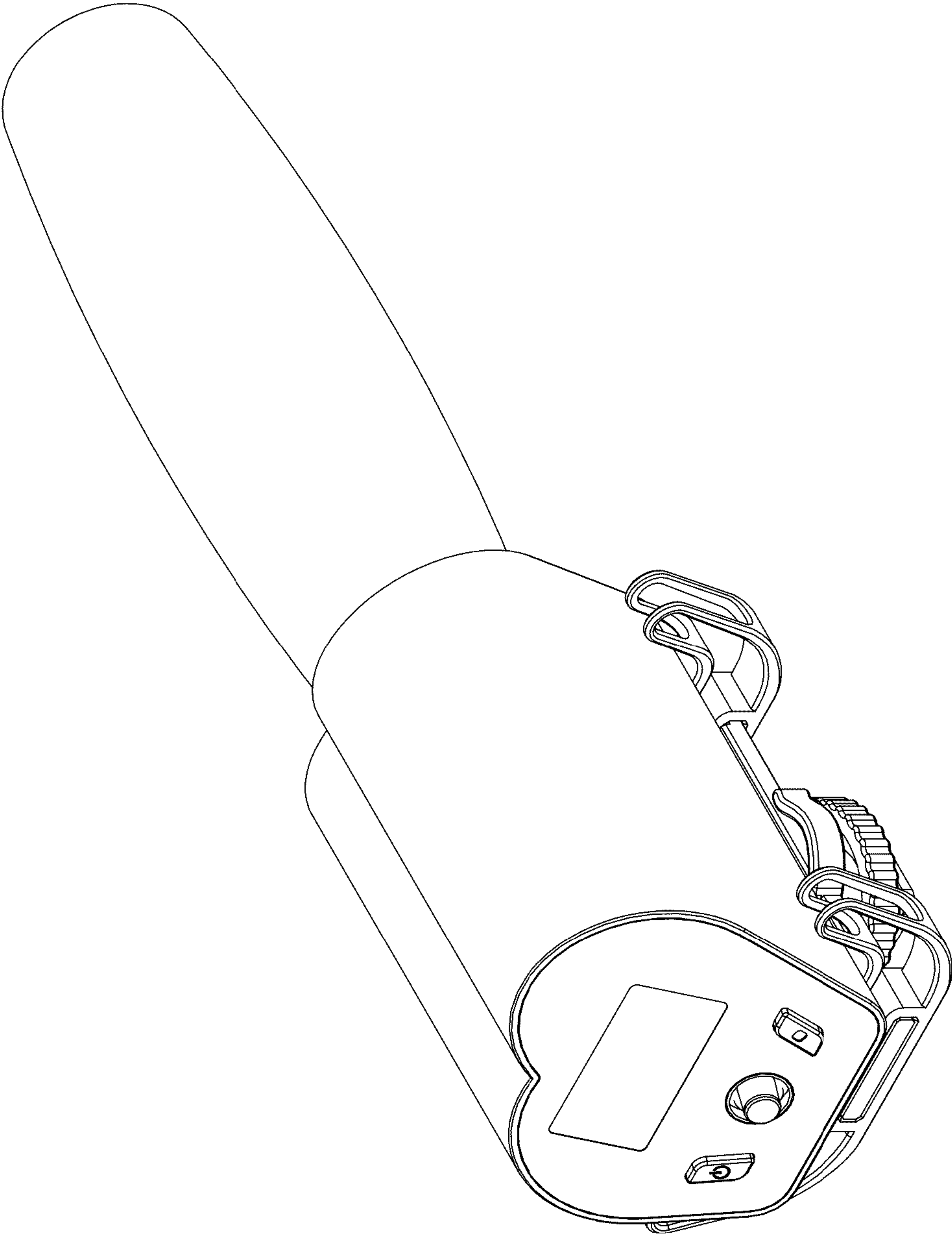


FIG. 7



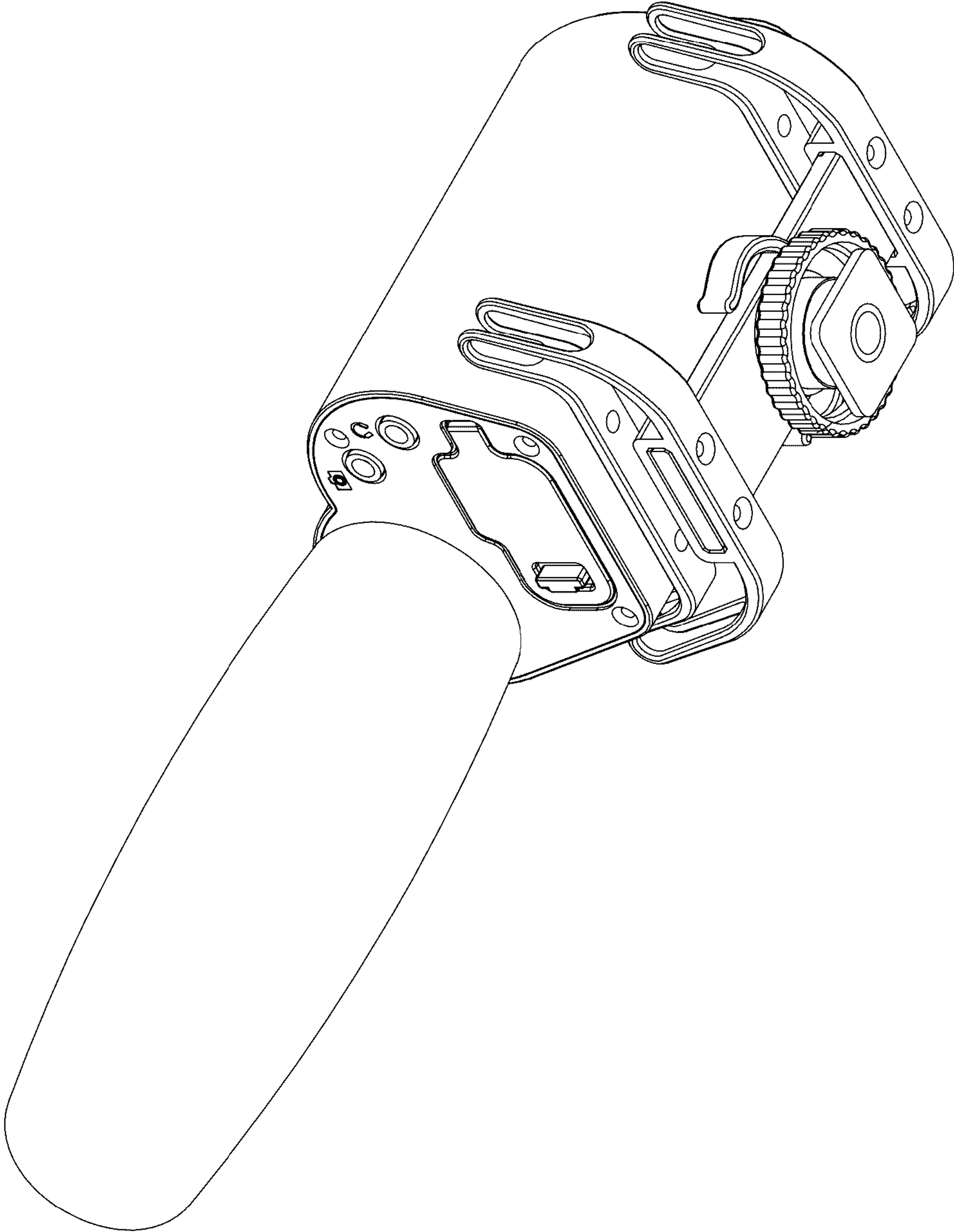


FIG. 8