



US00D775258S

(12) **United States Design Patent**  
**Hinkel**

(10) **Patent No.:** **US D775,258 S**

(45) **Date of Patent:** **\*\* Dec. 27, 2016**

(54) **COMBINED CAMERA AND HOUSING**

(71) Applicant: **Ralf Hinkel**, Horingen (DE)

(72) Inventor: **Ralf Hinkel**, Horingen (DE)

(73) Assignee: **MOBOTIX AG**, Winnweiler (DE)

(\*\*) Term: **15 Years**

(21) Appl. No.: **29/553,014**

(22) Filed: **Jan. 28, 2016**

**Related U.S. Application Data**

(62) Division of application No. 29/440,413, filed on Dec. 21, 2012, now Pat. No. Des. 751,618.

(30) **Foreign Application Priority Data**

Jun. 22, 2012 (DE) ..... 40 2012 002 929

Jun. 22, 2012 (DE) ..... 40 2012 002 930

(51) **LOC (10) Cl.** ..... **16-05**

(52) **U.S. Cl.**  
USPC ..... **D16/219**

(58) **Field of Classification Search**  
USPC ..... D16/134, 136, 200, 202-204, 207, 208,  
D16/210, 218, 219; D12/400; 340/937;  
348/143, 148, 151, 360, 373-376;  
396/427, 429, 529, 535, 539-541;  
359/826-828

CPC ..... G03B 15/03; G03B 17/02; G03B 17/04;  
G03B 17/48; G03B 17/56; G03B 19/04;  
G08G 1/0175; H04N 5/2251; H04N  
5/2252; H04N 5/2253; H04N  
5/2254; H04N 2101/00; B60R 1/00

See application file for complete search history.

(56) **References Cited**

**U.S. PATENT DOCUMENTS**

D183,253 S \* 7/1958 Gebele ..... D16/134  
D394,274 S 5/1998 Suzuki

D470,520 S 2/2003 Yamakawa et al.  
D523,886 S 6/2006 Wen et al.  
D526,674 S 8/2006 Byun et al.  
7,242,540 B1 \* 7/2007 Zhao ..... G02B 7/004  
359/819  
D560,702 S \* 1/2008 Tokiwa ..... D16/208  
D592,231 S 5/2009 Schnell  
D633,122 S 2/2011 Booker et al.  
7,988,372 B2 \* 8/2011 Lee ..... G03B 17/14  
396/531  
D649,993 S \* 12/2011 Ding ..... D16/134  
D666,660 S 9/2012 Amit et al.  
D680,142 S 4/2013 Weiss  
D686,267 S \* 7/2013 Mihara ..... D16/202  
D690,346 S 9/2013 Woolley  
D694,797 S 12/2013 Parker  
D696,329 S 12/2013 Horiki et al.  
D751,129 S \* 3/2016 Lellky ..... D16/203  
2005/0099526 A1 \* 5/2005 Wu ..... H04N 5/2254  
348/360

(Continued)

*Primary Examiner* — Susan E Krakower

*Assistant Examiner* — Ramzi Almatrahi

(74) *Attorney, Agent, or Firm* — Slater & Michaelson

(57) **CLAIM**

The ornamental design for a combined camera and housing, as shown and described.

**DESCRIPTION**

FIG. 1 is a front elevational view of a combined camera and housing;

FIG. 2 is a rear elevational view thereof;

FIG. 3 is a left side elevational view thereof;

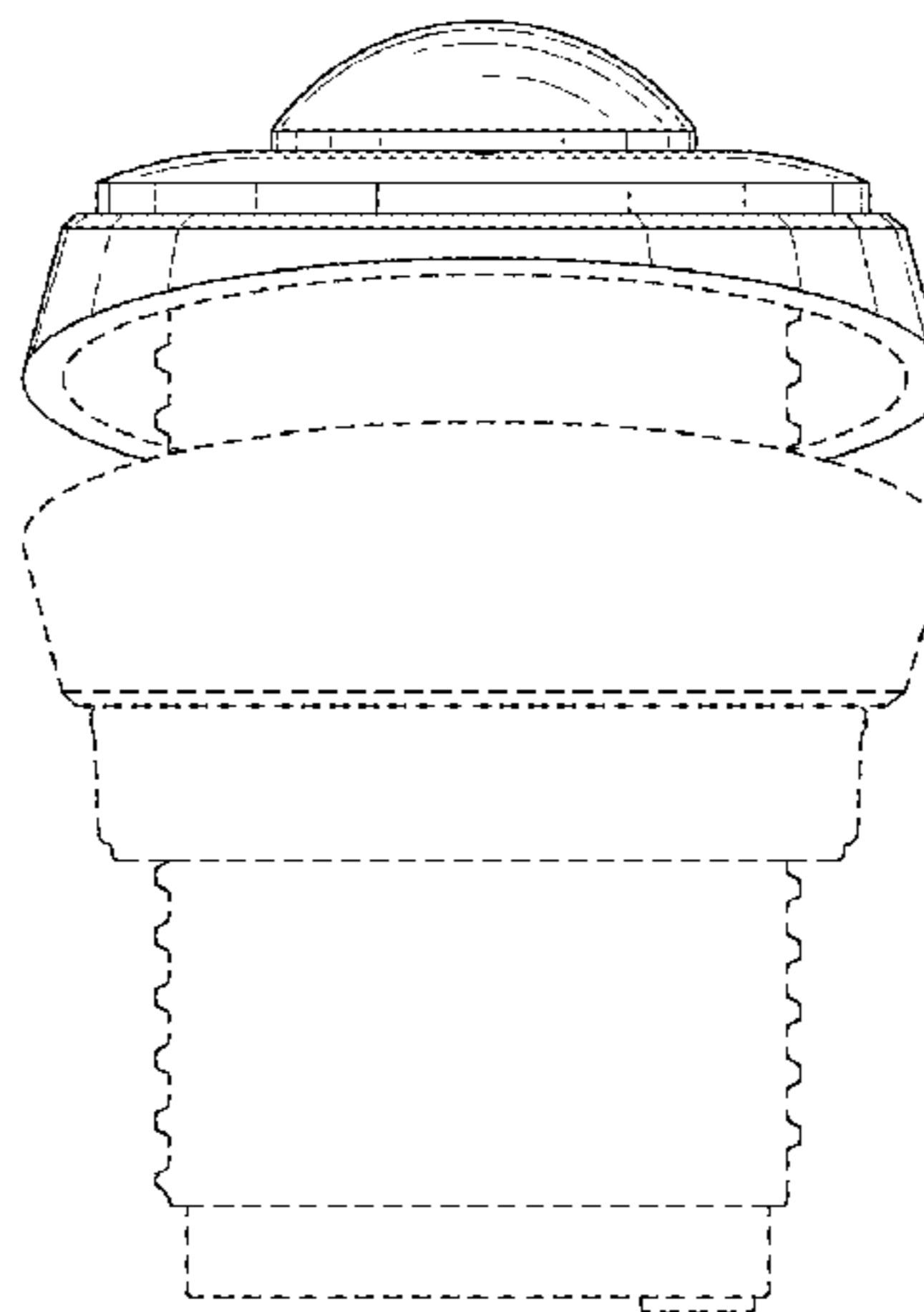
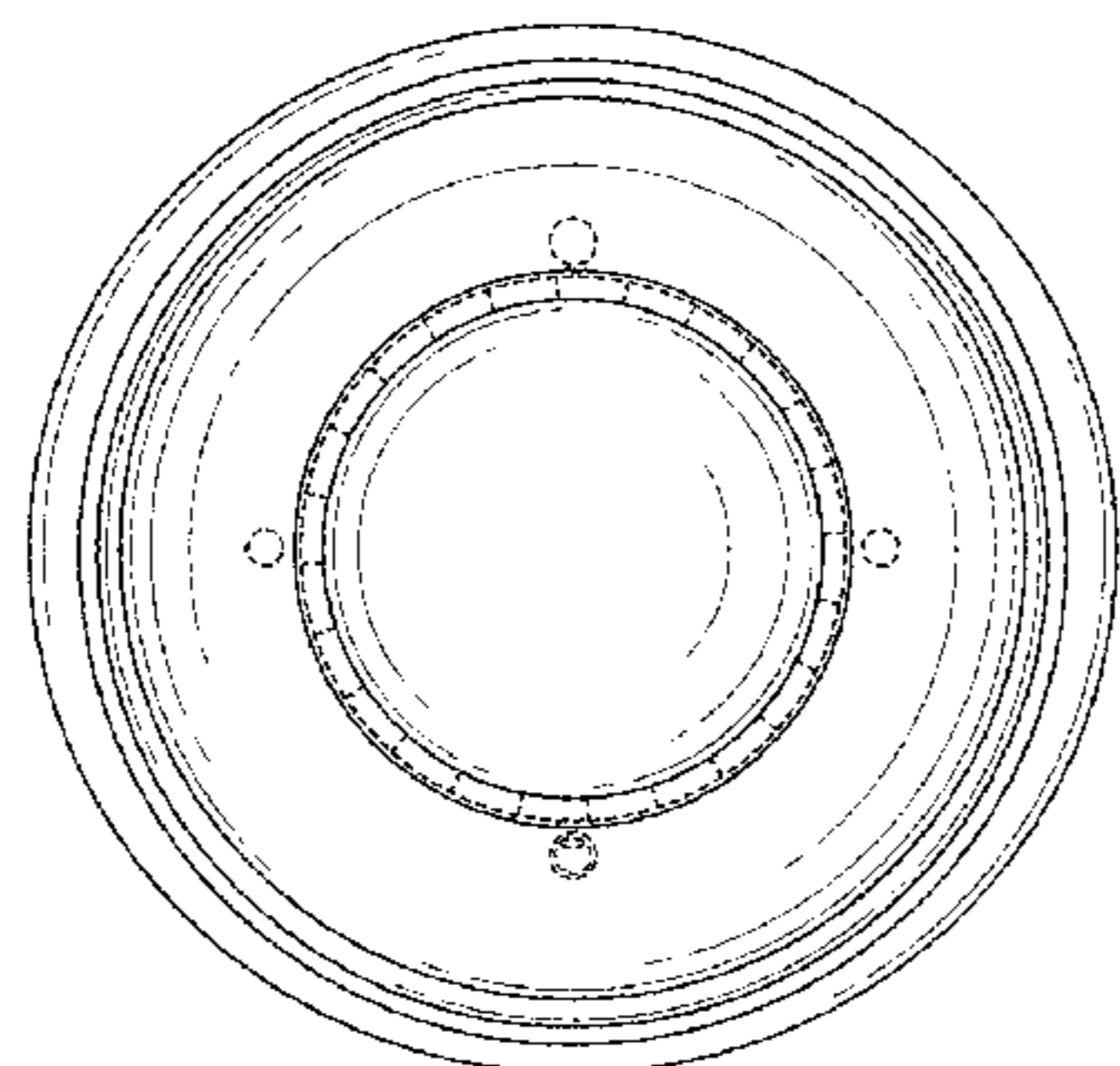
FIG. 4 is a right side elevational view thereof;

FIG. 5 is a top plan view thereof; and,

FIG. 6 is a bottom plan view thereof.

The broken lines depict portions of a combined camera and housing in which the design is embodied and form no part of the claimed design.

**1 Claim, 6 Drawing Sheets**



(56)

**References Cited**

U.S. PATENT DOCUMENTS

2011/0199485 A1\* 8/2011 Nakamura ..... G02B 13/001  
348/148  
2014/0168800 A1\* 6/2014 Chen ..... G02B 7/025  
359/827

\* cited by examiner

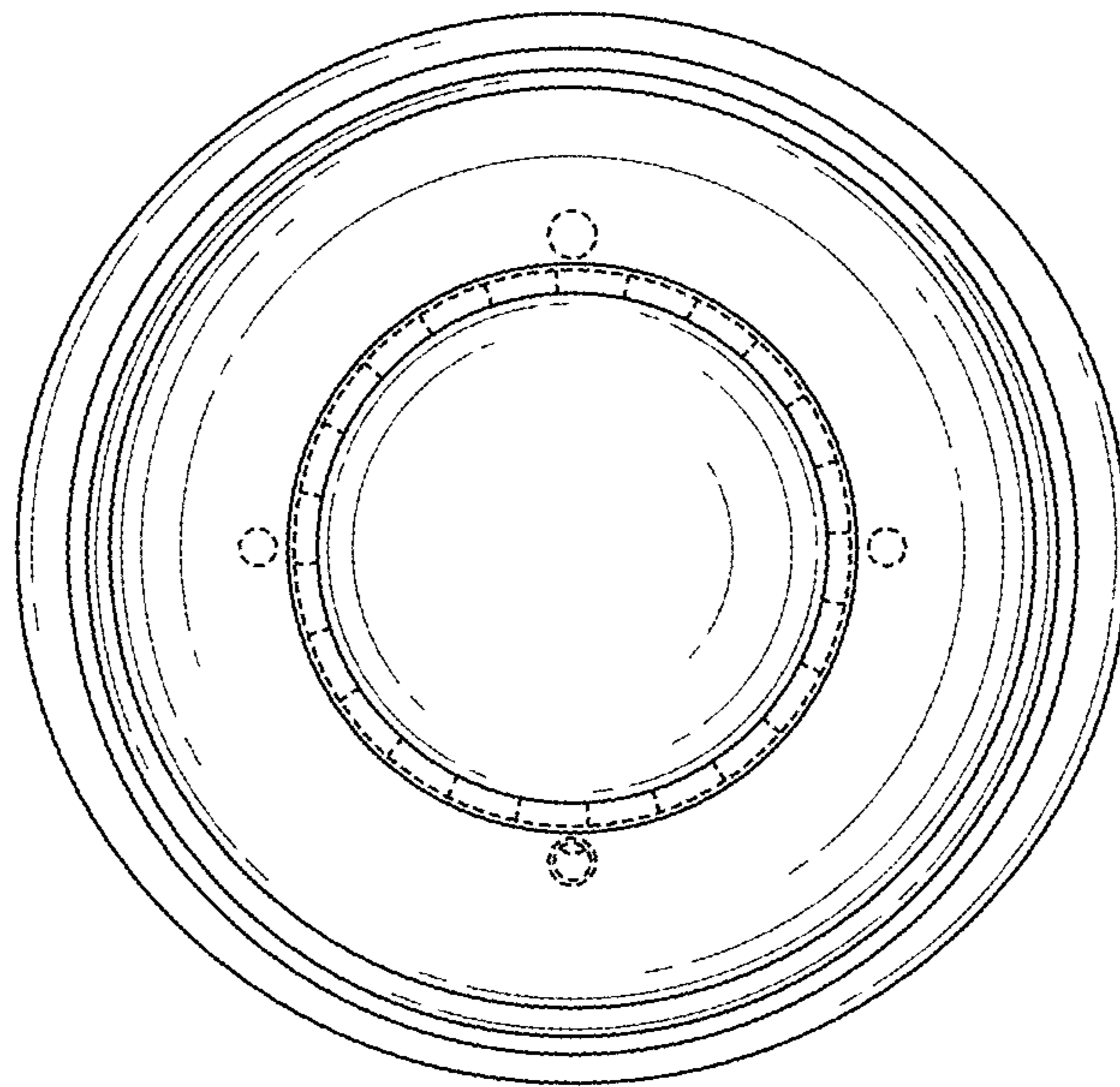


FIG. 1

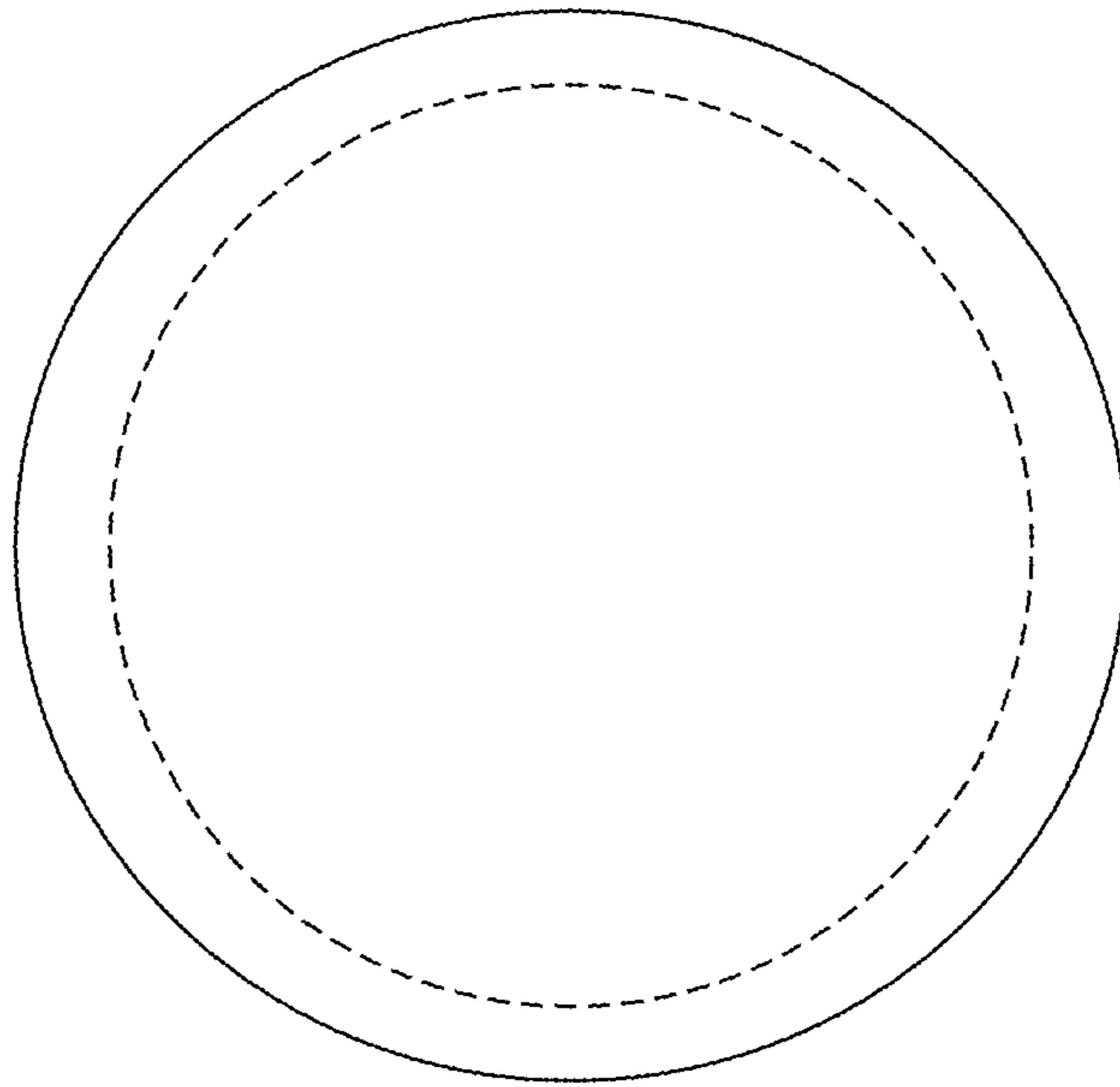


FIG. 2

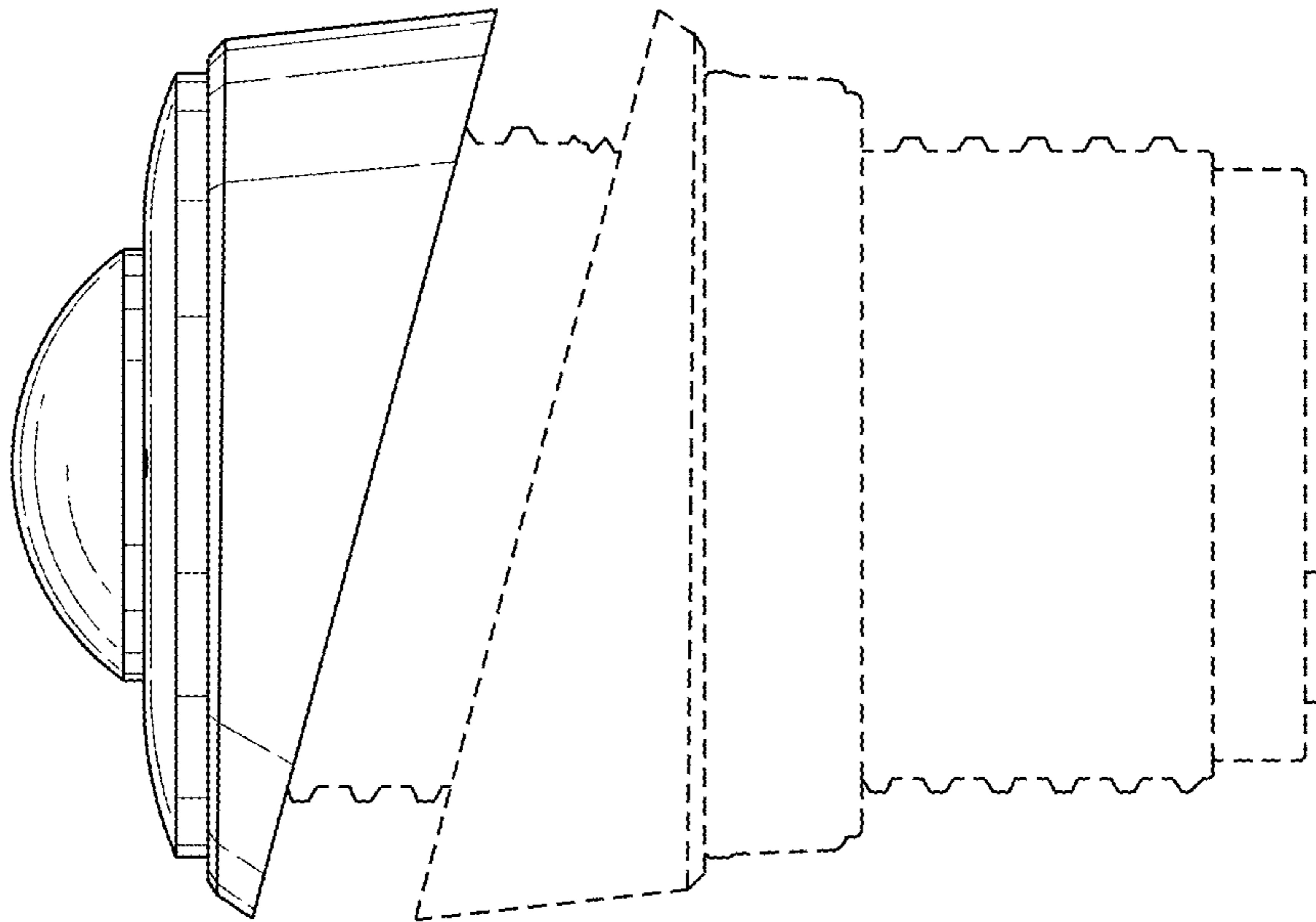


FIG. 3

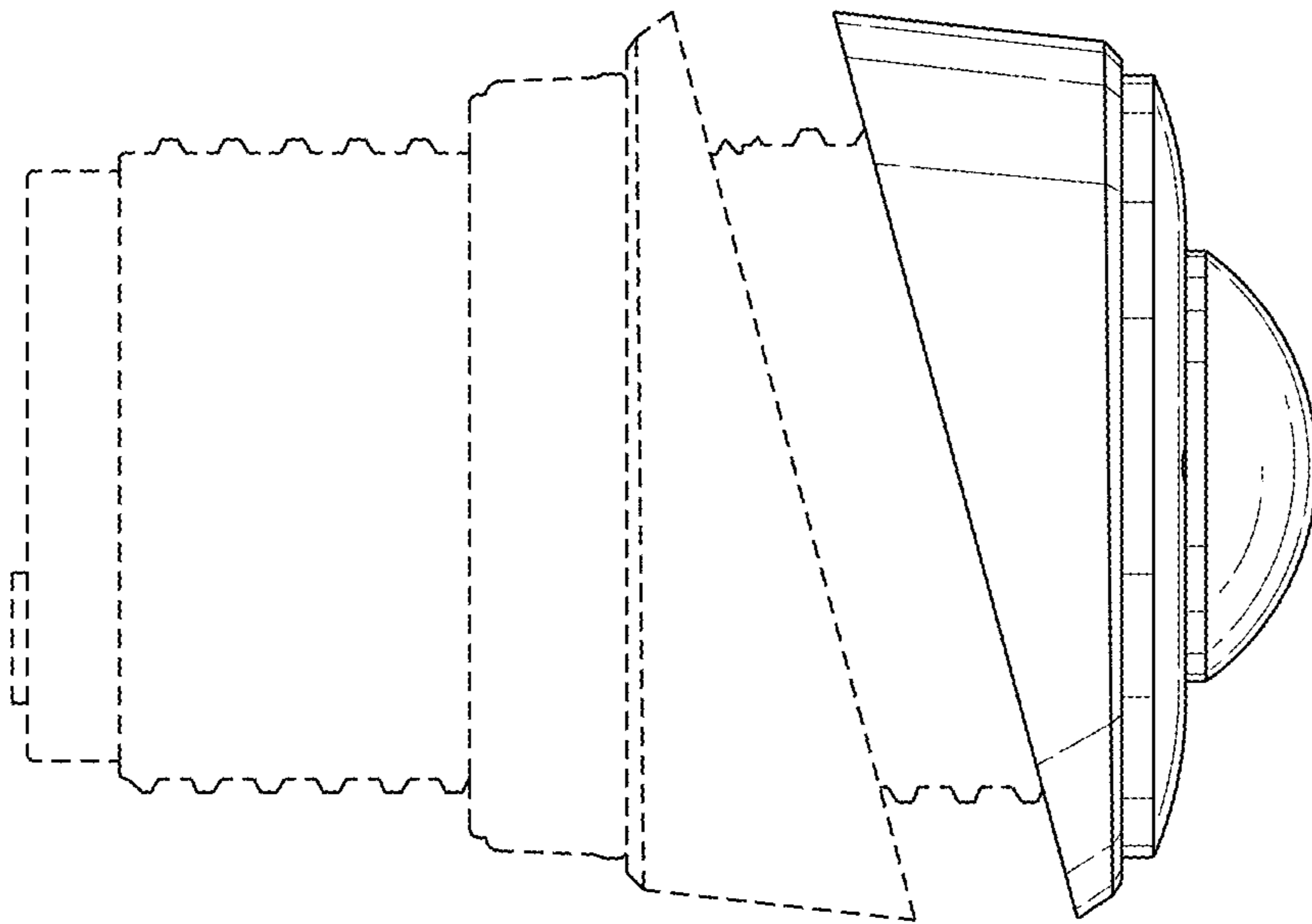


FIG. 4

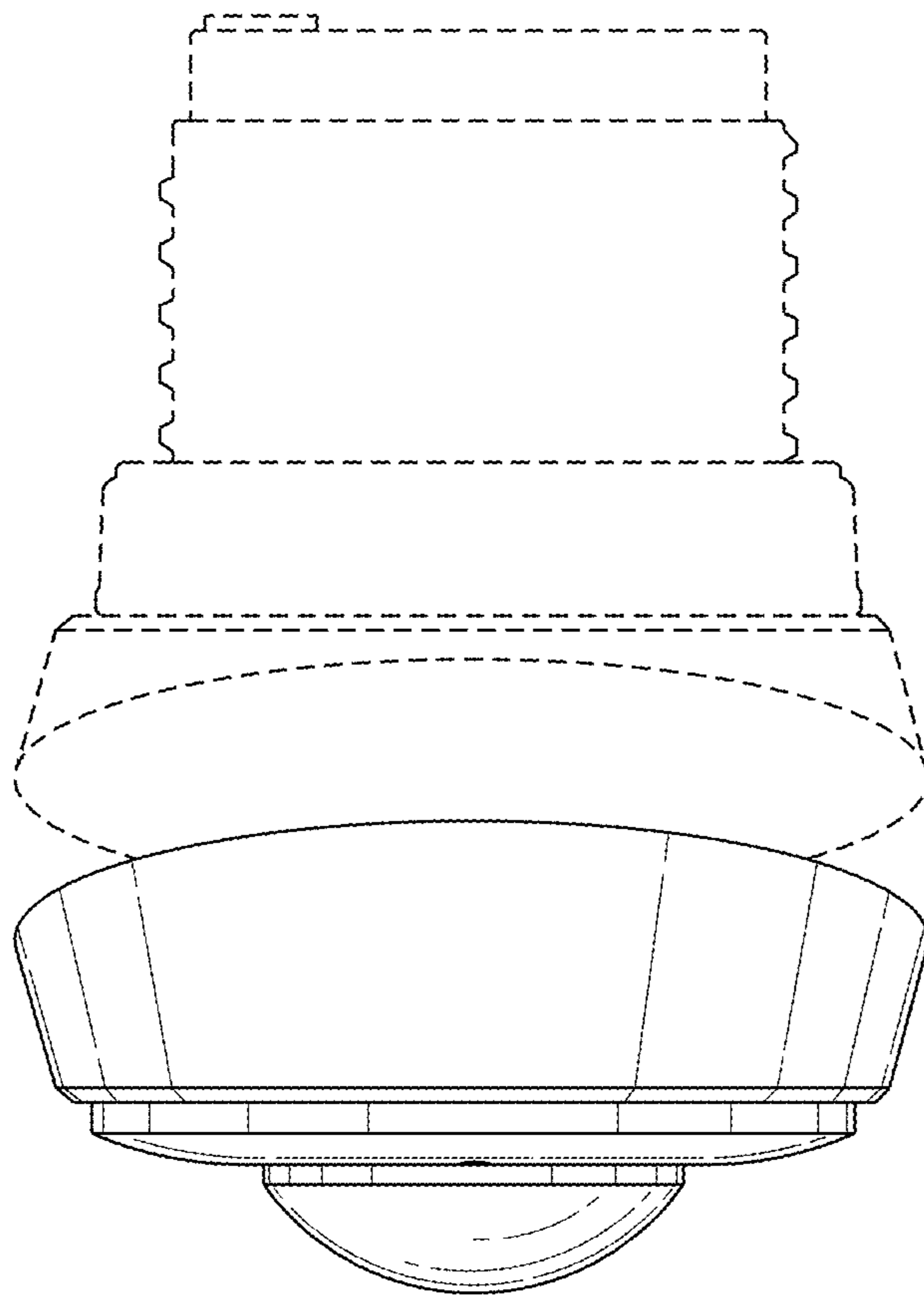


FIG. 5

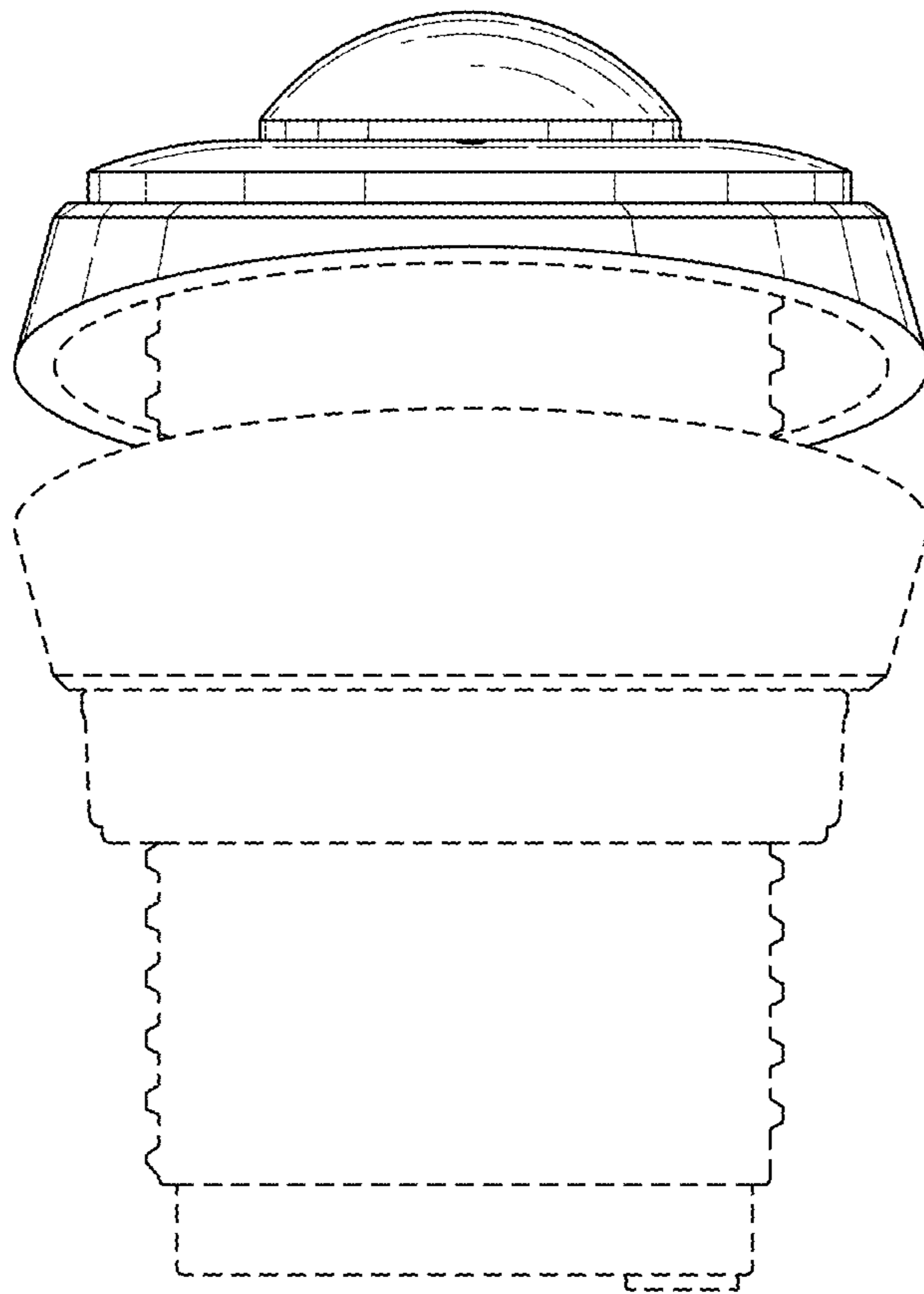


FIG. 6