



US00D775257S

(12) **United States Design Patent** (10) **Patent No.:** **US D775,257 S**  
**Holbrook et al.** (45) **Date of Patent:** **\*\* Dec. 27, 2016**

(54) **SHADE FOR A CAMERA**  
(71) Applicant: **Avigilon Corporation**, Vancouver (CA)  
(72) Inventors: **Thomas Holbrook**, Vancouver (CA);  
**Ross Mitchell**, Vancouver (CA);  
**Sudeep Mohan**, Vancouver (CA);  
**Robin W. Chu**, San Francisco, CA  
(US); **Gregg Davis**, Powell, OH (US);  
**Mark A. Edwards**, Livermore, CA  
(US); **Adam M. Ruggles**, Columbus,  
OH (US)

(73) Assignee: **Avigilon Corporation**, Vancouver (CA)

(\*\*) Term: **15 Years**

(21) Appl. No.: **29/540,155**

(22) Filed: **Sep. 21, 2015**

(51) **LOC (10) Cl.** ..... **16-05**

(52) **U.S. Cl.**  
USPC ..... **D16/219**

(58) **Field of Classification Search**  
USPC ..... D16/219, 237, 200, 208, 134, 202, 204,  
D16/218; 396/55, 176, 275, 534-541;  
348/373-375; 358/909.1  
CPC ..... G03B 11/04; G03B 11/045; G03B 17/02;  
G03B 2217/00-2217/002  
See application file for complete search history.

(56) **References Cited**

**U.S. PATENT DOCUMENTS**

3,023,920 A 1/1960 Cook et al.  
D307,915 S 5/1990 Kuester  
D312,471 S \* 11/1990 Couch ..... D16/237  
5,101,298 A \* 3/1992 Lentz ..... H04N 5/65  
348/834  
D340,940 S 11/1993 Ellenberger et al.

5,528,424 A \* 6/1996 Lentz ..... H04N 5/65  
348/834  
D392,300 S 3/1998 Chow et al.  
5,778,264 A \* 7/1998 Kean ..... G03B 15/03  
362/18

(Continued)

**OTHER PUBLICATIONS**

“HD Bullet Cameras.” Avigilon.com, no posting date given  
(Retrieved from the Internet Jul. 26, 2016). Internet URL: <[http://  
avigilon.com/products/video-surveillance/cameras/hd-bullet-cam-  
eras/](http://avigilon.com/products/video-surveillance/cameras/hd-bullet-cameras/)>.\*

(Continued)

*Primary Examiner* — Eric Goodman  
*Assistant Examiner* — Rachel Voorhies  
(74) *Attorney, Agent, or Firm* — Klarquist Sparkman,  
LLP

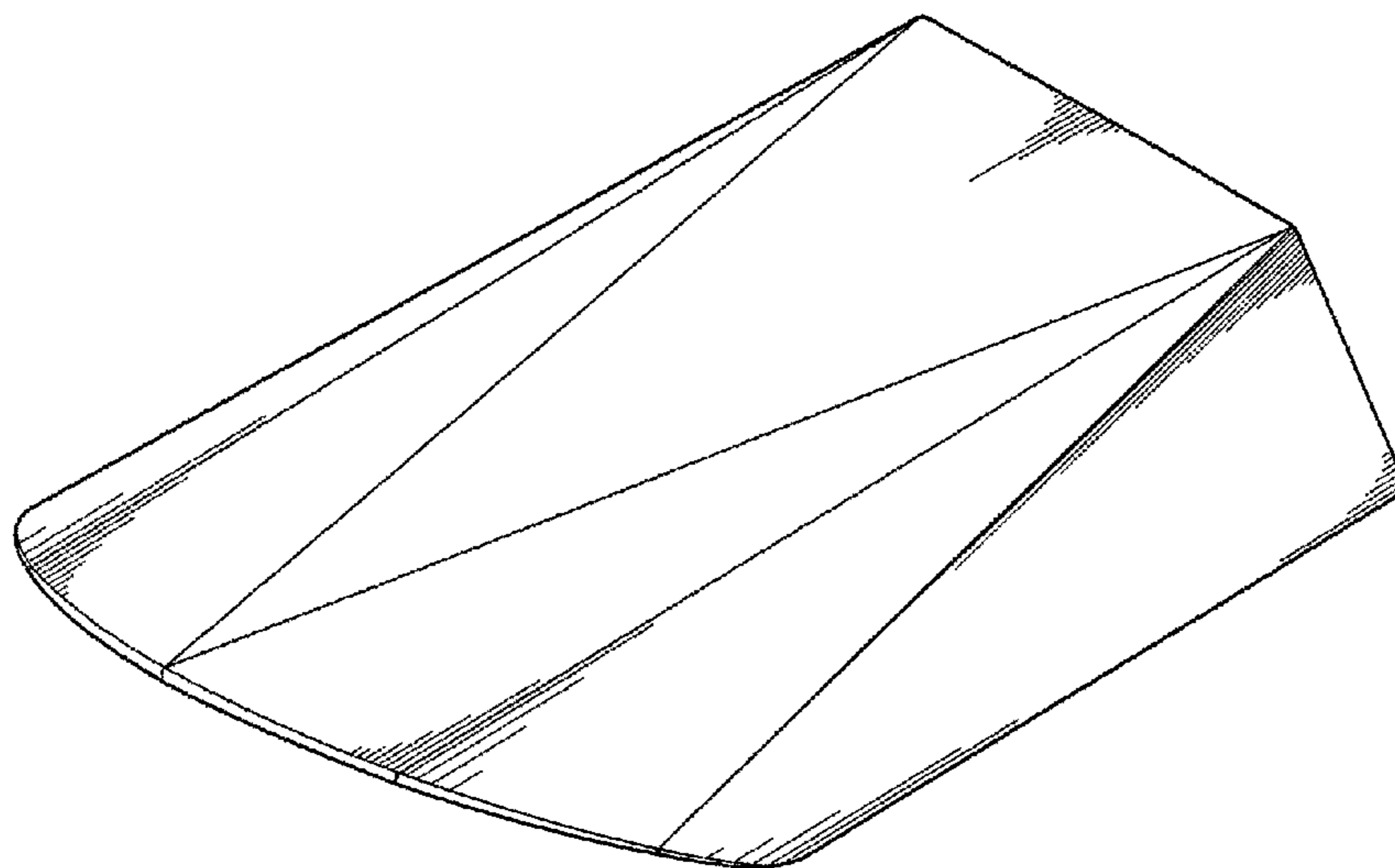
(57) **CLAIM**

We claim the ornamental design for a shade for a camera, as  
shown and described.

**DESCRIPTION**

FIG. 1 is a front top-down perspective view of the shade for  
a camera;  
FIG. 2 is a front top-down perspective view of the shade for  
a camera;  
FIG. 3 is a front elevation view of the shade for a camera;  
FIG. 4 is a right side elevation view of the shade for a  
camera;  
FIG. 5 is a bottom plan view of the shade for a camera;  
FIG. 6 is a back elevation view of the shade for a camera;  
FIG. 7 is a left side elevation view of the shade for a camera;  
and,  
FIG. 8 is a top plan view of the shade for a camera.  
In FIG. 2, the long broken lines show unclaimed environ-  
ment in the form of a camera.  
In FIGS. 3, 5 and 6, the short broken lines indicate portions  
of the article which form no part of the claimed design.

**1 Claim, 4 Drawing Sheets**



(56)

References Cited

U.S. PATENT DOCUMENTS

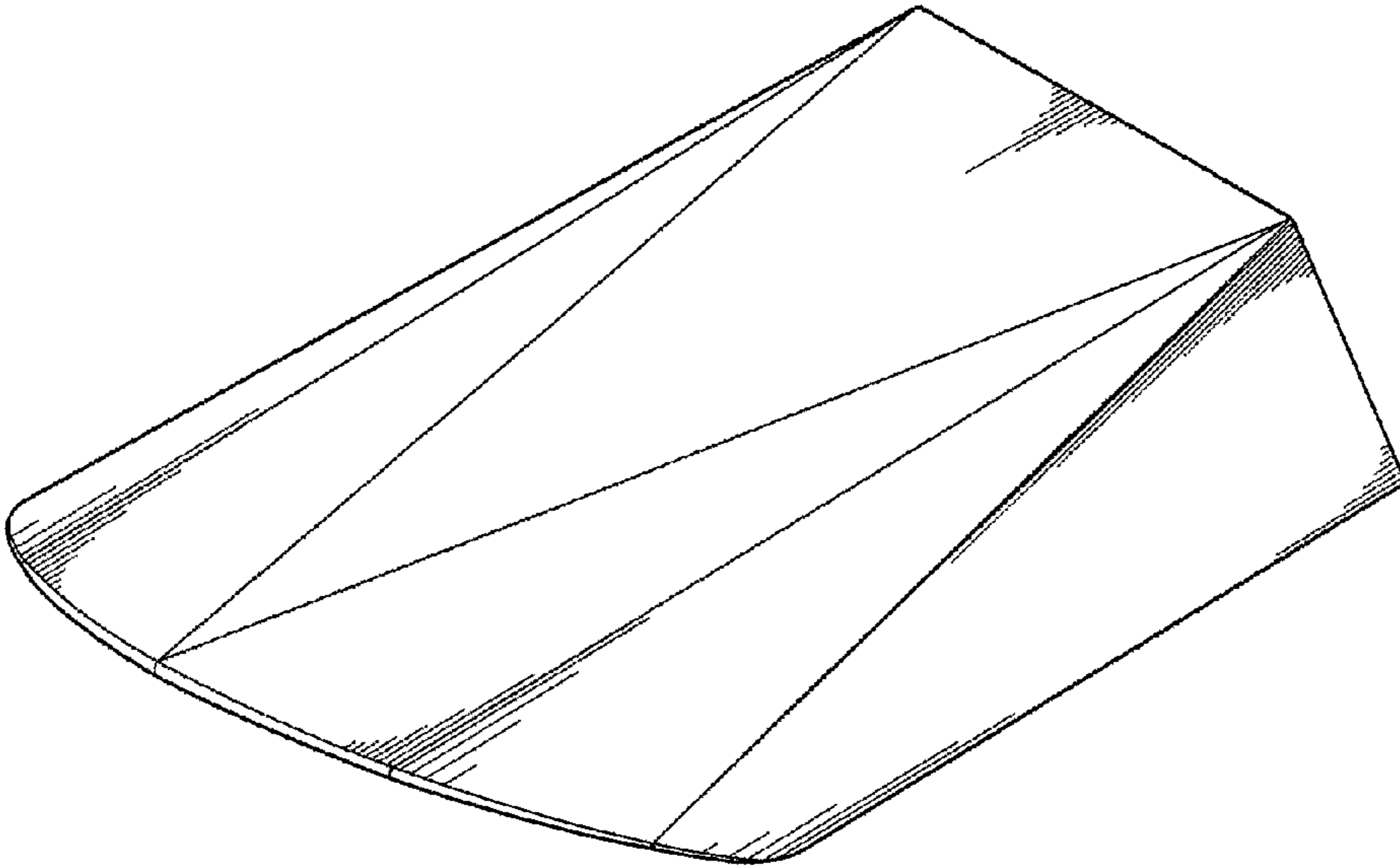
D416,032 S 11/1999 Bakshi  
 D428,618 S 7/2000 McBride  
 D438,227 S 2/2001 Grotto  
 D446,801 S 8/2001 Adachi et al.  
 D447,760 S \* 9/2001 Lantz ..... D16/219  
 D449,630 S 10/2001 Rak et al.  
 D452,696 S 1/2002 Fenton  
 6,375,369 B1 \* 4/2002 Schneider ..... G03B 17/02  
 348/143  
 D468,697 S 1/2003 Straub, Jr.  
 D472,259 S 3/2003 Rupe  
 D473,888 S 4/2003 Jones et al.  
 D474,488 S 5/2003 Arbuckle et al.  
 D481,406 S 10/2003 Alessio  
 D481,407 S 10/2003 Alessio  
 D489,744 S 5/2004 Muto  
 D507,804 S 7/2005 Nagai  
 D508,710 S 8/2005 Nagai  
 D508,934 S 8/2005 Nagai  
 D510,374 S 10/2005 Greenwood et al.  
 D512,087 S 11/2005 Kato et al.  
 D514,150 S 1/2006 Muto et al.  
 D515,607 S 2/2006 Cheng  
 D518,842 S \* 4/2006 Hilborn ..... D16/200  
 D522,035 S 5/2006 Muto  
 7,066,663 B2 \* 6/2006 Cheng ..... G03B 17/08  
 348/373  
 D528,144 S 9/2006 Takemasa  
 D529,063 S 9/2006 Cheng  
 D539,751 S 4/2007 Kiely  
 D540,360 S 4/2007 Yamakawa  
 D541,326 S 4/2007 Ford et al.  
 D543,568 S 5/2007 Naruki  
 D551,275 S 9/2007 Kim  
 D552,501 S 10/2007 Lin et al.  
 D554,170 S 10/2007 Grotto  
 7,360,909 B1 \* 4/2008 Hughes ..... G03B 15/02  
 362/16  
 D575,810 S 8/2008 Alm  
 D578,561 S 10/2008 Dumanogullari  
 D582,460 S 12/2008 Yoo et al.  
 D589,607 S \* 3/2009 Ungar ..... D24/110.2  
 D592,231 S 5/2009 Schnell  
 D594,048 S 6/2009 Yamakawa  
 D595,659 S 7/2009 Maurer et al.  
 D601,096 S 9/2009 Vigorito et al.  
 7,616,392 B2 \* 11/2009 Igarashi ..... G03B 17/02  
 359/818  
 D605,217 S \* 12/2009 Kobre ..... D16/237  
 D607,033 S 12/2009 Arbuckle et al.  
 D609,727 S 2/2010 Adolfsson et al.  
 D610,178 S 2/2010 Adolfsson et al.  
 D610,183 S 2/2010 Nohavec et al.  
 D612,712 S 3/2010 Rix  
 D614,222 S 4/2010 Yamakawa  
 D615,114 S 5/2010 Arnold et al.  
 D628,225 S 11/2010 Deurwaarder  
 D635,173 S 3/2011 Yamakawa  
 D638,871 S 5/2011 Bergstrom et al.

D642,607 S 8/2011 Bergstrom et al.  
 D643,452 S 8/2011 Alm et al.  
 D645,071 S 9/2011 Hinkel  
 8,111,984 B2 \* 2/2012 Wood ..... G03B 11/00  
 359/611  
 D661,719 S 6/2012 Katori et al.  
 D662,120 S 6/2012 Deurwaarder  
 D664,178 S 7/2012 Hinkel  
 D666,660 S 9/2012 Amit et al.  
 D668,701 S 10/2012 Ohno et al.  
 D676,814 S 2/2013 Paul  
 D676,887 S 2/2013 Nakashima et al.  
 D677,634 S 3/2013 Korcz et al.  
 D679,252 S 4/2013 Wagner et al.  
 D684,618 S 6/2013 Park et al.  
 D684,619 S 6/2013 Chapple et al.  
 D684,935 S 6/2013 DeCosta  
 D690,344 S 9/2013 Hollinger  
 D694,798 S 12/2013 Deurwaarder  
 D696,329 S 12/2013 Horiki et al.  
 D697,123 S 1/2014 Takahashi et al.  
 D702,198 S 4/2014 Gretz  
 D702,274 S \* 4/2014 Qian ..... D16/203  
 D702,275 S 4/2014 Ying  
 D707,743 S \* 6/2014 Nakashima ..... D16/202  
 D708,656 S \* 7/2014 Shapir ..... D16/238  
 D716,362 S \* 10/2014 Generotti ..... D16/237  
 D721,756 S \* 1/2015 Hallstrom ..... D16/203  
 D722,296 S 2/2015 Taylor  
 D725,692 S 3/2015 Celler  
 D731,574 S \* 6/2015 Hallstrom ..... D16/203  
 D732,596 S 6/2015 Wang et al.  
 D732,597 S 6/2015 Celler  
 D757,834 S \* 5/2016 Duncan ..... D16/200  
 2006/0077285 A1 \* 4/2006 Cheng ..... G03B 17/02  
 348/373  
 2008/0181598 A1 \* 7/2008 Kobre ..... G03B 15/06  
 396/174  
 2010/0067898 A1 \* 3/2010 Arbuckle ..... G03B 17/08  
 396/535  
 2011/0194184 A1 \* 8/2011 Barton ..... G03B 11/04  
 359/601  
 2014/0198208 A1 \* 7/2014 Neufeld ..... G06F 3/005  
 348/143  
 2015/0098686 A1 \* 4/2015 Obukhov ..... G08B 13/19656  
 386/226  
 2016/0026070 A1 \* 1/2016 Holbrook ..... G03B 15/05  
 396/535  
 2016/0088752 A1 \* 3/2016 Zaccaria ..... G02B 27/0006  
 348/376  
 2016/0094780 A1 \* 3/2016 Monkiewicz ..... G03B 13/36  
 348/164

OTHER PUBLICATIONS

Axis Communications, "AXIS M11 Network Camera Series", data sheet; 4 pages, copyright 2012.  
 Axis Communications, "AXIS M11-L Network Camera Series", data sheet; 4 pages, copyright 2012.

\* cited by examiner



**FIG. 1**

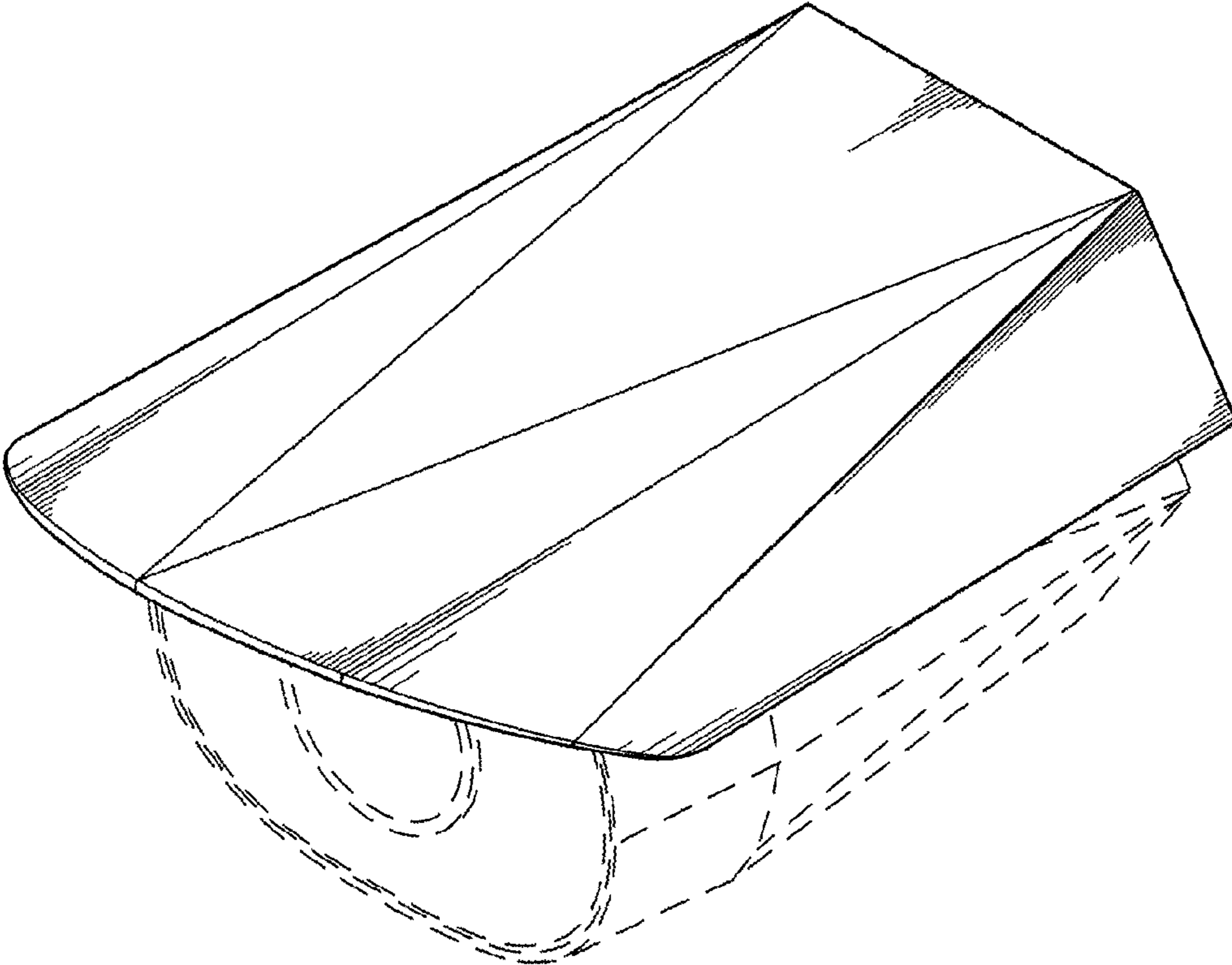


FIG. 2

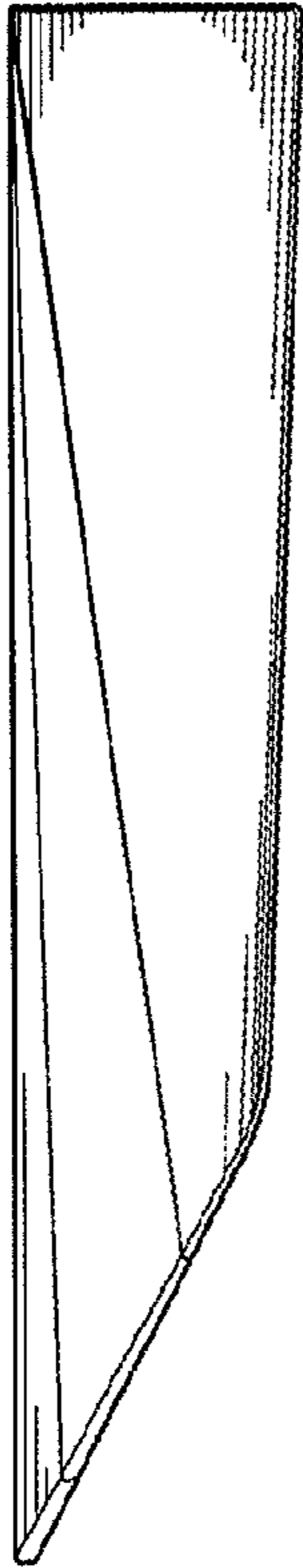


FIG. 4

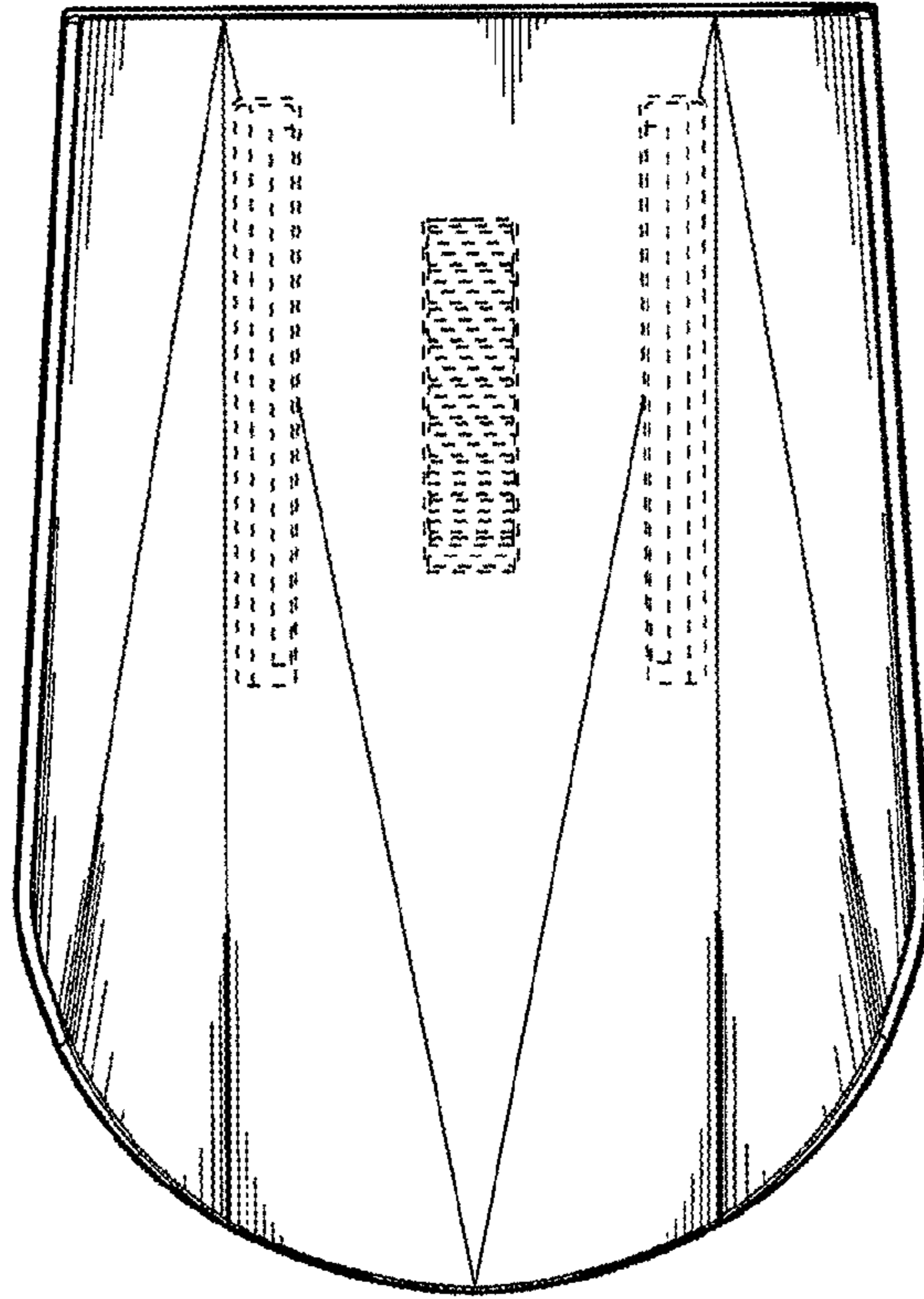


FIG. 5

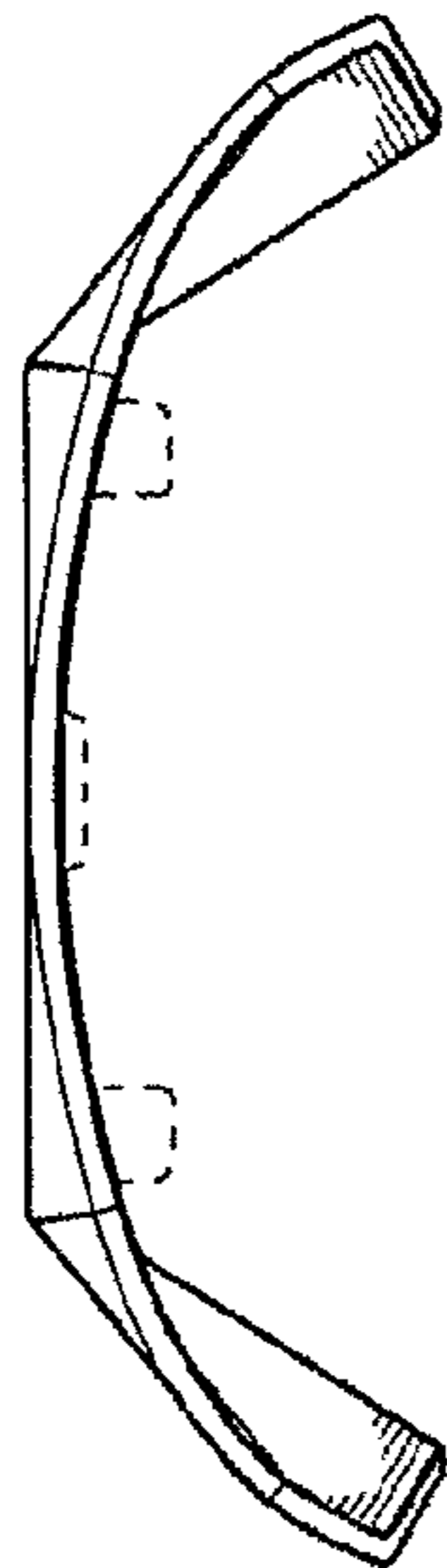


FIG. 3

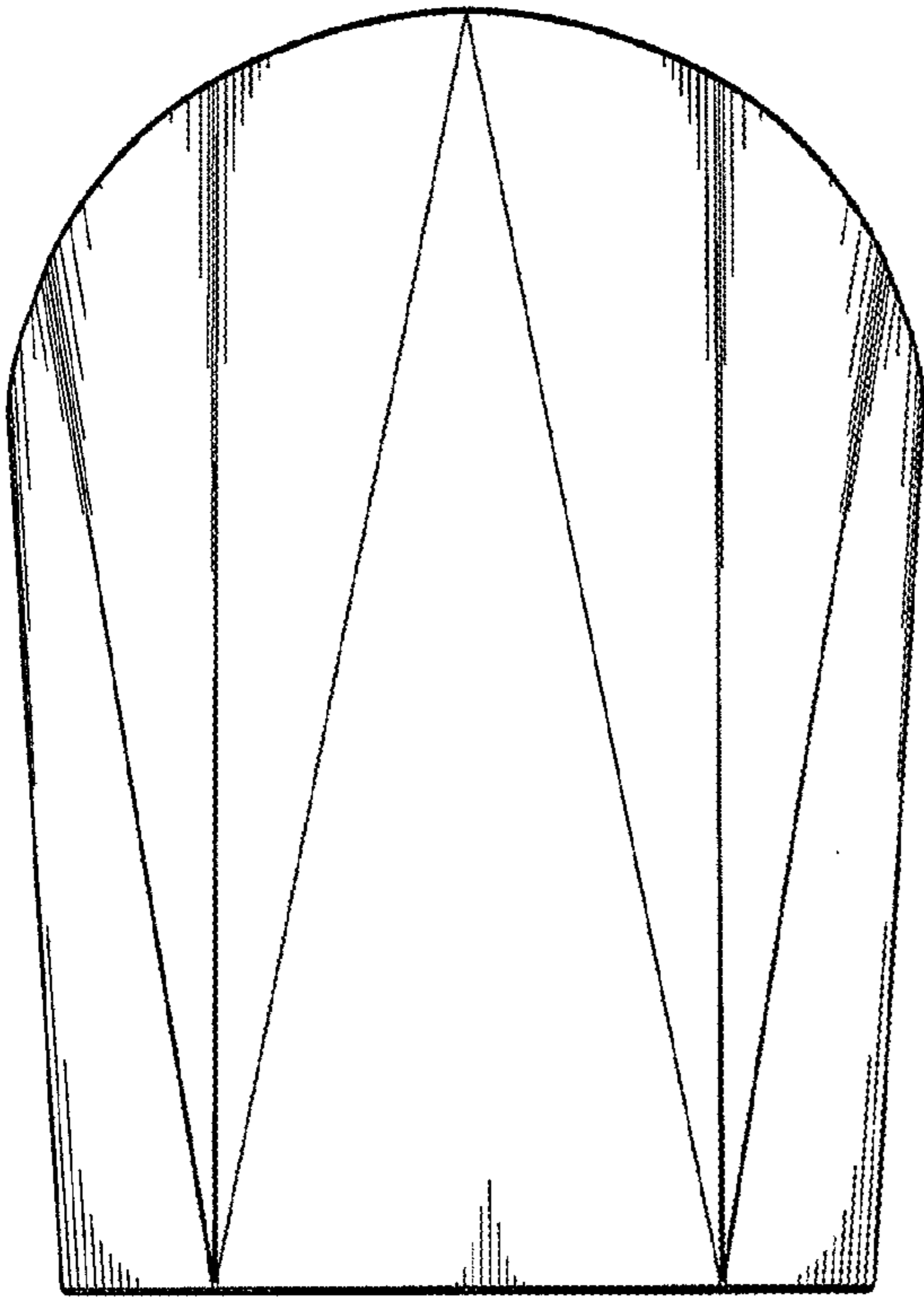


FIG. 8

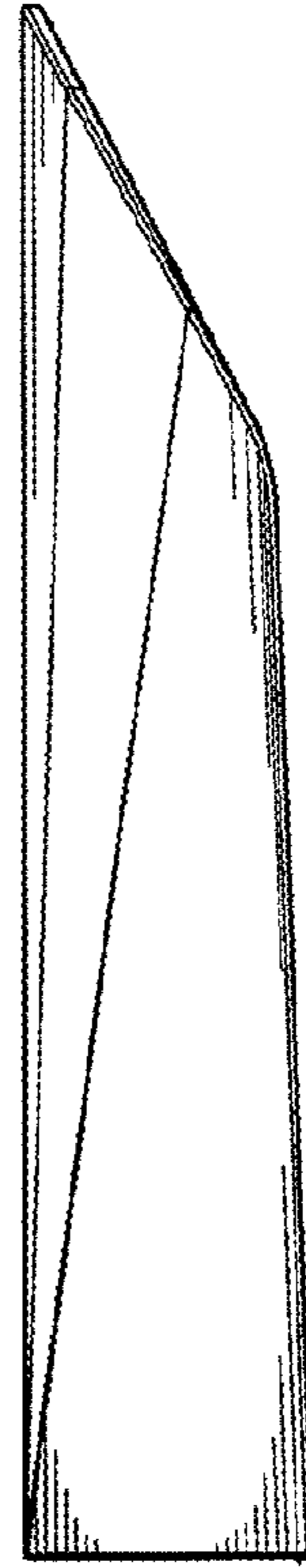


FIG. 7

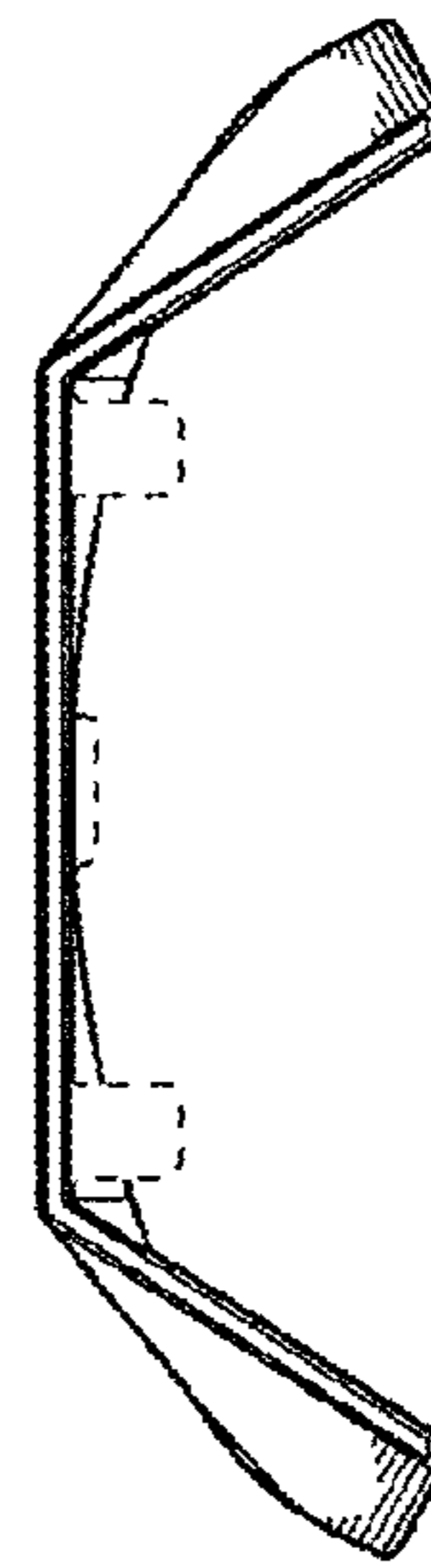


FIG. 6