



US00D775255S

(12) **United States Design Patent**
Miyashita

(10) **Patent No.:** **US D775,255 S**

(45) **Date of Patent:** **** Dec. 27, 2016**

(54) **CAMERA**

(71) Applicant: **Sony Corporation**, Tokyo (JP)

(72) Inventor: **Shin Miyashita**, Tokyo (JP)

(73) Assignee: **Sony Corporation**, Tokyo (JP)

(**) Term: **14 Years**

(21) Appl. No.: **29/437,112**

(22) Filed: **Nov. 13, 2012**

(30) **Foreign Application Priority Data**

Jun. 4, 2012 (CN) 2012 3 0221050
Jun. 6, 2012 (JP) D2012-013416
Jun. 6, 2012 (JP) D2012-013420
Jun. 6, 2012 (JP) D2012-013421

(51) **LOC (10) Cl.** **16-05**

(52) **U.S. Cl.**
USPC **D16/219**

(58) **Field of Classification Search**
USPC D16/134, 136, 200, 202-206, 208, 218,
D16/219; 348/373-376; 359/826-828;
396/529-532, 535, 539-541
CPC G03B 17/02; G03B 19/04; G03B 17/56;
G03B 17/04; G03B 15/03; G03B 17/14;
H04N 5/2251; H04N 5/2252; H04N
5/2253; H04N 5/2254; G02B 7/02; G02B
7/04; G02B 7/14
See application file for complete search history.

(56) **References Cited**

U.S. PATENT DOCUMENTS

D311,735 S * 10/1990 Arai et al. D16/218
D450,074 S 11/2001 Miyashita
D487,104 S 2/2004 Obata
D516,599 S * 3/2006 Nakamura D16/202
D519,141 S 4/2006 Hayashi

D532,031 S 11/2006 Hayashi
D557,722 S * 12/2007 Horiki et al. D16/202
D559,294 S 1/2008 Hibi
D566,148 S 4/2008 Akita
D577,757 S 9/2008 Sumita
D582,459 S * 12/2008 Nakamura D16/202
D597,578 S * 8/2009 Kim et al. D16/202
D605,677 S 12/2009 Shimobayashi
D605,678 S 12/2009 Shimobayashi
D609,261 S * 2/2010 Takahashi D16/202
D611,974 S * 3/2010 Kwon et al. D16/202
D631,496 S 1/2011 Tainaka
D639,840 S * 6/2011 Sin et al. D16/202
D641,033 S * 7/2011 Nohara D16/202

(Continued)

FOREIGN PATENT DOCUMENTS

JP D1411402 S 4/2011

Primary Examiner — Susan E Krakower

Assistant Examiner — Ramzi Almatrahi

(74) *Attorney, Agent, or Firm* — Michael Best and Friedrich LLP

(57) **CLAIM**

The ornamental design for a camera, as shown and described.

DESCRIPTION

FIG. 1 is a perspective view of a camera showing my new design;

FIG. 2 is a front elevational view thereof;

FIG. 3 is a left side elevational view thereof;

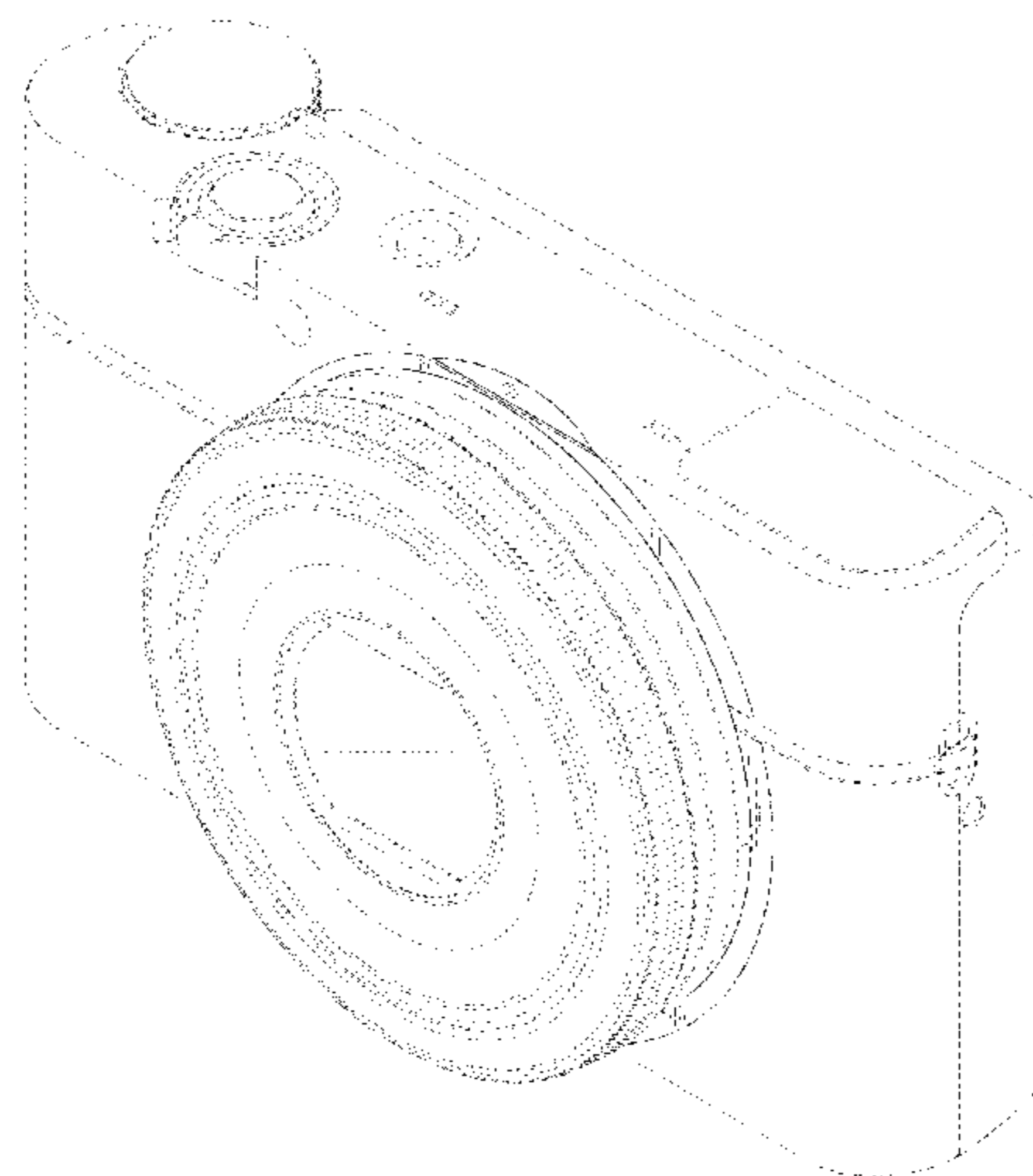
FIG. 4 is a right side elevational view thereof;

FIG. 5 is a top plan view thereof; and,

FIG. 6 is a bottom plan view thereof.

The broken lines in the drawings are included for the purpose of illustrating environmental subject matter and form no part of the claimed design. Dot-dash broken lines define the boundaries of, but not included in, the claimed design.

1 Claim, 5 Drawing Sheets



(56)

References Cited

U.S. PATENT DOCUMENTS

D648,363	S	11/2011	Takagi et al.	
D663,758	S *	7/2012	Ham	D16/202
D669,514	S *	10/2012	Ham	D16/202
D669,515	S *	10/2012	Jang et al.	D16/202
2007/0212062	A1 *	9/2007	Saiki et al.	396/535

* cited by examiner

FIG.1

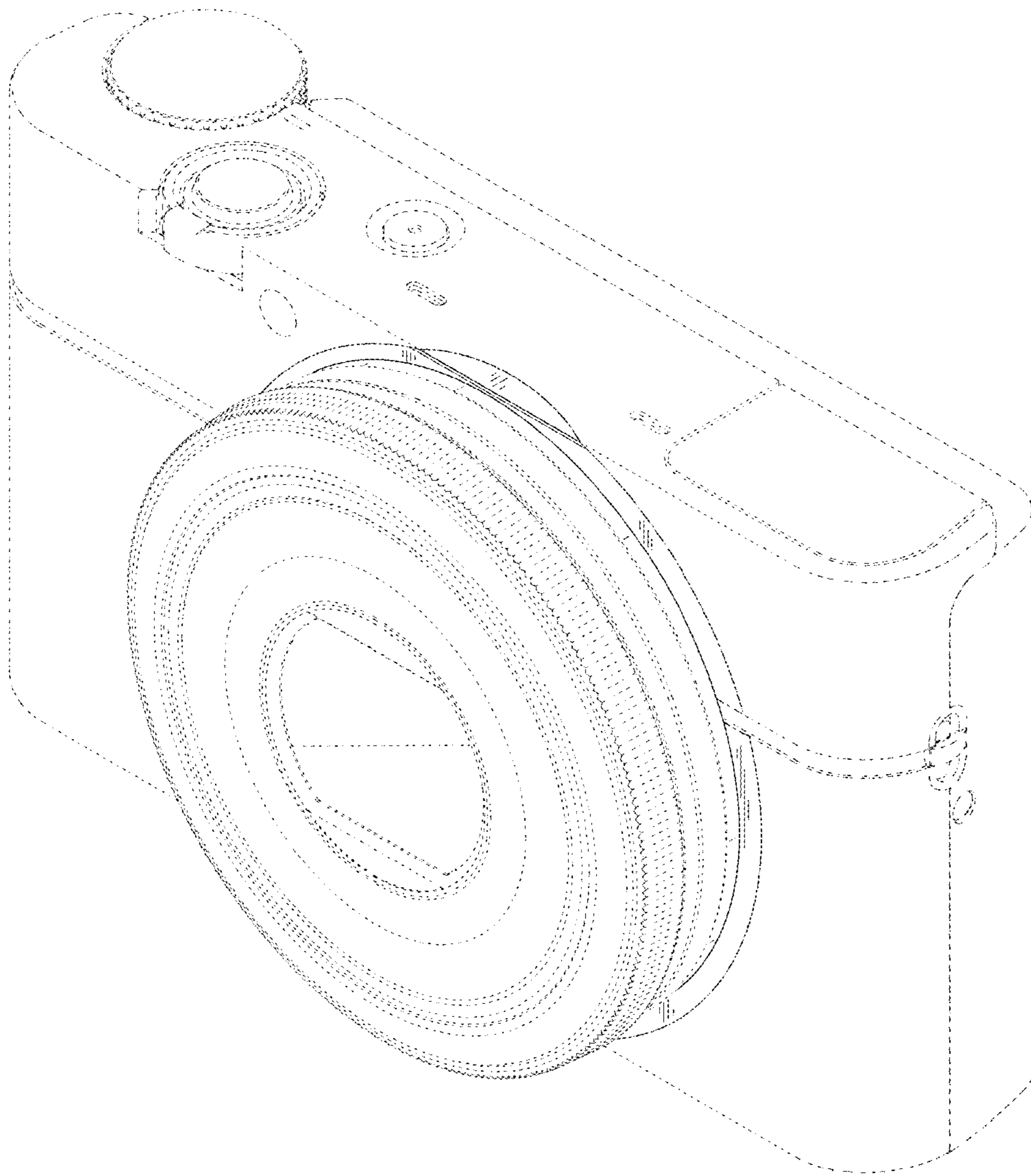


FIG.2

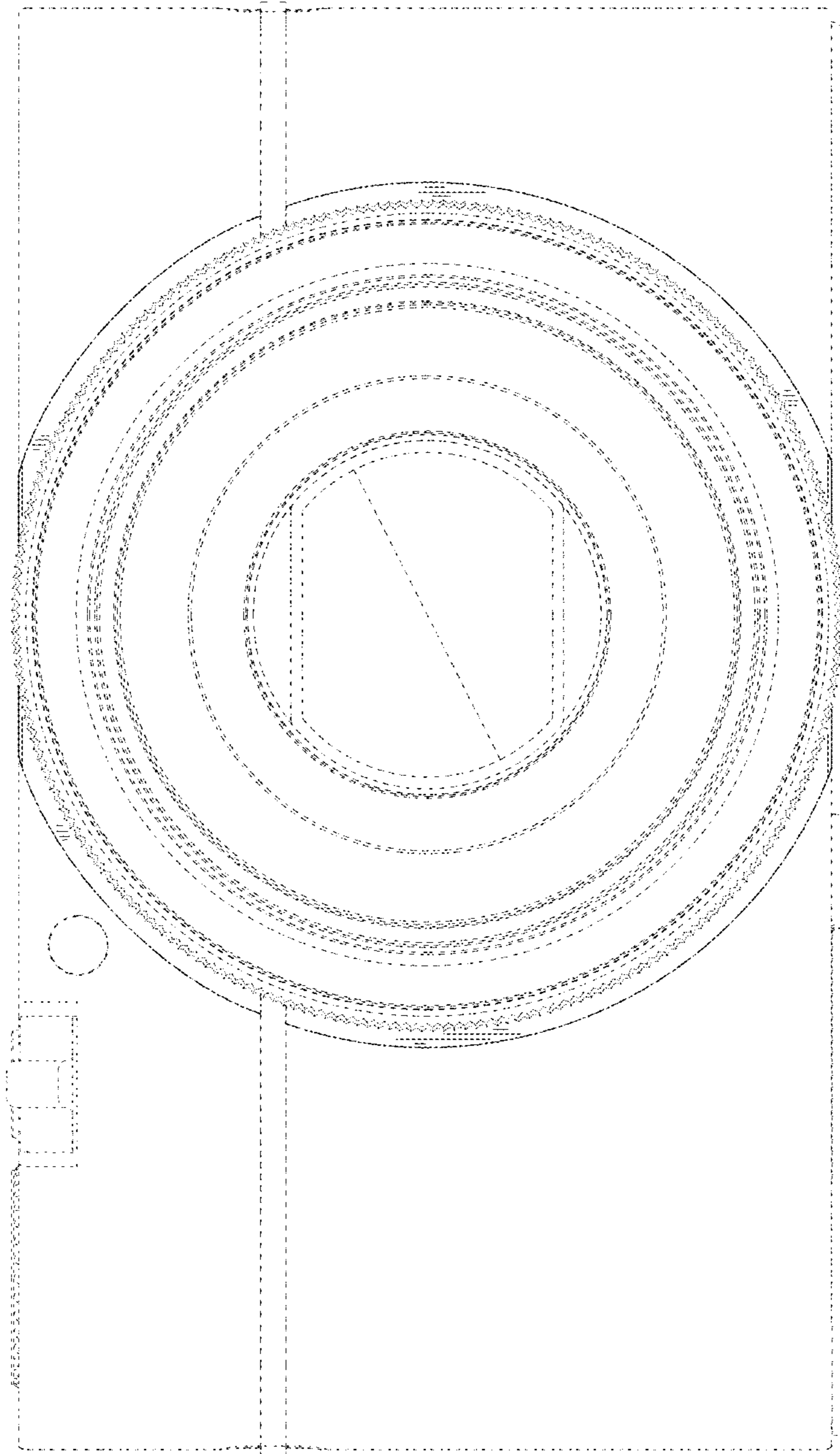


FIG.4

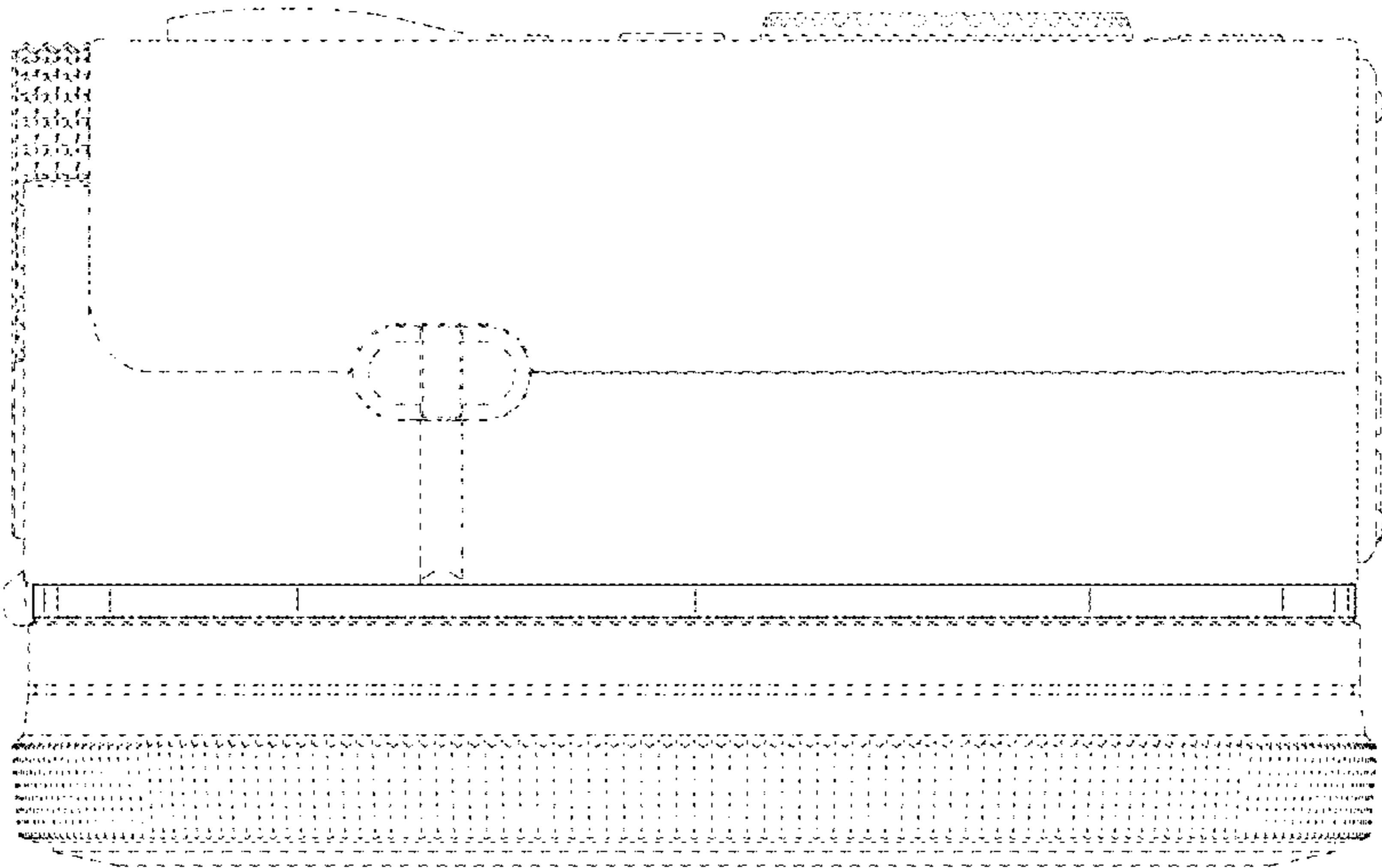


FIG.3

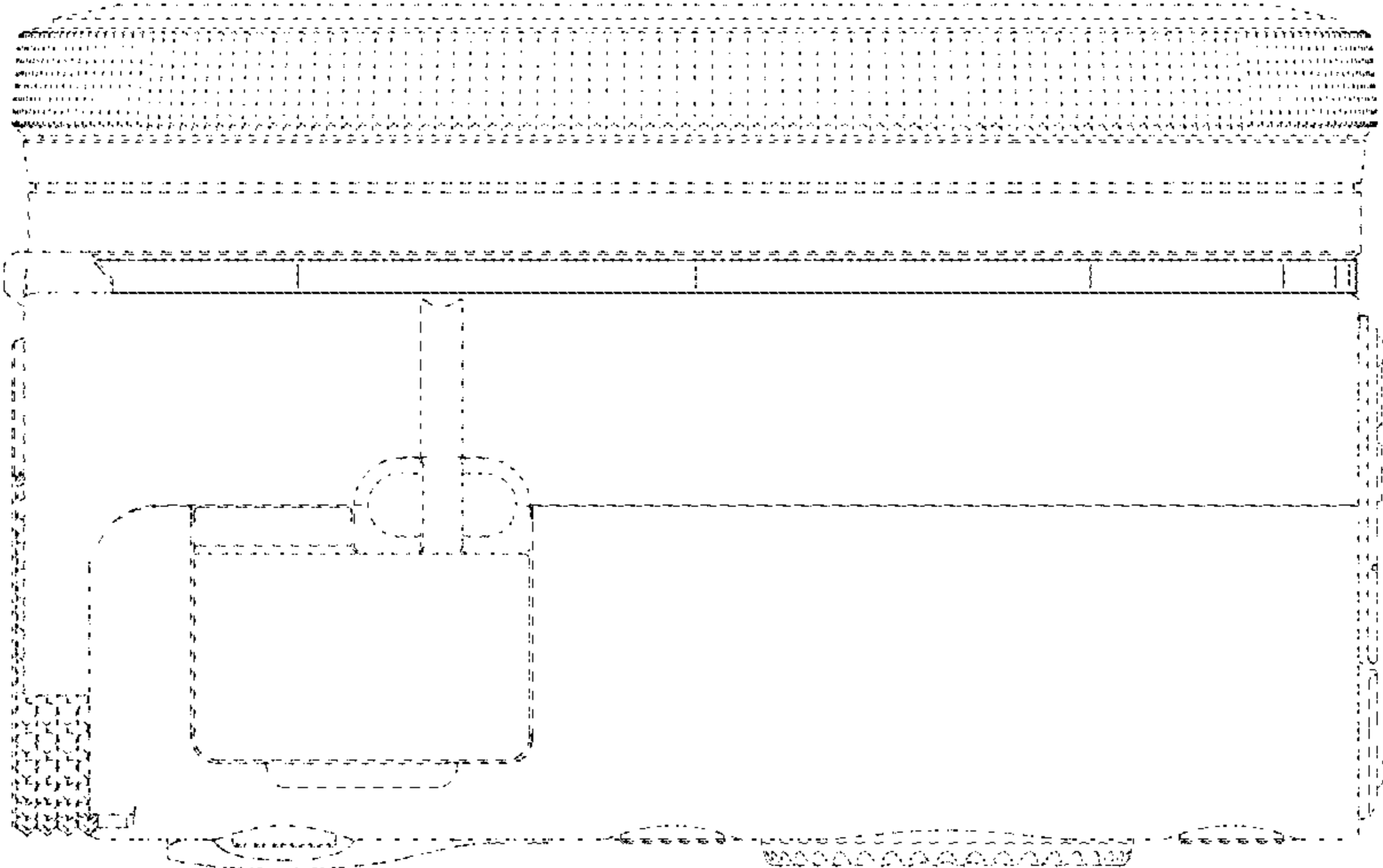


FIG.5

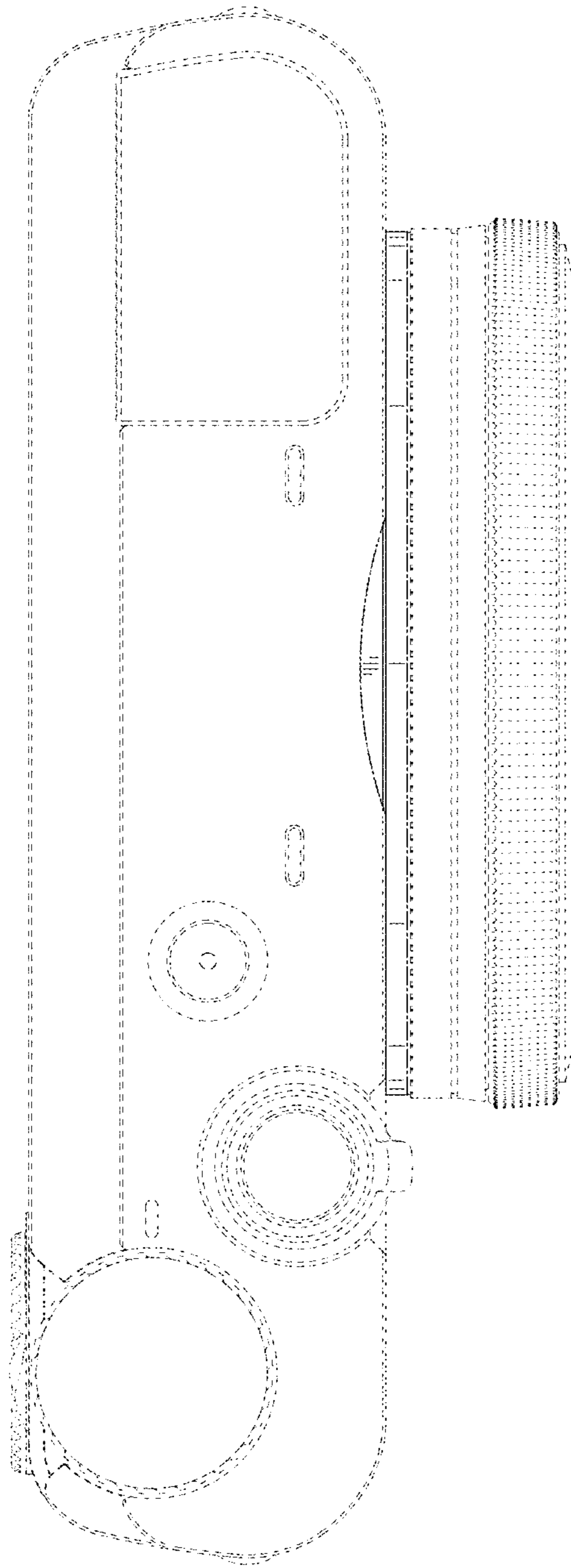


FIG.6

