



US00D775254S

(12) **United States Design Patent**
Parfitt et al.

(10) **Patent No.:** **US D775,254 S**

(45) **Date of Patent:** **** Dec. 27, 2016**

(54) **CAMERA**

(71) Applicant: **GoPro, Inc.**, San Mateo, CA (US)

(72) Inventors: **Ben Parfitt**, Mountain View, CA (US);
Fred Bould, Menlo Park, CA (US);
Richard Gioscia, Santa Clara, CA (US)

(73) Assignee: **GoPro, Inc.**, San Mateo, CA (US)

(**) Term: **14 Years**

(21) Appl. No.: **29/497,155**

(22) Filed: **Jul. 21, 2014**

(51) **LOC (10) Cl.** **16-01**

(52) **U.S. Cl.**
USPC **D16/202**

(58) **Field of Classification Search**

USPC D16/200, 202–206, 208, 209, 218, 219;
348/294, 373–376; 359/826; 396/6, 301,
396/529, 535, 539–541

CPC G03B 15/03; G03B 17/02; G03B 17/04;
G03B 17/56; G03B 19/04; H04N 5/2251;
H04N 5/2252; H04N 5/2253; H04N
5/2254; H04N 2101/00

See application file for complete search history.

(56) **References Cited**

U.S. PATENT DOCUMENTS

D321,705 S *	11/1991	Ohmura	D16/200
D392,659 S *	3/1998	Takano	D16/200
6,233,400 B1 *	5/2001	Muramatsu	G03B 17/02
				396/284
D532,030 S *	11/2006	Yoshida	D16/202
D533,574 S *	12/2006	Hamamura	D16/202
D534,564 S *	1/2007	Tainaka	D16/202
D538,322 S *	3/2007	Horikiri	D16/202
7,626,621 B2 *	12/2009	Ito	H04N 5/2253
				348/294

(Continued)

Primary Examiner — Philip S Hyder

Assistant Examiner — Ramzi Almatrahi

(74) *Attorney, Agent, or Firm* — Fenwick & West LLP

(57) **CLAIM**

The ornamental design for a camera, as shown and described.

DESCRIPTION

FIG. 1 is a front, top and right side perspective view of a camera showing our new design according to a first embodiment;

FIG. 2 is a front, bottom and left side perspective view thereof;

FIG. 3 is a rear, top and left side perspective view thereof;

FIG. 4 is a rear, bottom and right side perspective view thereof;

FIG. 5 is a front elevational view thereof;

FIG. 6 is a rear elevational view thereof;

FIG. 7 is a right side elevational view thereof;

FIG. 8 is a left side elevational view thereof;

FIG. 9 is a top plan view thereof;

FIG. 10 is a bottom plan view thereof;

FIG. 11 is a front, top and right side perspective view of a second embodiment of the camera illustrated in FIGS. 1-10;

FIG. 12 is a right side elevational view thereof;

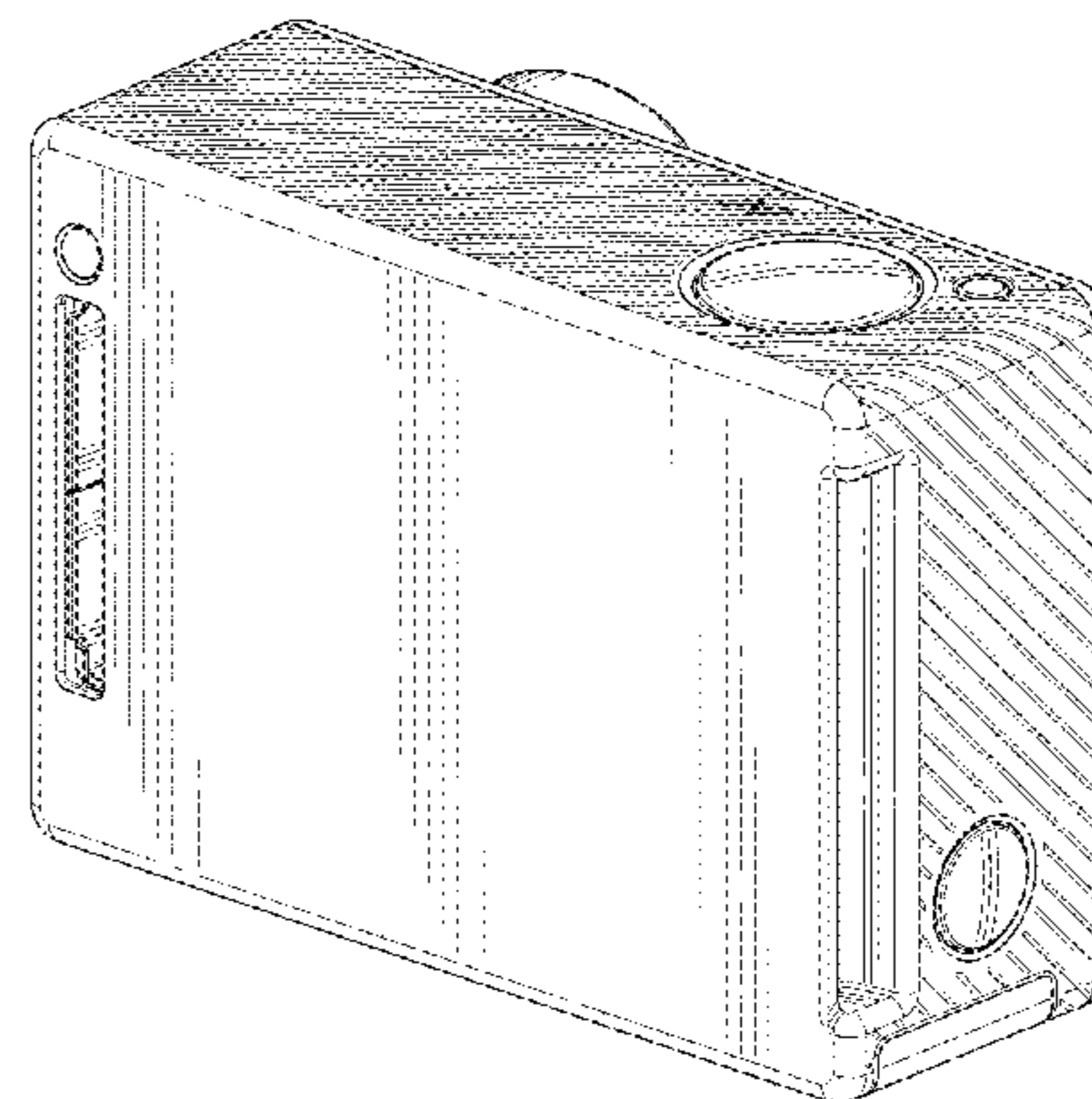
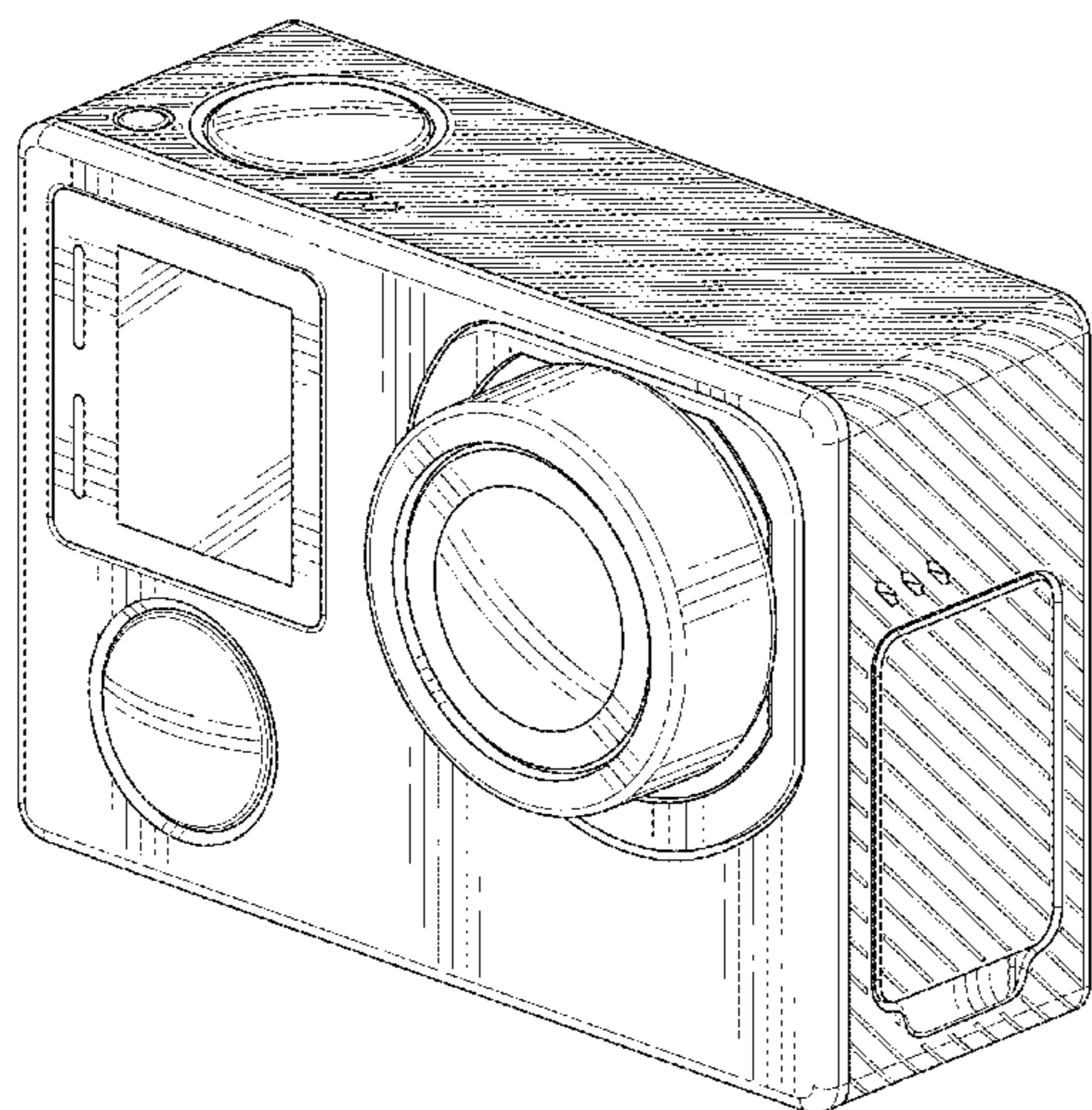
FIG. 13 is a front elevational view of a third embodiment of the camera illustrated in FIGS. 1-10;

FIG. 14 is a left side elevational view of a fourth embodiment of the camera illustrated in FIGS. 1-10; and,

FIG. 15 is a top plan view of a fifth embodiment of the camera illustrated in FIGS. 1-10.

The broken lines depict portions of the camera in which the design is embodied that form no part of the claimed design.

1 Claim, 15 Drawing Sheets



(56)

References Cited

U.S. PATENT DOCUMENTS

7,683,968 B2 *	3/2010	Hagihara	G02B 27/0006 348/335
D721,395 S *	1/2015	Woodman	D16/218
D732,593 S *	6/2015	Woodman	D16/200
D737,879 S *	9/2015	Woodman	D16/218

* cited by examiner

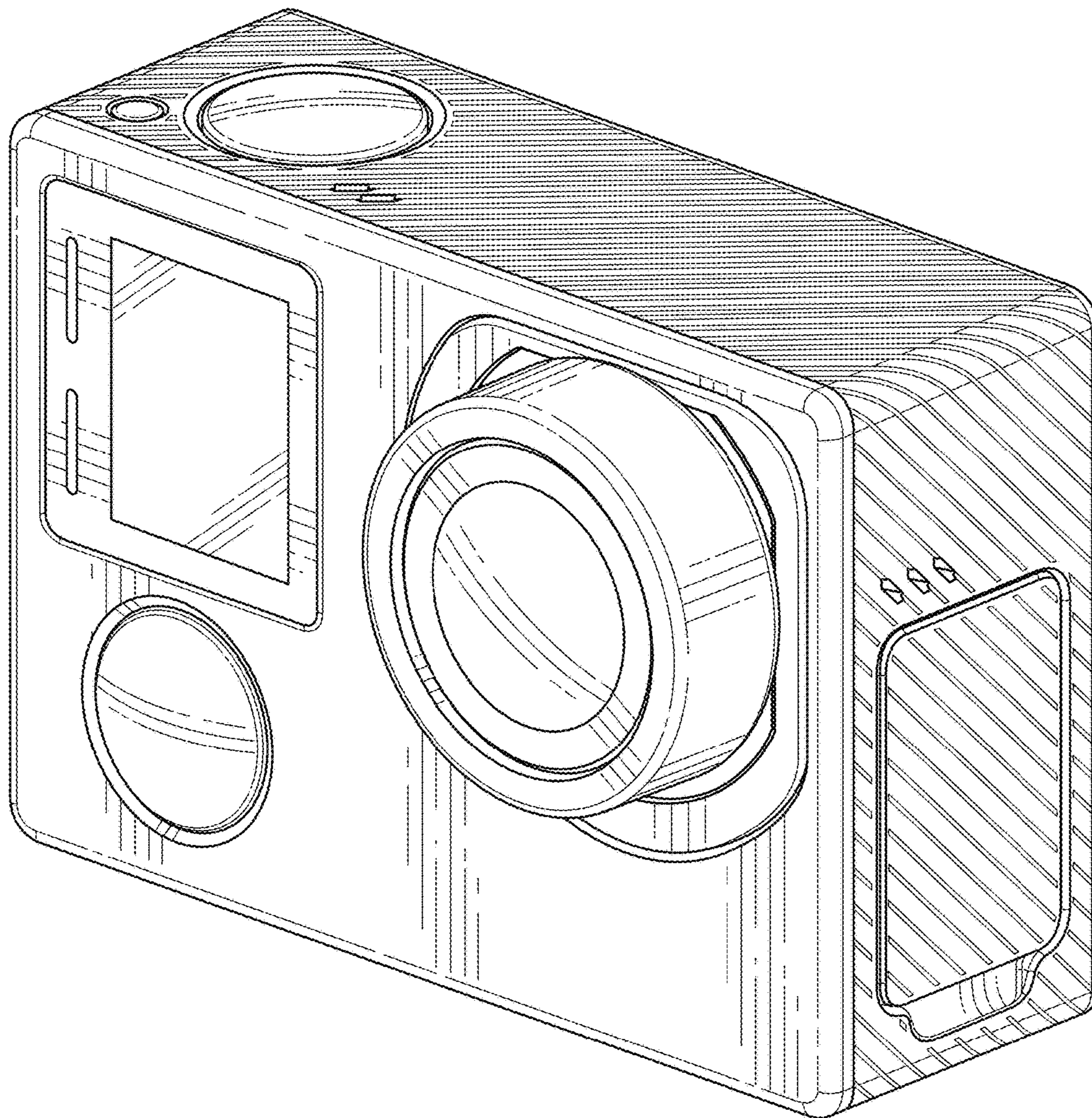


FIG. 1

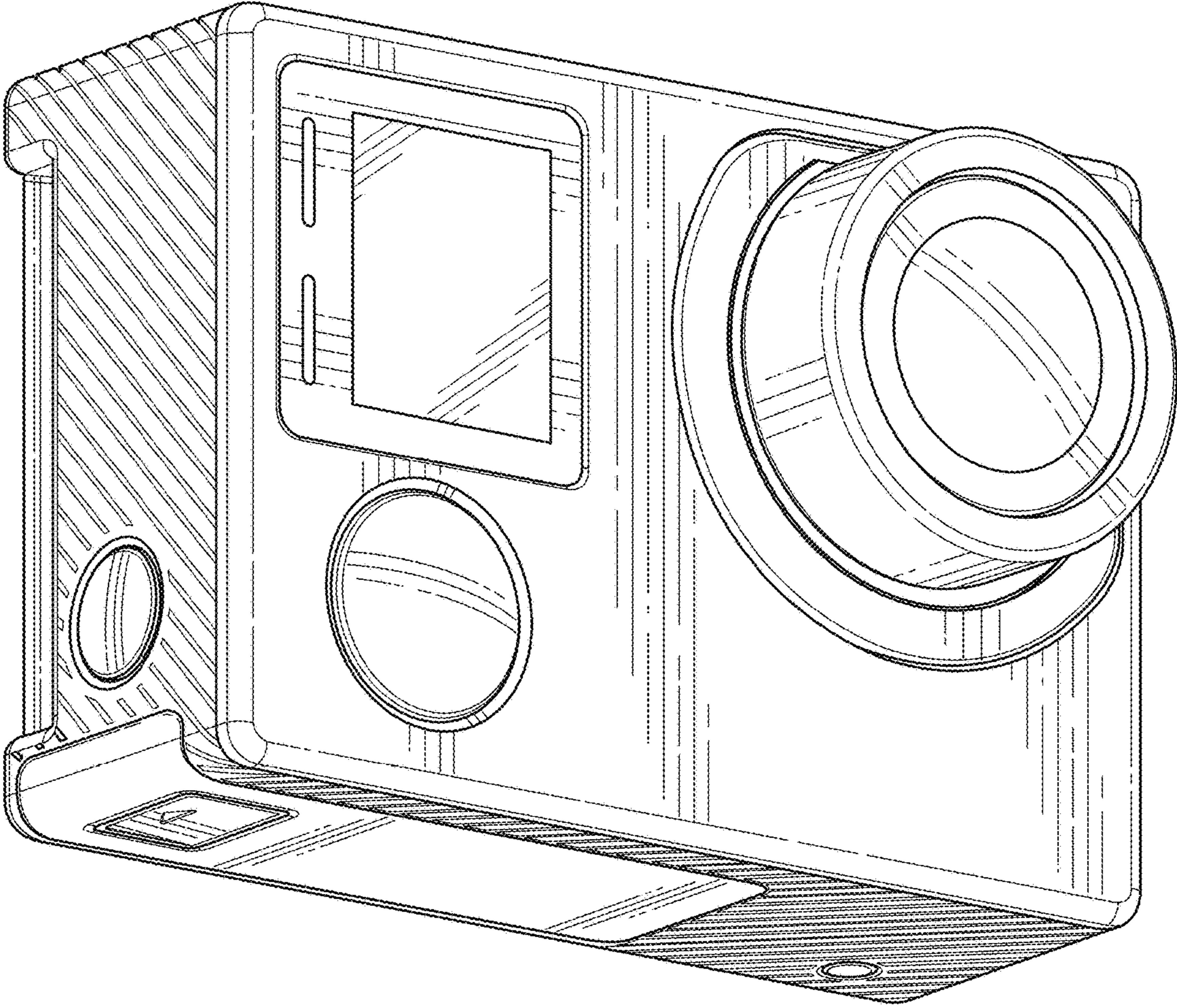


FIG. 2

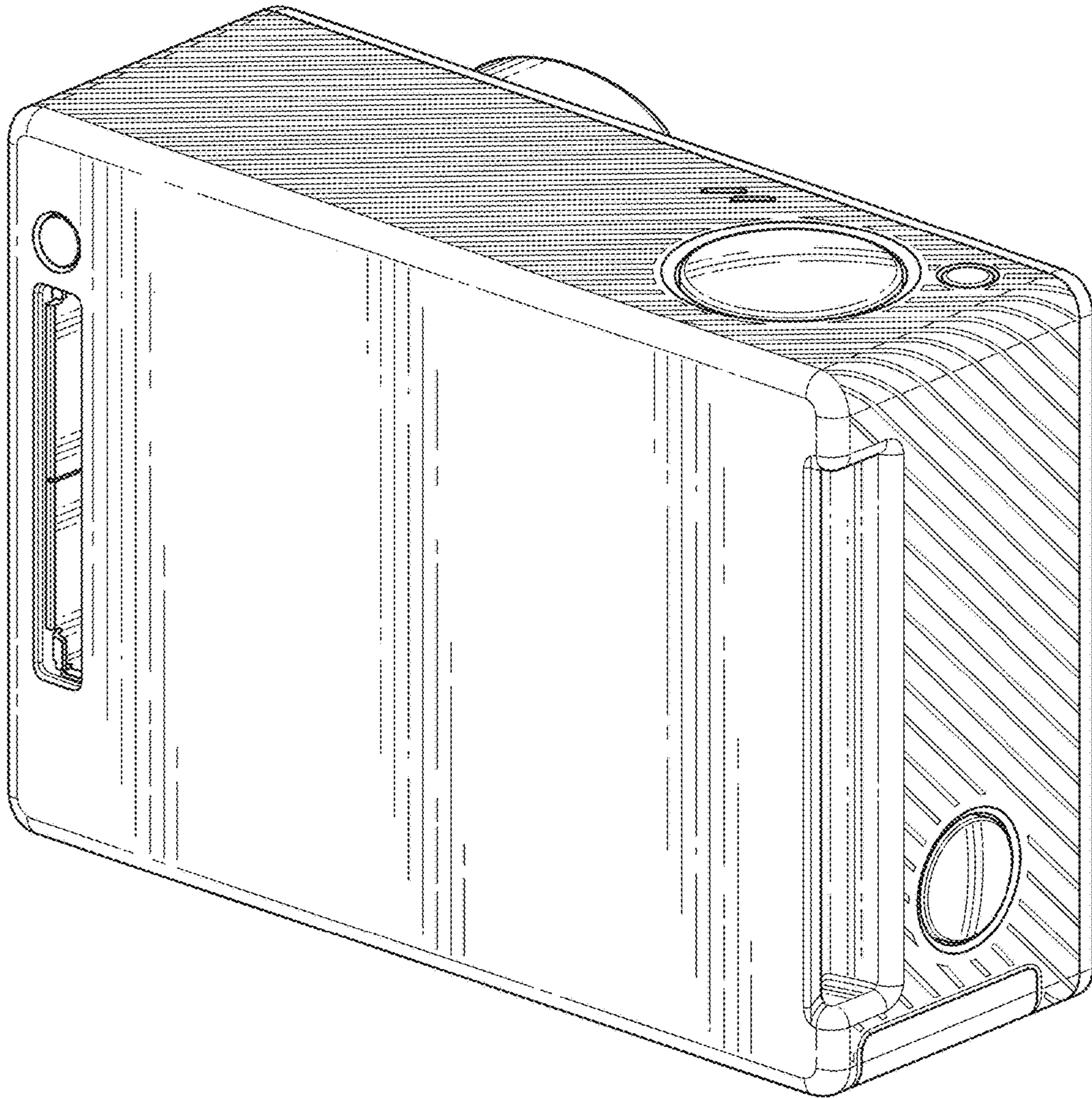


FIG. 3

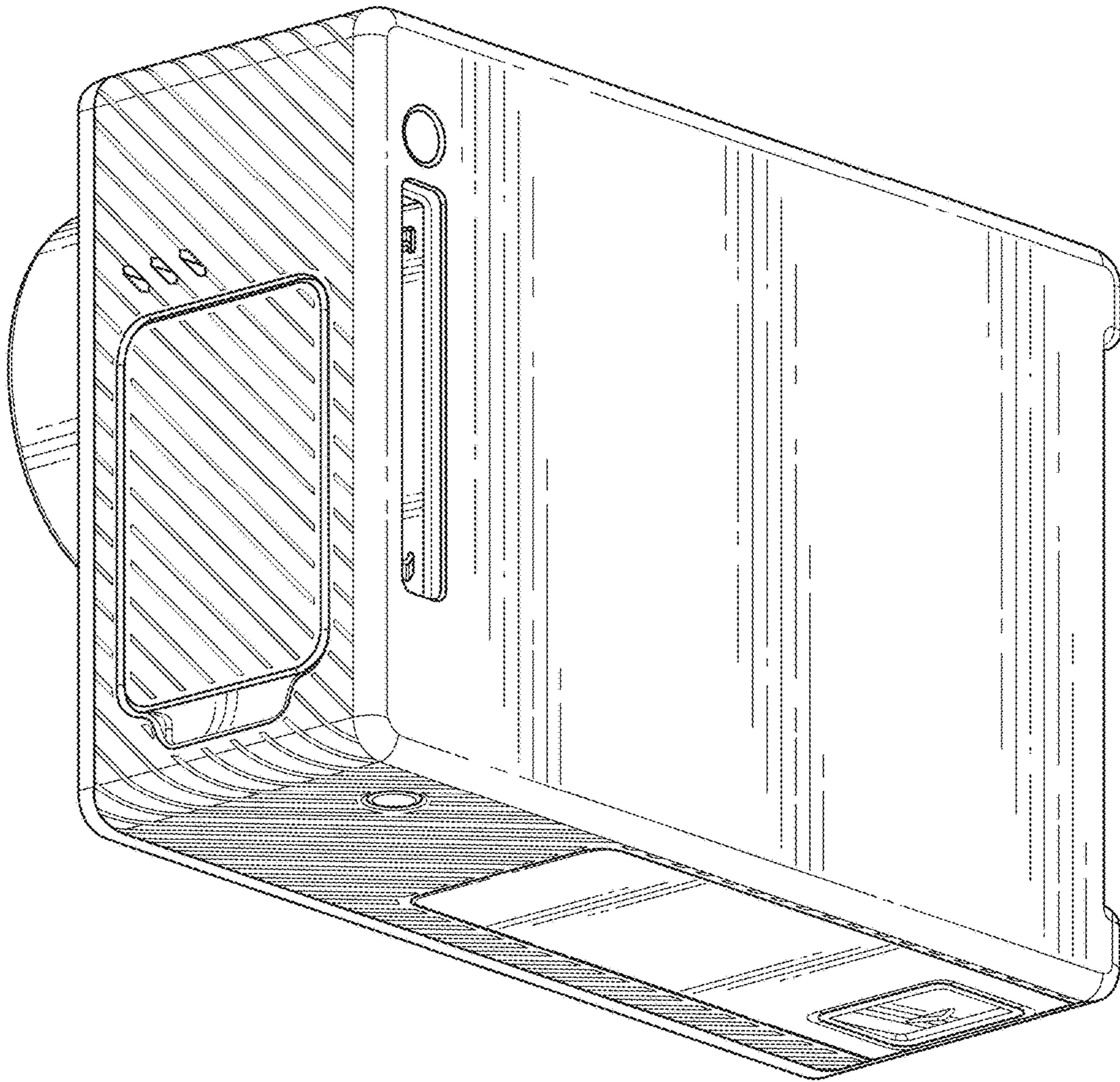


FIG. 4

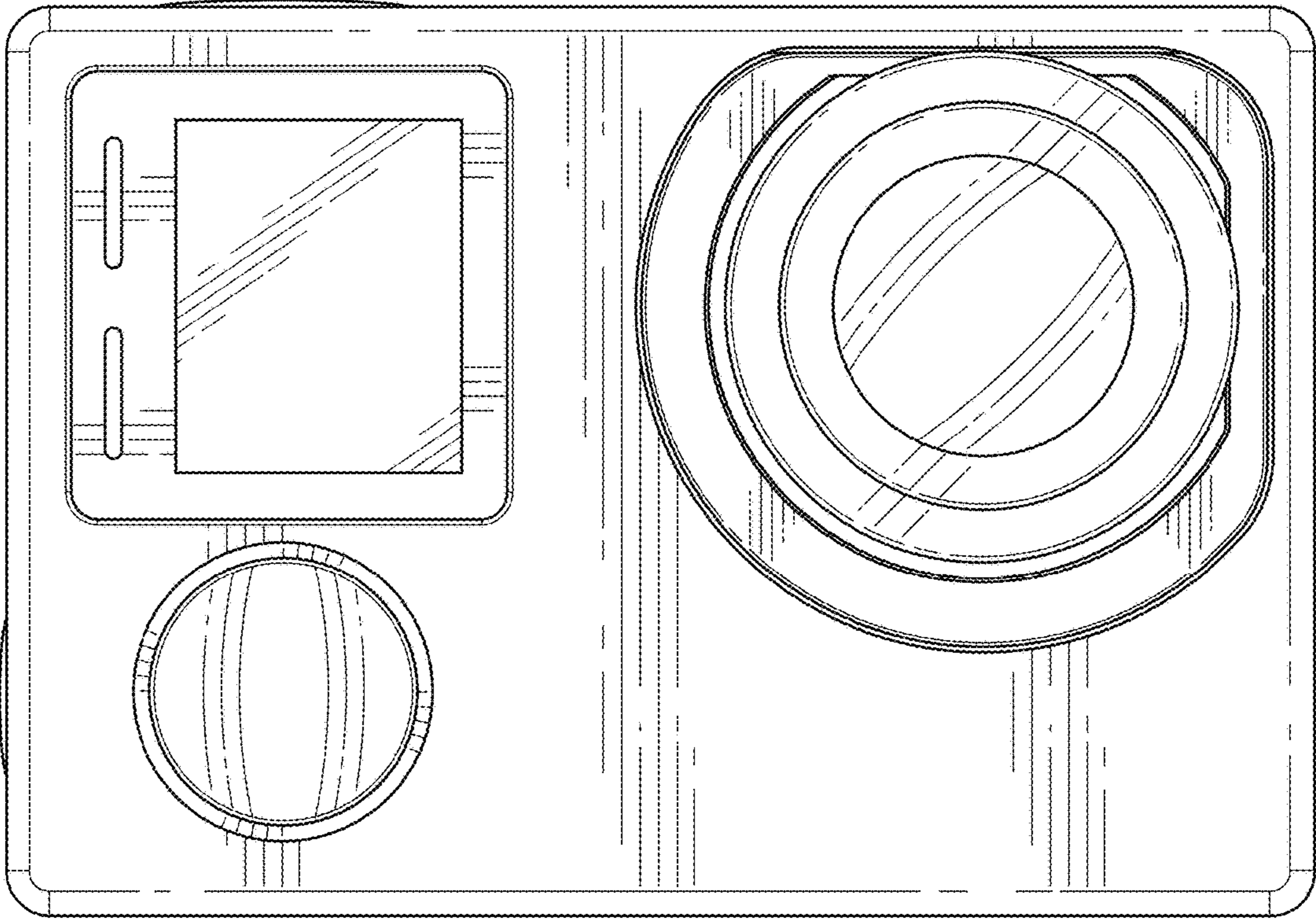


FIG. 5

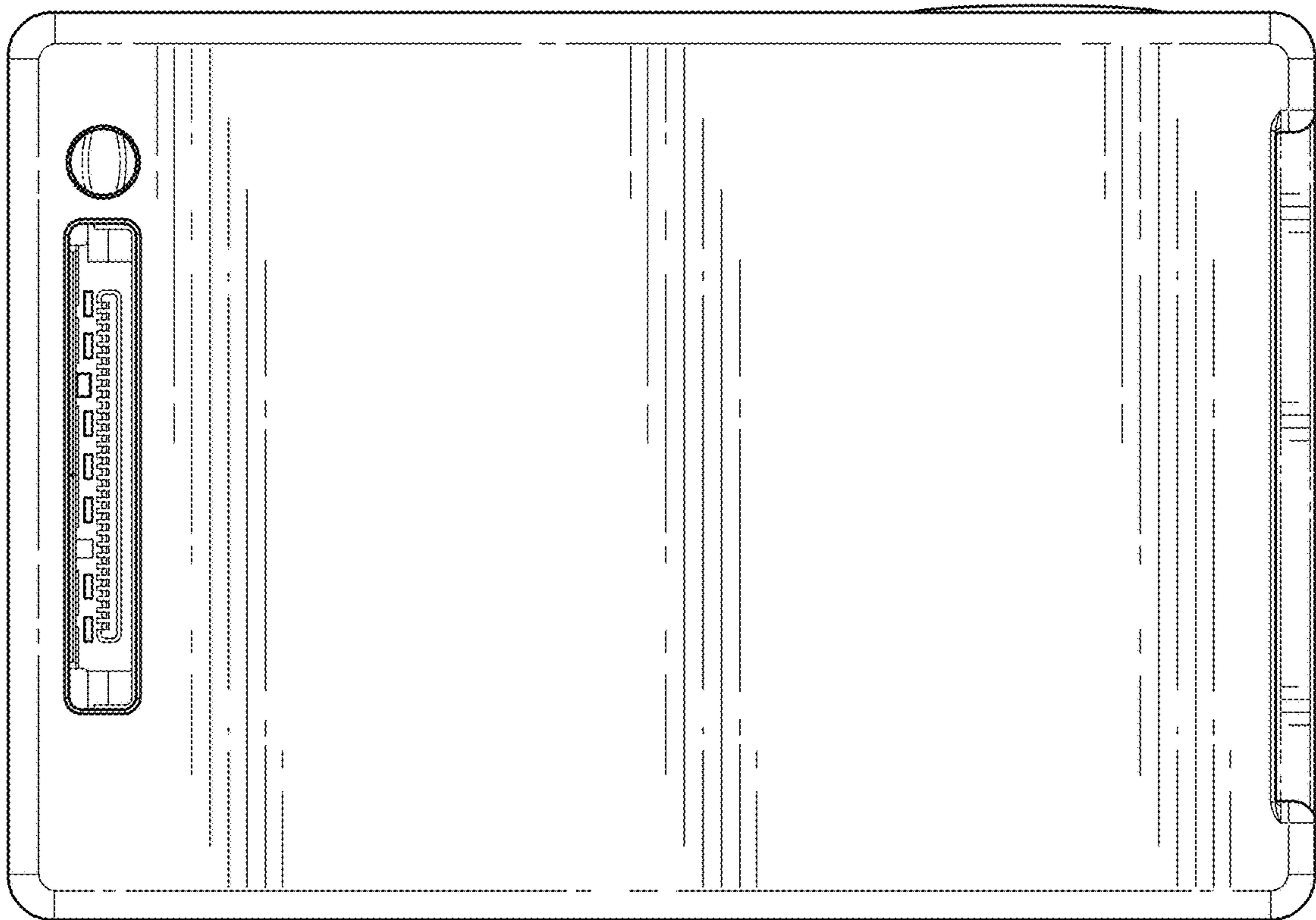


FIG. 6

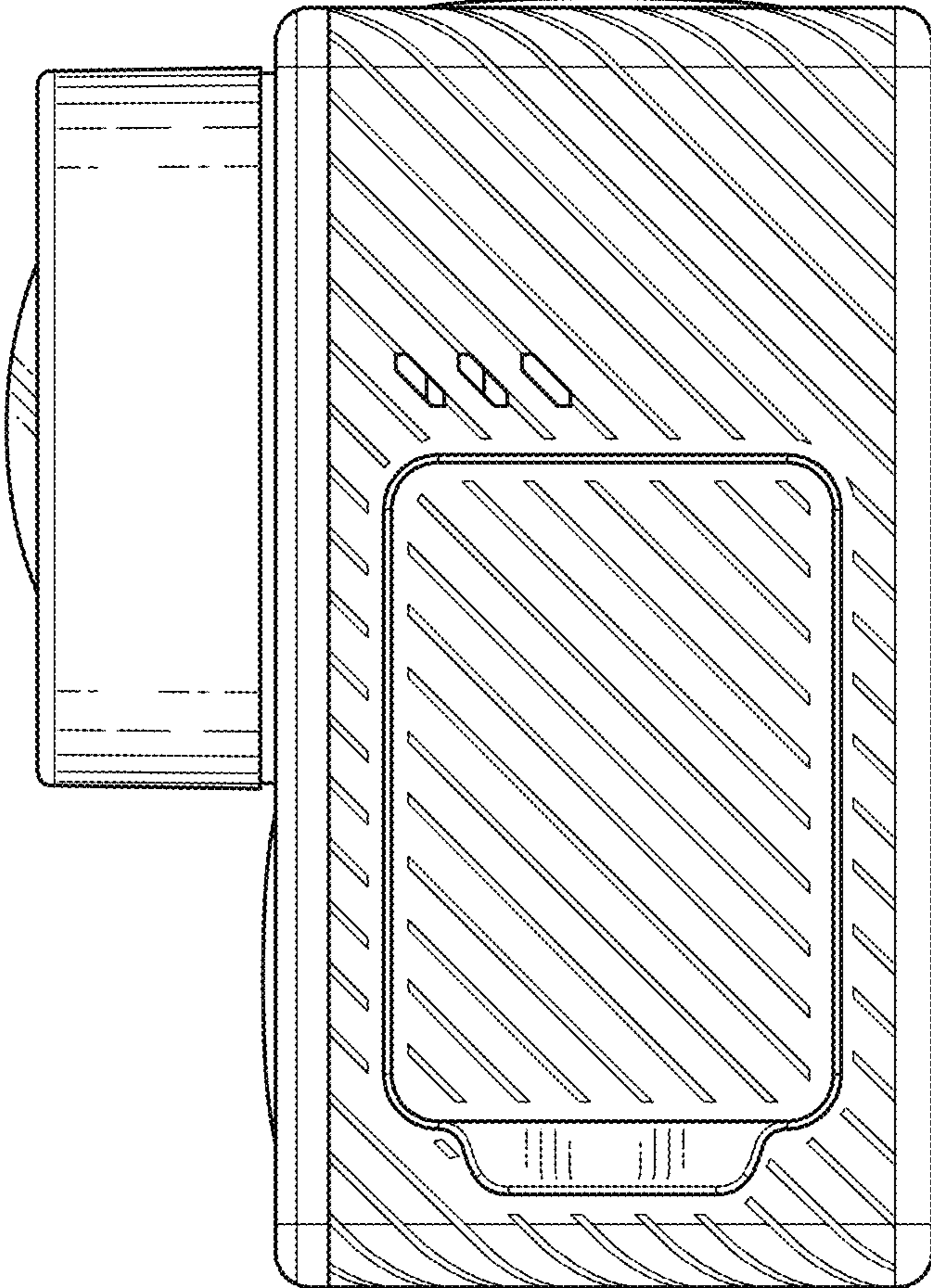


FIG. 7

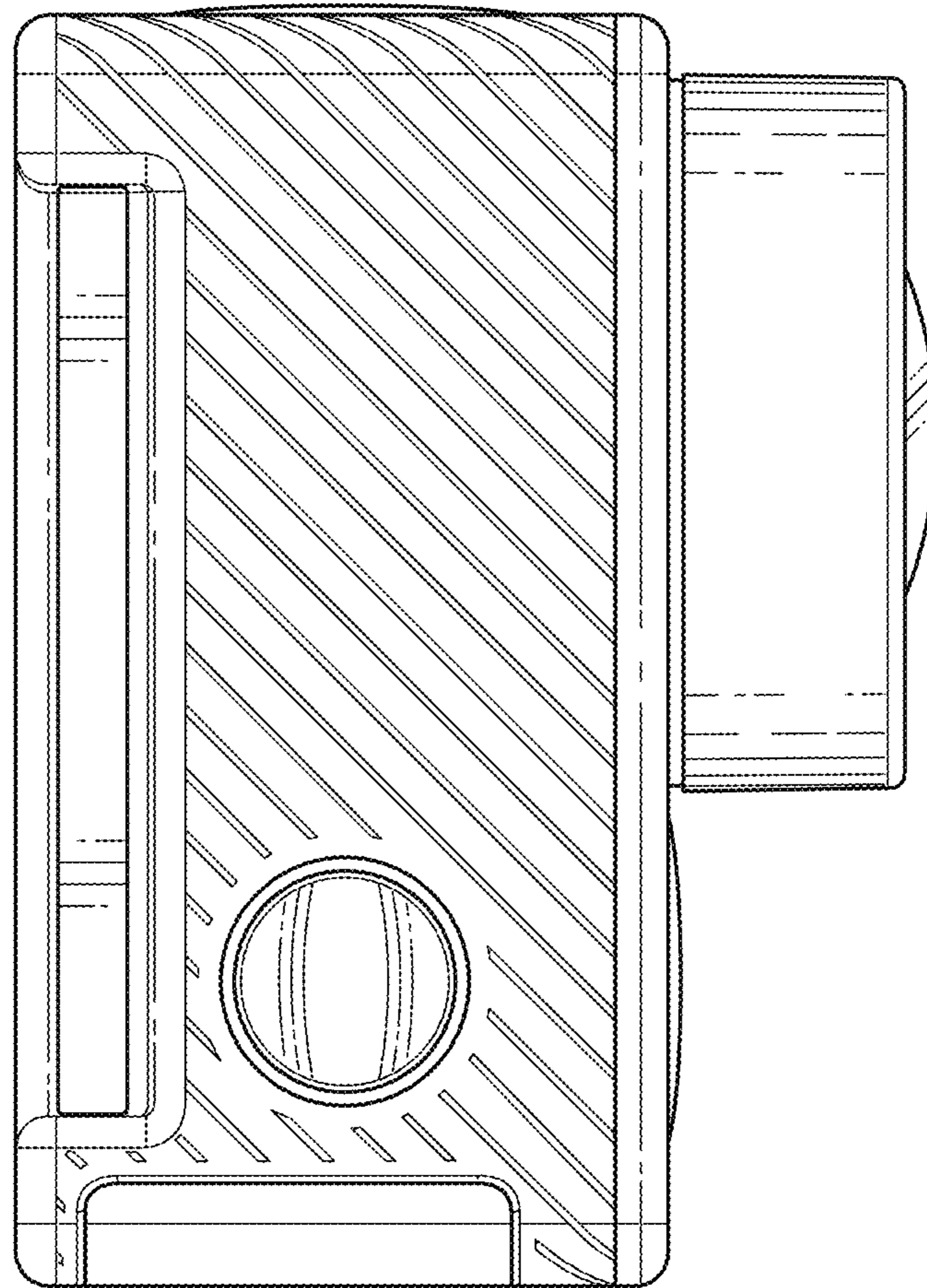


FIG. 8

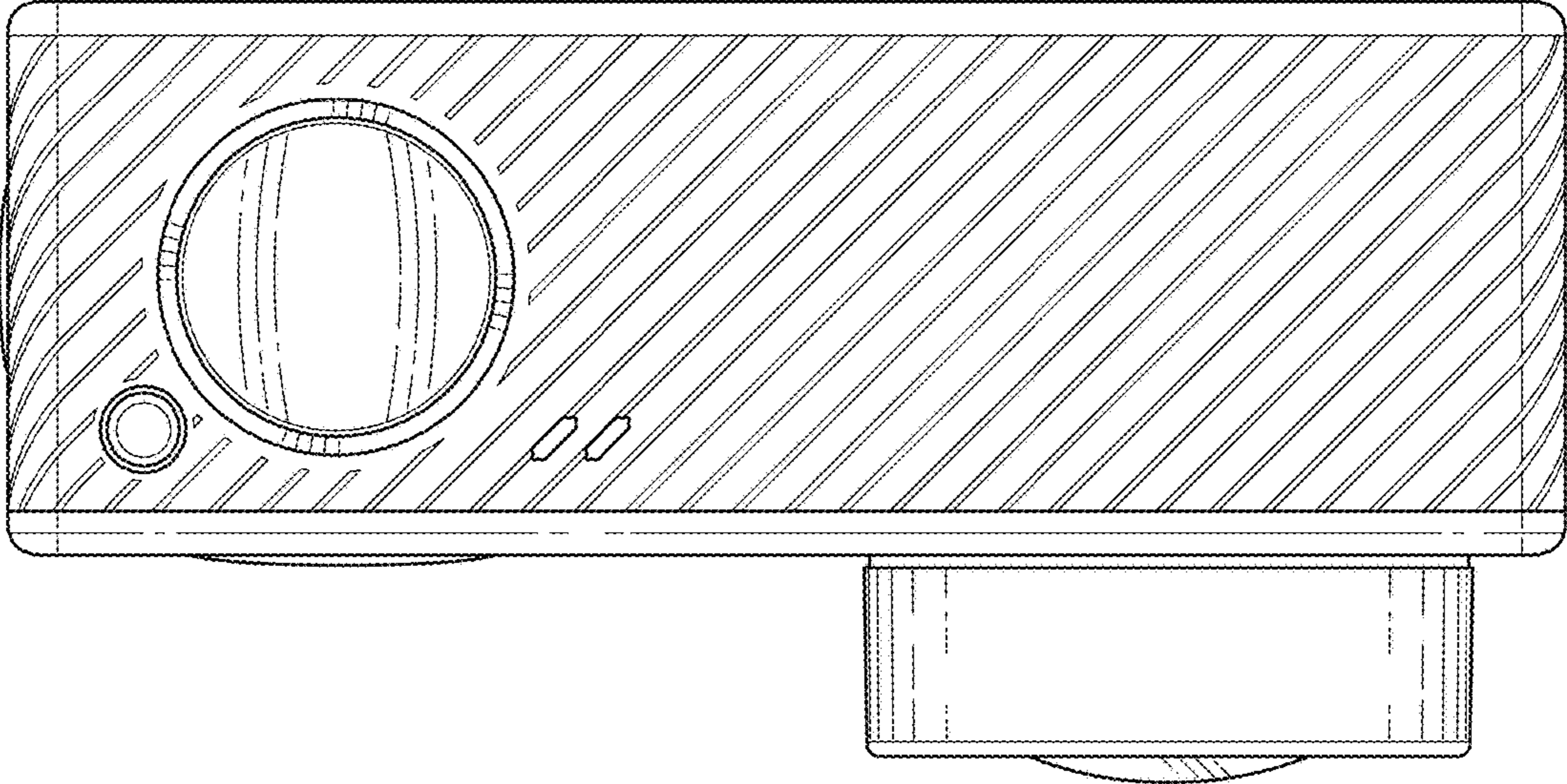


FIG. 9

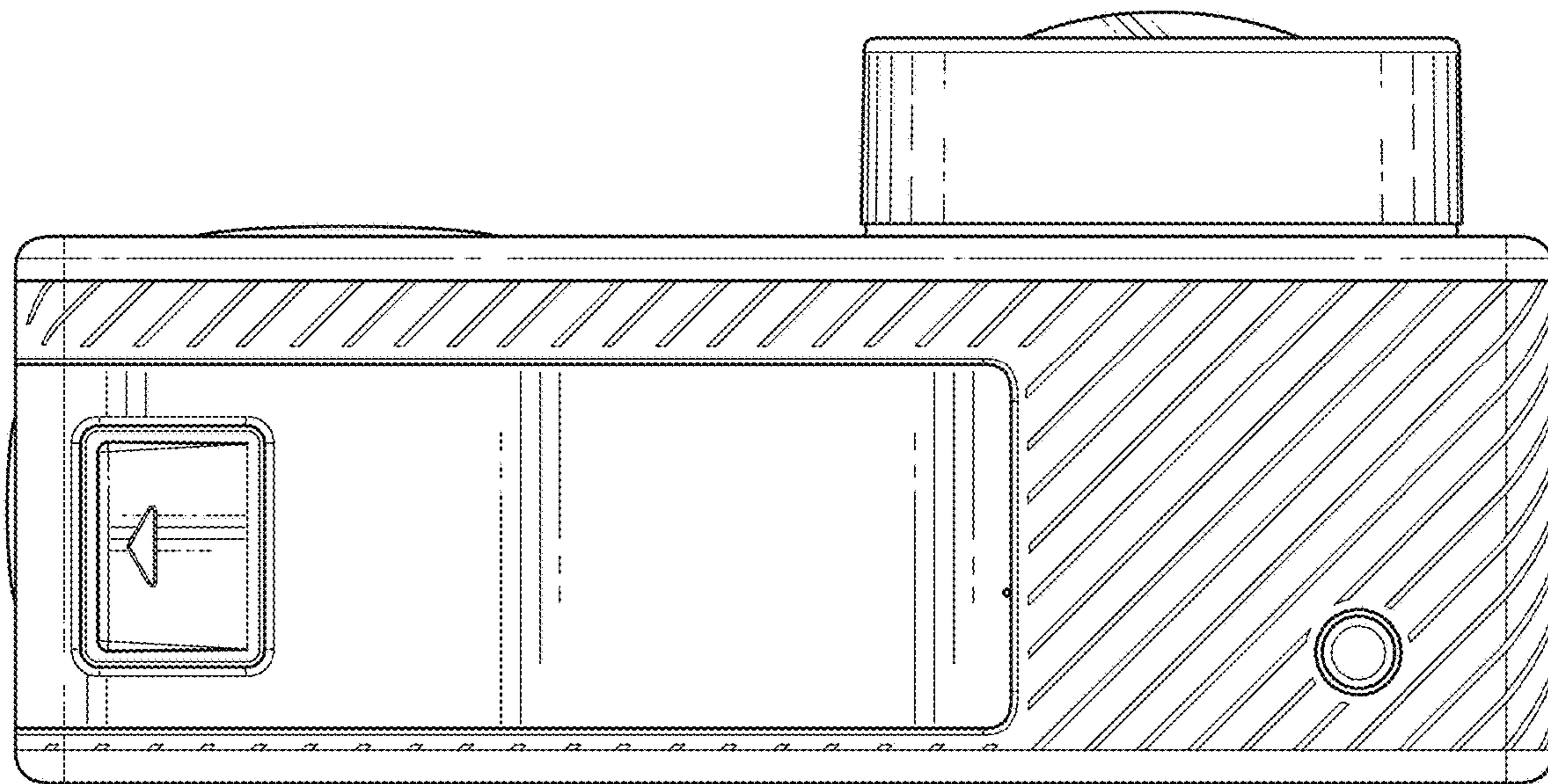


FIG. 10

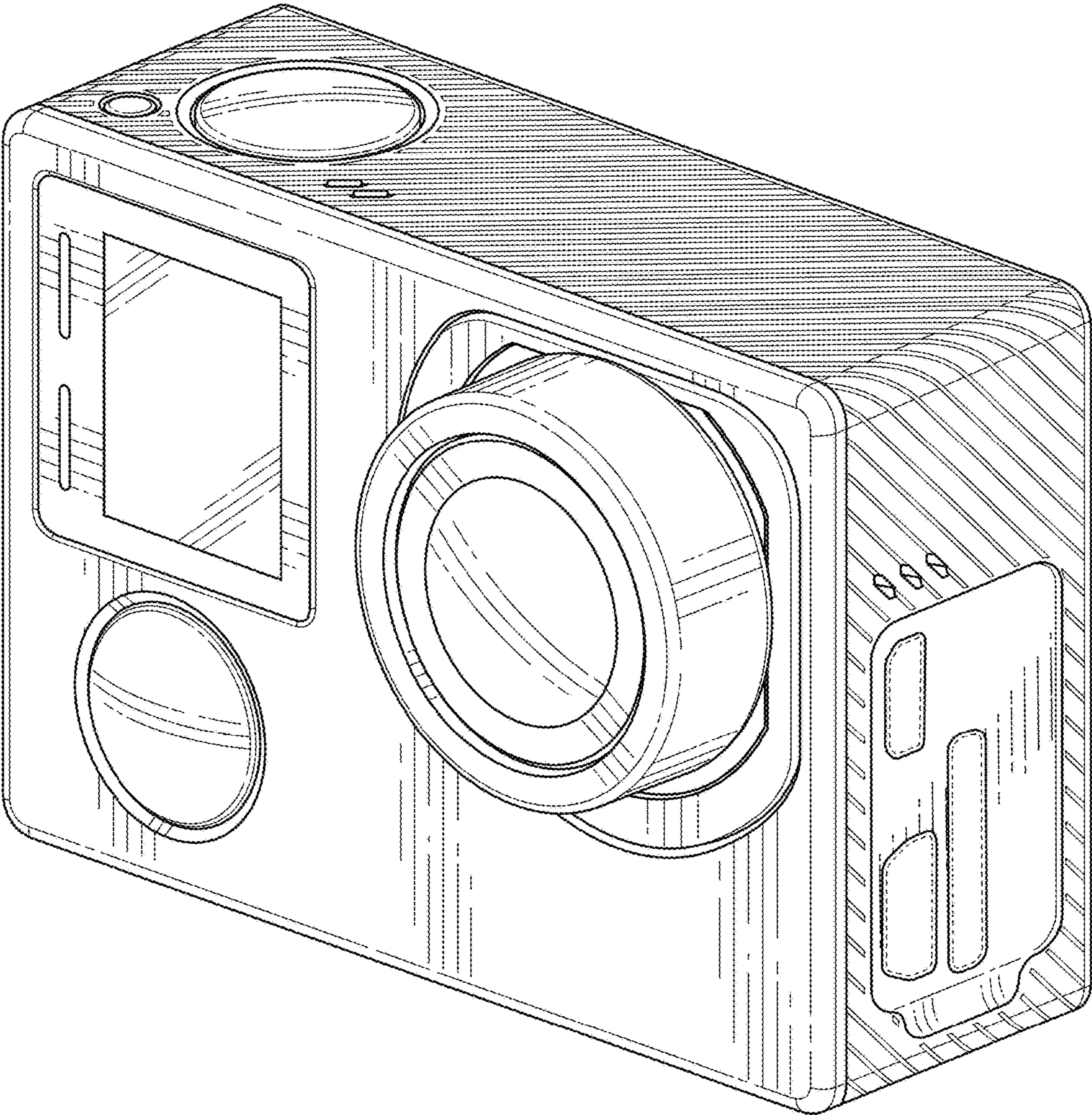


FIG. 11

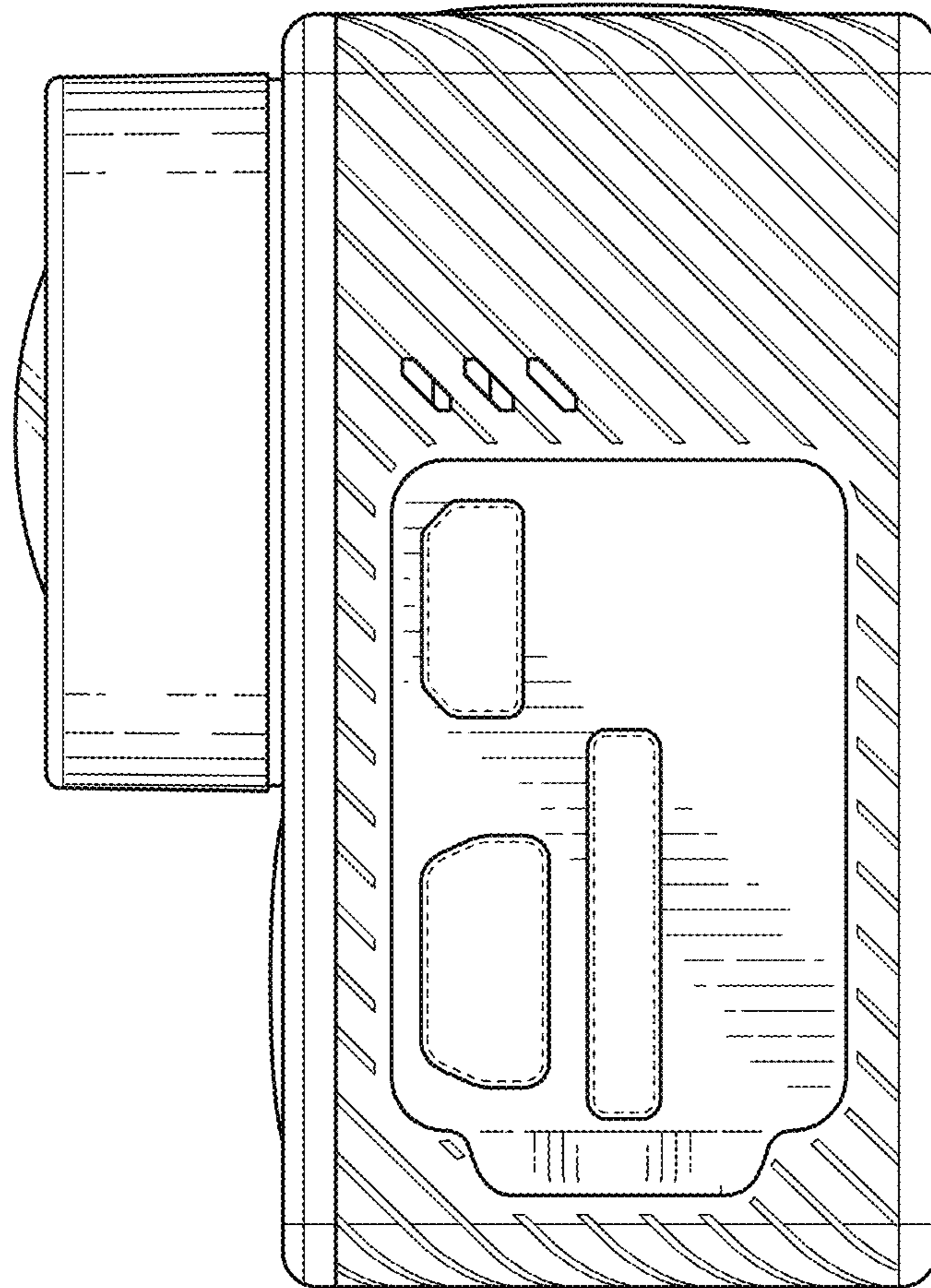


FIG. 12

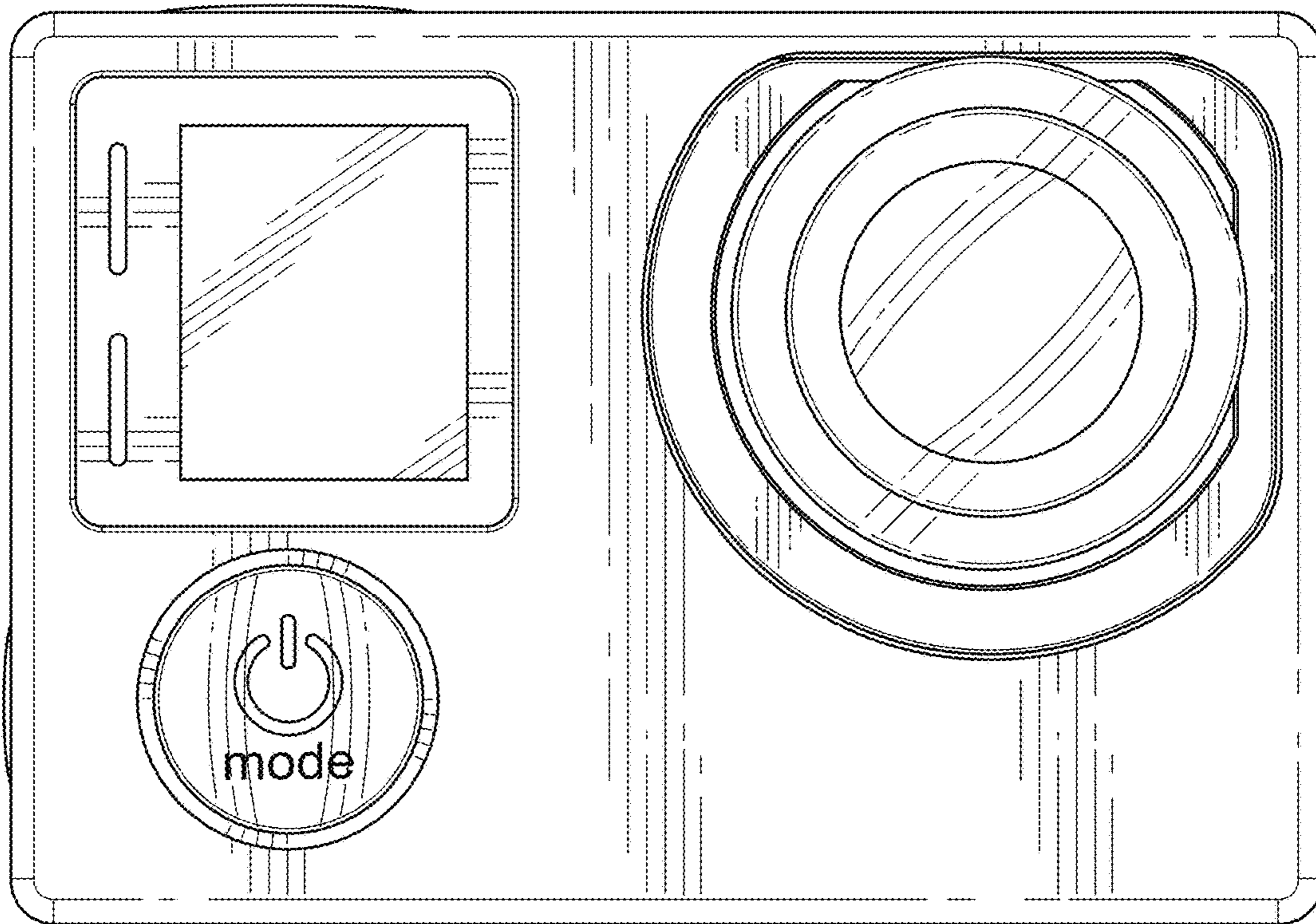


FIG. 13

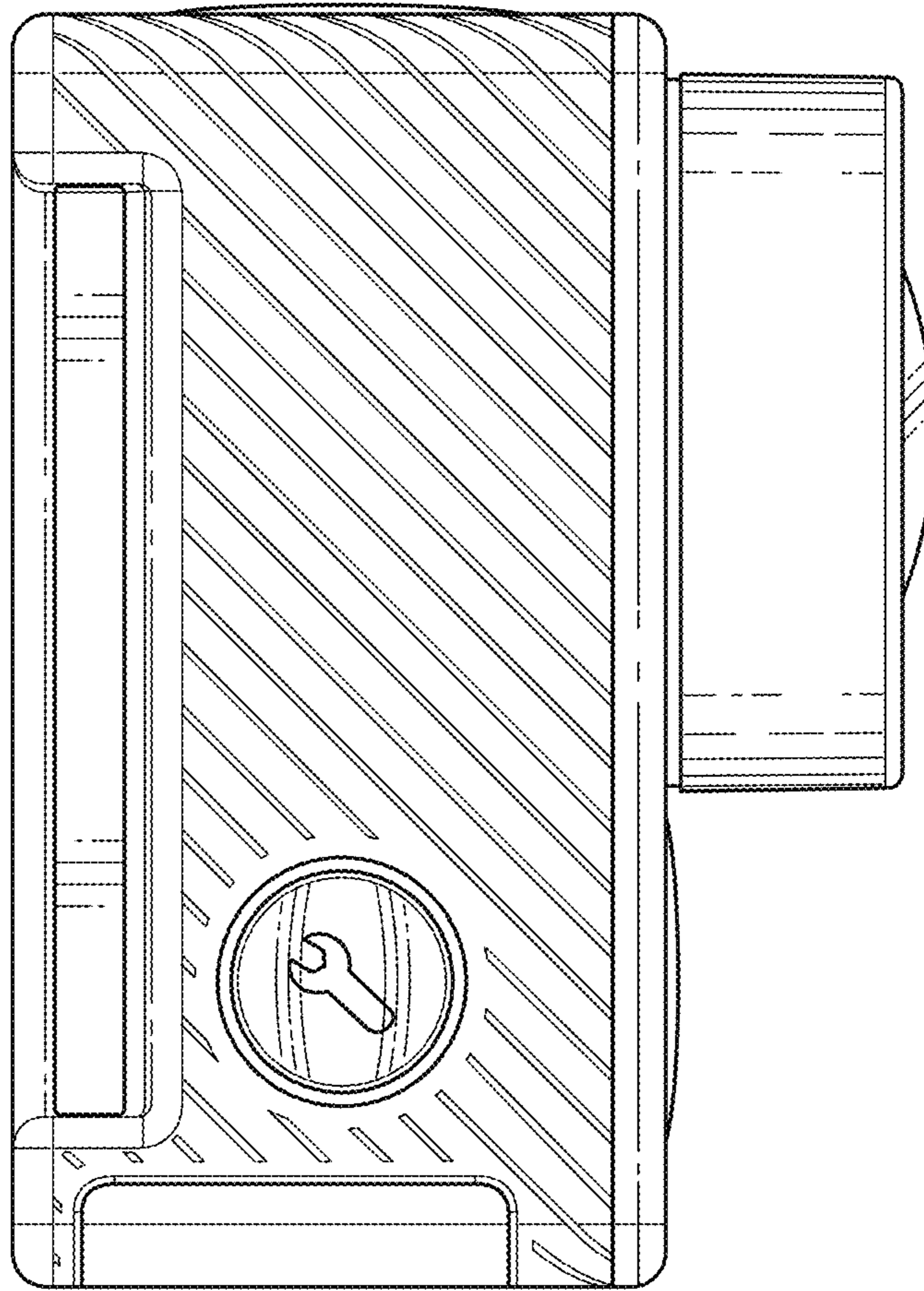


FIG. 14

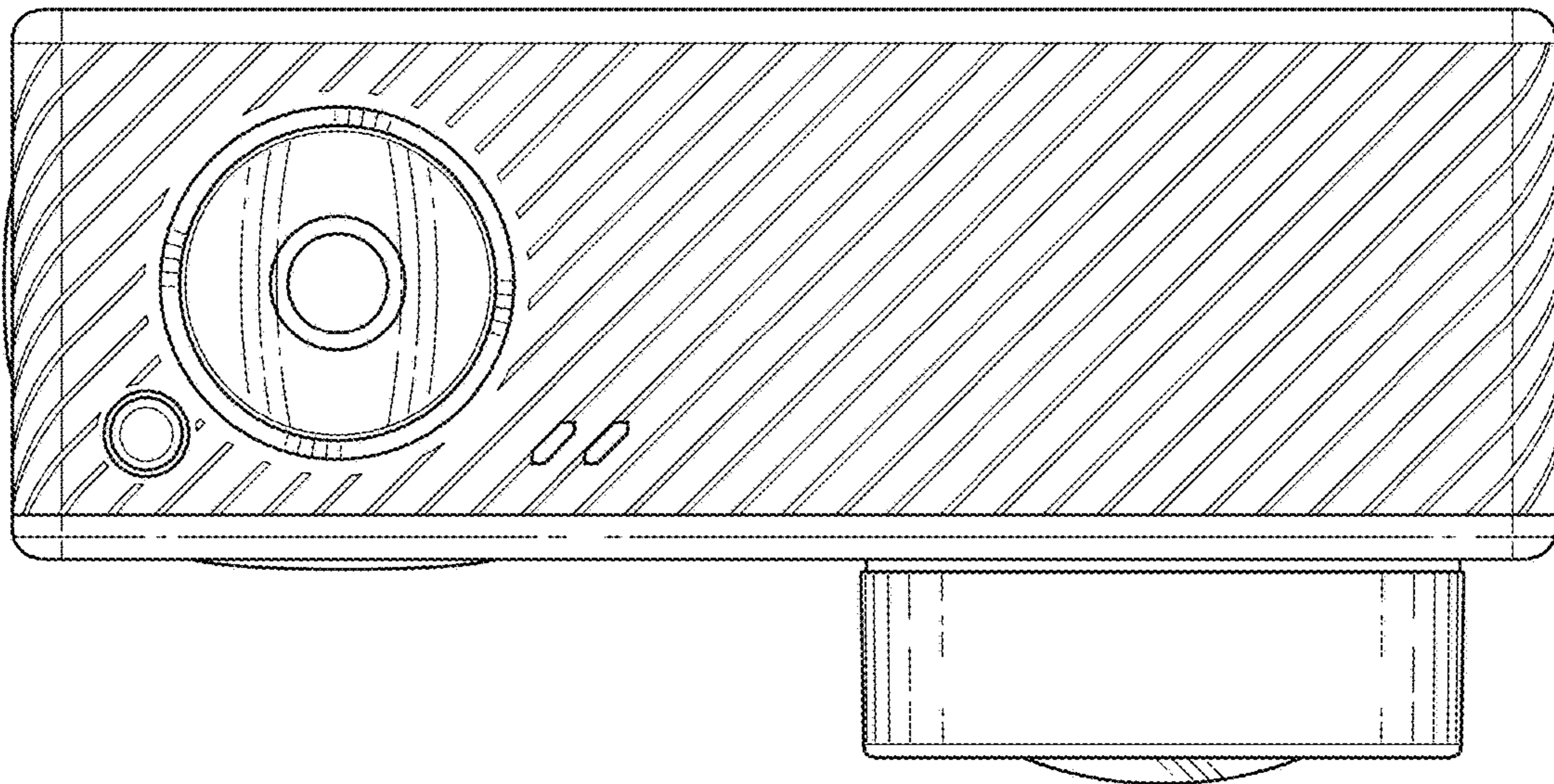


FIG. 15