



US00D775253S

(12) **United States Design Patent**  
**Kim et al.**

(10) **Patent No.:** **US D775,253 S**  
(45) **Date of Patent:** **\*\* Dec. 27, 2016**

(54) **DIGITAL CAMERA**

(71) Applicant: **SAMSUNG ELECTRONICS CO., LTD.**, Gyeonggi-Do (KR)

(72) Inventors: **Joo-Hyung Kim**, Seoul (KR); **Min Ki Ham**, Seoul (KR)

(73) Assignee: **SAMSUNG ELECTRONICS CO., LTD.**, Suwon-Si, Gyeonggi-Do (KR)

(\*\*) Term: **14 Years**

(21) Appl. No.: **29/471,449**

(22) Filed: **Oct. 31, 2013**

**Related U.S. Application Data**

(63) Continuation of application No. 29/423,341, filed on May 31, 2012, now Pat. No. Des. 695,802.

(51) **LOC (10) Cl.** ..... **16-01**

(52) **U.S. Cl.**  
USPC ..... **D16/202**

(58) **Field of Classification Search**

USPC ..... D16/200, 202, 204, 218; 348/373, 374, 348/375, 376; 358/909.1; 396/535-541  
CPC ..... G03B 15/00; G03B 15/03; G03B 15/05; G03B 15/06; G03B 17/02; G03B 17/04; H04N 5/2251; H04N 5/2252; H04N 5/2253; H04N 5/2254

See application file for complete search history.

(56) **References Cited**

**U.S. PATENT DOCUMENTS**

7,106,963 B2 \* 9/2006 Shibata ..... 396/535  
D552,646 S \* 10/2007 Bai ..... D16/202

D555,689 S \* 11/2007 Yoo et al. .... D16/202  
D556,229 S \* 11/2007 Bai ..... D16/202  
D596,214 S \* 7/2009 Kim et al. .... D16/202  
D631,496 S \* 1/2011 Tainaka ..... D16/202  
D640,720 S \* 6/2011 Yoshii et al. .... D16/202  
7,983,557 B2 \* 7/2011 Misawa et al. .... 396/541  
D646,314 S \* 10/2011 Nohara ..... D16/202  
D652,067 S \* 1/2012 Katsuraku et al. .... D16/243  
D695,802 S \* 12/2013 Kim et al. .... D16/200  
2004/0155966 A1 \* 8/2004 Jang et al. .... 348/207.1  
2012/0002069 A1 \* 1/2012 Takagi ..... 348/222.1

\* cited by examiner

*Primary Examiner* — Darlington Ly

(74) *Attorney, Agent, or Firm* — Ladas & Parry LLP

(57) **CLAIM**

We claim the ornamental design for a digital camera, as shown and described.

**DESCRIPTION**

FIG. 1 is a front perspective view of a digital camera showing our new design;  
FIG. 2 is a front view thereof;  
FIG. 3 is a rear view thereof;  
FIG. 4 is a left-side view thereof;  
FIG. 5 is a right-side view thereof;  
FIG. 6 is a top view thereof; and,  
FIG. 7 is a bottom view thereof.

The uniformly even broken lines shown in drawings illustrate portions of the digital camera that form no part of the claimed design.

The dense stipple shading represents the claimed surfaces of the design, and does not represent surface ornamentation.

**1 Claim, 6 Drawing Sheets**

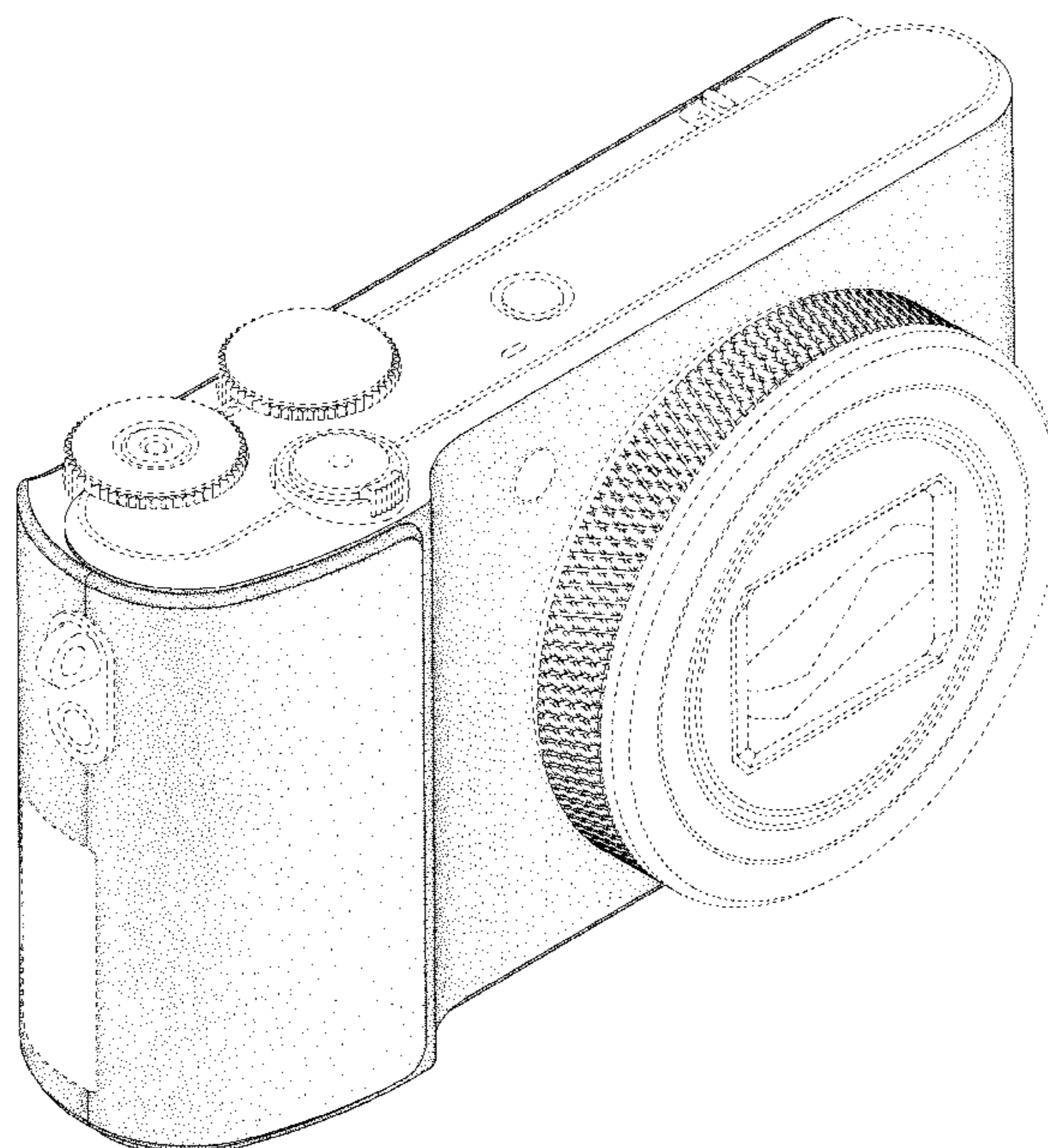


FIG. 1

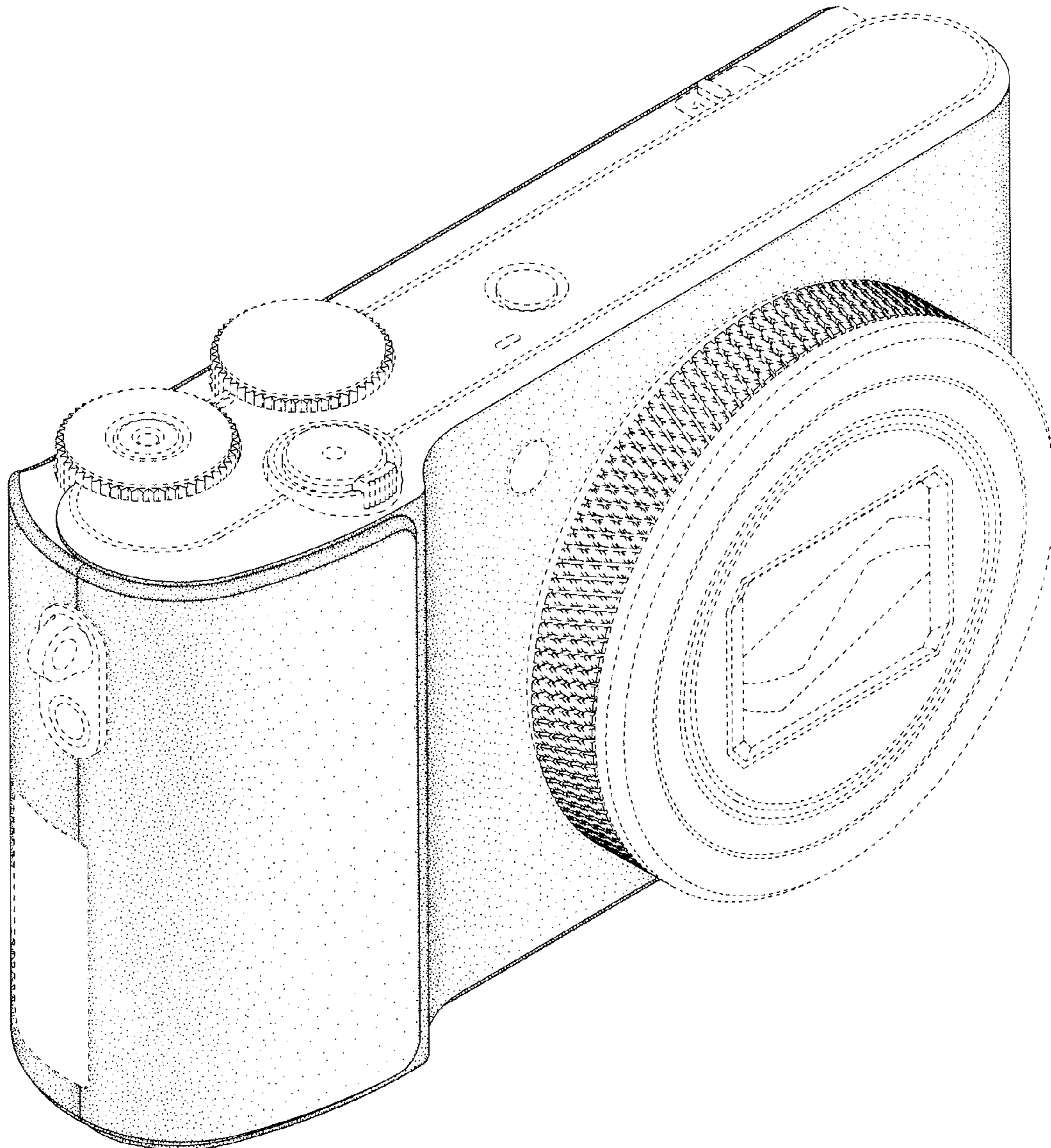


FIG. 2

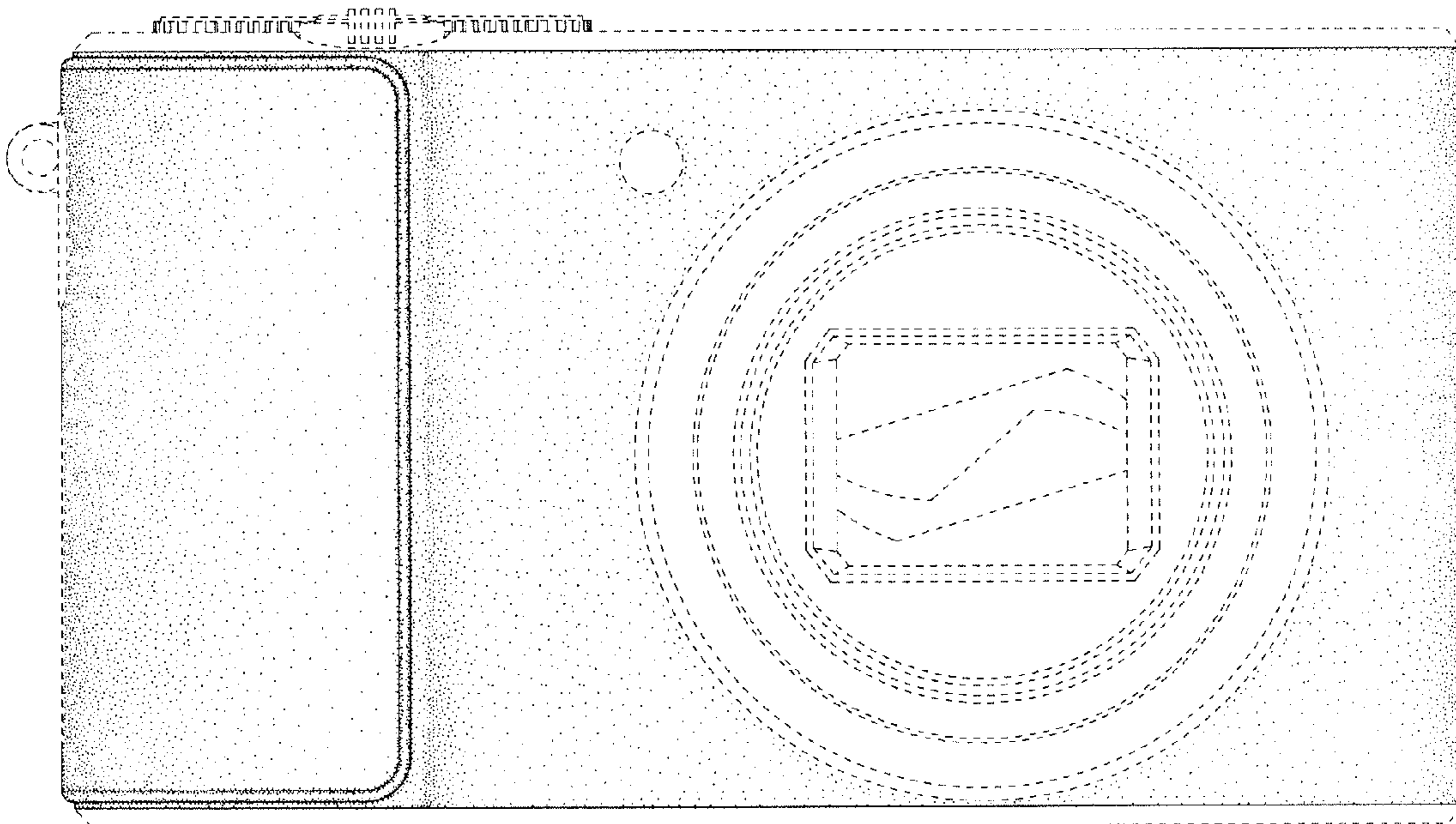


FIG. 3

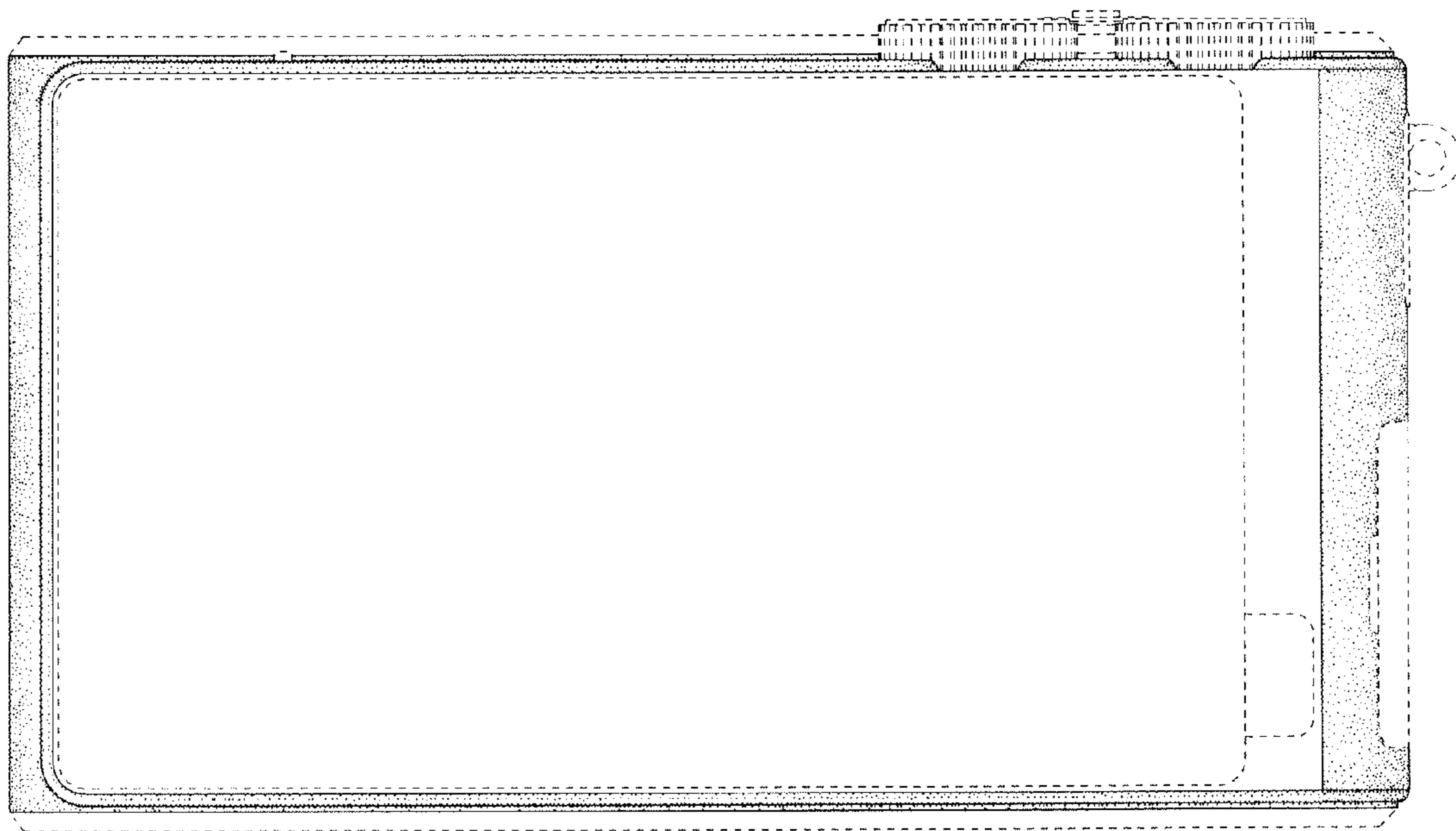


FIG. 4

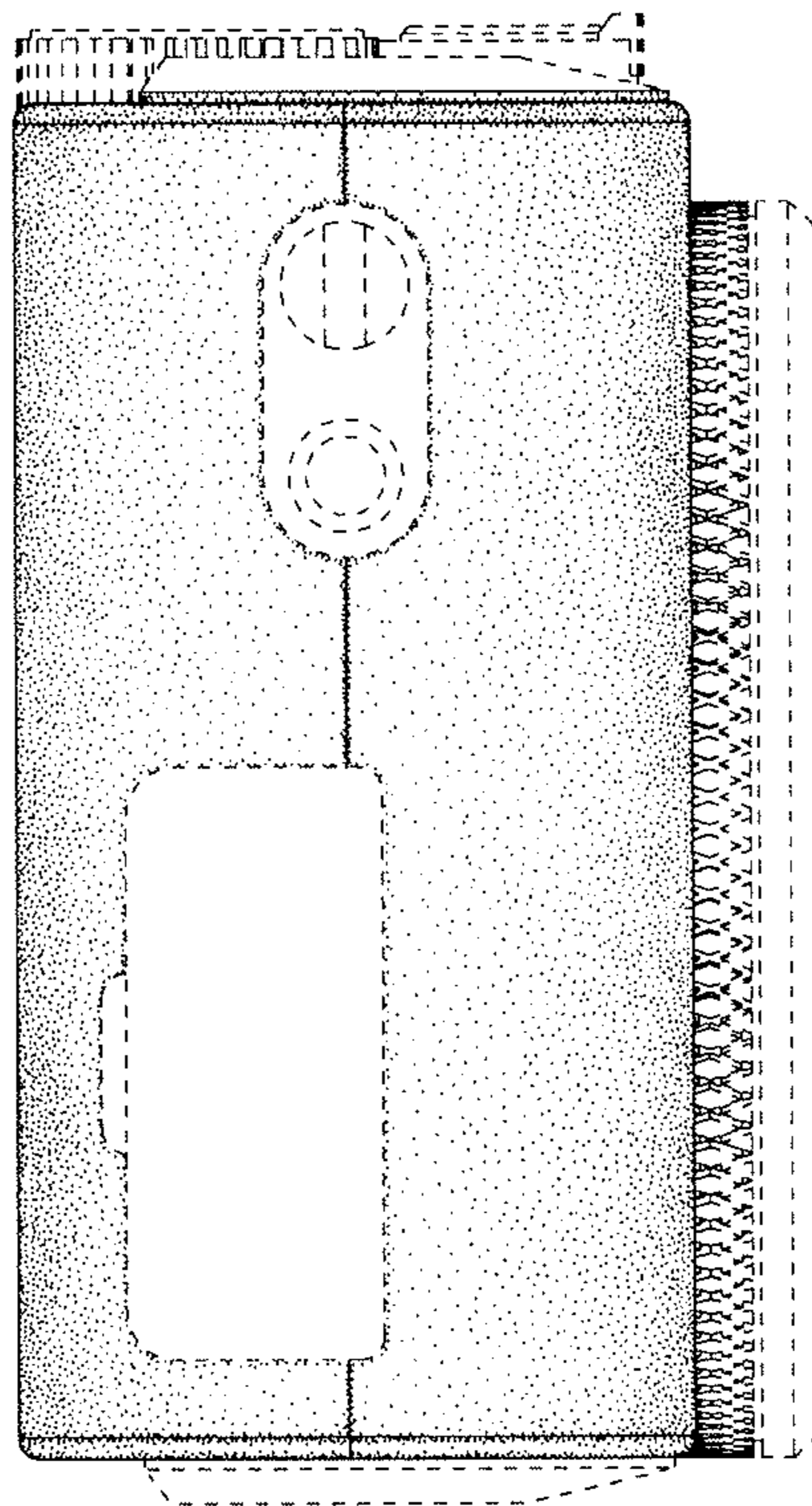


FIG. 5

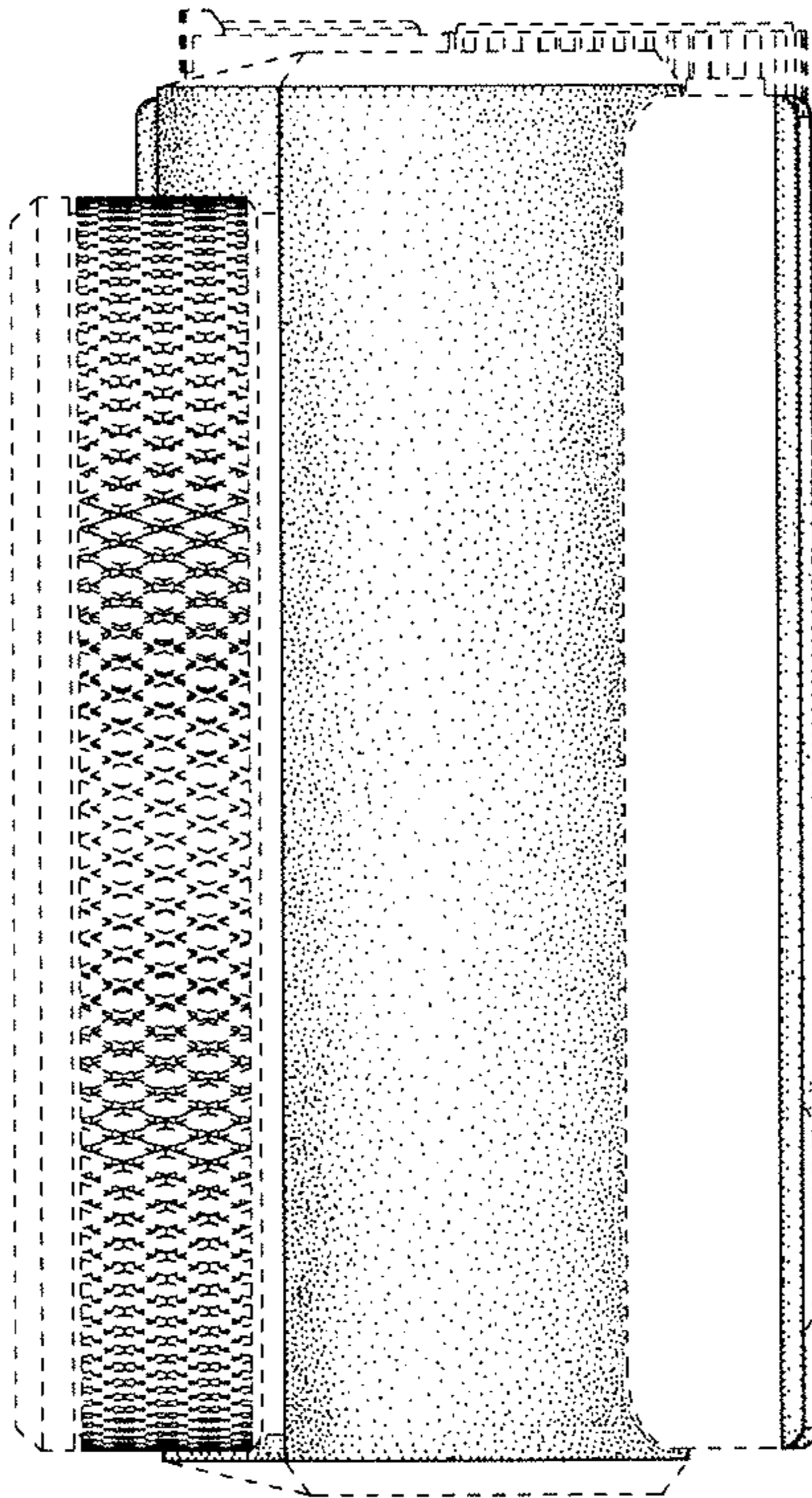


FIG. 6

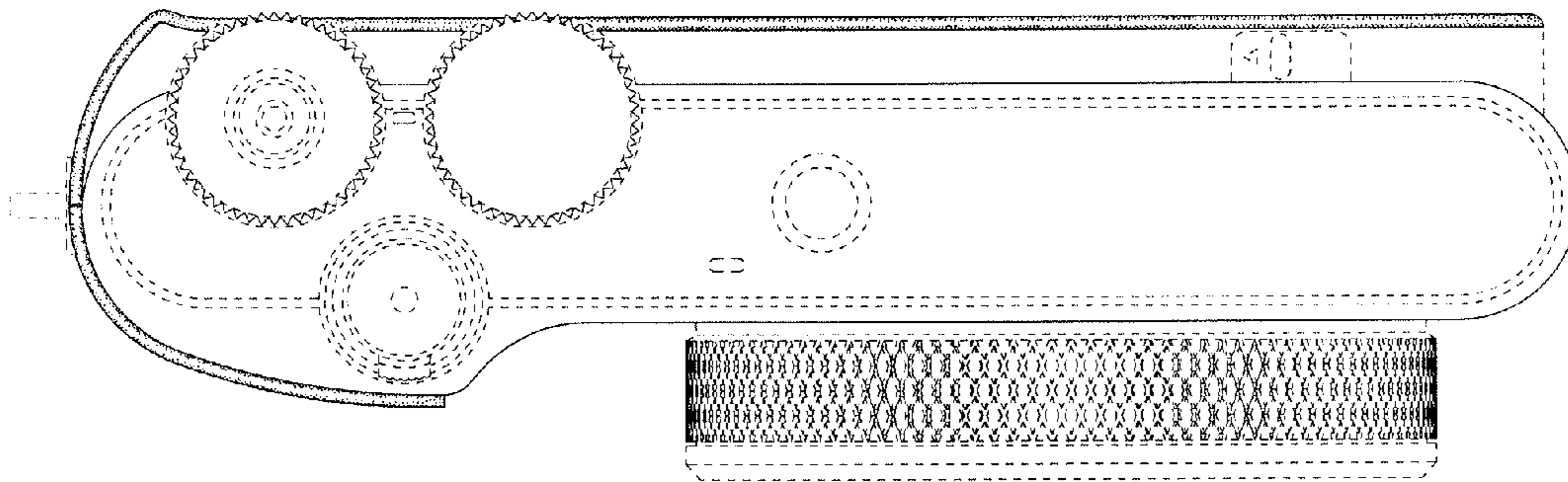


FIG. 7

