



US00D775252S

(12) **United States Design Patent** (10) **Patent No.:** **US D775,252 S**
Shentu (45) **Date of Patent:** **** Dec. 27, 2016**

(54) **MOTOR GEARBOX**
(71) Applicant: **ZHEJIANG LINIX MOTOR CO., LTD.**, Dongyang, Zhejiang Province (CN)
(72) Inventor: **Jun Shentu**, Donyang (CN)
(73) Assignee: **ZHEJIANG LINIX MOTOR CO., LTD.**, Dongyang, Zhejiang Province (CN)
(**) Term: **15 Years**

7,182,709 B2 * 2/2007 Christ F16H 1/28 475/331
D589,993 S * 4/2009 Cheng D15/148
D620,848 S * 8/2010 Haines D12/160
D638,454 S * 5/2011 Torii D15/143
D639,321 S * 6/2011 Torii D15/143
D673,196 S * 12/2012 von Hafen D15/148
D674,827 S * 1/2013 Andersson D15/148
D674,828 S * 1/2013 Andersson D15/148
D674,829 S * 1/2013 Andersson D15/148
D677,293 S * 3/2013 Andersson D15/148
D685,404 S * 7/2013 Andersson D15/148
D697,103 S * 1/2014 Sigmund D15/148
D704,756 S * 5/2014 Voelker D15/148
D710,918 S * 8/2014 Tegeltija D15/148

* cited by examiner

(21) Appl. No.: **29/532,264**
(22) Filed: **Jul. 3, 2015**
(51) **LOC (10) Cl.** **15-09**
(52) **U.S. Cl.**
USPC **D15/149**
(58) **Field of Classification Search**
USPC D15/143, 148, 149, 199
See application file for complete search history.

Primary Examiner — Patricia Palasik
(74) *Attorney, Agent, or Firm* — Jiwen Chen

(57) **CLAIM**

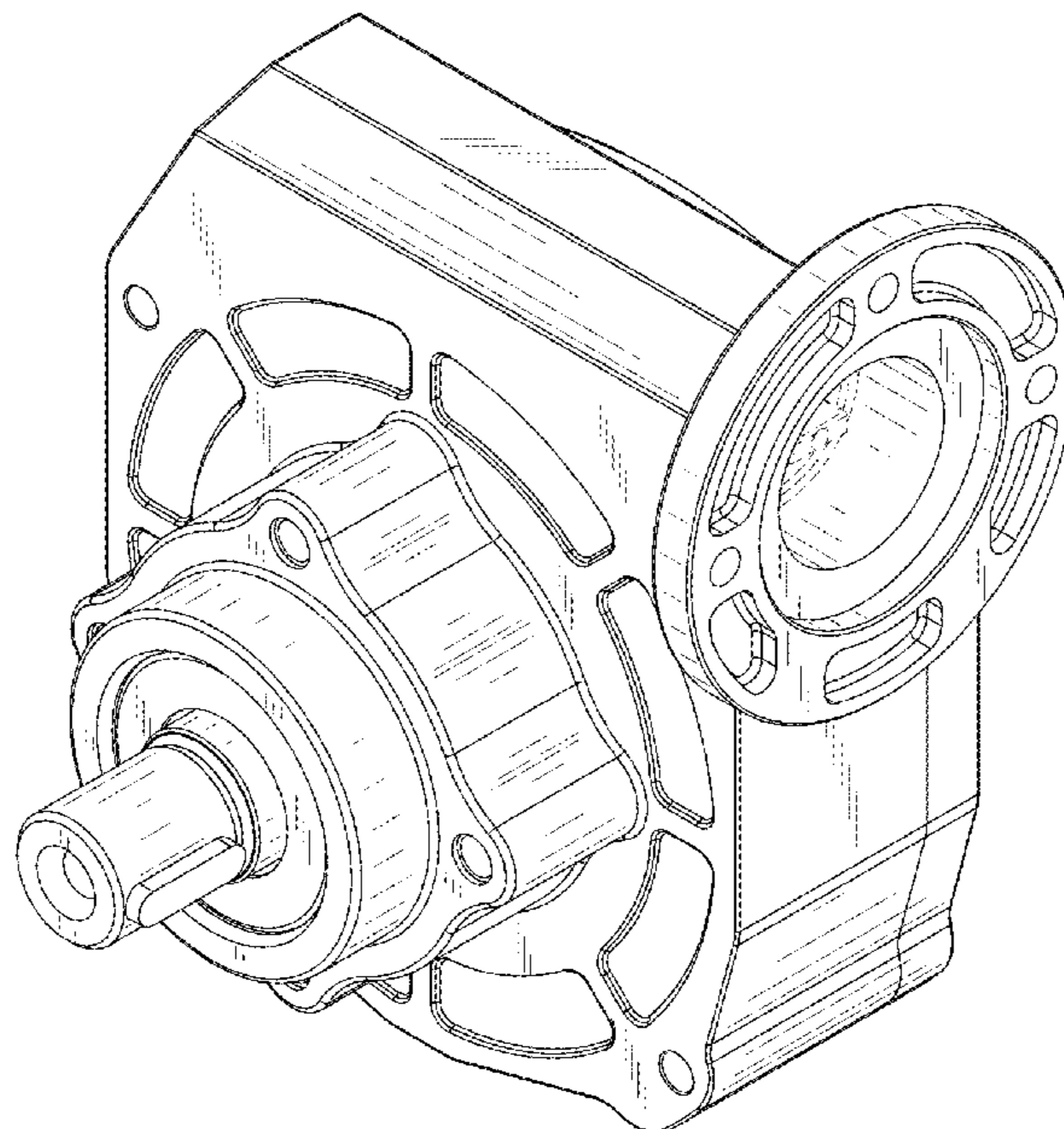
The ornamental design for a motor gearbox, as shown and described.

DESCRIPTION

FIG. 1 is a perspective view of the motor gearbox showing the design;
FIG. 2 is a front elevational view thereof;
FIG. 3 is a rear elevational view thereof;
FIG. 4 is a left side view thereof;
FIG. 5 is a right side view thereof;
FIG. 6 is a top plan view thereof; and,
FIG. 7 is a bottom plan view thereof.
The broken lines shown in FIGS. 1 and 5 depict unclaimed environmental subject matter.

(56) **References Cited**
U.S. PATENT DOCUMENTS
D356,094 S * 3/1995 Curtis D15/148
D368,919 S * 4/1996 Lannoch D15/148
5,662,545 A * 9/1997 Zimmerman B05B 3/0422 29/893.1
D410,659 S * 6/1999 Lannoch D15/148
D420,689 S * 2/2000 Lannoch D15/148
D431,572 S * 10/2000 Antony D15/5
D447,489 S * 9/2001 Antony D15/5
D479,543 S * 9/2003 Lannoch D15/148
D479,725 S * 9/2003 Lannoch D15/148

1 Claim, 7 Drawing Sheets



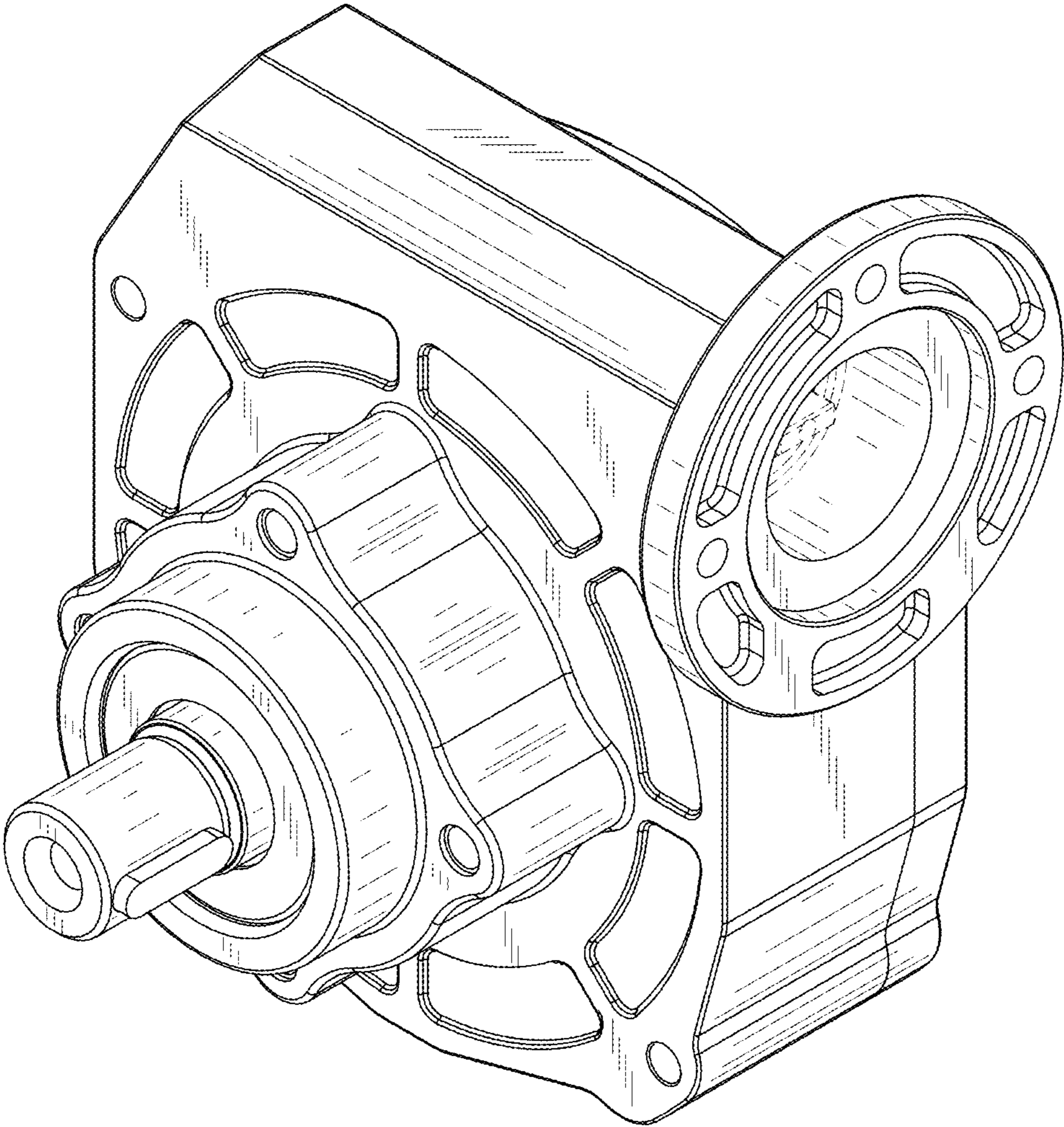


FIG. 1

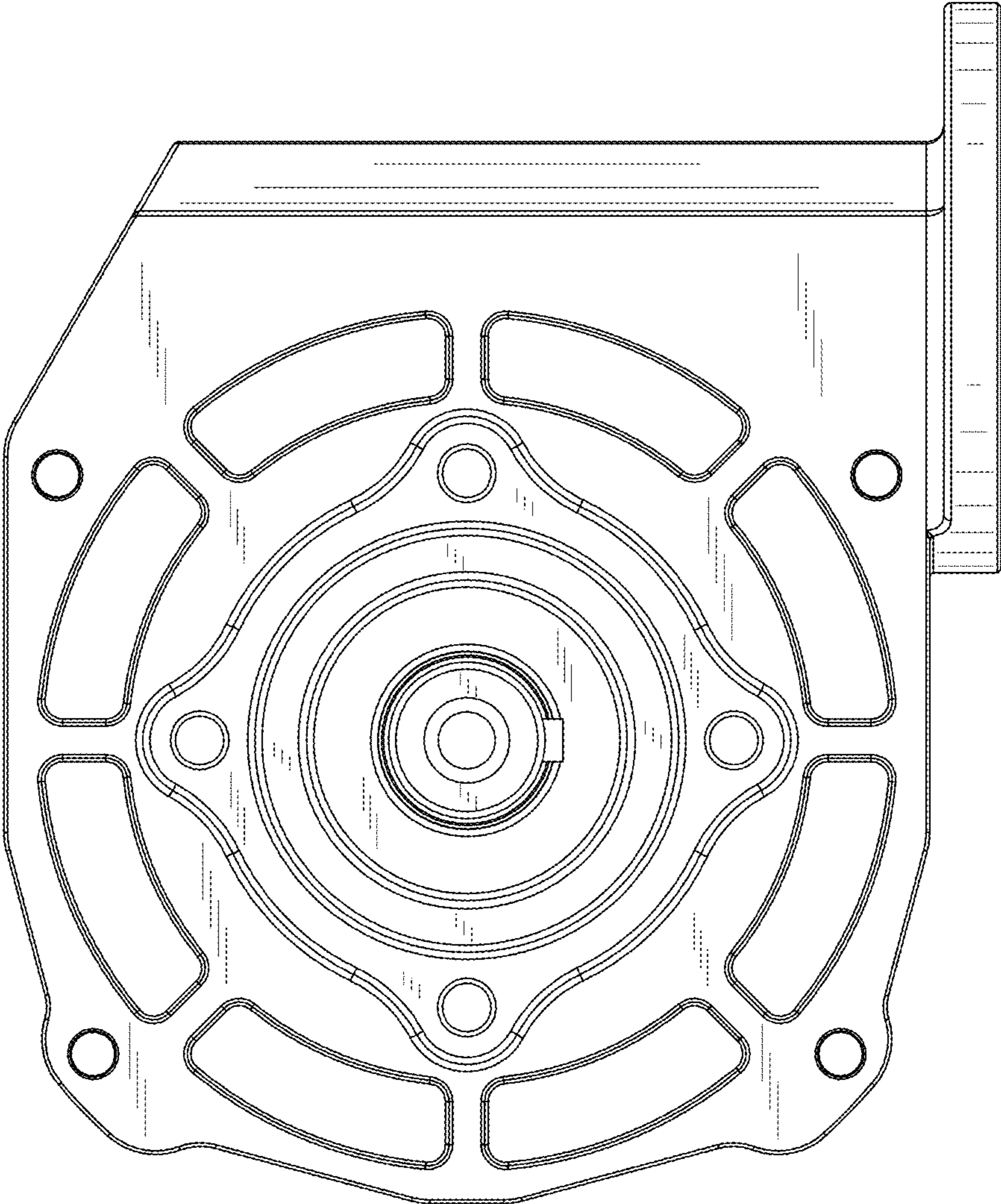


FIG. 2

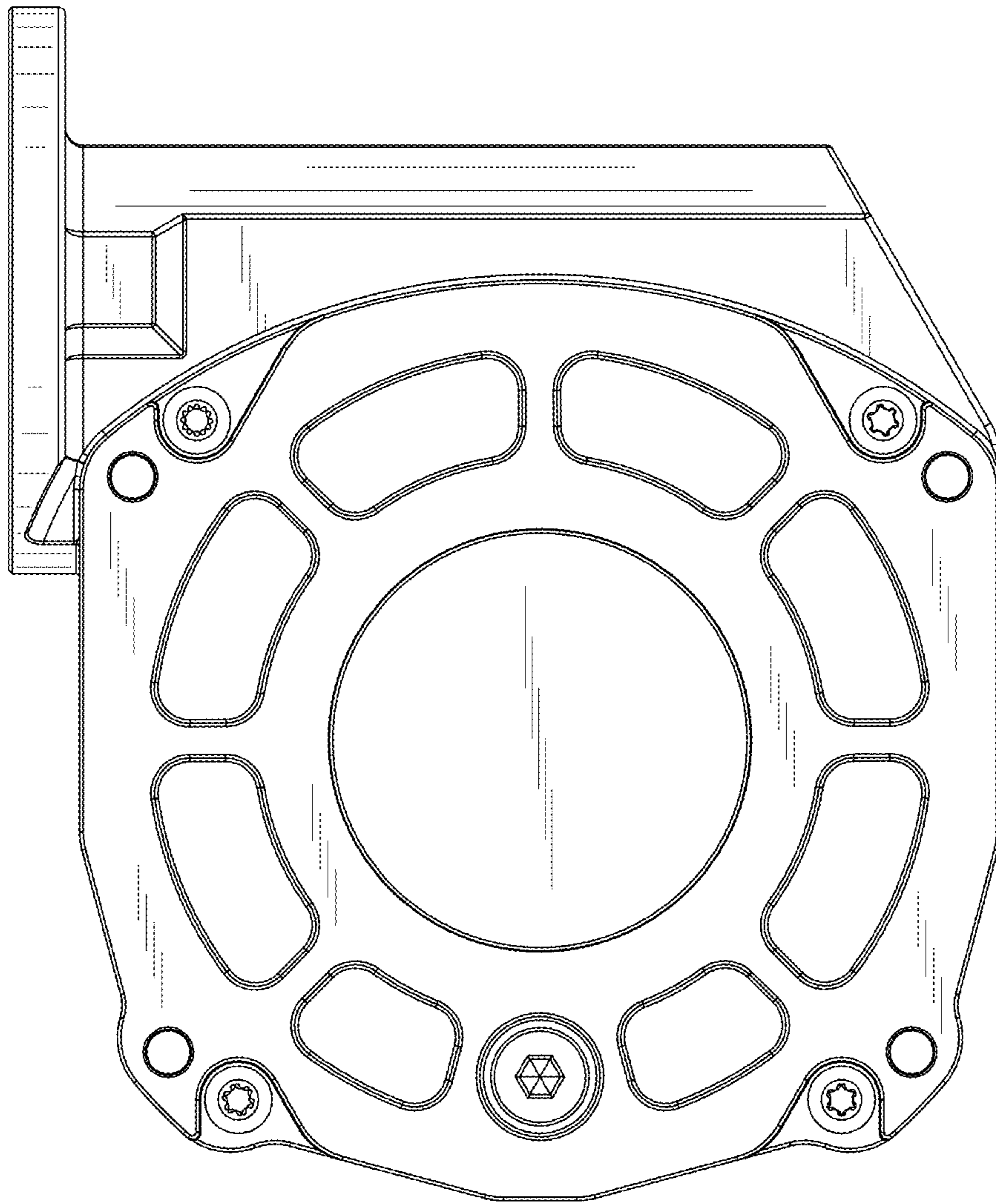


FIG. 3

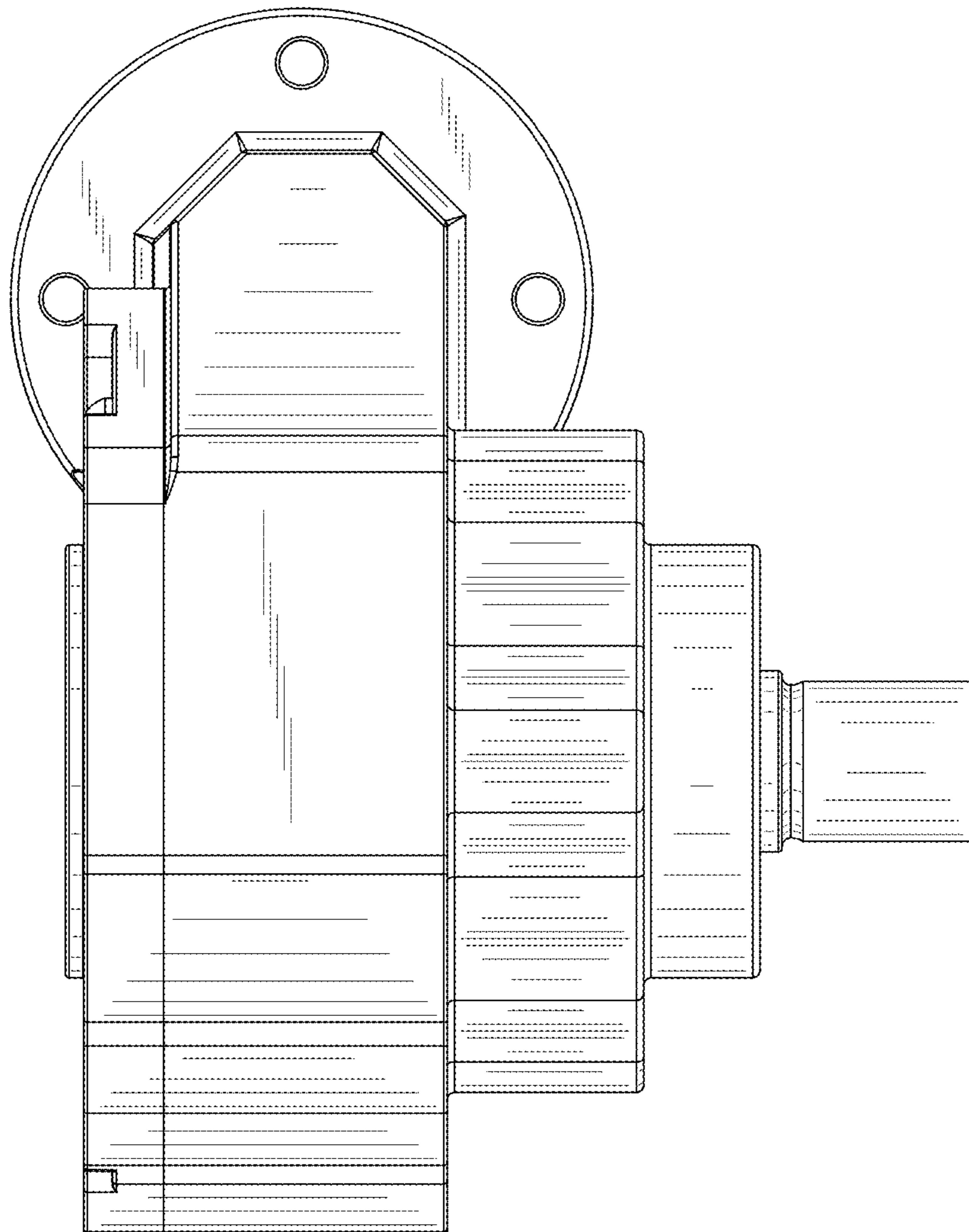


FIG. 4

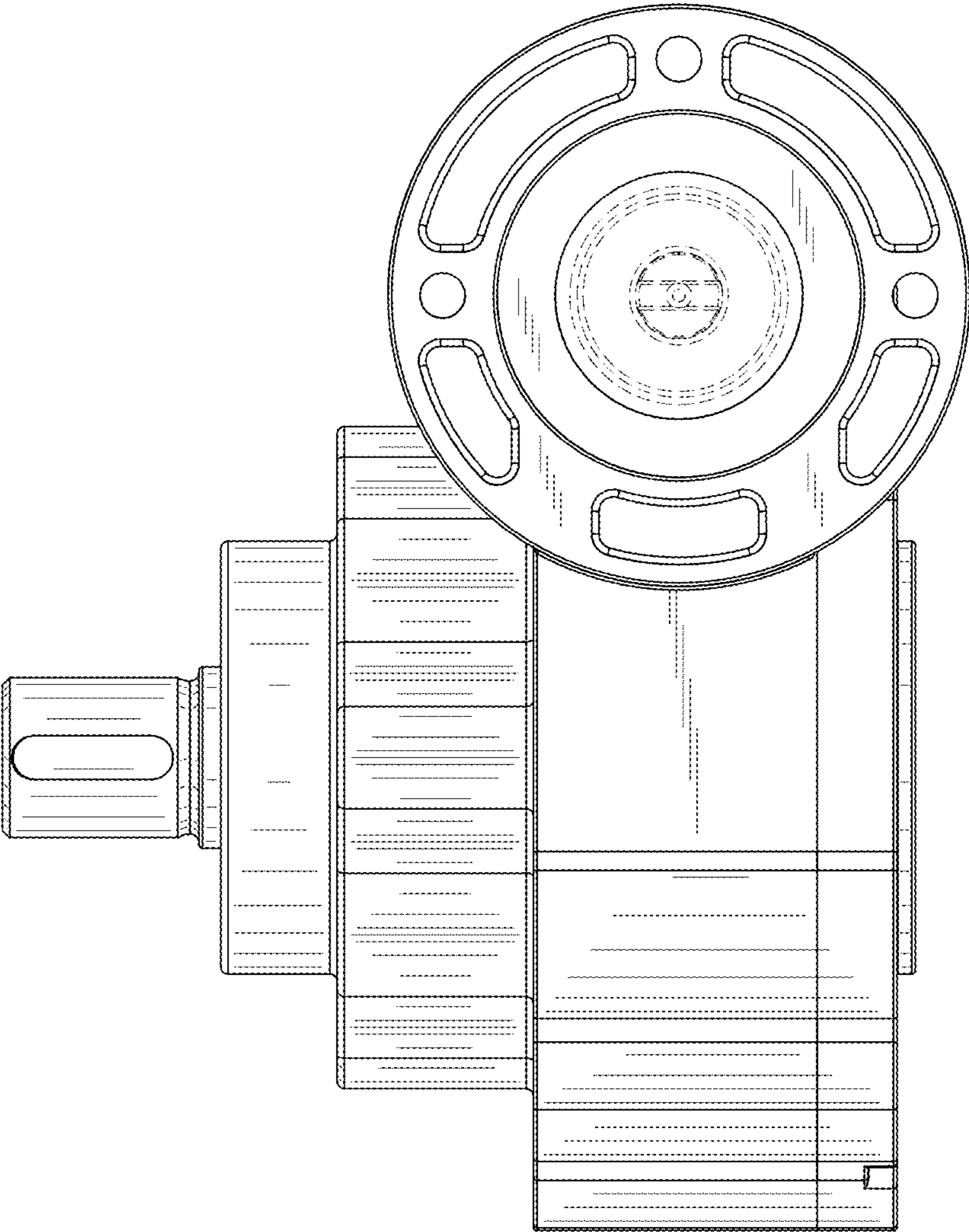


FIG. 5

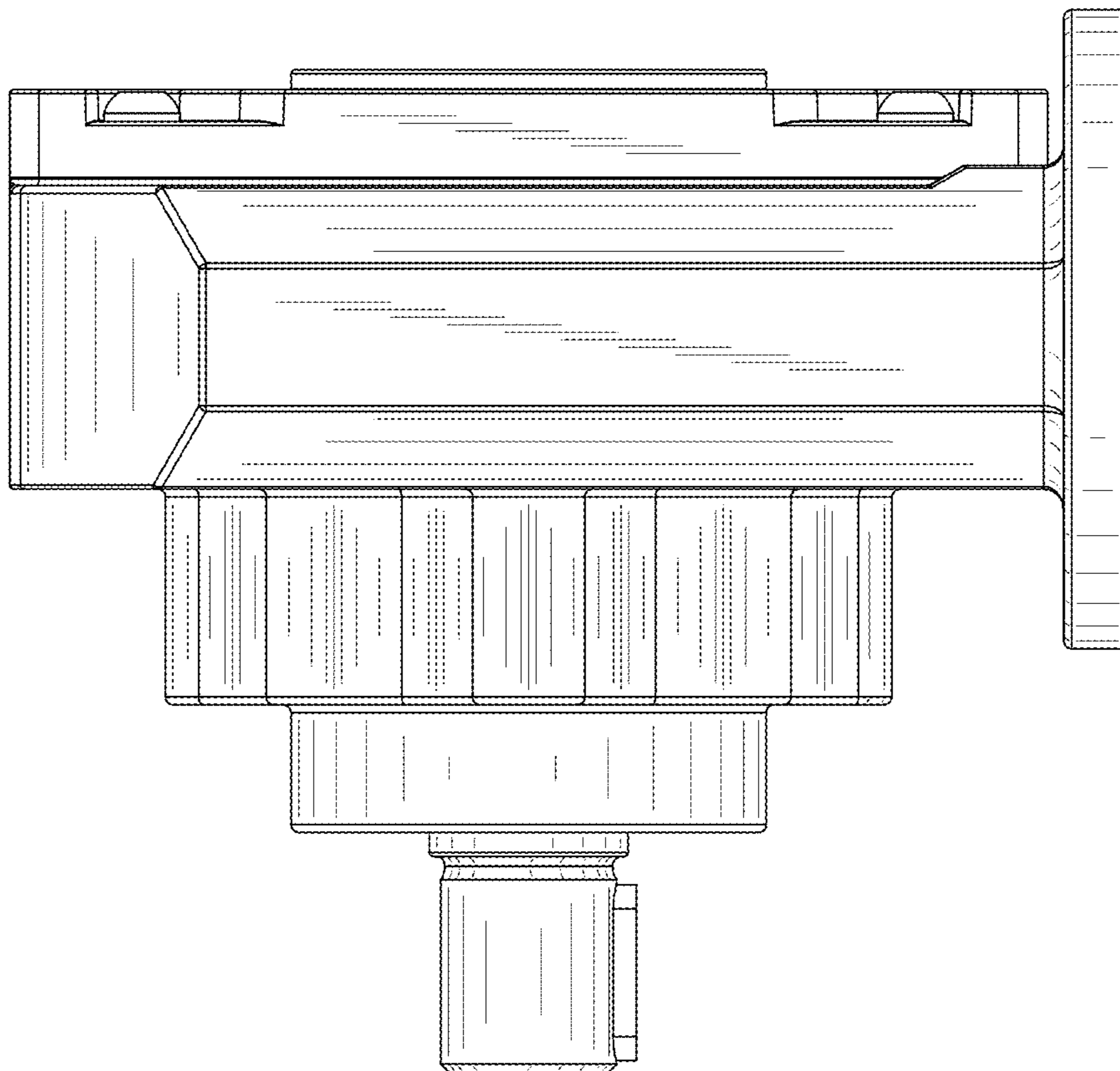


FIG. 6

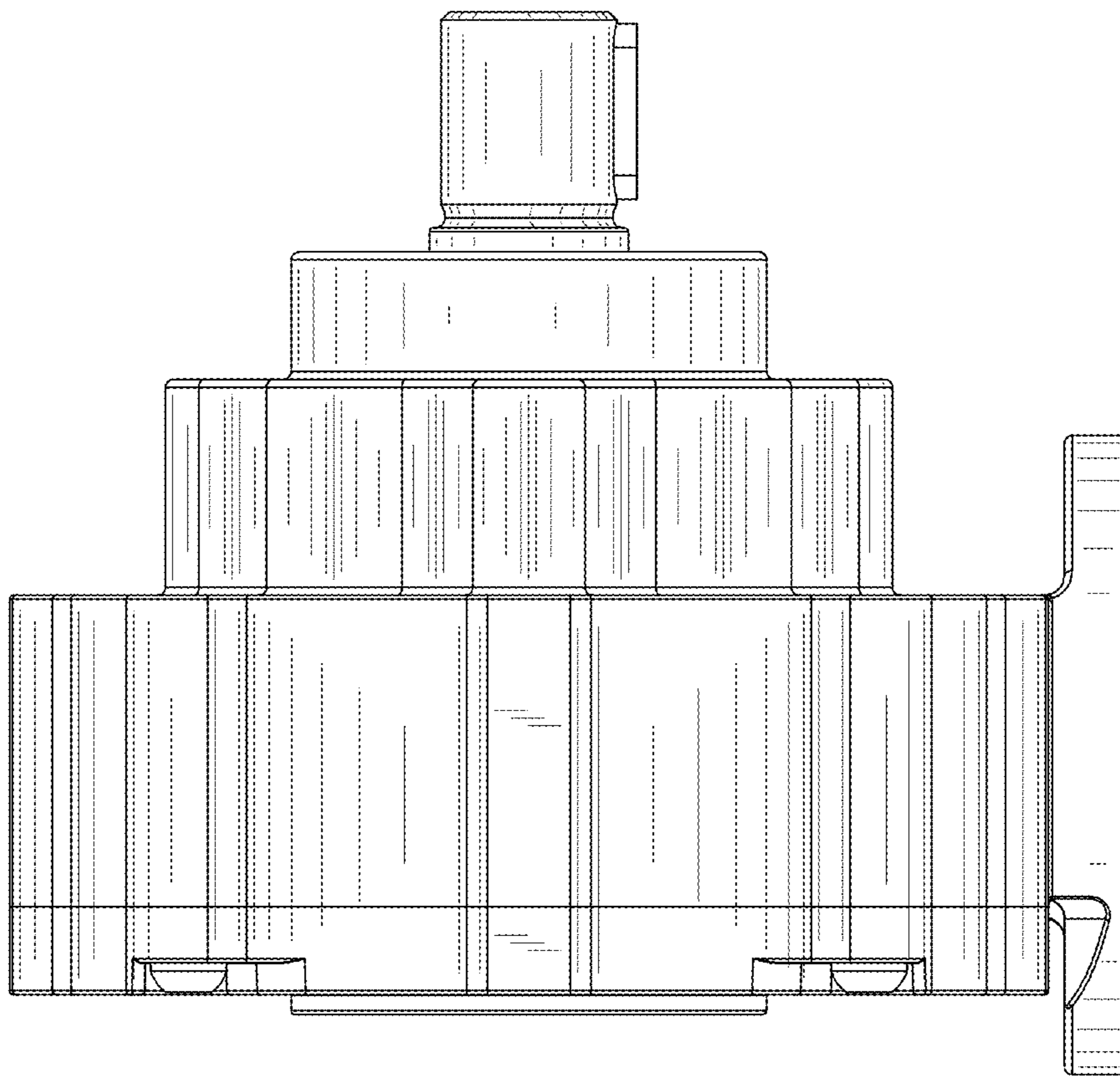


FIG. 7