



US00D775251S

(12) **United States Design Patent**  
**Nguyen**

(10) **Patent No.:** **US D775,251 S**

(45) **Date of Patent:** **\*\* Dec. 27, 2016**

(54) **GEARBOX HOUSING**

D479,725 S \* 9/2003 Lannoch ..... D15/148  
D487,101 S \* 2/2004 Taoka ..... D15/149  
D564,552 S \* 3/2008 Chang ..... D15/148

(Continued)

(71) Applicant: **Baldor Electric Company**, Fort Smith,  
AK (US)

(72) Inventor: **Chuong Nguyen**, Simpsonville, SC  
(US)

(73) Assignee: **Baldor Electric Company**, Fort Smith,  
AK (US)

(\*\*) Term: **14 Years**

(21) Appl. No.: **29/500,903**

(22) Filed: **Aug. 29, 2014**

(51) **LOC (10) Cl.** ..... **15-99**

(52) **U.S. Cl.**  
USPC ..... **D15/148**

(58) **Field of Classification Search**

USPC ..... D15/148, 149, 5, 150; D12/122-127,  
D12/180; 192/223.2, 38; 475/331; 92/71;  
74/640; D25/133; 52/297, 298  
CPC ..... F16D 41/105; F16D 41/061-41/064;  
F16D 41/067; F16D 41/07; F16D 41/066;  
F16H 1/28; F16H 1/46; F16H  
57/029; F16H 57/033; F16H  
57/0482; F16H 57/082; F16H  
49/001; F16H 57/025; E02D 27/42; E02D  
27/12

See application file for complete search history.

(56) **References Cited**

**U.S. PATENT DOCUMENTS**

1,906,634 A \* 5/1933 Leake ..... E04H 12/2261  
52/298  
3,630,474 A \* 12/1971 Minor ..... F21V 21/10  
D25/133  
D273,712 S \* 5/1984 Ahlqvist ..... D25/133

**OTHER PUBLICATIONS**

Co-Pending U.S. Appl. No. 14/333,667, filed Jul. 17, 2014, Inven-  
tors: Konruff, M.; Russell, C.; Nguyen, C., (Not Yet Published).

(Continued)

*Primary Examiner* — Susan Bennett Hattan

*Assistant Examiner* — Brett Miller

(74) *Attorney, Agent, or Firm* — Taft Stettinius &  
Hollister LLP

(57) **CLAIM**

The ornamental design for a gearbox housing, substantially  
as shown and described.

**DESCRIPTION**

FIG. 1 is a perspective view of a gearbox housing of the  
present invention.

FIG. 2 is a second perspective view of the gearbox housing  
of FIG. 1.

FIG. 3 is a third perspective view of the gearbox housing of  
FIG. 1.

FIG. 4 is a fourth perspective view of the gearbox housing  
of FIG. 1.

FIG. 5 is a front view of the gearbox housing of FIG. 1.

FIG. 6 is a top view of the gearbox housing of FIG. 1.

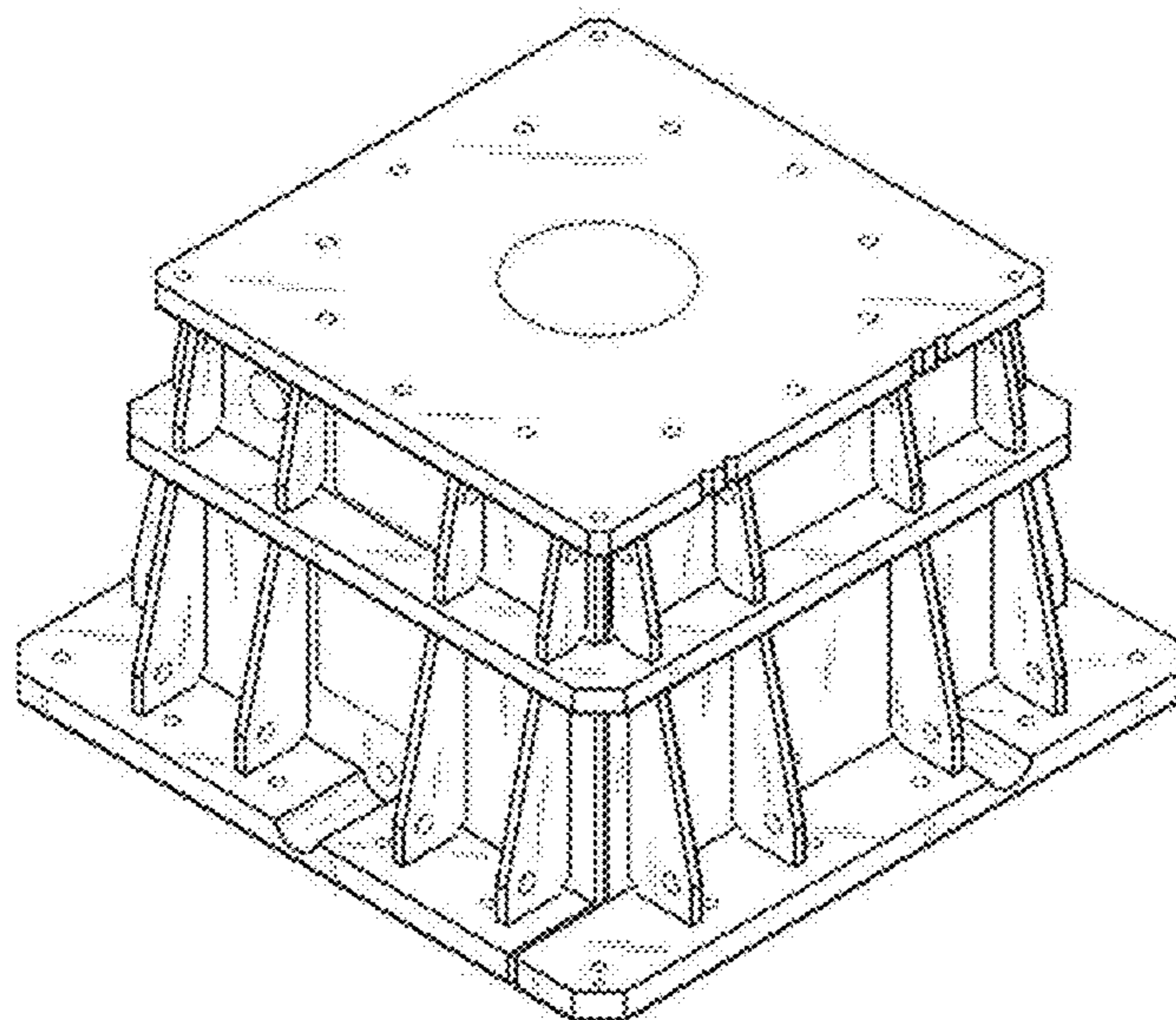
FIG. 7 is a right side view of the gearbox housing of FIG.  
1.

FIG. 8 is a left side view of the gearbox housing of FIG. 1.

FIG. 9 is a back view of the gearbox housing of FIG. 1; and,  
FIG. 10 is a bottom view of the gearbox housing of FIG. 1.

The features shown in broken lines in the drawings depict  
environmental subject matter only and form no part of the  
claimed design.

**1 Claim, 5 Drawing Sheets**



(56)

**References Cited**

U.S. PATENT DOCUMENTS

D673,595 S \* 1/2013 Cho ..... D15/148  
D710,918 S \* 8/2014 Tegeltija ..... D15/148  
2015/0218796 A1\* 8/2015 Seidel ..... E02D 27/42  
52/298  
2016/0047458 A1\* 2/2016 Esterle ..... F16H 57/025  
29/452

OTHER PUBLICATIONS

Co-Pending U.S. Appl. No. 14/457,649, filed Aug. 12, 2014, Inven-  
tors: Esterle, T.; Konruff, M.; Nguyen, C.; Russell, C.; Asher, J.,  
(Not Yet Published).

Co-Pending U.S. Appl. No. 14/333,703, filed Jul. 17, 2014, Inven-  
tors: Konruff, M.; Nguyen, C., (Not Yet Published).

Co-Pending U.S. Appl. No. 14/477,166, filed Sep. 4, 2014, Inven-  
tors: Konruff, M.; Nguyen, C.; Russell, C.; Asher, J.; Dejong, J.;  
Esterle, T., (Not Yet Published).

Co-Pending U.S. Appl. No. 14/453,034, filed Aug. 6, 2014, Inven-  
tors: Konruff, M. (Not Yet Published).

\* cited by examiner



FIG. 1

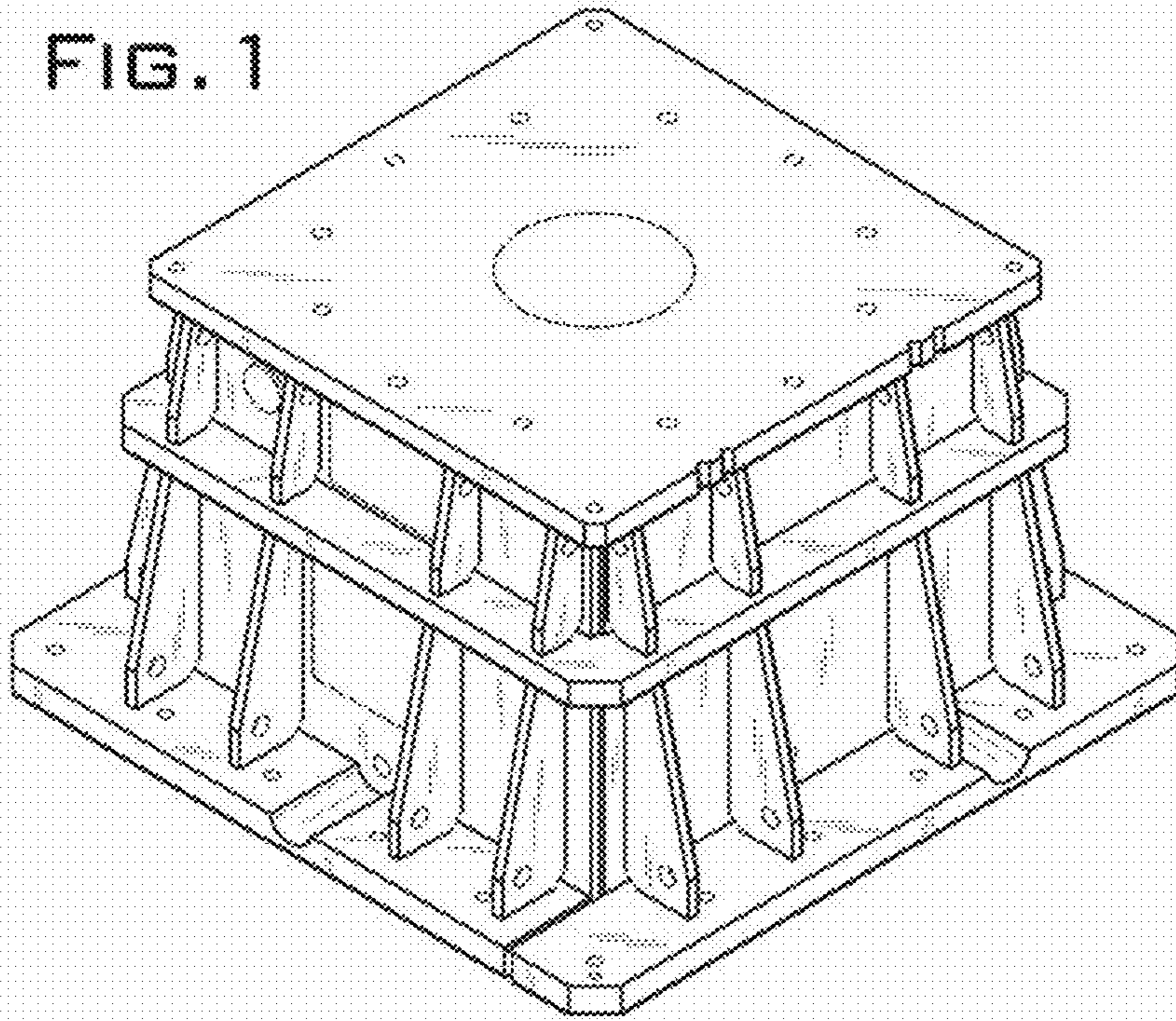


FIG. 2

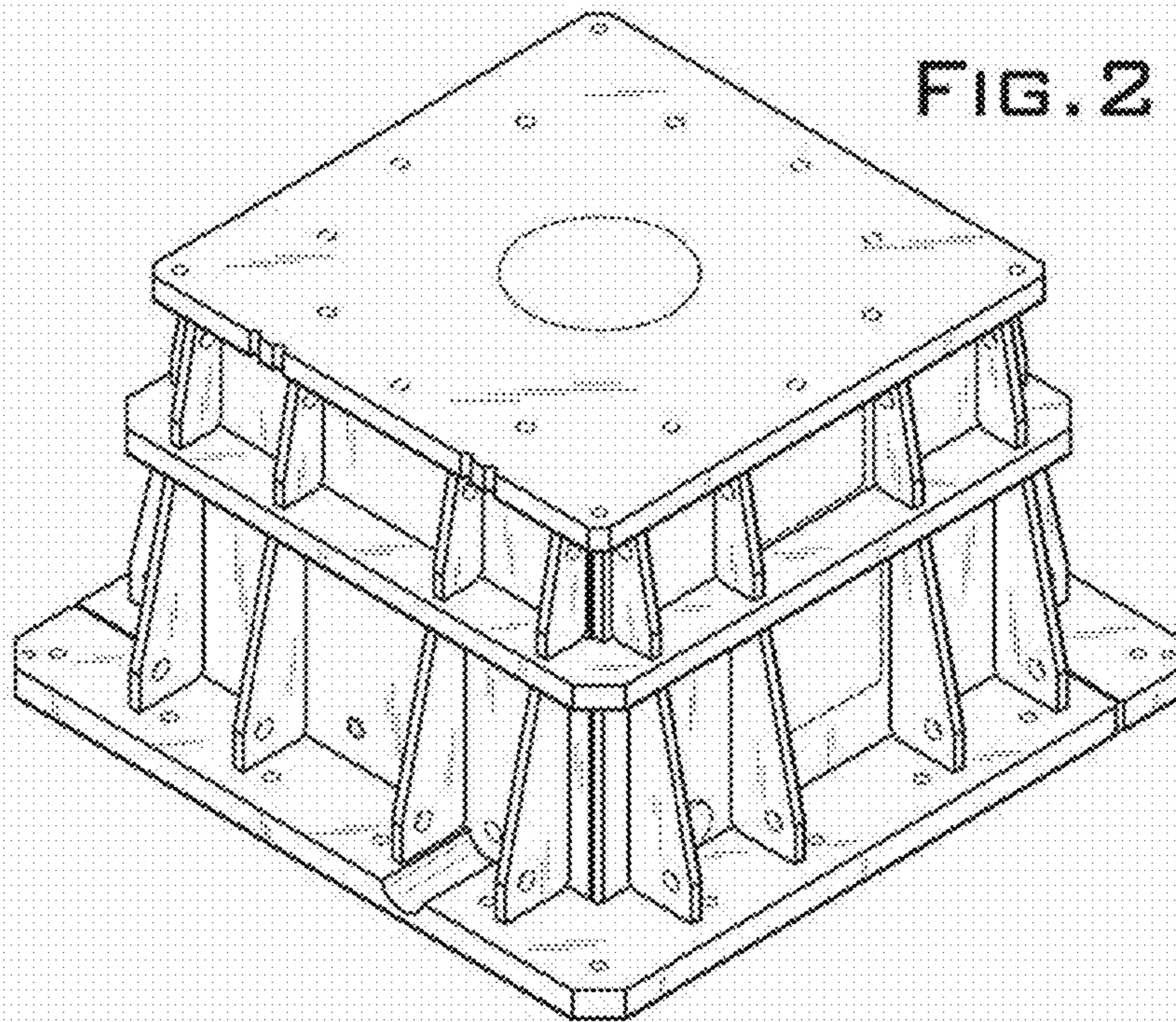




FIG. 3

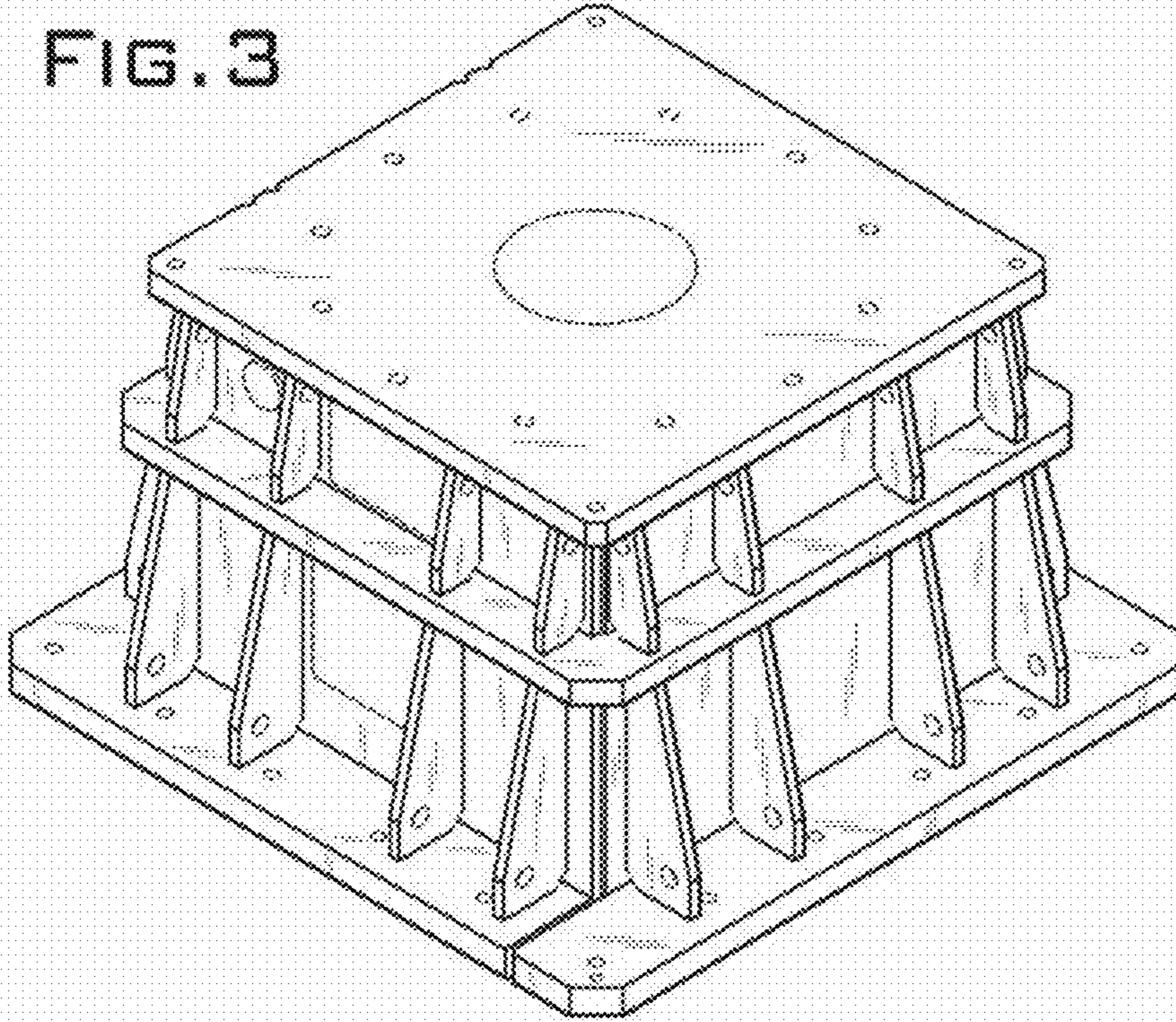
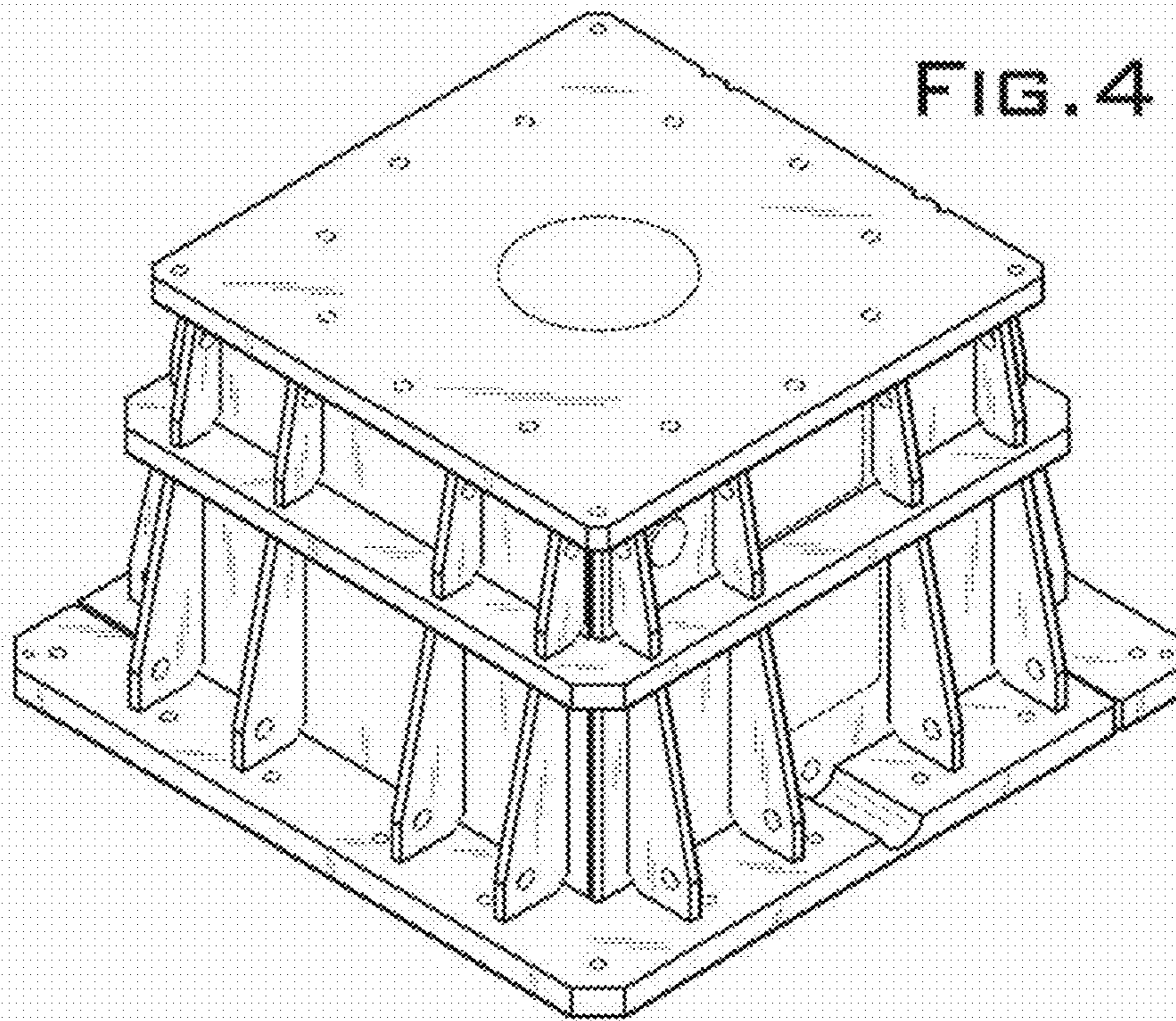


FIG. 4



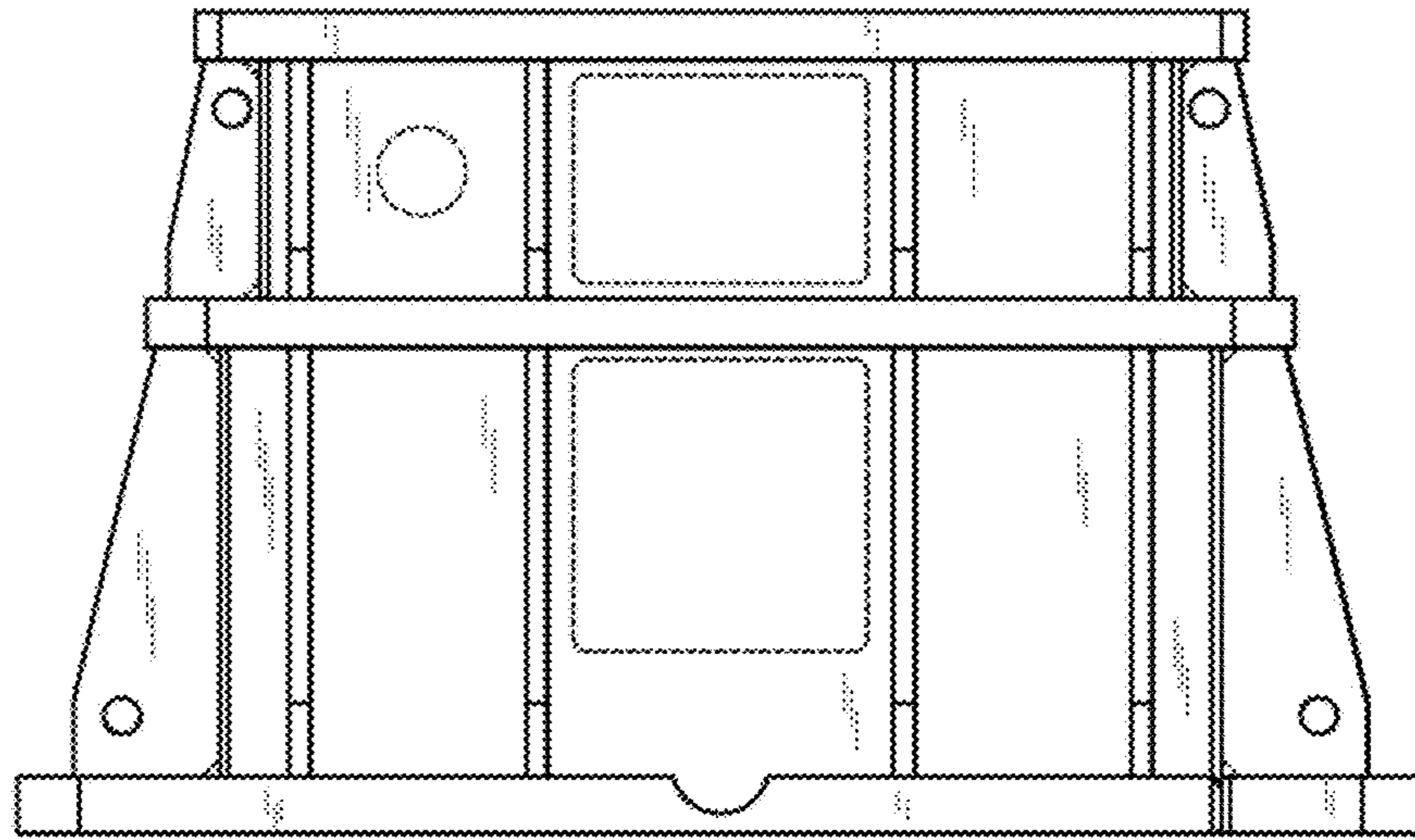


FIG. 5

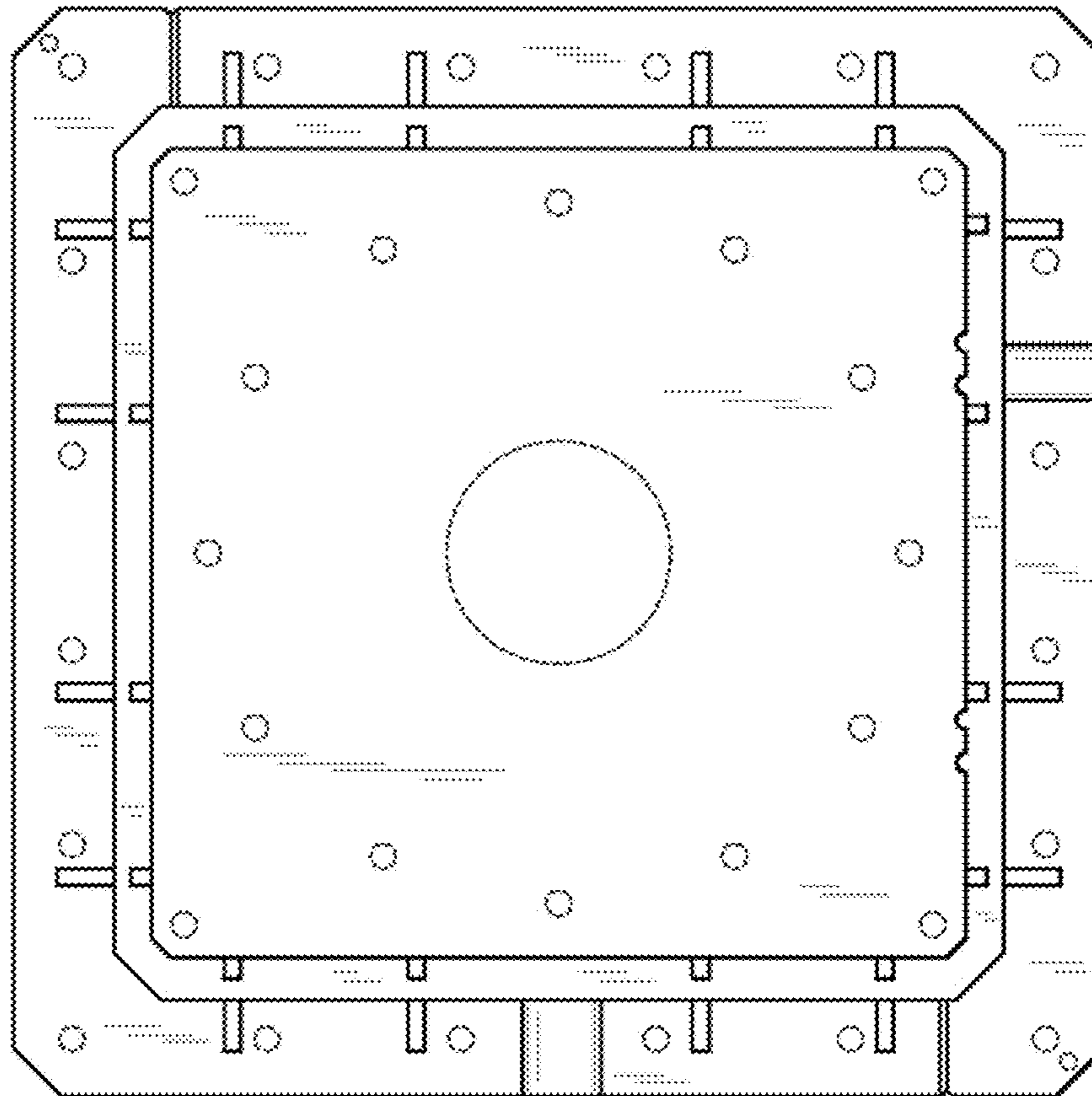


FIG. 6



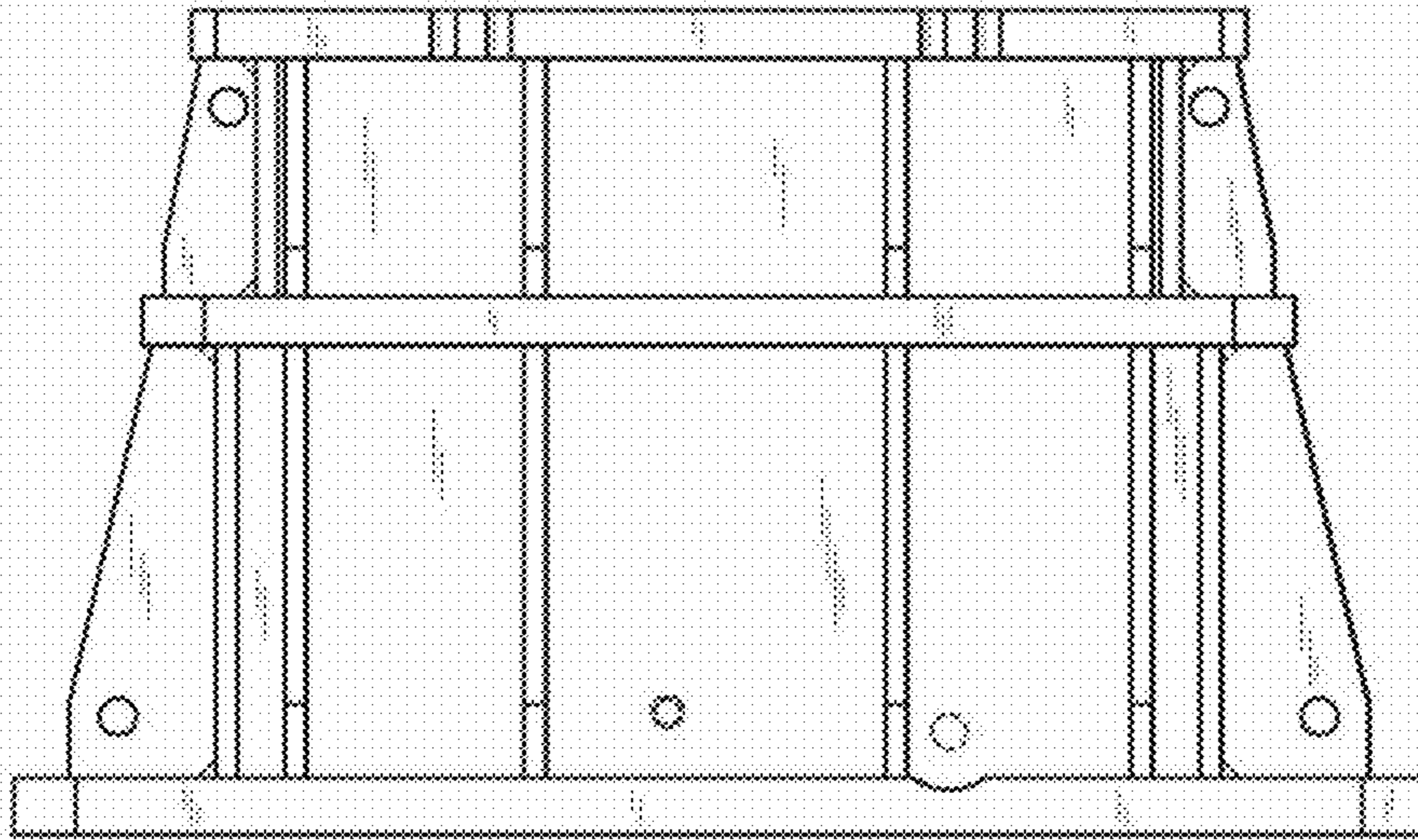


FIG. 7

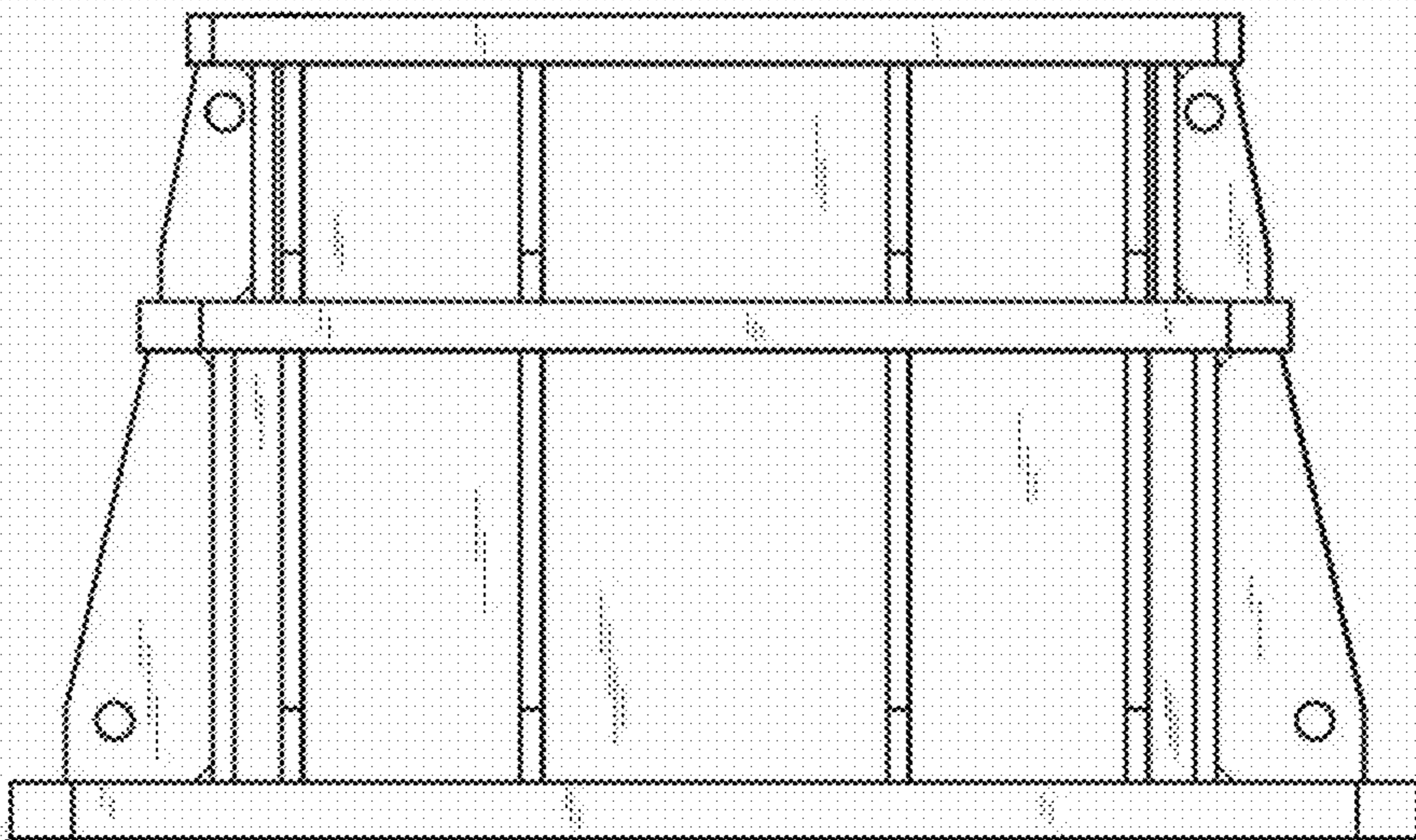


FIG. 8

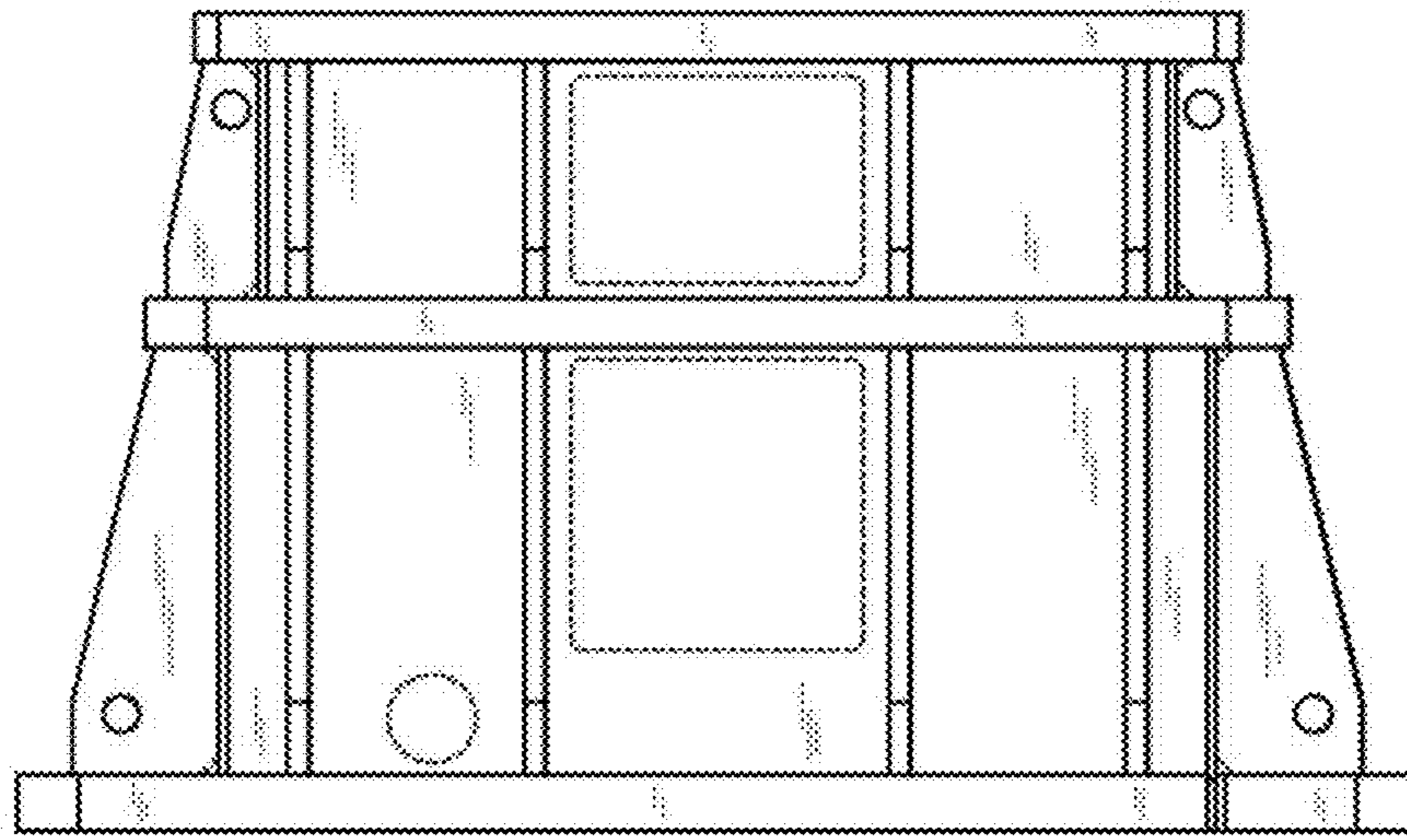


FIG. 9

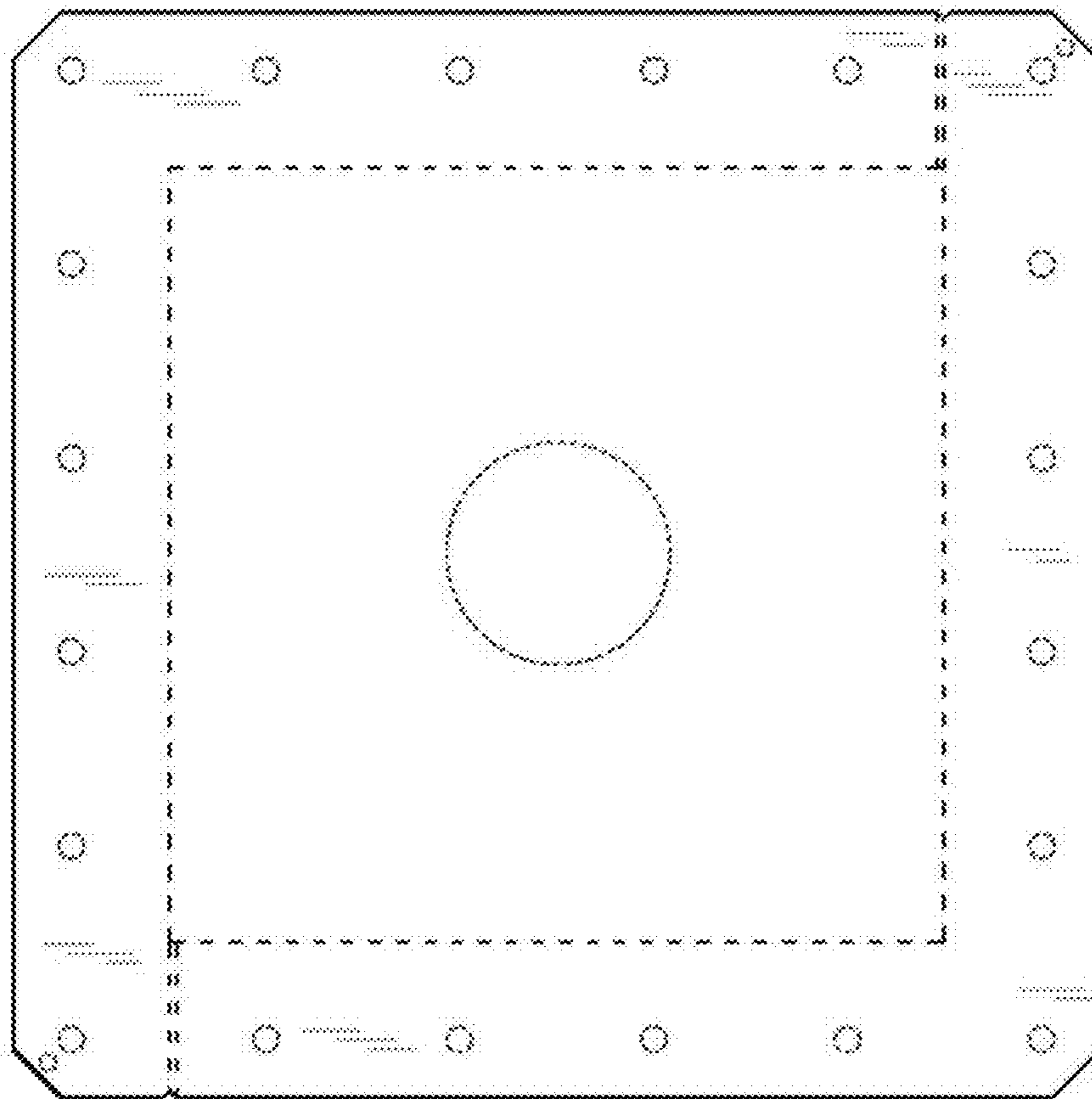


FIG. 10