

US00D775250S

(12) **United States Design Patent** (10) **Patent No.:** **US D775,250 S**  
**Snead et al.** (45) **Date of Patent:** **\*\* Dec. 27, 2016**

(54) **PORTABLE WELD CONTROLLER**

- (71) Applicant: **Lincoln Global, Inc.**, City of Industry, CA (US)
- (72) Inventors: **Jamil Snead**, San Diego, CA (US); **Stephen Cole**, Bonita, CA (US)
- (73) Assignee: **LINCOLN GLOBAL, INC.**, City of Industry, CA (US)
- (\*\*) Term: **15 Years**
- (21) Appl. No.: **29/544,499**
- (22) Filed: **Nov. 4, 2015**
- (51) **LOC (10) Cl.** ..... **15-09**
- (52) **U.S. Cl.**  
USPC ..... **D15/144**
- (58) **Field of Classification Search**  
USPC ..... D15/122, 144, 144.1, 144.2  
See application file for complete search history.

(56) **References Cited**

U.S. PATENT DOCUMENTS

D416,030 S *	11/1999	Weller	.....	D15/144.1
6,489,591 B1 *	12/2002	Achtner	.....	B23K 9/32 219/130.1
D550,731 S *	9/2007	Ishihara	.....	D15/144.2
D621,430 S *	8/2010	Christen	.....	D15/144
D626,576 S *	11/2010	Gramatyka	.....	D15/144
D654,519 S *	2/2012	Wujczak	.....	D15/144
D656,525 S *	3/2012	Mochizuki	.....	D15/144.2
D665,833 S *	8/2012	Raymond	.....	D15/144
D679,738 S *	4/2013	Segala	.....	D15/144
D697,099 S *	1/2014	Berengut	.....	D15/144
D727,986 S *	4/2015	Matiash	.....	D15/144
D752,665 S *	3/2016	Kindig	.....	D15/144
D752,666 S *	3/2016	Ge	.....	D15/144
2013/0228556 A1 *	9/2013	Segala	.....	B23K 10/00 219/121.39

OTHER PUBLICATIONS

Power Feed 25M, Semiautomatic Wire Feeders, Lincoln Electric, Issued Feb. 2012.  
Apex 3000 Mechanized Controller, Lincoln Electric, located on the Internet at [http://www.lincolnelectric.com/en-us/equipment/Pages/product.aspx?product=K52103-1\(LincolnElectric\)](http://www.lincolnelectric.com/en-us/equipment/Pages/product.aspx?product=K52103-1(LincolnElectric)), accessed on Oct. 29, 2015.  
Power Feed 25M, Lincoln Electric, Semiautomatic Wire Feeders, located on the Internet at <http://www.lincolnelectric.com/en-us/equipment/Pages/product-display.aspx?product=K2536-4%28LincolnElectric%29>, accessed on Oct. 29, 2015.

\* cited by examiner

*Primary Examiner* — Patricia Palasik  
(74) *Attorney, Agent, or Firm* — Pearne & Gordon LLP

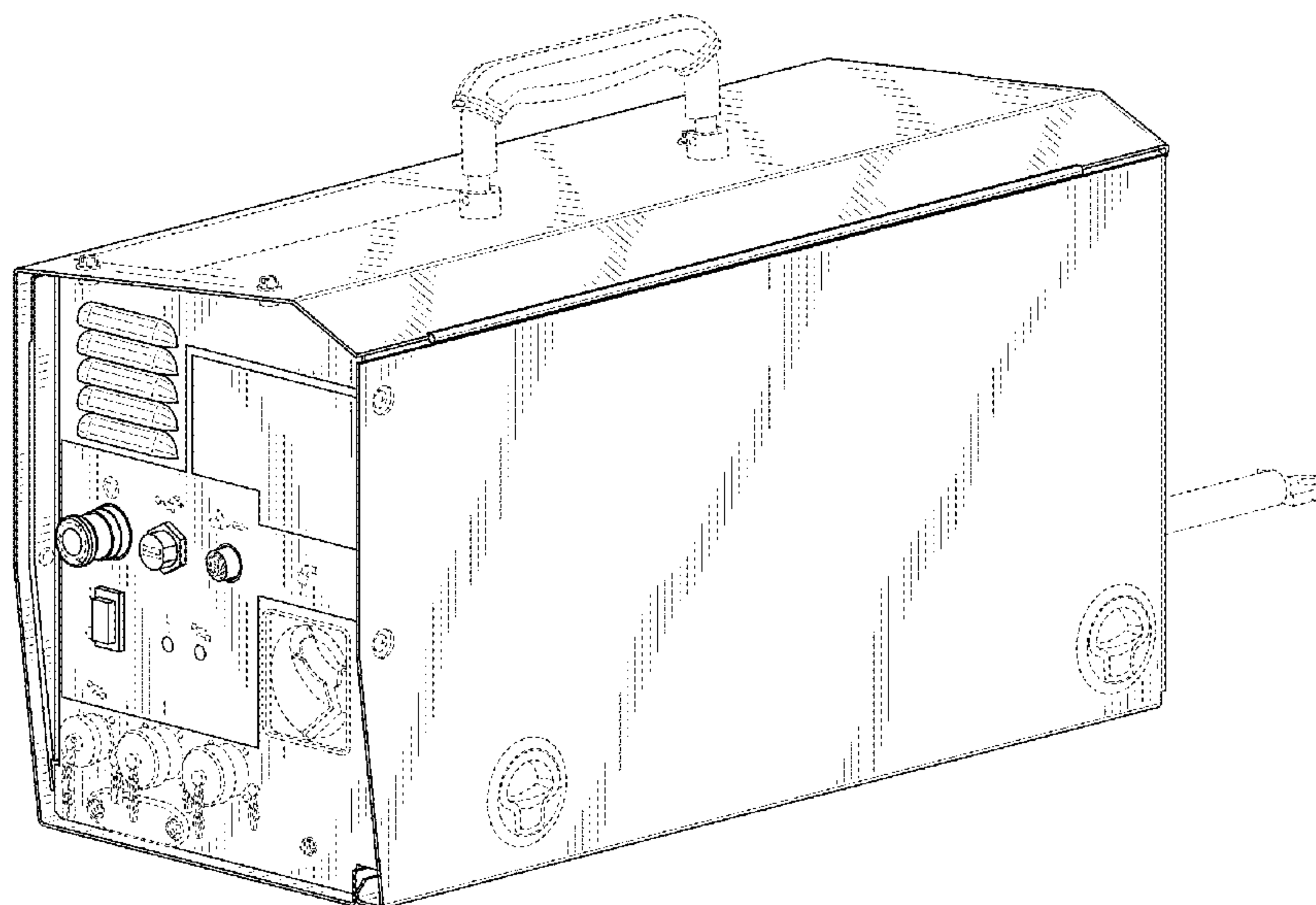
(57) **CLAIM**

The ornamental design for a portable weld controller, as shown and described.

**DESCRIPTION**

FIG. 1 is a front perspective view of a portable weld controller showing our new design;  
FIG. 2 is a rear perspective view thereof;  
FIG. 3 is a front elevation view thereof;  
FIG. 4 is a rear elevation view thereof;  
FIG. 5 is a right side elevation view thereof;  
FIG. 6 is a left side elevation view thereof;  
FIG. 7 is a top plan view thereof; and,  
FIG. 8 is a bottom plan view thereof.  
The broken lines in the drawings depict unclaimed environmental subject matter.

**1 Claim, 8 Drawing Sheets**



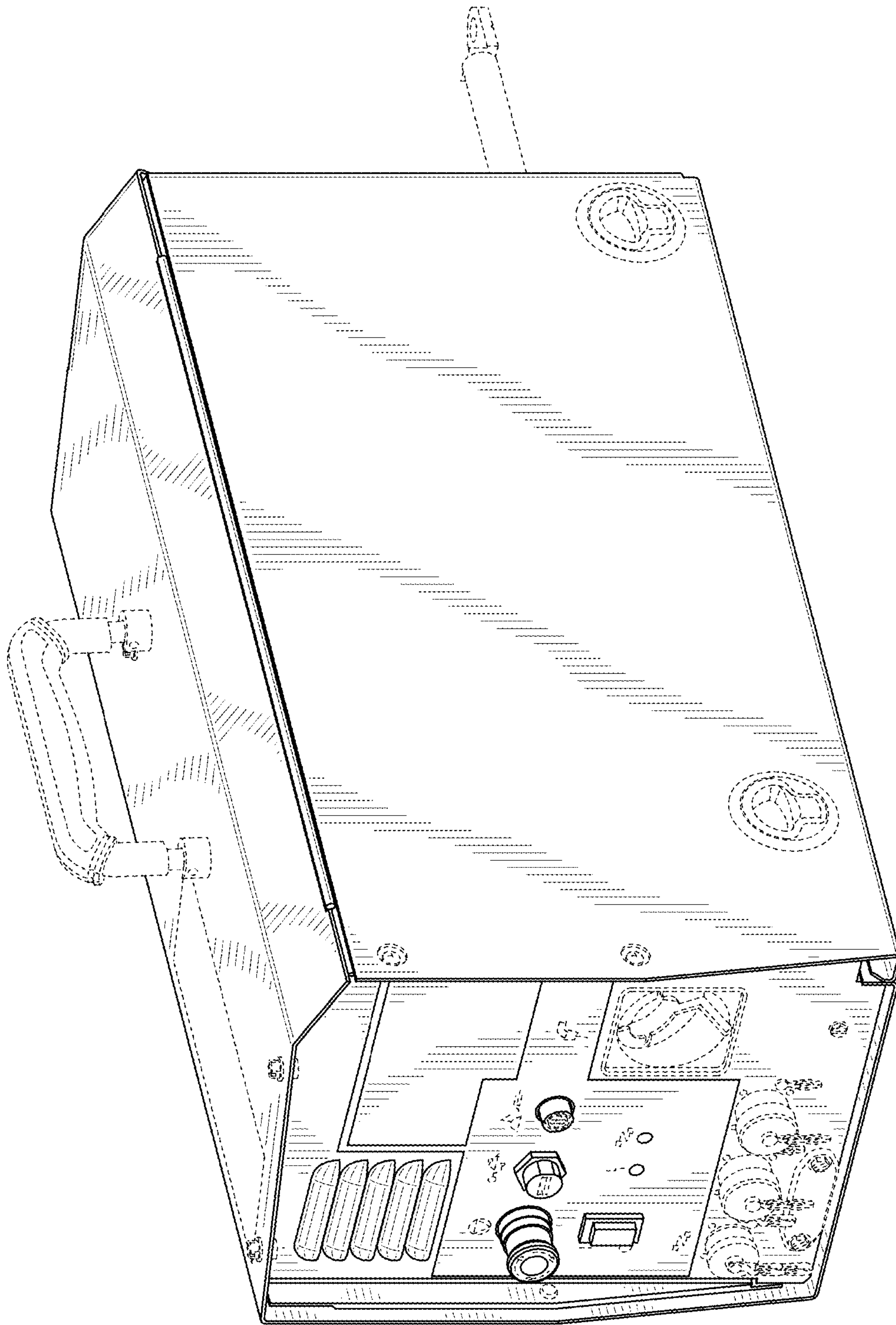


FIG. 1

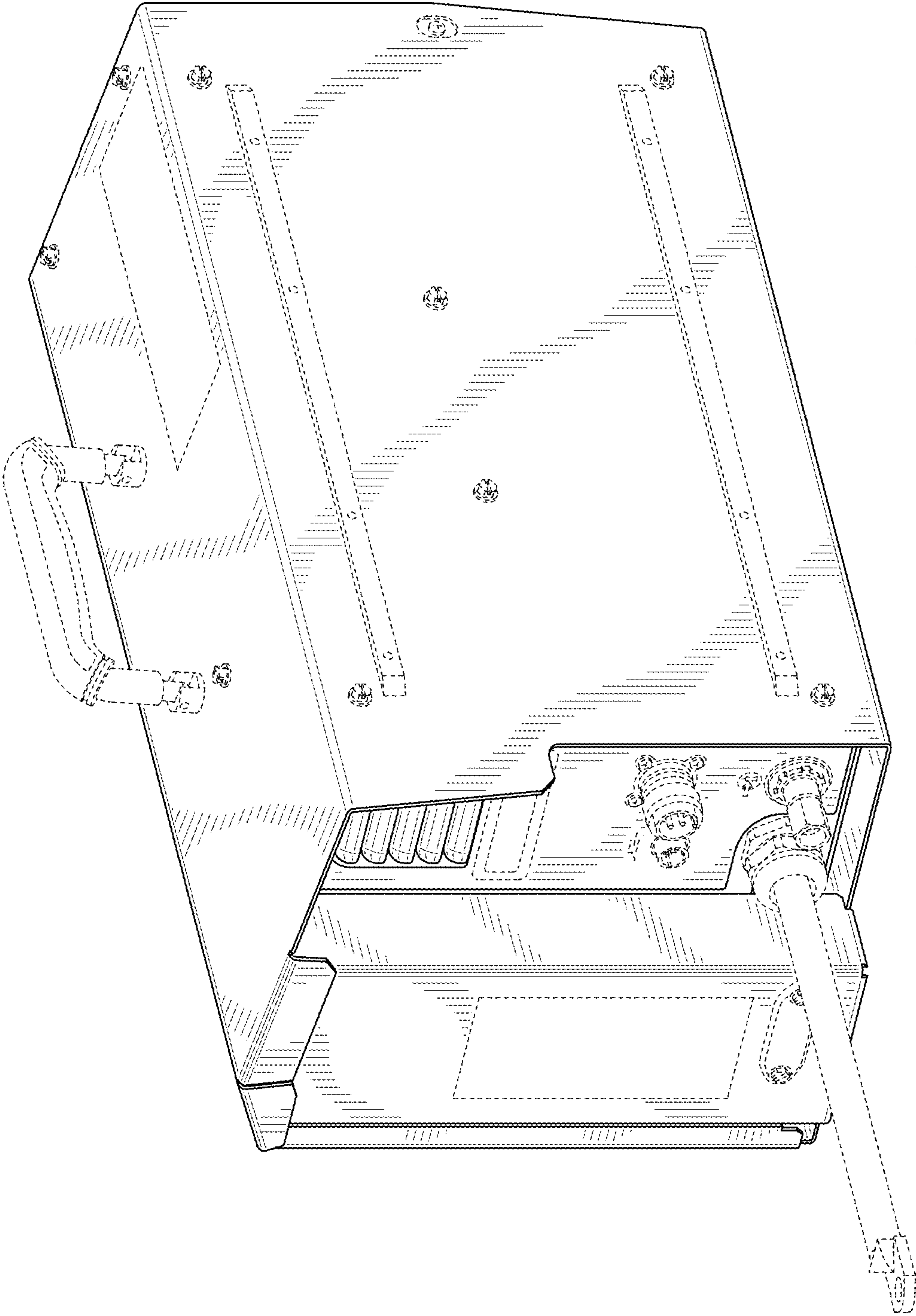


FIG. 2

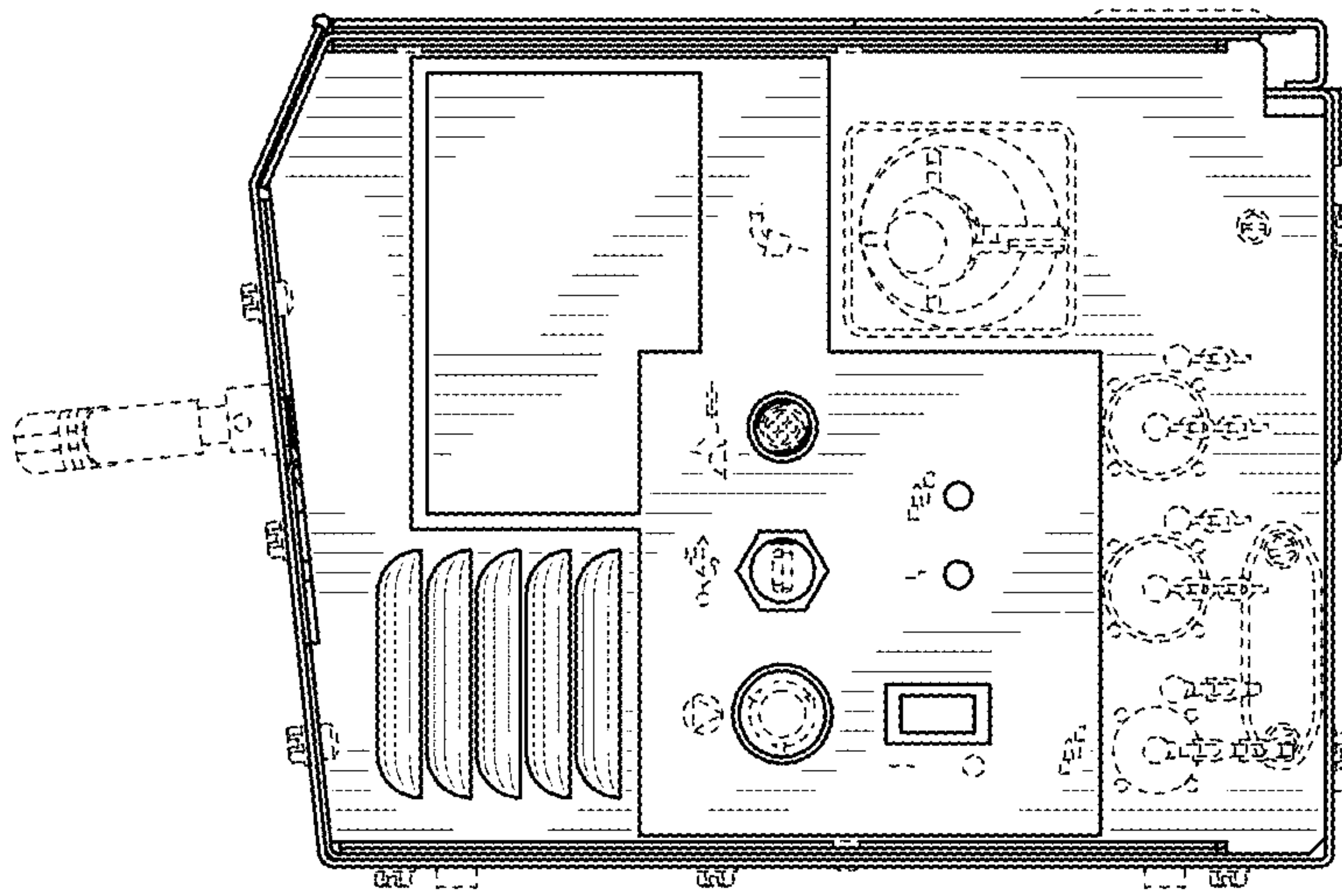


FIG. 3



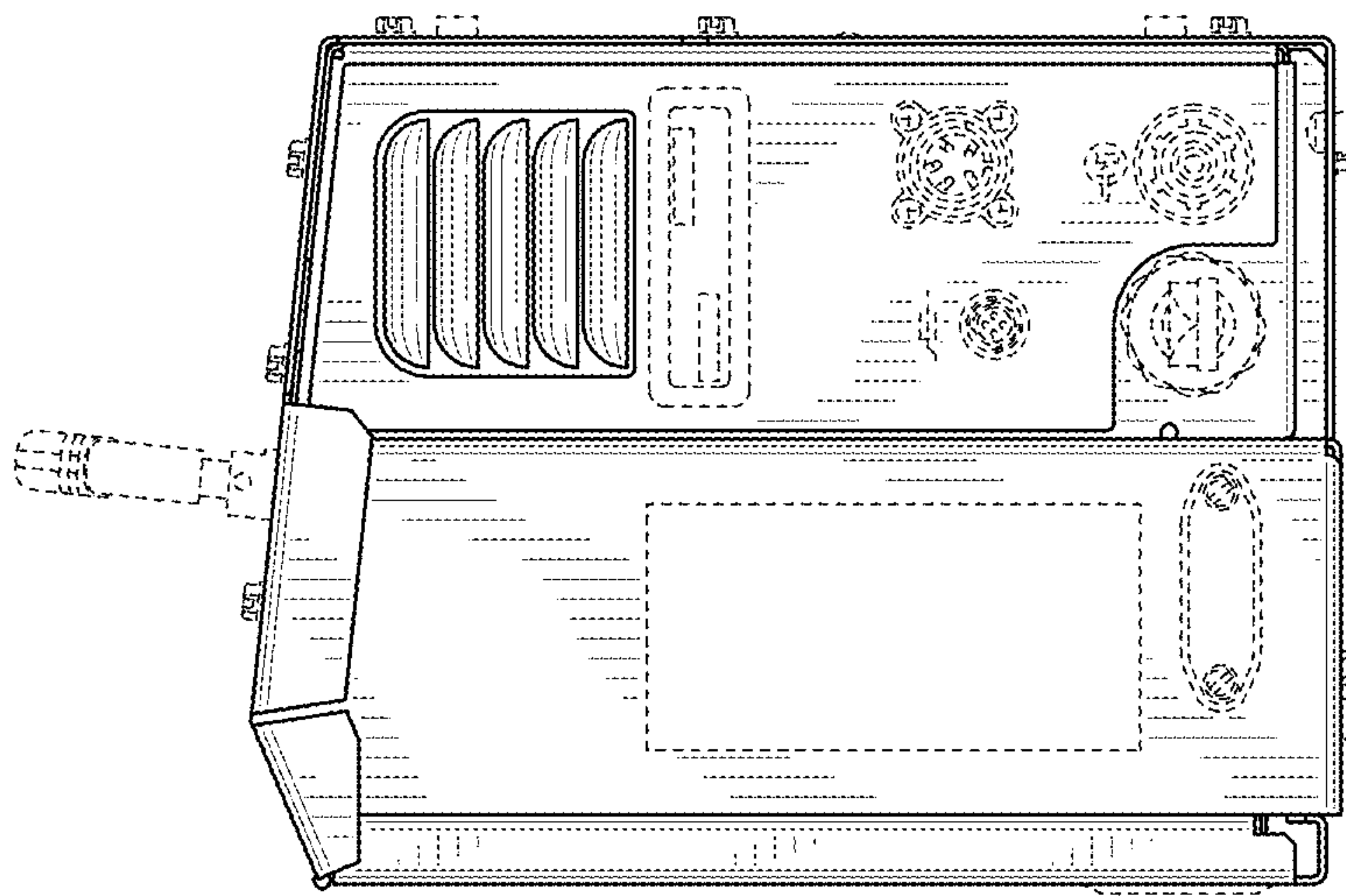


FIG. 4

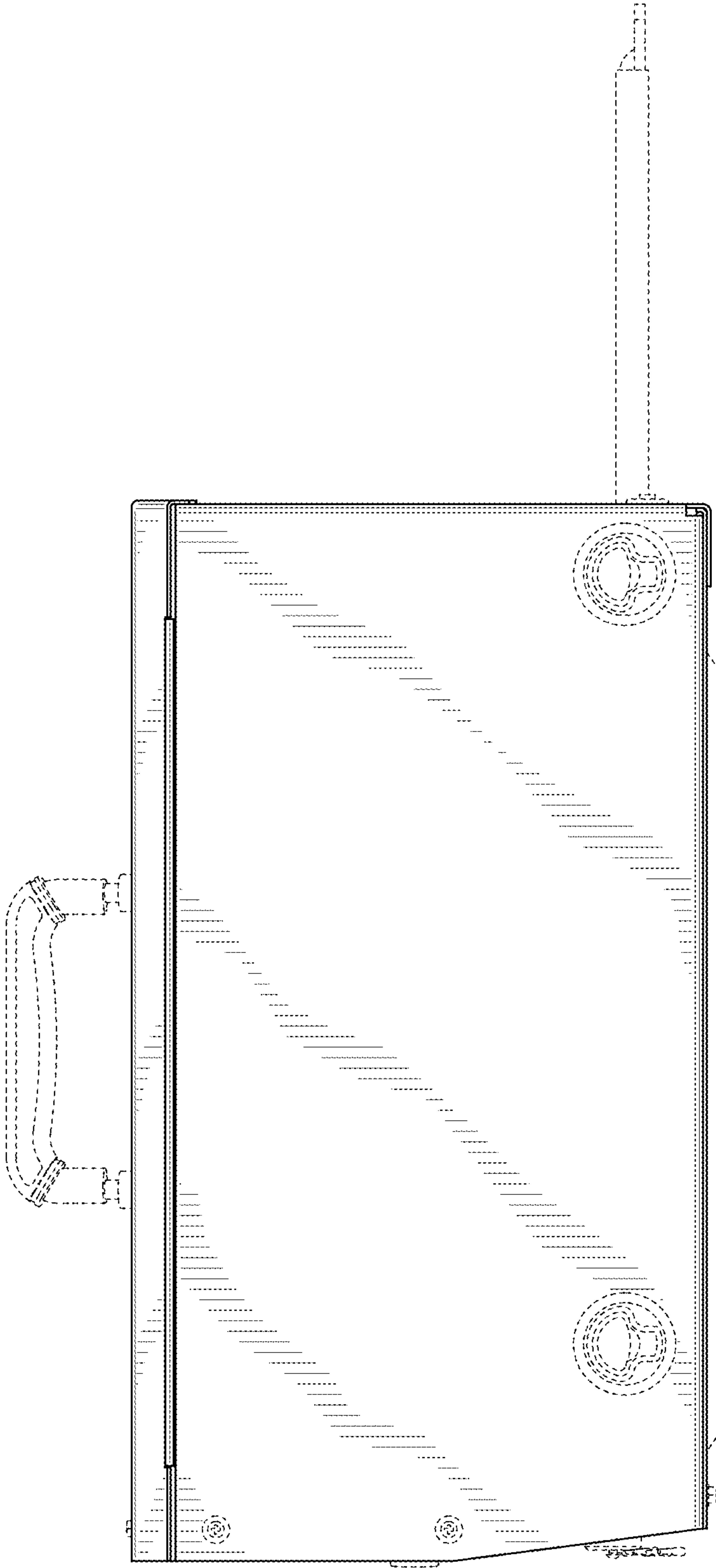


FIG. 5

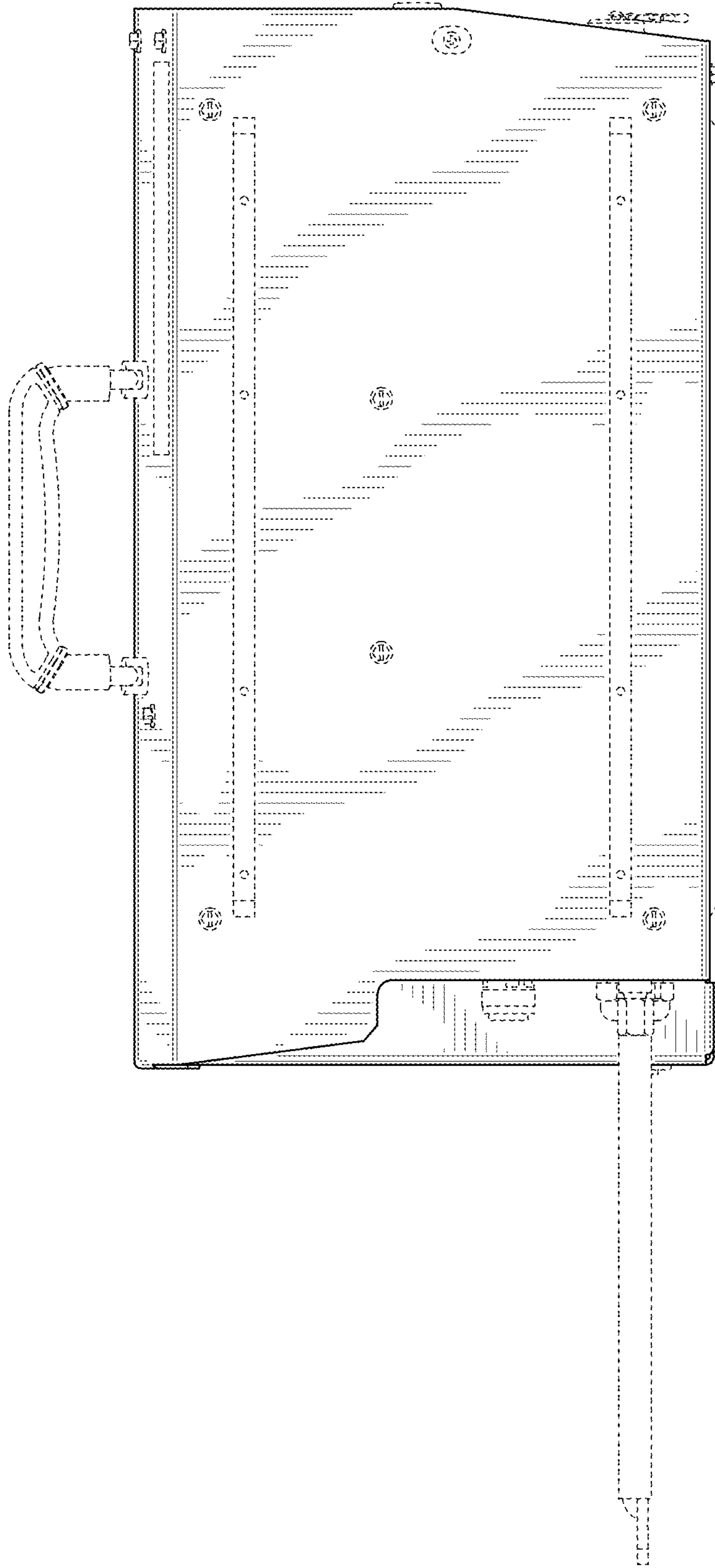


FIG. 6

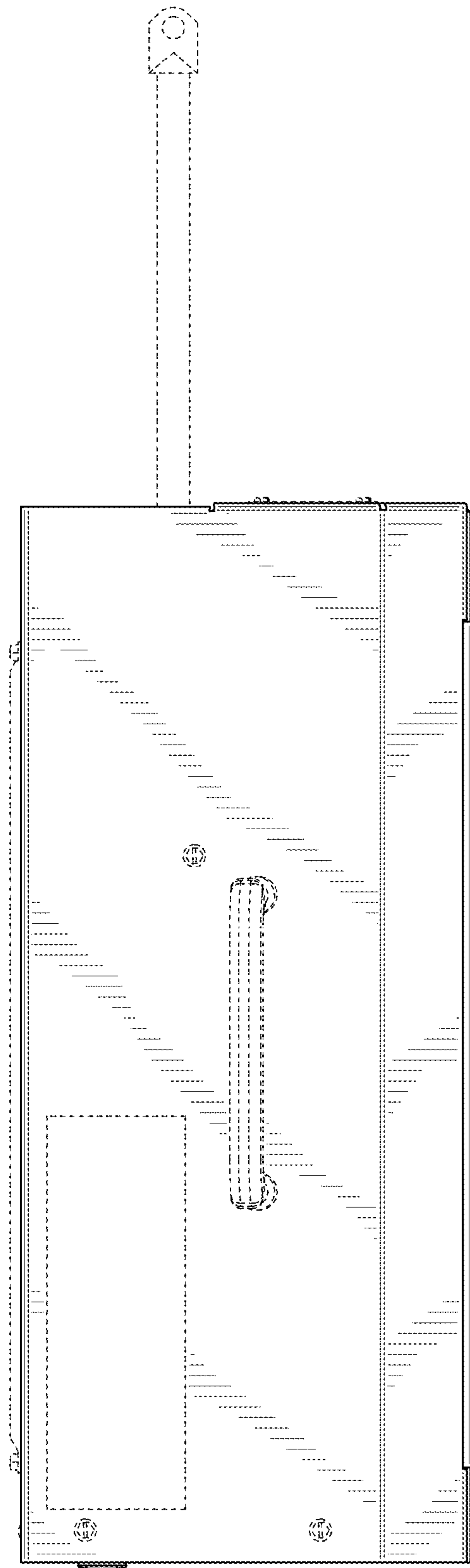


FIG. 7



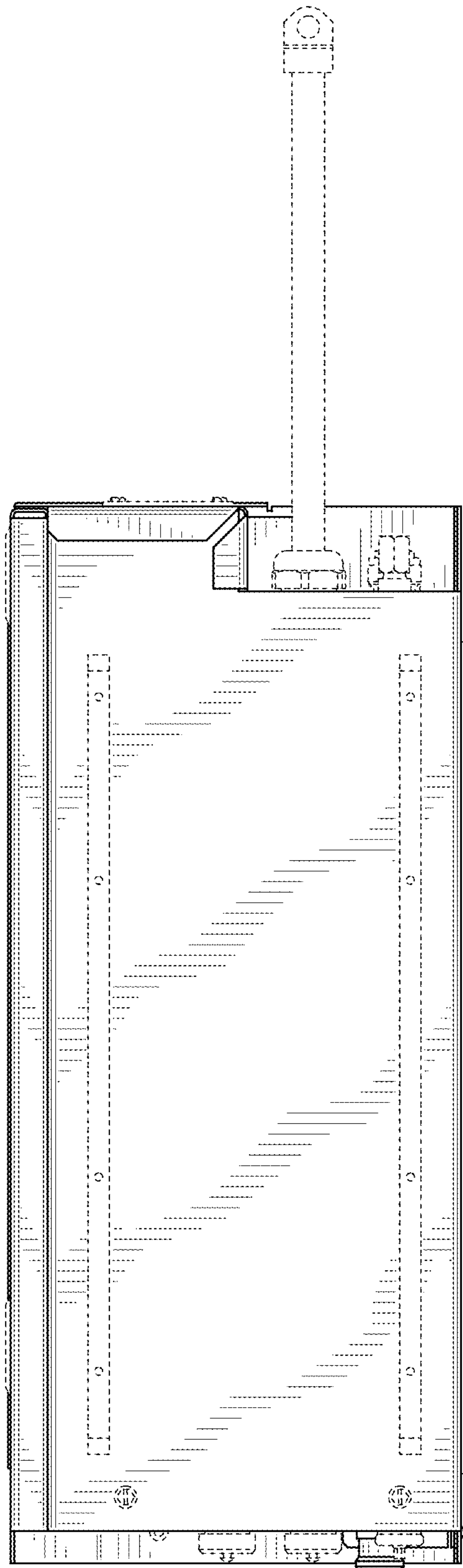


FIG. 8