



US00D775249S

(12) **United States Design Patent**
Furujo et al.

(10) **Patent No.:** **US D775,249 S**

(45) **Date of Patent:** **** Dec. 27, 2016**

(54) **INNER NOZZLE FOR PLASMA TORCH**

(71) Applicant: **Koike Sanso Kogyo Co., Ltd.**, Tokyo (JP)

(72) Inventors: **Akira Furujo**, Tokyo (JP); **Ryuji Kobayashi**, Tokyo (JP); **Masahiro Mogi**, Tokyo (JP)

(73) Assignee: **KOIKE SANSO KOGYO CO., LTD.**, Edogawa-ku, Tokyo (JP)

(**) Term: **15 Years**

(21) Appl. No.: **29/541,116**

(22) Filed: **Sep. 30, 2015**

(30) **Foreign Application Priority Data**

Apr. 1, 2015 (JP) 2015-007347
Apr. 1, 2015 (JP) 2015-007351

(51) **LOC (10) Cl.** **15-09**

(52) **U.S. Cl.**
USPC **D15/144**

(58) **Field of Classification Search**
USPC D8/14, 14.1, 29.1, 30; D15/122, 144, D15/144.1, 144.2; 219/75, 121.5, 121.45, 219/121.48, 1, 121.51; 313/231.41
See application file for complete search history.

(56) **References Cited**

U.S. PATENT DOCUMENTS

D365,345 S * 12/1995 Carkhuff D15/144
5,747,767 A * 5/1998 Severance H05H 1/28
219/121.48
5,893,985 A * 4/1999 Luo B23K 10/00
219/121.48

5,965,040 A * 10/1999 Luo B23K 10/00
219/121.48
6,169,264 B1 * 1/2001 Marhic H05H 1/34
219/121.48
D446,231 S * 8/2001 Kuraoka D15/144

(Continued)

Primary Examiner — Patricia Palasik
(74) *Attorney, Agent, or Firm* — Shlesinger, Arkwright & Garvey LLP

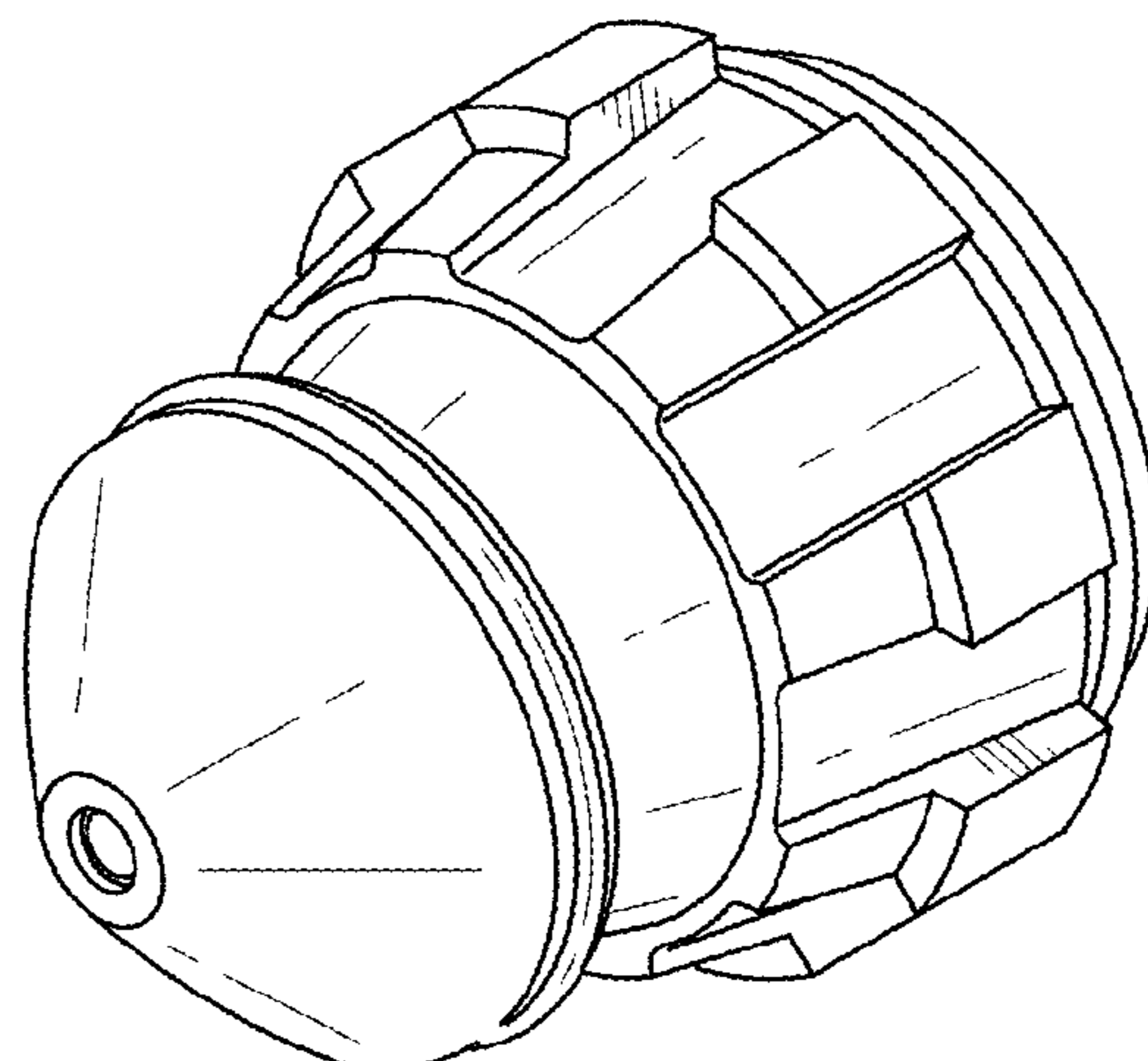
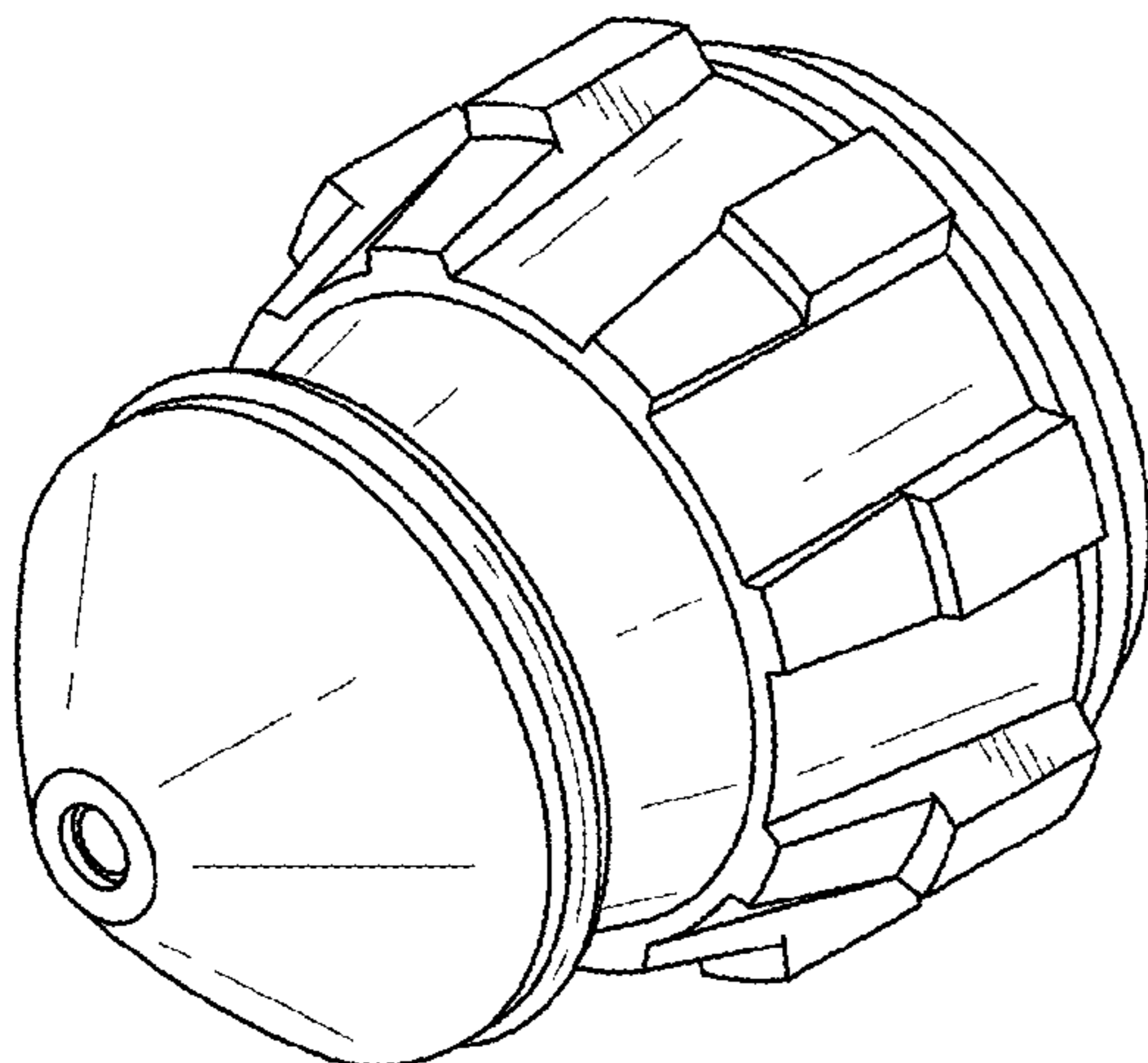
(57) **CLAIM**

The ornamental design for the inner nozzle for plasma torch, as shown and described.

DESCRIPTION

FIG. 1 is a side view of an inner nozzle for plasma torch showing our design;
FIG. 2 is a front view thereof;
FIG. 3 is a rear view thereof;
FIG. 4 is a cross-sectional view taken along line 4-4 of FIG. 3;
FIG. 5 is a perspective view thereof;
FIG. 6 is an exploded view of a plasma torch, including an outer nozzle therefor, inner cap, electrode, plasma torch body, and the inner nozzle shown in broken lines for environment only, illustrating the position of the inner nozzle relative to the same and forming no part of the claimed design;
FIG. 7 is a side view of another inner nozzle for plasma torch according to our design;
FIG. 8 is a front view thereof;
FIG. 9 is a rear view thereof;
FIG. 10 is a cross-sectional view taken along line 10-10 of FIG. 9;
FIG. 11 is a perspective view thereof; and,
FIG. 12 is an exploded view of a plasma torch, including an outer nozzle therefor, inner cap, electrode, plasma torch body, and the inner nozzle shown in broken lines for environment only, illustrating the position of the inner nozzle relative to the same and forming no part of the claimed design.

1 Claim, 12 Drawing Sheets



(56)

References Cited

U.S. PATENT DOCUMENTS

D511,663 S * 11/2005 Hewett D8/30
D519,137 S * 4/2006 Furujo D15/144
D520,037 S * 5/2006 Furujo D15/144
D535,674 S * 1/2007 Conway D15/144
D582,950 S * 12/2008 Yamaguchi D15/144
D582,951 S * 12/2008 Yamaguchi D15/144
7,500,590 B2 * 3/2009 Mironescu B23K 20/007
228/180.5
7,605,340 B2 * 10/2009 Duan H05H 1/34
219/121.49
7,737,383 B2 * 6/2010 Hussary H05H 1/34
219/121.48
7,935,909 B2 * 5/2011 Hussary H05H 1/34
219/121.48
D654,939 S * 2/2012 Furujo D15/144
D654,940 S * 2/2012 Furujo D15/144
8,258,424 B2 * 9/2012 Griffin B23K 10/006
219/121.48
8,338,740 B2 * 12/2012 Liebold H05H 1/28
219/121.5
8,389,887 B2 * 3/2013 Liebold B23K 9/296
219/121.49
D702,272 S * 4/2014 Furujo D15/144
8,710,397 B2 * 4/2014 Jehnert H05H 1/34
219/119
9,073,141 B2 * 7/2015 Laurisch H05H 1/34
9,079,265 B2 * 7/2015 Reinke B23K 9/32
9,101,041 B2 * 8/2015 Reinke H05H 1/34
9,204,526 B2 * 12/2015 Laurisch H05H 1/34
2005/0082263 A1 * 4/2005 Koike H05H 1/28
219/121.49
2010/0264120 A1 * 10/2010 Reinke H05H 1/34
219/121.5

* cited by examiner

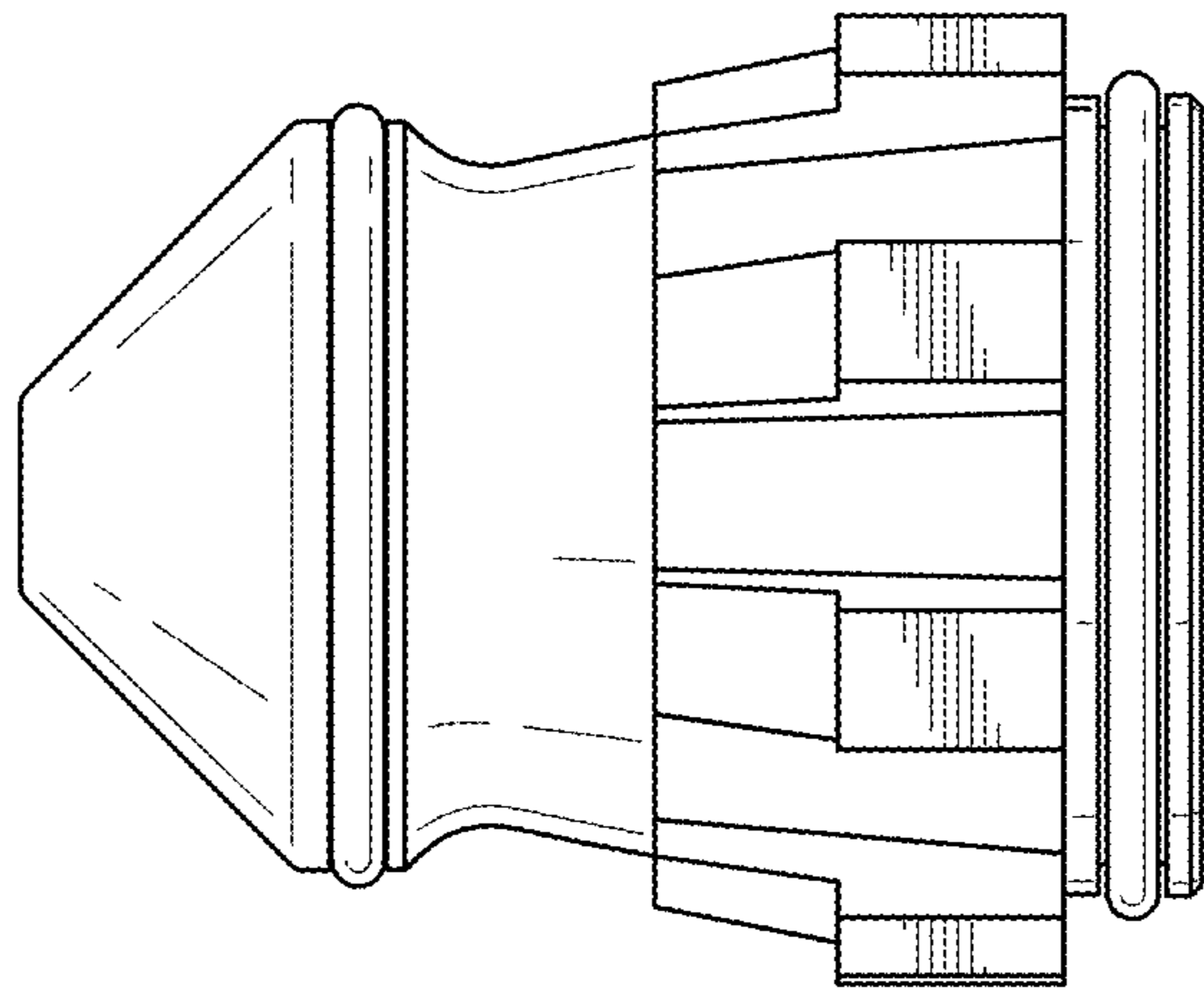


FIG. 1

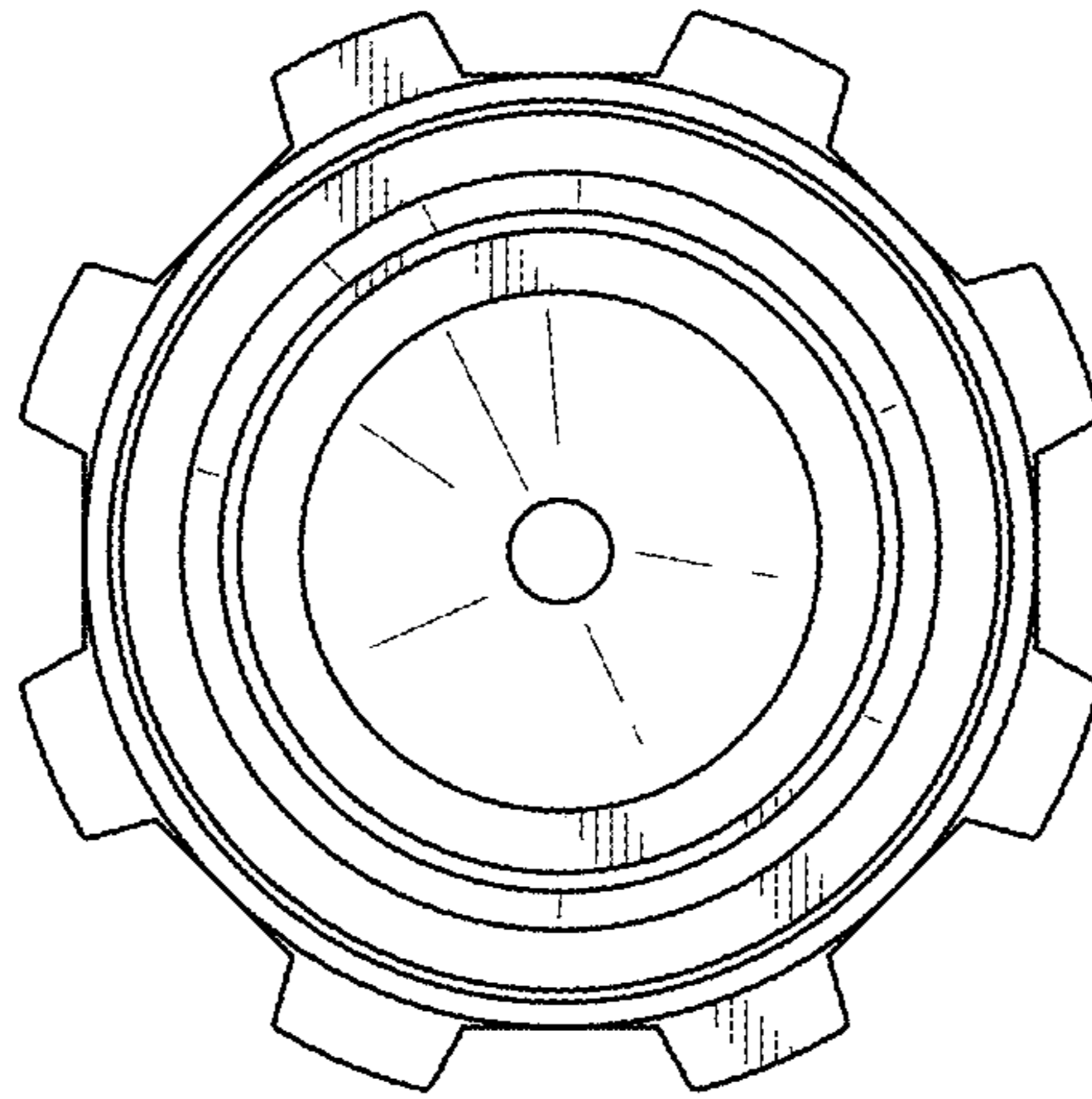


FIG. 2

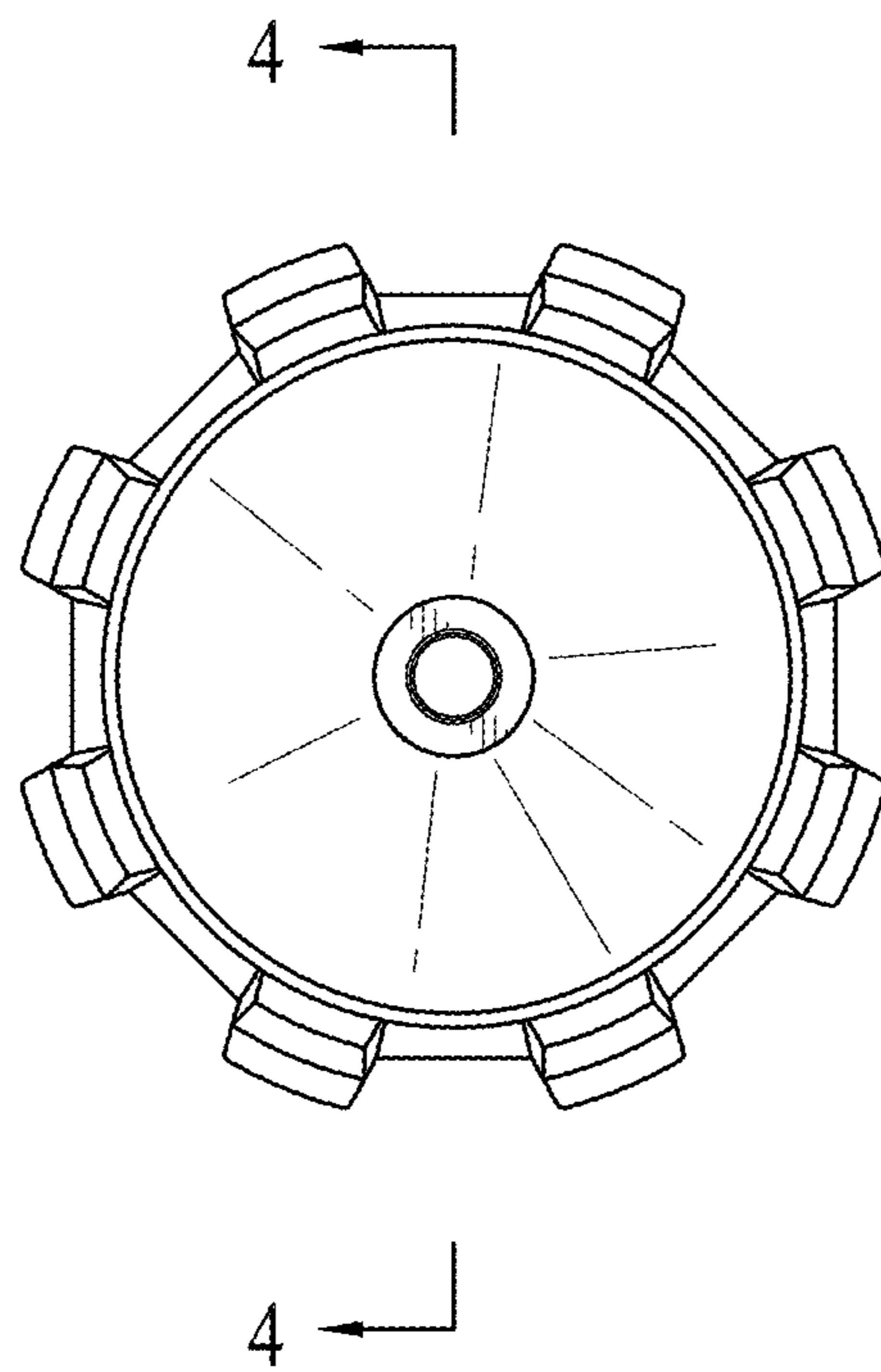


FIG. 3

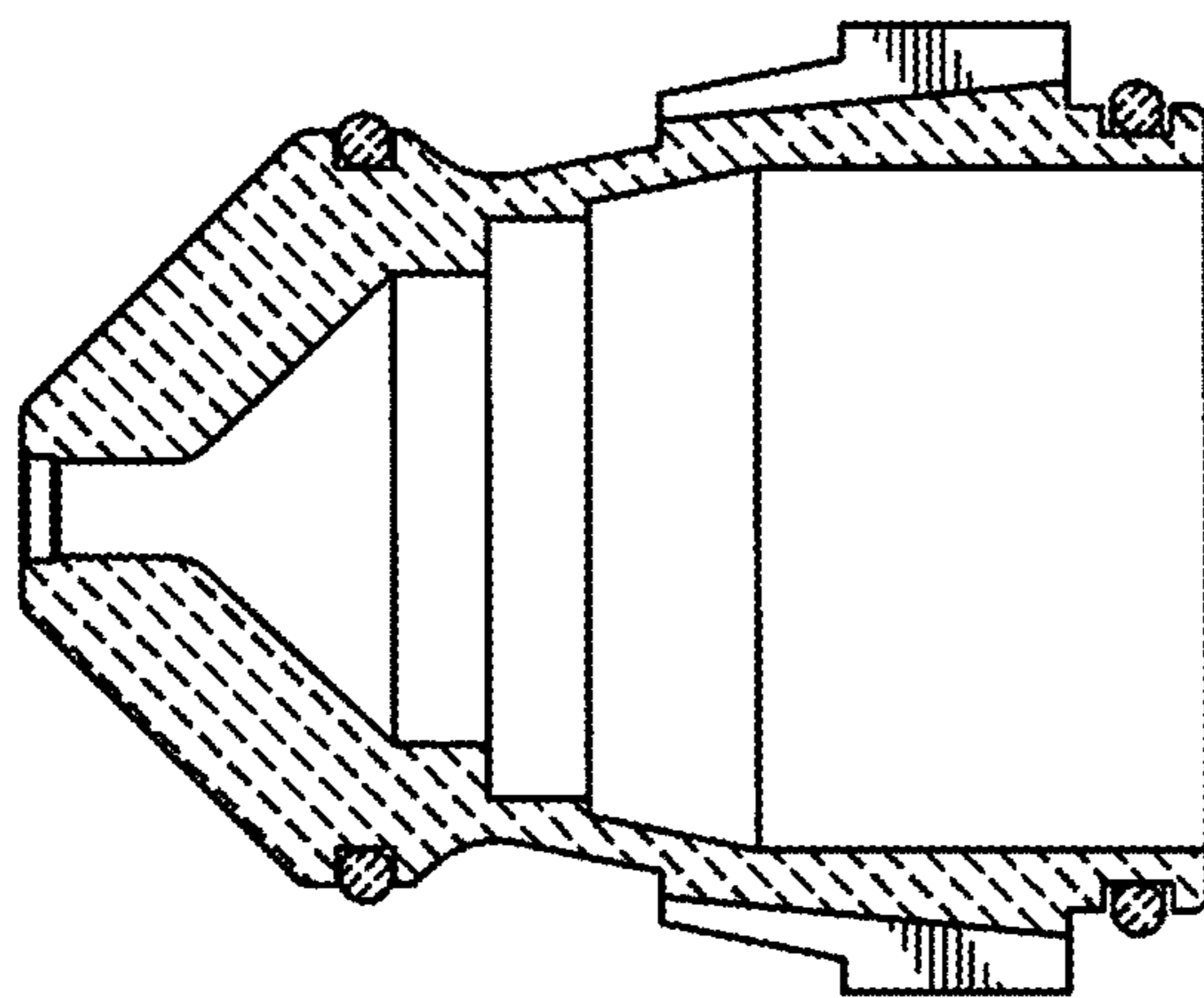


FIG. 4

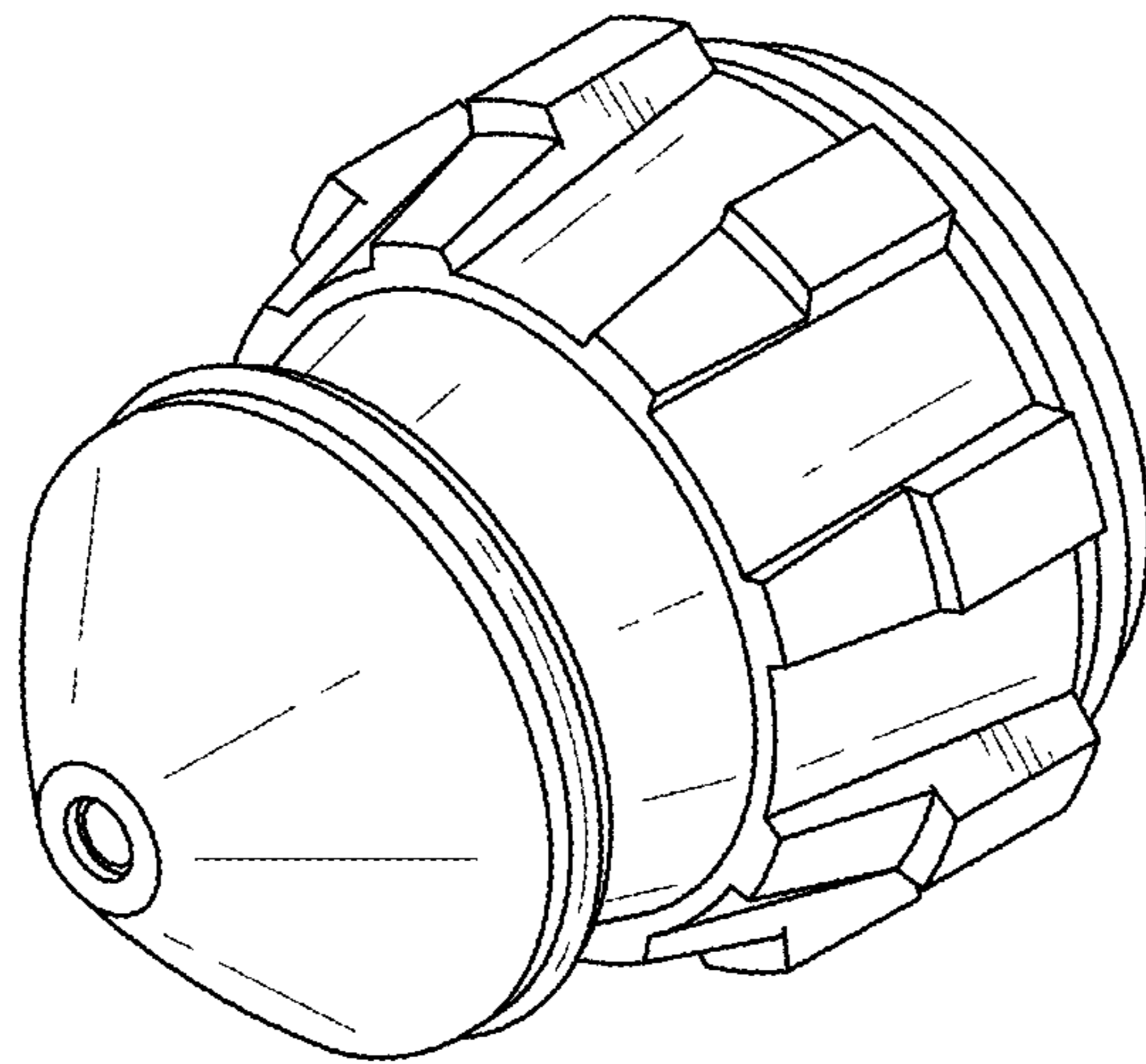


FIG. 5

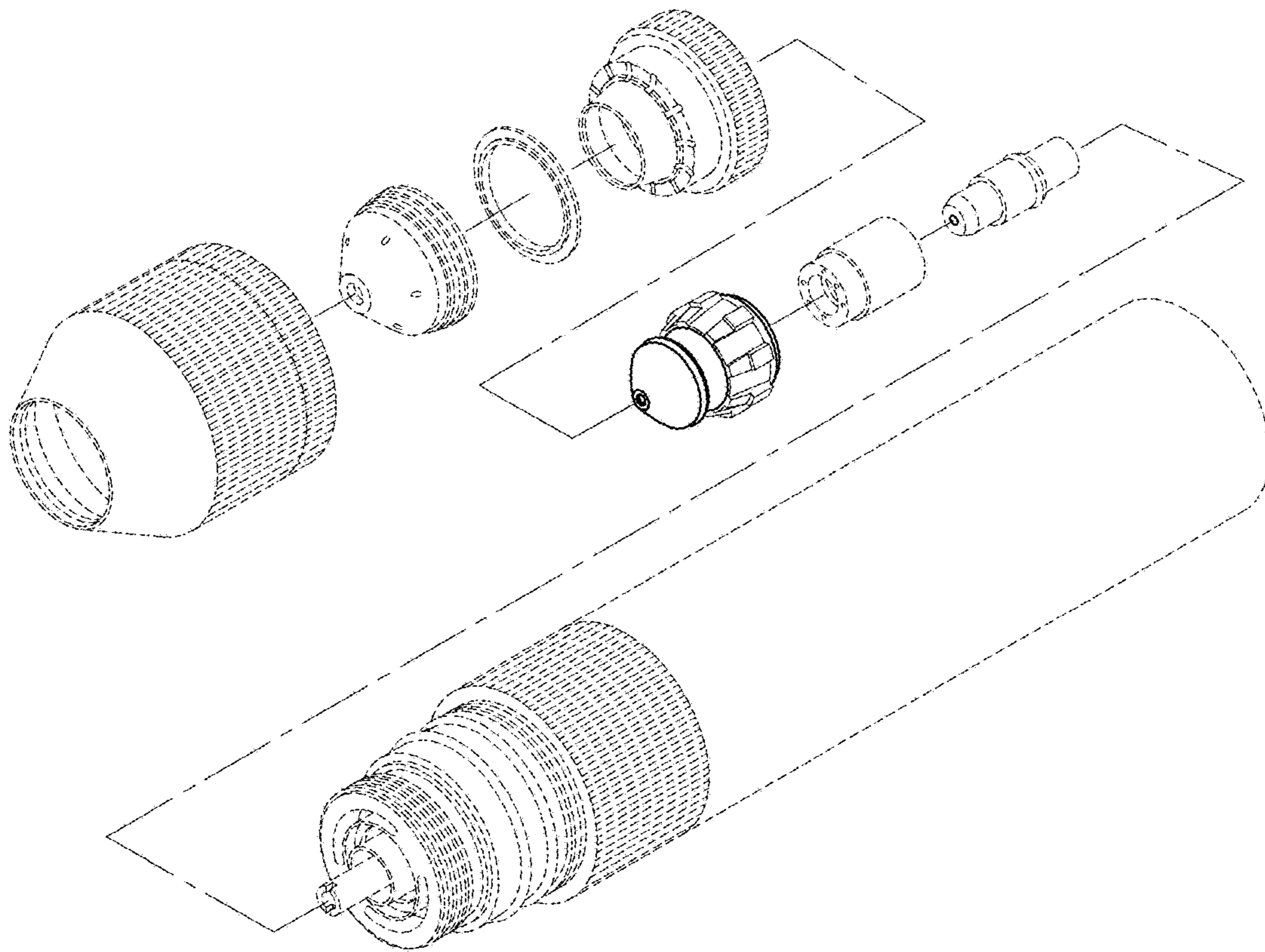


FIG. 6

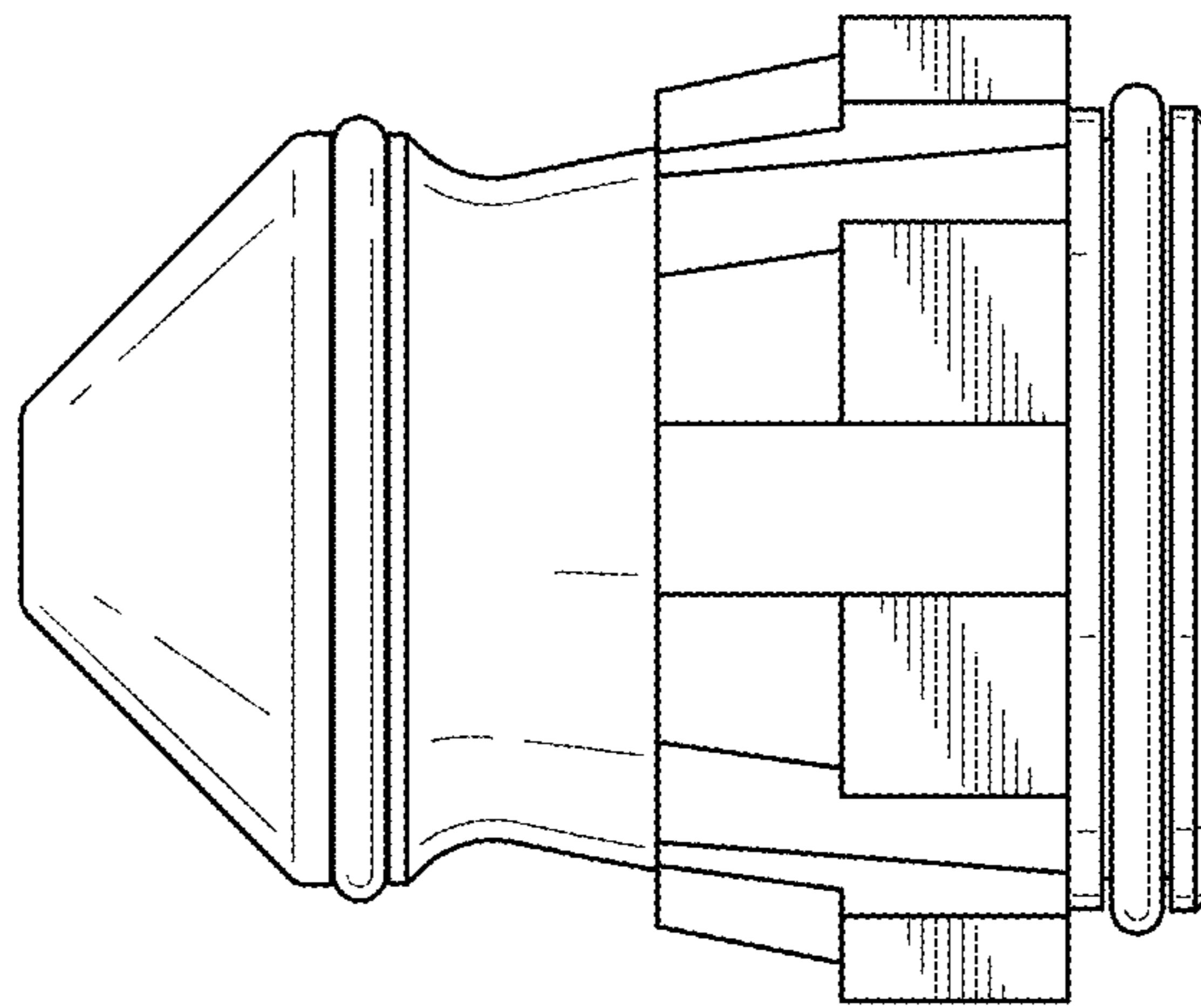


FIG. 7

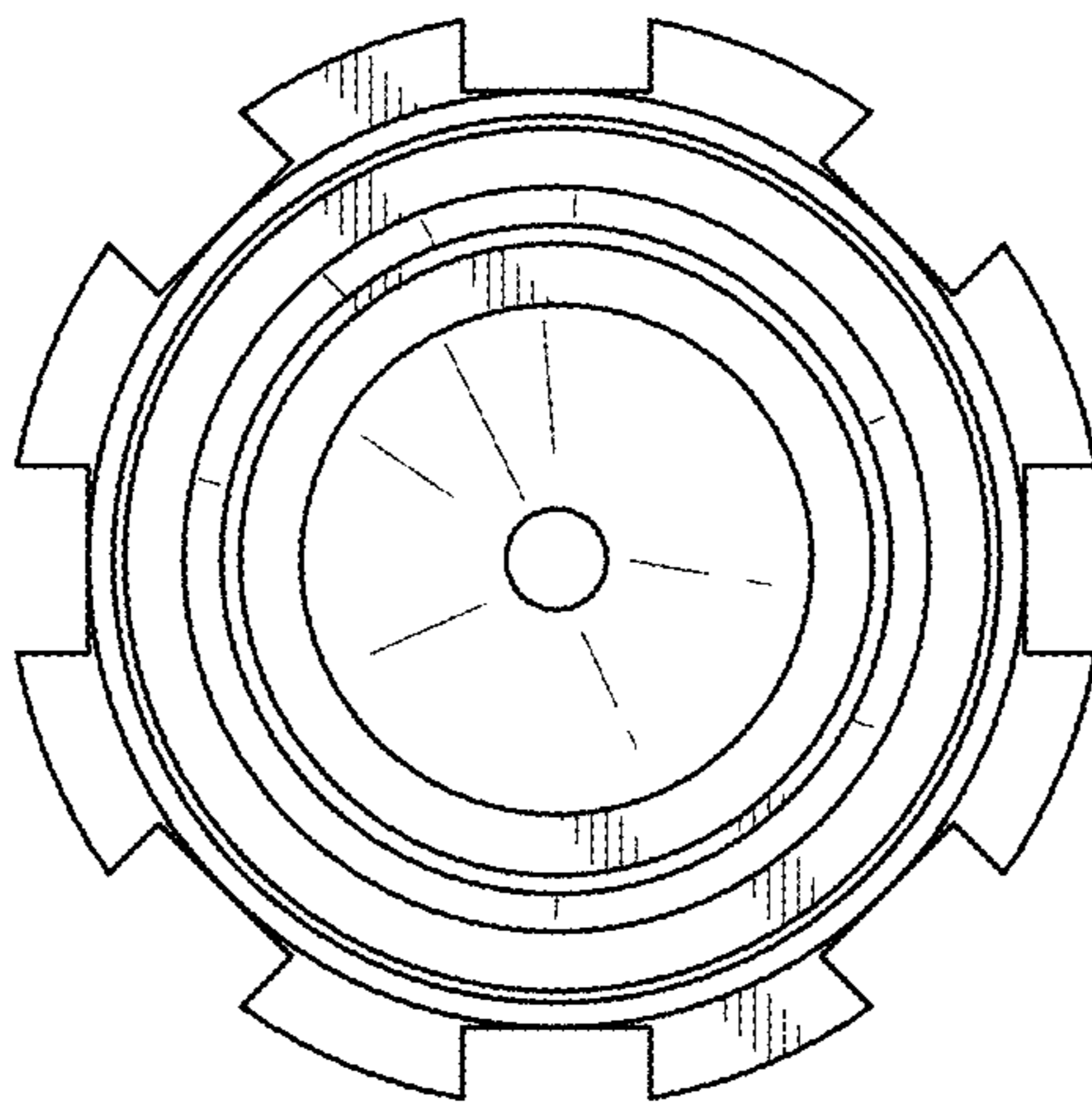


FIG. 8

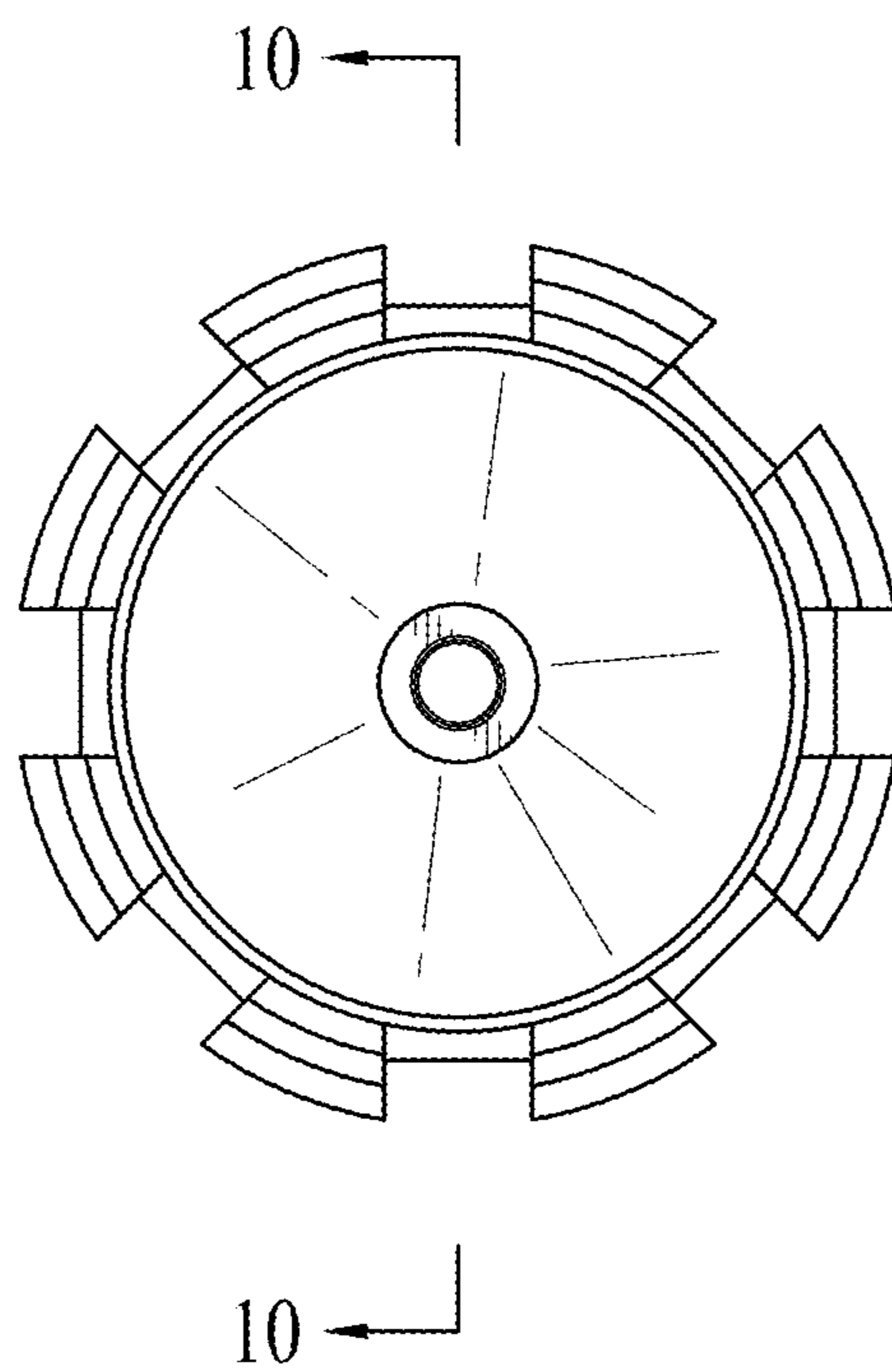


FIG. 9

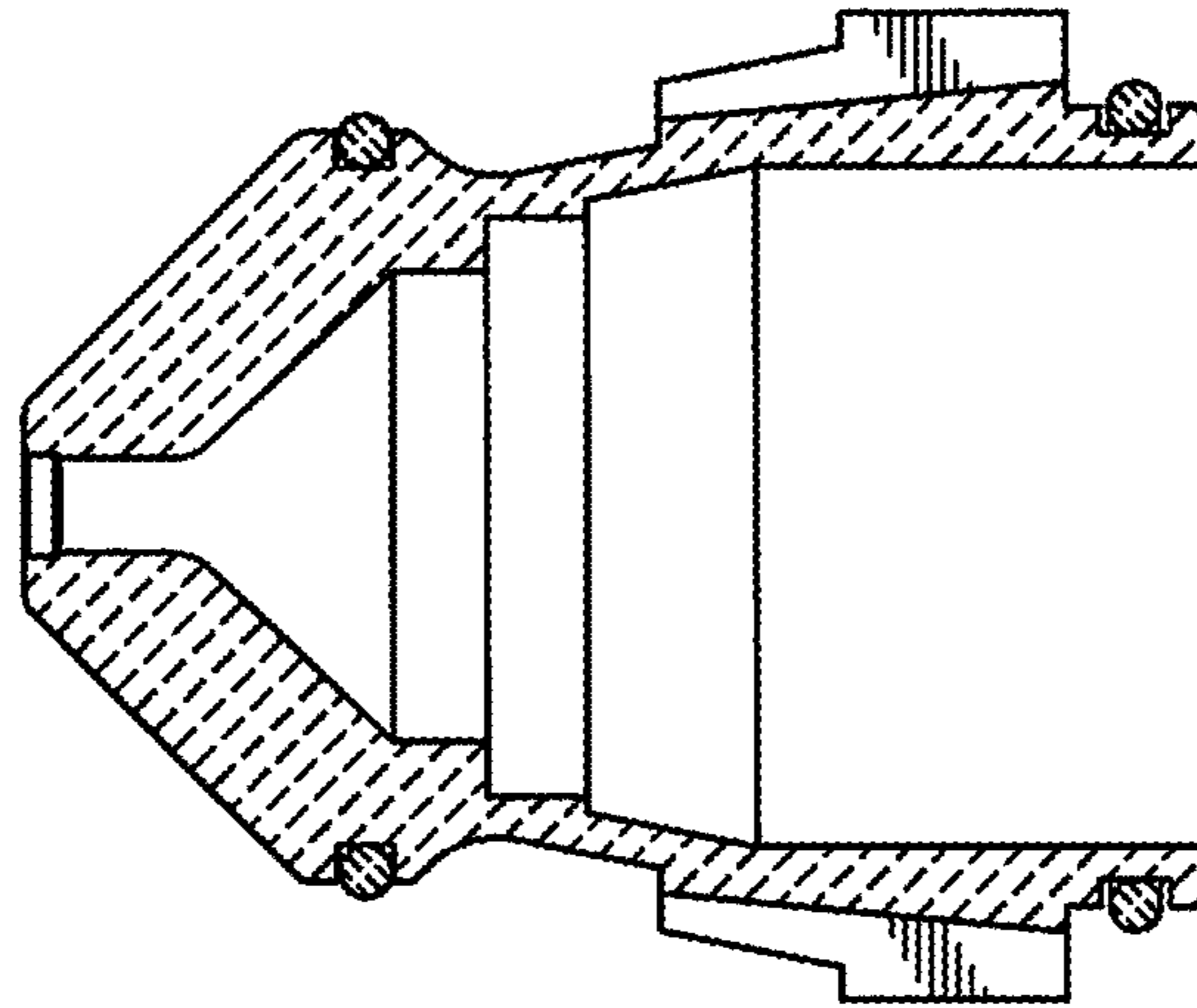


FIG. 10

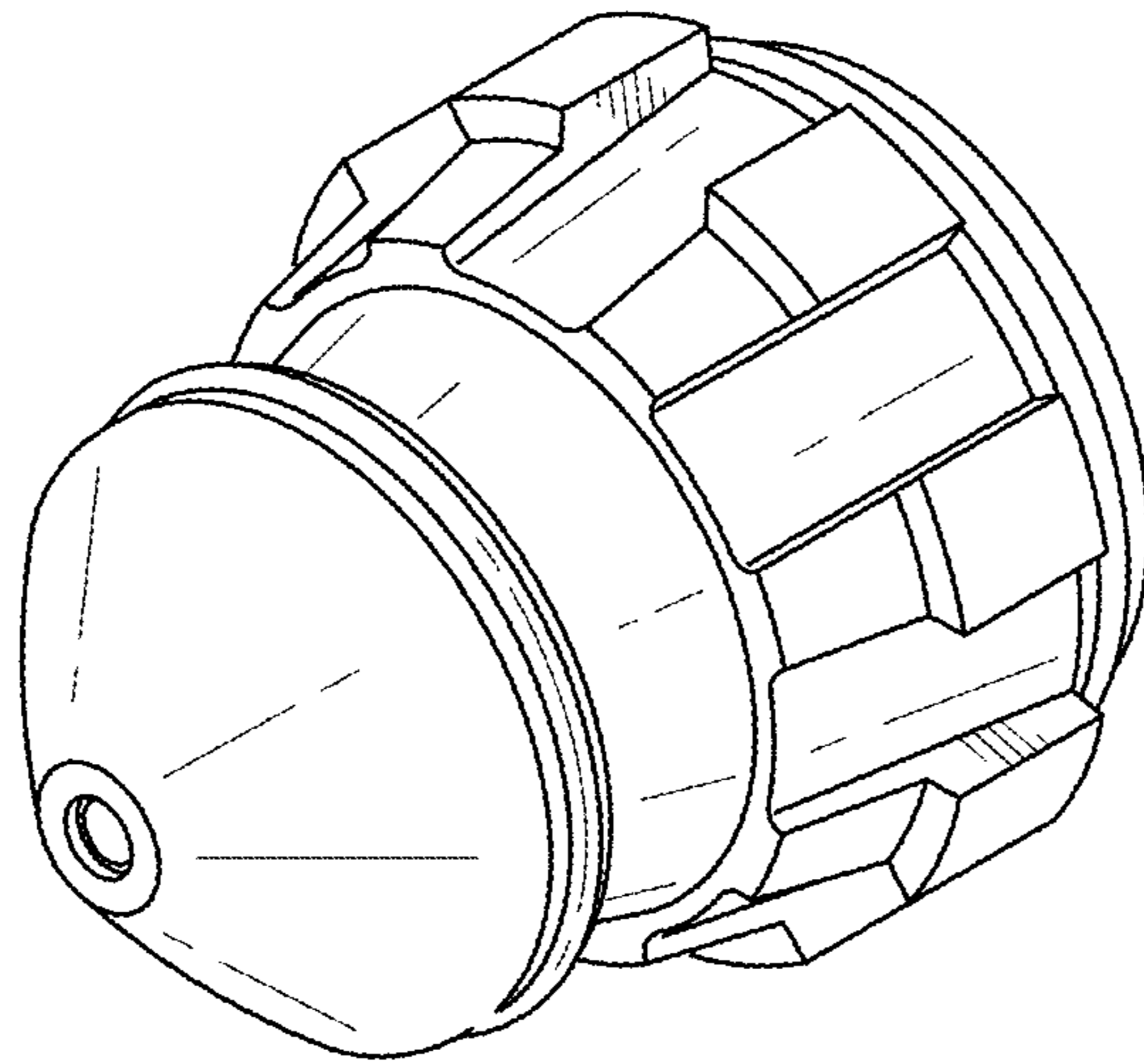


FIG. 11

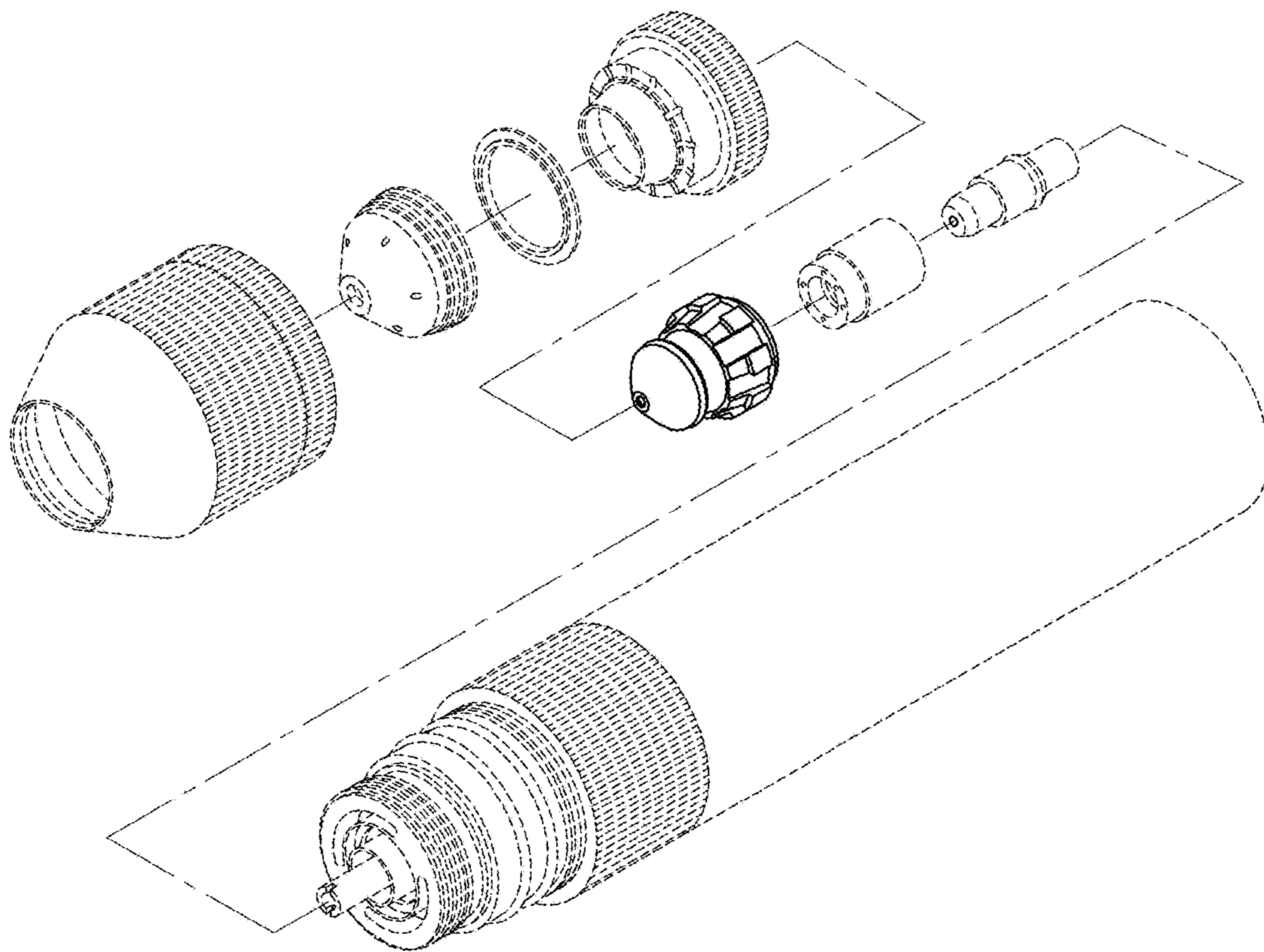


FIG. 12