



US00D775248S

(12) **United States Design Patent** (10) **Patent No.:** **US D775,248 S**  
**Avellaneda et al.** (45) **Date of Patent:** **\*\* Dec. 27, 2016**

(54) **PIPE CHUCK TEETH**  
(71) Applicant: **Roly LLC**, Chatsworth, CA (US)  
(72) Inventors: **Joel Avellaneda**, Watford City, ND (US); **Emanuel Gonzalez**, Watford City, ND (US)  
(73) Assignee: **Roly LLC**, Chatsworth, CA (US)  
(\*\*) Term: **15 Years**  
(21) Appl. No.: **29/541,675**  
(22) Filed: **Oct. 6, 2015**  
(51) **LOC (10) Cl.** ..... **15-09**  
(52) **U.S. Cl.**  
USPC ..... **D15/140; D8/70**  
(58) **Field of Classification Search**  
USPC .. D8/61-70; D15/130, 138-140; 279/61-66, 279/157, 901, 902; 408/56, 240  
CPC ..... B23B 31/02; B23B 31/14; B23B 31/18; B23B 31/16275  
See application file for complete search history.

(56) **References Cited**  
U.S. PATENT DOCUMENTS  
4,353,561 A \* 10/1982 Peterson ..... B23B 31/16275 269/134  
D268,414 S \* 3/1983 Cleary ..... D15/130  
D272,828 S \* 2/1984 Negoro ..... D15/140  
4,530,507 A \* 7/1985 Lee, Jr. .... B23B 31/16275 279/123  
4,872,691 A \* 10/1989 Rohm ..... B23B 31/16245 279/110  
5,071,145 A \* 12/1991 Brook ..... B23B 31/16275 279/123  
5,183,272 A \* 2/1993 Tyvela ..... B23B 31/00 279/156

5,197,748 A \* 3/1993 Wu ..... B23B 31/16254 279/121  
5,236,207 A \* 8/1993 Ramunas et al. . B23B 31/16283 279/123  
5,791,661 A \* 8/1998 Reyes ..... B23B 31/1627 279/123

(Continued)

**OTHER PUBLICATIONS**

“HOUSTEX 2015.” Fabricating and Metalworking., Feb. 23, 2015 [online], [retrieved on Oct. 12, 2016]. Retrieved from the Internet <URL: <http://www.fabricatingandmetalworking.com/2015/02/houstex-2015/3/>>.\*

(Continued)

*Primary Examiner* — Darlington Ly  
(74) *Attorney, Agent, or Firm* — Kelly & Kelley, LLP

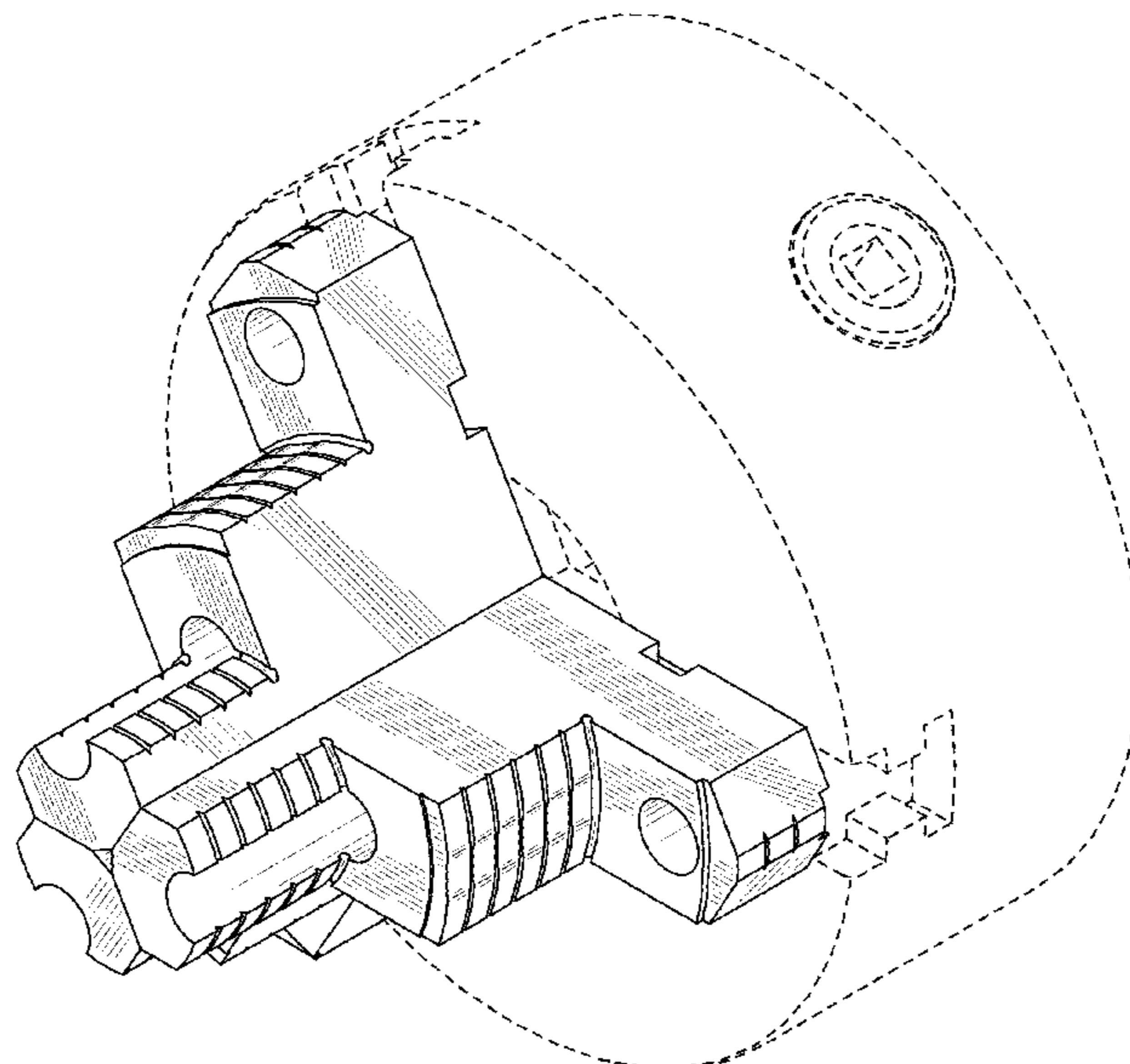
(57) **CLAIM**

The ornamental design for a pipe chuck teeth, as shown and described.

**DESCRIPTION**

FIG. 1 is a front, top, and right side perspective view of the pipe chuck teeth;  
FIG. 2 is a rear, top, and left side perspective view of the pipe chuck teeth;  
FIG. 3 is a left side view of the pipe chuck teeth;  
FIG. 4 is a right side view of the pipe chuck teeth;  
FIG. 5 is a top view of the pipe chuck teeth;  
FIG. 6 is a bottom view of the pipe chuck teeth;  
FIG. 7 is a front view of the pipe chuck teeth; and,  
FIG. 8 is a rear view of the pipe chuck teeth.  
The broken lines in the drawings illustrate features of the pipe chuck teeth and environmental structure of a pipe chuck that forms no part of the claimed design.

**1 Claim, 8 Drawing Sheets**



(56)

**References Cited**

U.S. PATENT DOCUMENTS

5,979,914 A \* 11/1999 Reyes ..... B23B 31/16275  
279/123  
5,984,321 A \* 11/1999 Gruttadauria ..... B23B 31/16275  
279/123  
D431,040 S \* 9/2000 Makabe ..... D15/140  
6,478,311 B1 \* 11/2002 Hinson ..... B23B 31/16275  
279/123  
D648,762 S \* 11/2011 Mack ..... D15/140  
D665,242 S \* 8/2012 Wackwitz ..... D15/140  
2002/0038939 A1 \* 4/2002 Fitzpatrick ..... B23B 31/102  
279/124  
2006/0082075 A1 \* 4/2006 Gatton ..... B23B 31/14  
279/129  
2009/0160140 A1 \* 6/2009 Puppala ..... B23B 31/02  
279/157  
2011/0277602 A1 \* 11/2011 Kobayasi ..... B23B 31/16279  
82/117  
2012/0200049 A1 \* 8/2012 Taglang ..... B23B 31/18  
279/37  
2013/0205957 A1 \* 8/2013 Karlein ..... B23B 31/16  
82/142

2014/0125016 A1 \* 5/2014 Stafford ..... B23B 31/16275  
279/123  
2014/0191479 A1 \* 7/2014 Svensson ..... B23B 31/16279  
279/124  
2016/0158846 A1 \* 6/2016 Gardner ..... B23B 25/04  
82/152

OTHER PUBLICATIONS

“Sharp 100 mm 3 Jaw Self Centering Lathe Chuck.” Chronos Ltd., Aug. 22, 2012 [online], [retrieved on Oct. 12, 2016]. Retrieved from the Internet <URL: [http://www.chronos.ltd.uk/acatalog/info\\_1013100.html](http://www.chronos.ltd.uk/acatalog/info_1013100.html)>.\*  
“How to: 4 Jaw chuck.—Clutch basket re-tooth.” Occhio Loungo., Apr. 19, 2010 [online], [retrieved on Oct. 12, 2016]. Retrieved from the Internet <URL: <https://occhiolungo.wordpress.com/2010/04/19/how-to-4-jaw-chuck-clutch-basket-re-tooth/>>.\*  
“Selection of Chucks.” Airtech., Jun. 3, 2009 [online], [retrieved on Oct. 12, 2016]. Retrieved from the Internet <URL: <http://www.airtechindia.com/faq.html>>.\*

\* cited by examiner

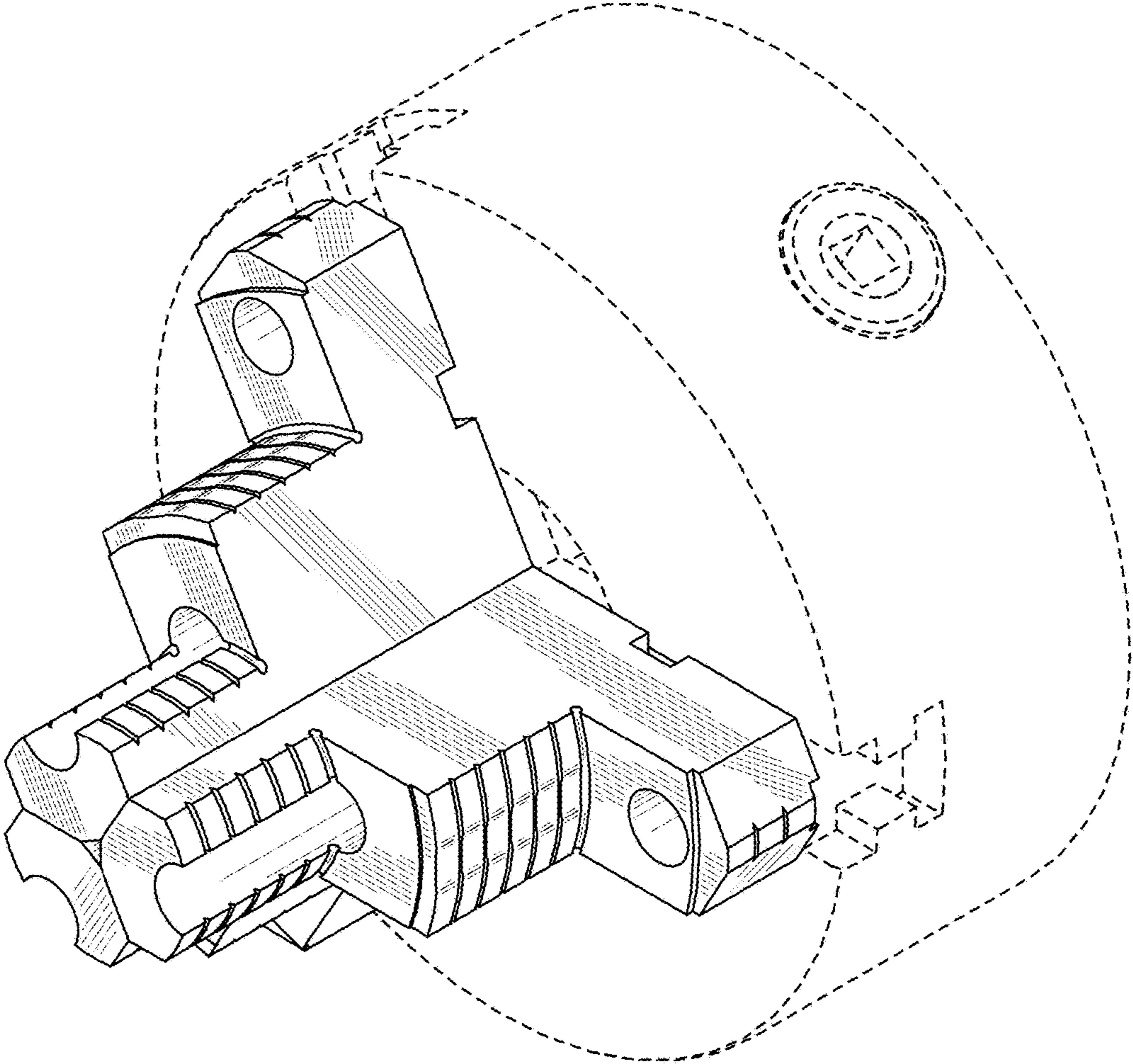


FIG. 1

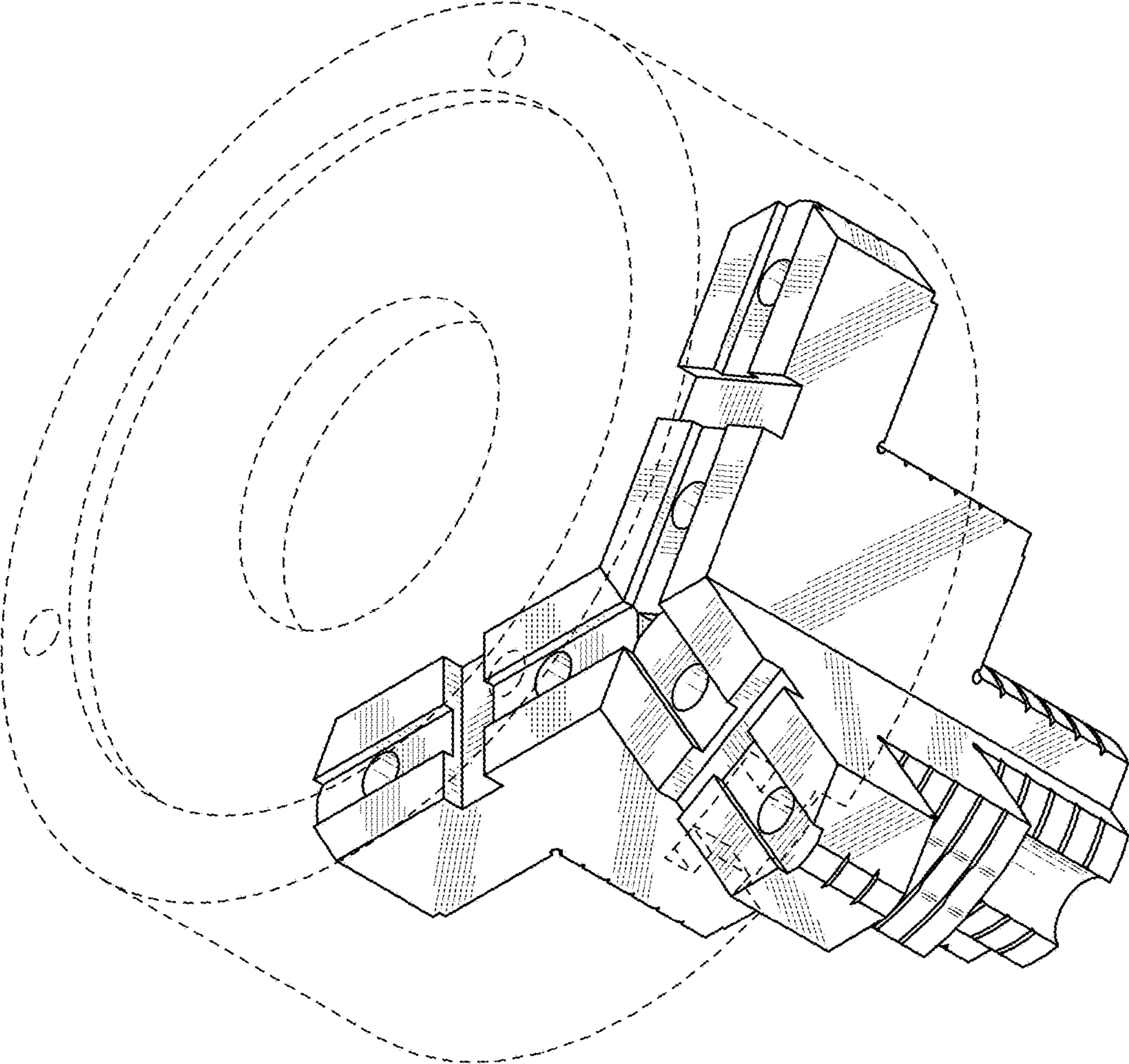


FIG. 2

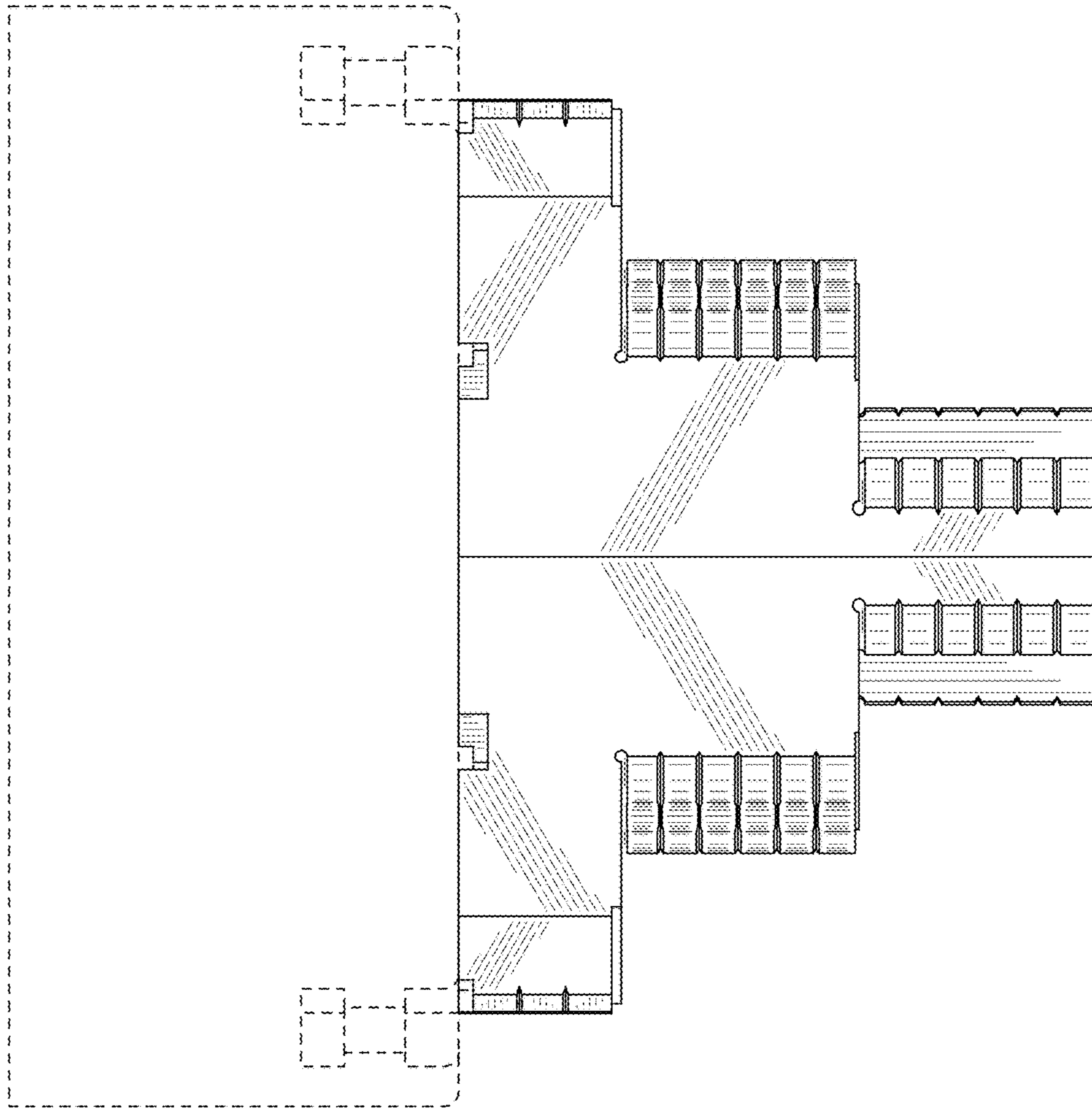


FIG. 3

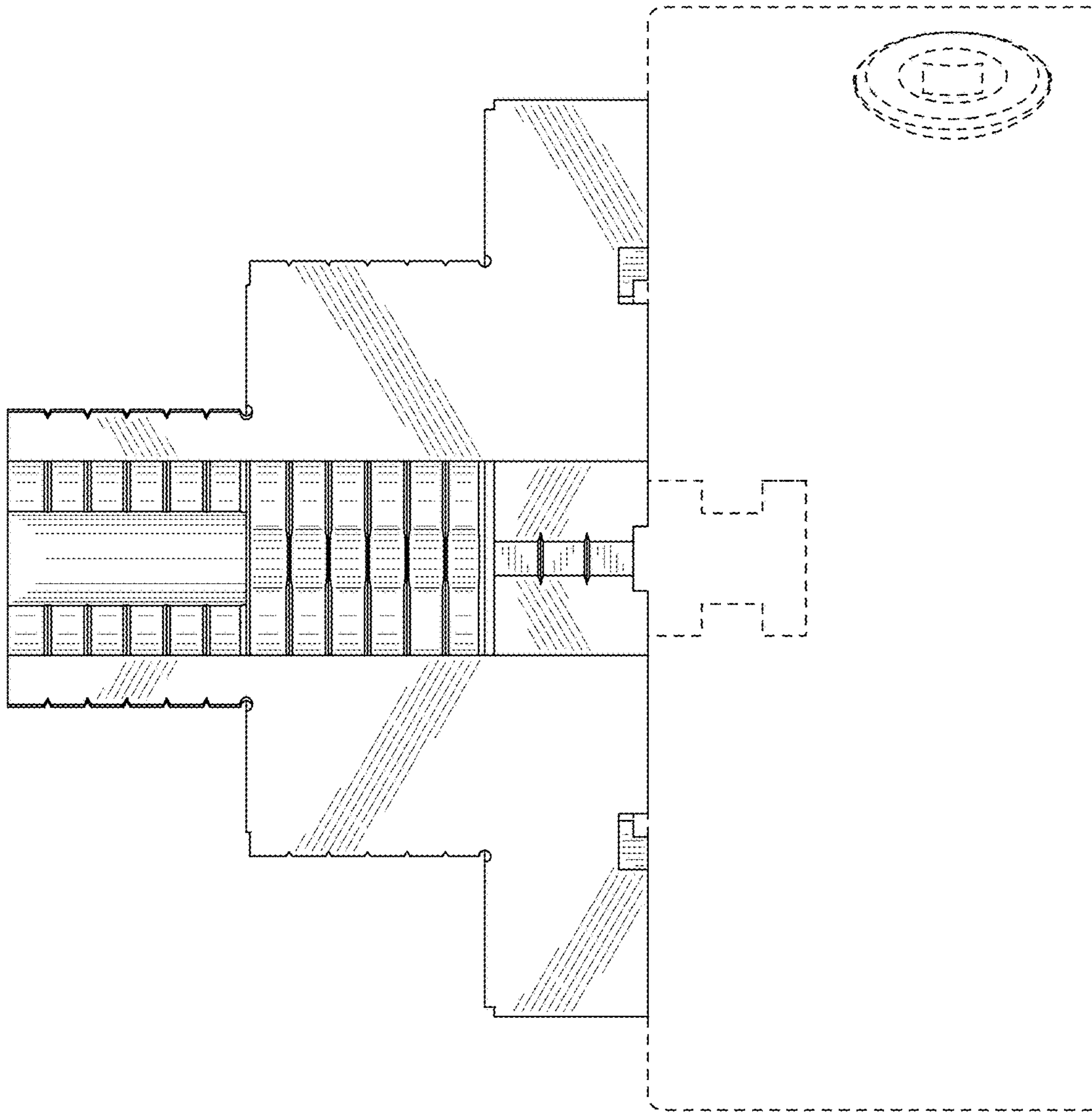


FIG. 4

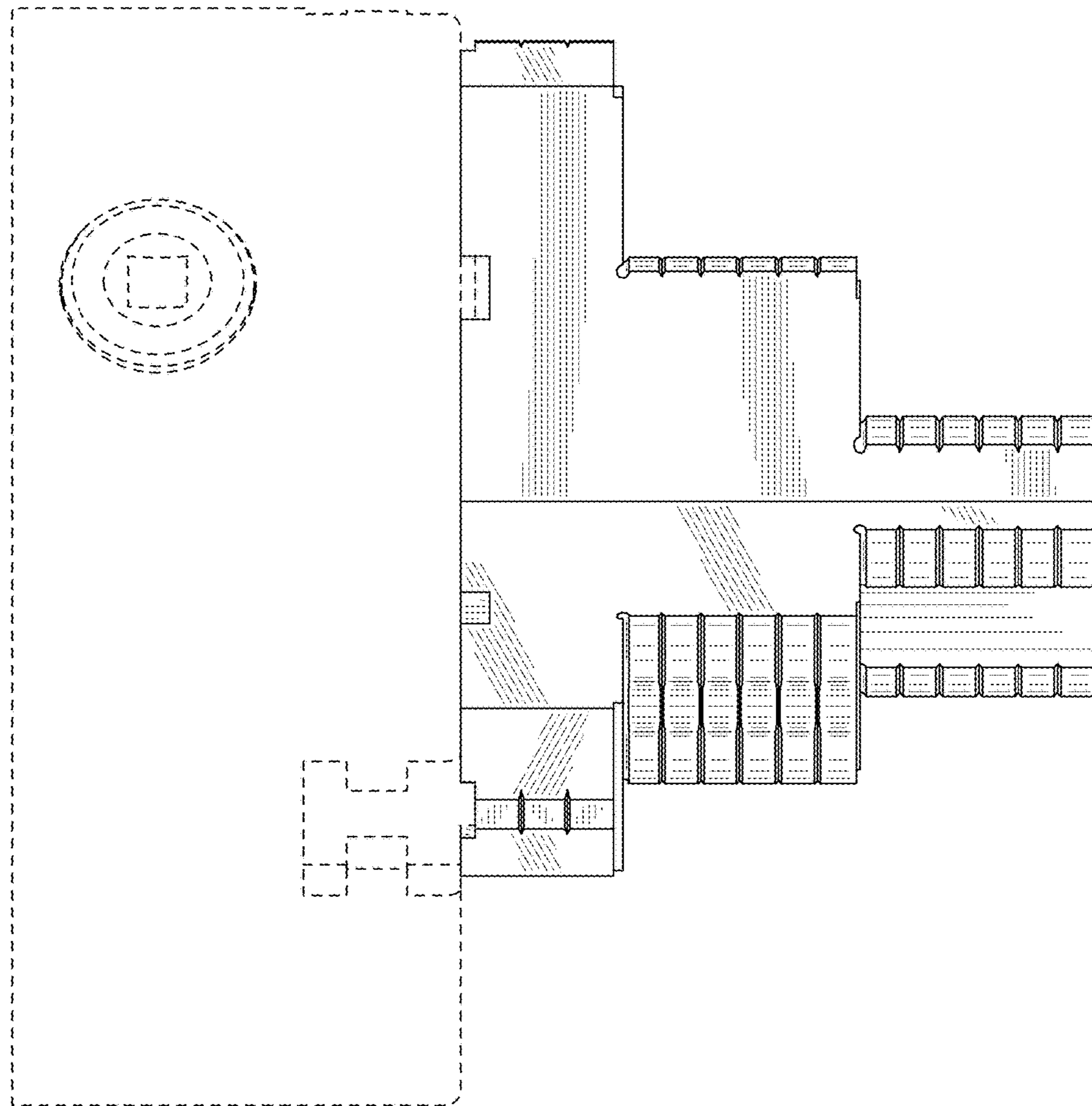


FIG. 5

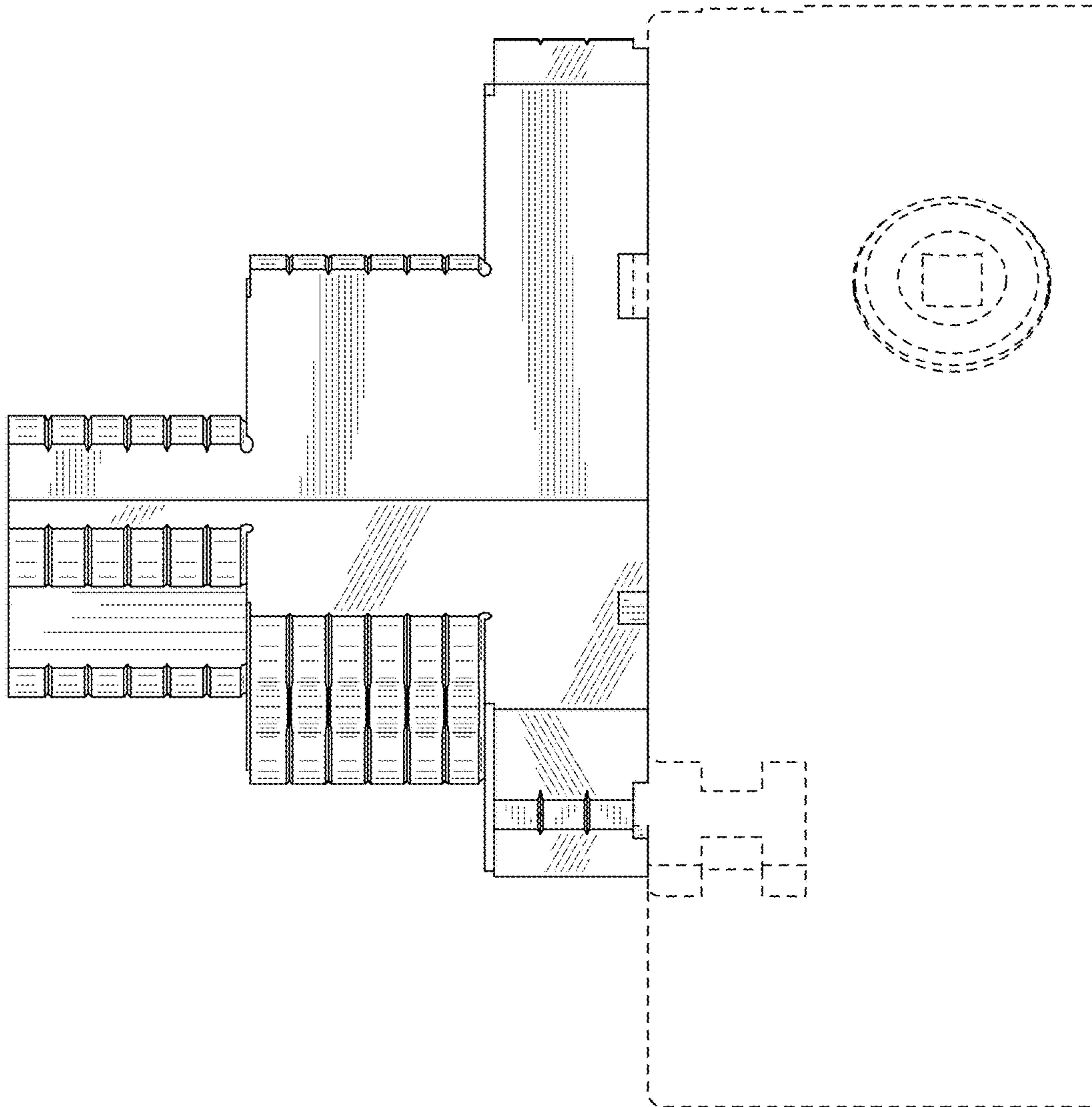


FIG. 6



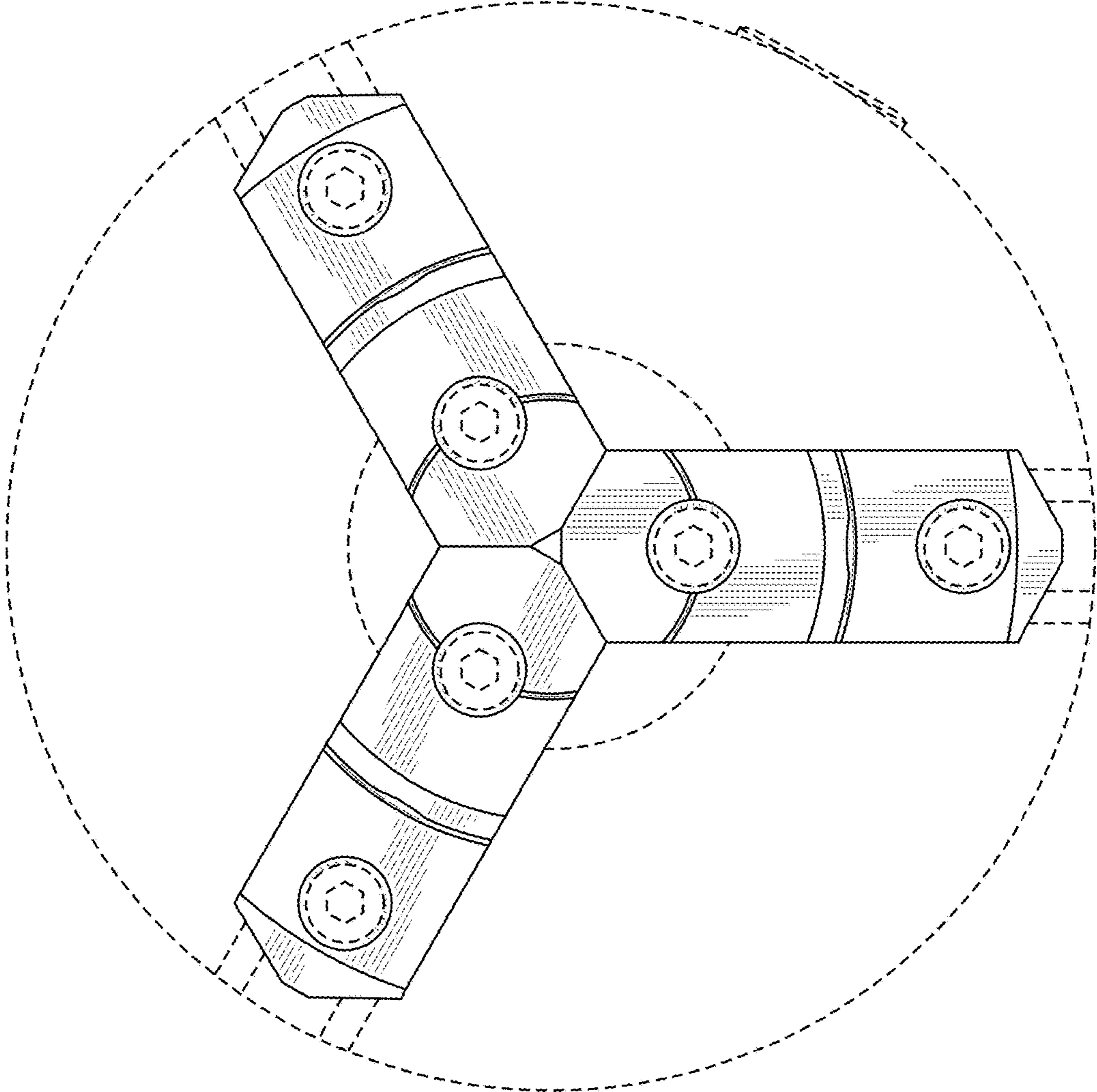


FIG. 7

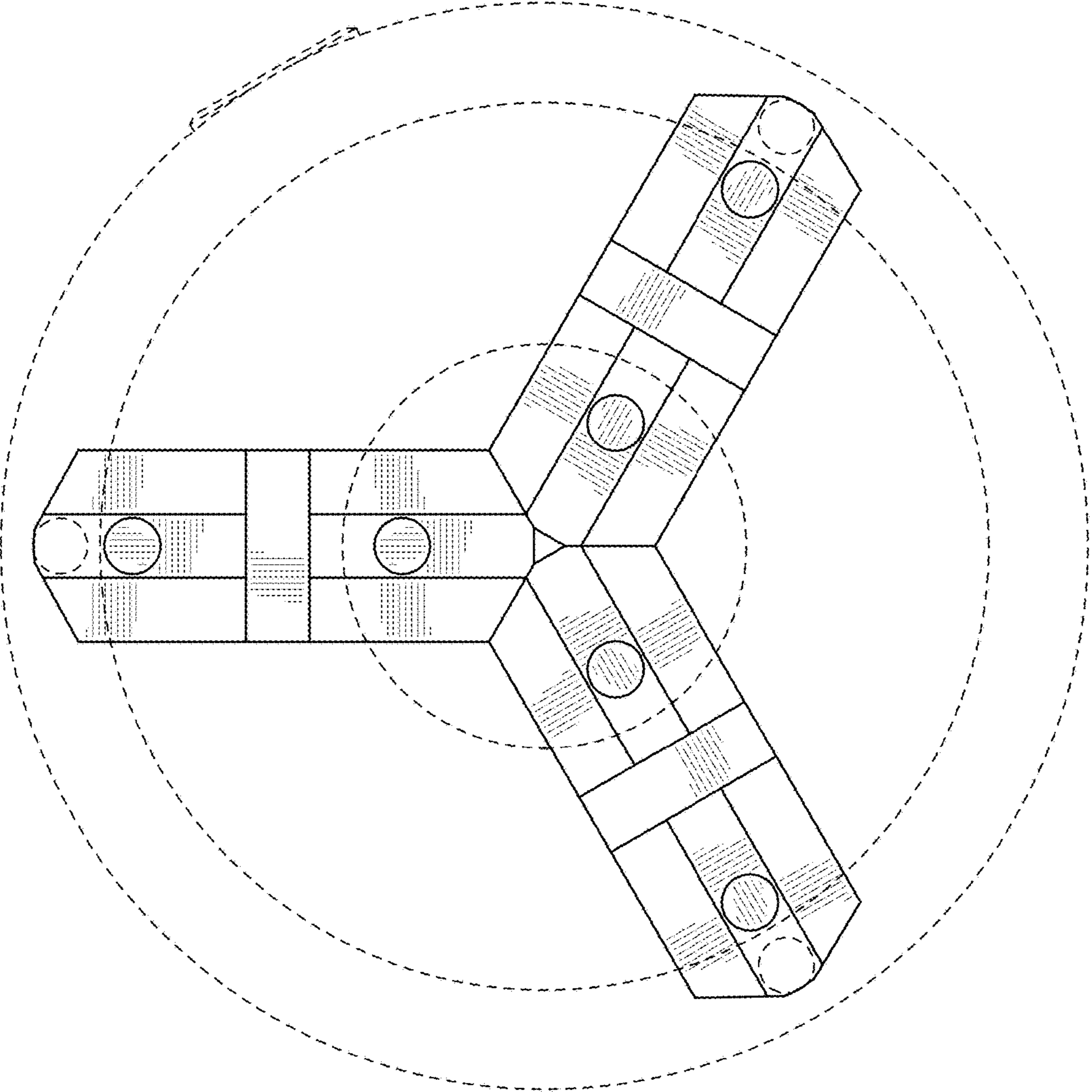


FIG. 8