



US00D775245S

(12) **United States Design Patent**
Seo et al.

(10) **Patent No.:** **US D775,245 S**
(45) **Date of Patent:** **** Dec. 27, 2016**

(54) **WINE REFRIGERATOR**

2700/12;F25D 17/042; F25D
17/062; F25D 2317/063

(71) Applicant: **LG ELECTRONICS INC.**, Seoul
(KR)

See application file for complete search history.

(72) Inventors: **Woonkyu Seo**, Seoul (KR); **Seonil Yu**,
Seoul (KR); **Daesung Lee**, Seoul (KR);
Seungjin Yoon, Seoul (KR); **Wonjun**
Lee, Seoul (KR)

(73) Assignee: **LG ELECTRONICS INC.**, Seoul
(KR)

(**) Term: **15 Years**

(21) Appl. No.: **29/544,543**

(22) Filed: **Nov. 4, 2015**

(30) **Foreign Application Priority Data**

Jun. 22, 2015 (KR) 30-2015-0031424

(51) **LOC (10) Cl.** **15-07**

(52) **U.S. Cl.**
USPC **D15/81**

(58) **Field of Classification Search**
USPC D15/79-91
CPC F25D 25/025; F25D 23/028; F25D 25/02;
F25D 23/04; F25D 23/067; F25D 23/02;
F25D 23/025; F25D 2323/024; F25D
23/00; F25D 25/024; F25D 11/00; F25D
2323/021; F25D 23/065; F25D 23/069;
F25D 2201/14; F25D 2323/023; F25D
25/022; F25D 25/04; F25D 29/005; F25D
17/047; F25D 17/065; F25D 2303/085;
F25D 2317/041; F25D 2317/04131; F25D
2317/043; F25D 2317/062; F25D
2317/0664; F25D 2317/067; F25D
2321/147; F25D 2323/02; F25D
2323/122; F25D 23/126; F25D 31/002;
F25D 2317/061; F25D 23/12; F25D
2400/06; F25D 11/02; F25D

(56) **References Cited**

U.S. PATENT DOCUMENTS

D453,169 S *	1/2002	Ma	D15/81
D460,466 S *	7/2002	Ma	D15/79
D512,081 S *	11/2005	Chang	D15/81
D556,792 S *	12/2007	Moran	D15/81
D567,828 S *	4/2008	Moran	D15/79
D604,340 S *	11/2009	Kim	D15/81
D711,944 S *	8/2014	Yang	D15/90

* cited by examiner

Primary Examiner — Daniel Bui

Assistant Examiner — Khawaja Anwar

(74) *Attorney, Agent, or Firm* — Dentons US LLP

(57) **CLAIM**

We claim the ornamental design for a wine refrigerator, as shown and described.

DESCRIPTION

FIG. 1 is a perspective view of a wine refrigerator showing our new design;

FIG. 2 is a front elevation view thereof;

FIG. 3 is a rear elevation view thereof;

FIG. 4 is a left-side elevation view thereof;

FIG. 5 is a right-side elevation view thereof;

FIG. 6 is a top plan view thereof;

FIG. 7 is a bottom plan view thereof; and,

FIG. 8 is a perspective view with its door opened.

The even broken lines represent an unclaimed line on the surface and form no part of the claimed design. The dash-dot-dash broken lines illustrate environmental structure and form no part of the claimed design.

1 Claim, 6 Drawing Sheets

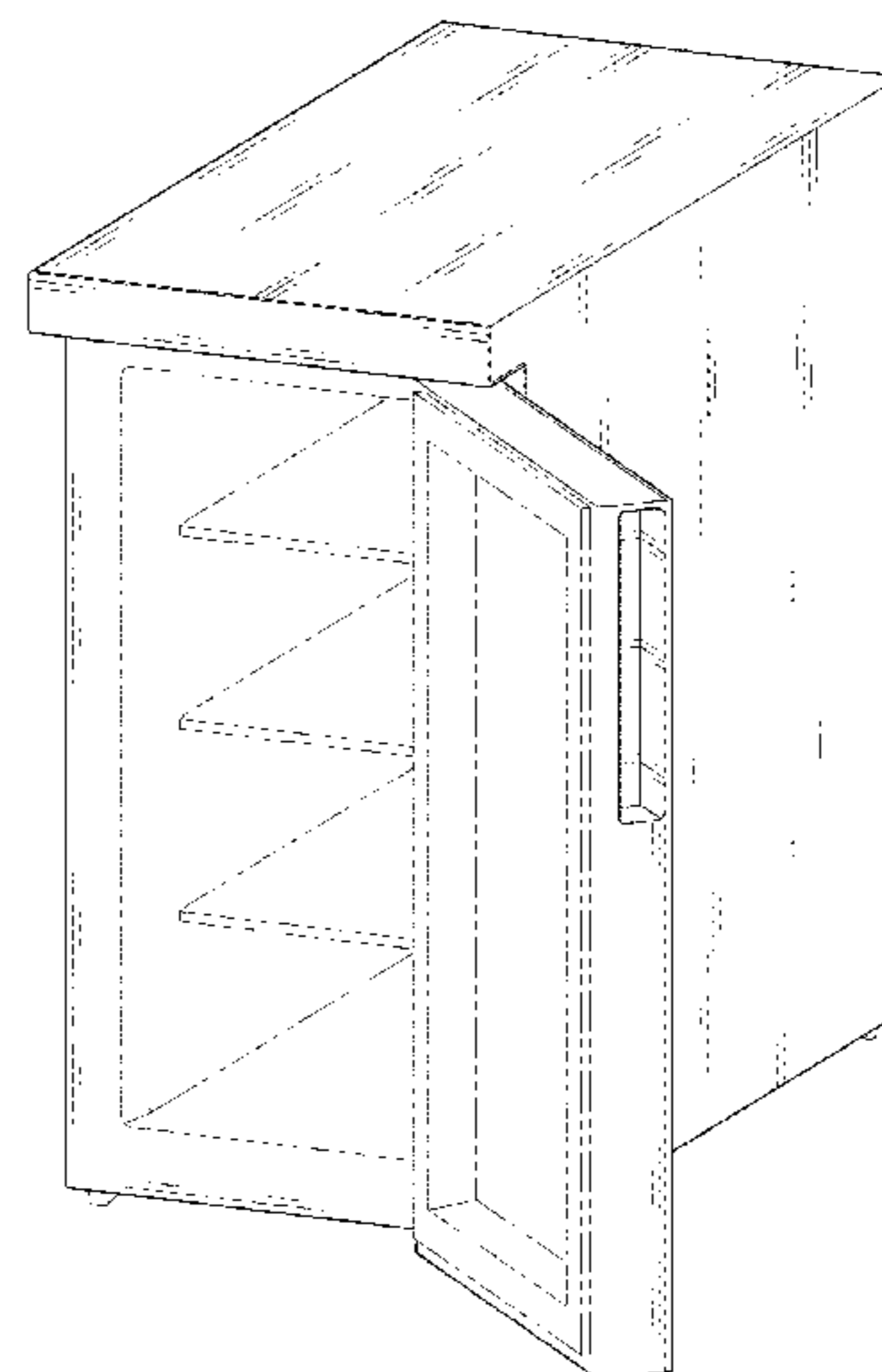
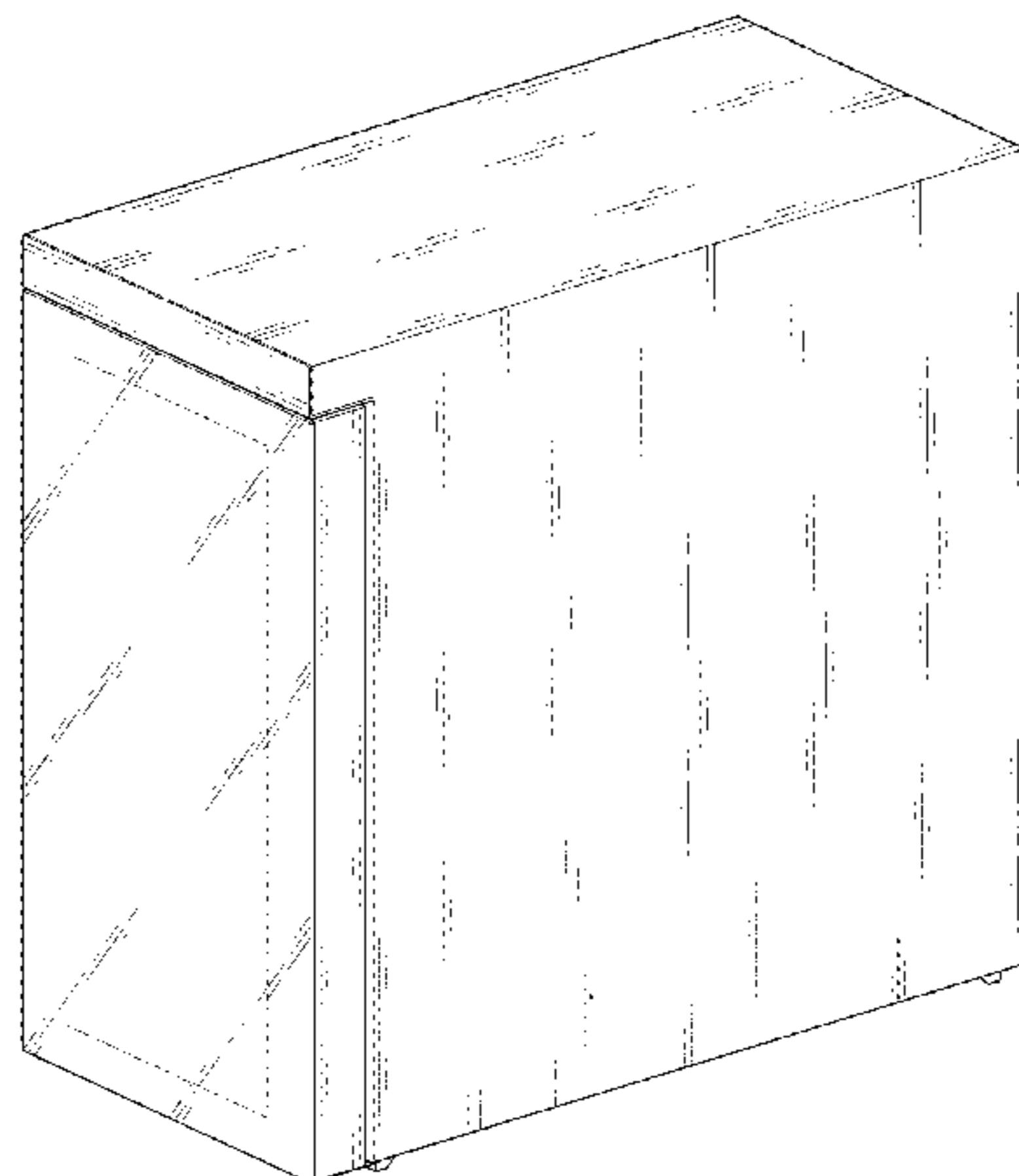


FIG. 1

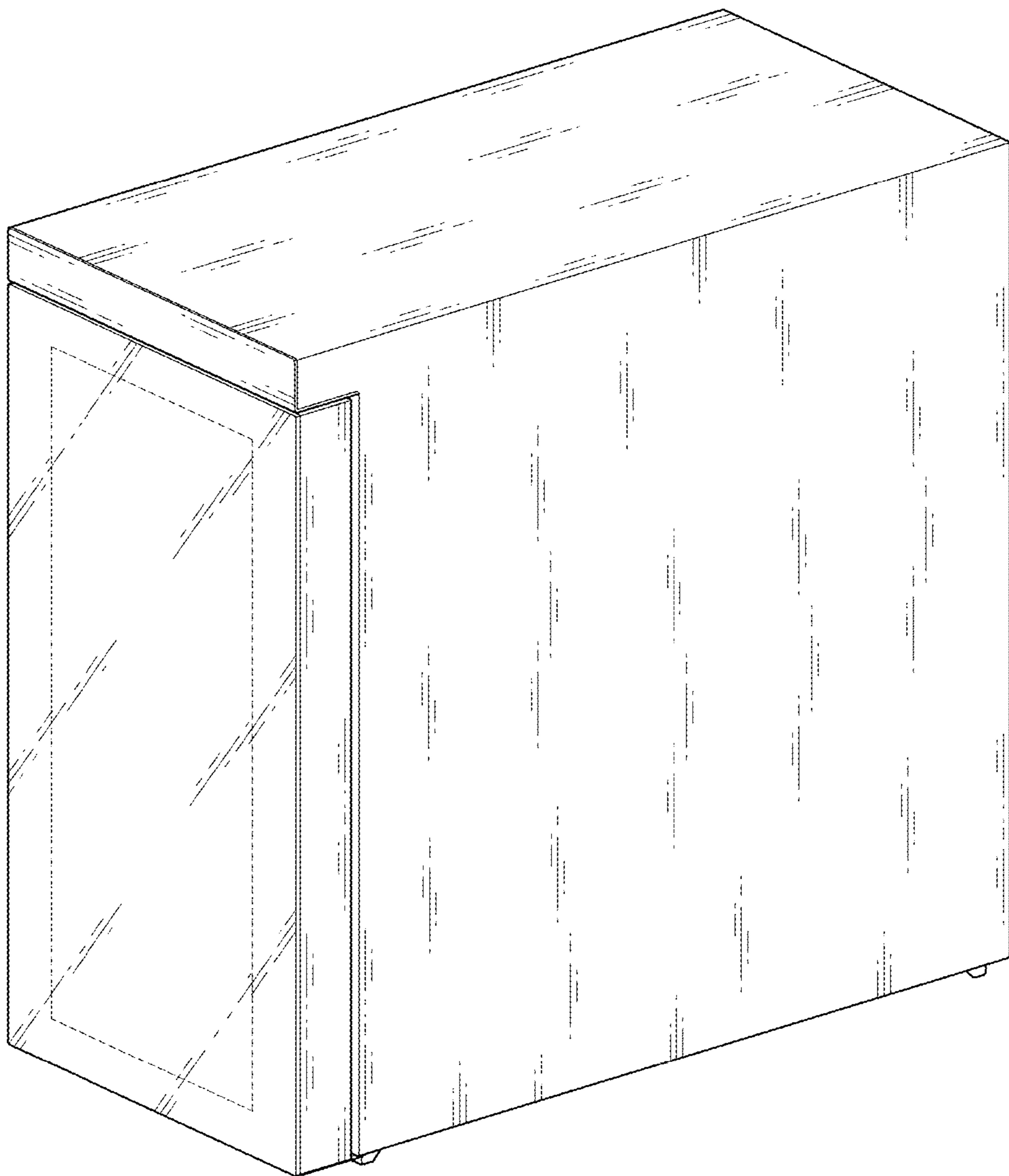


FIG.2

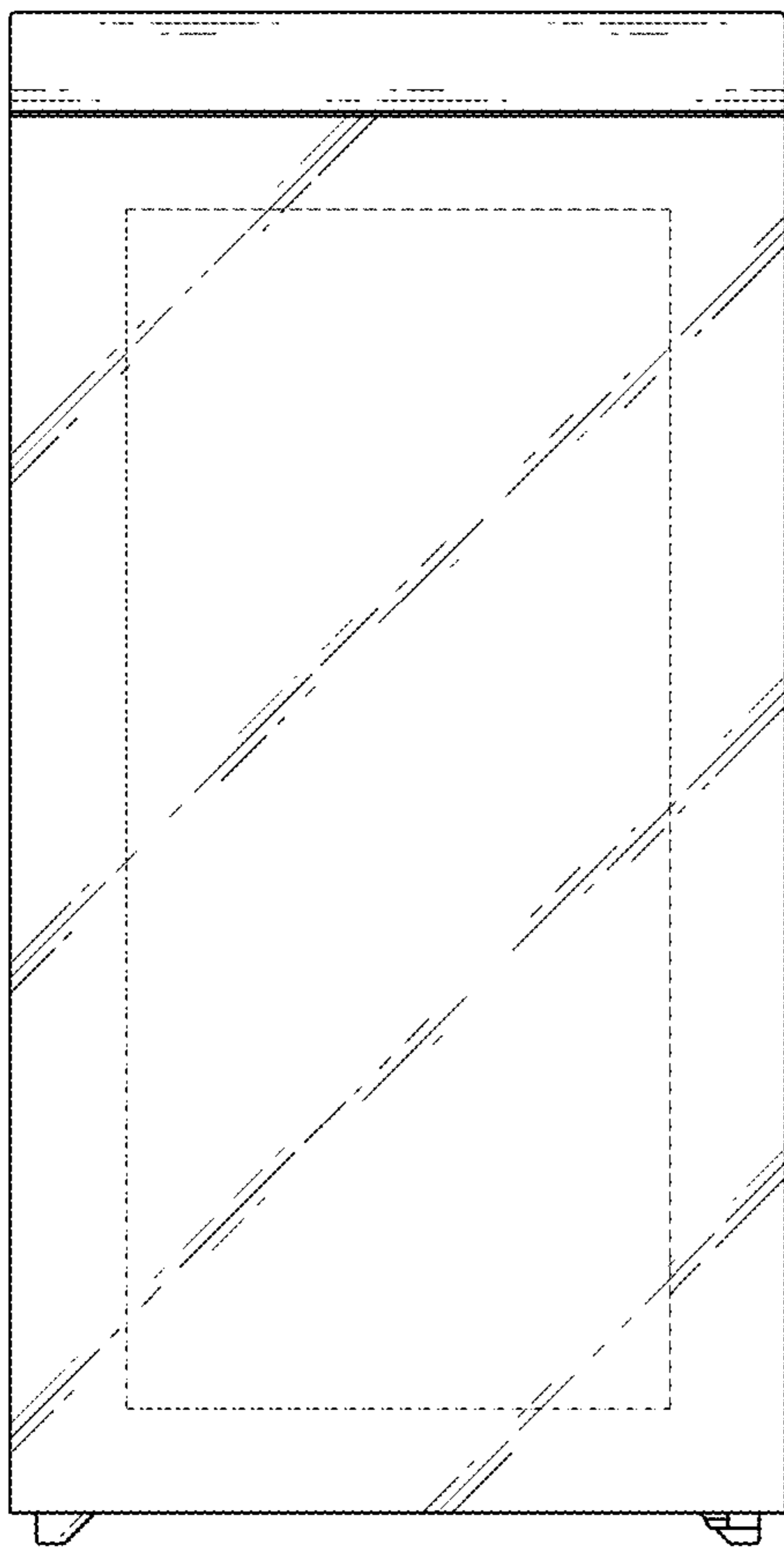


FIG.3

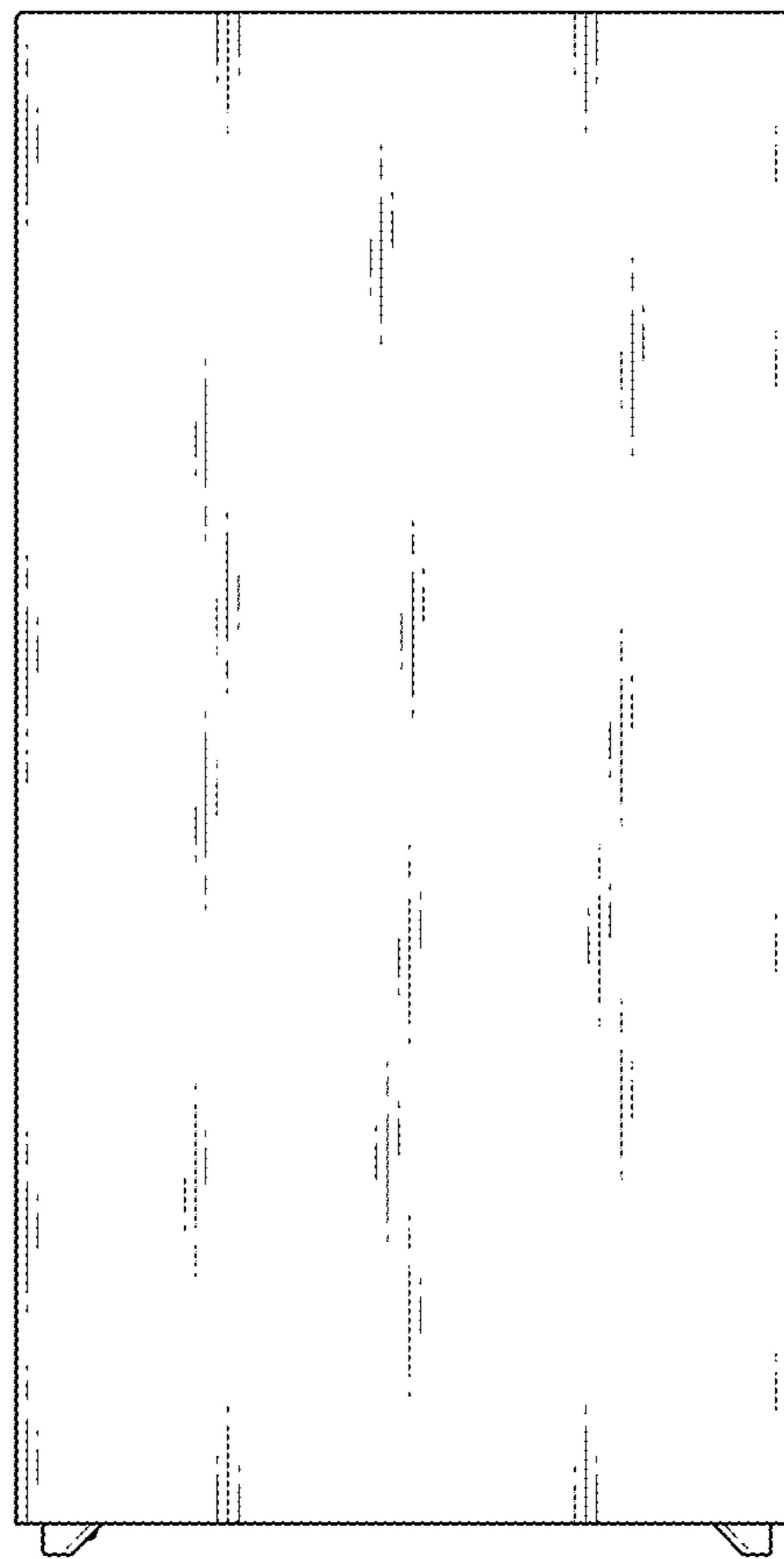


FIG. 4



FIG. 5

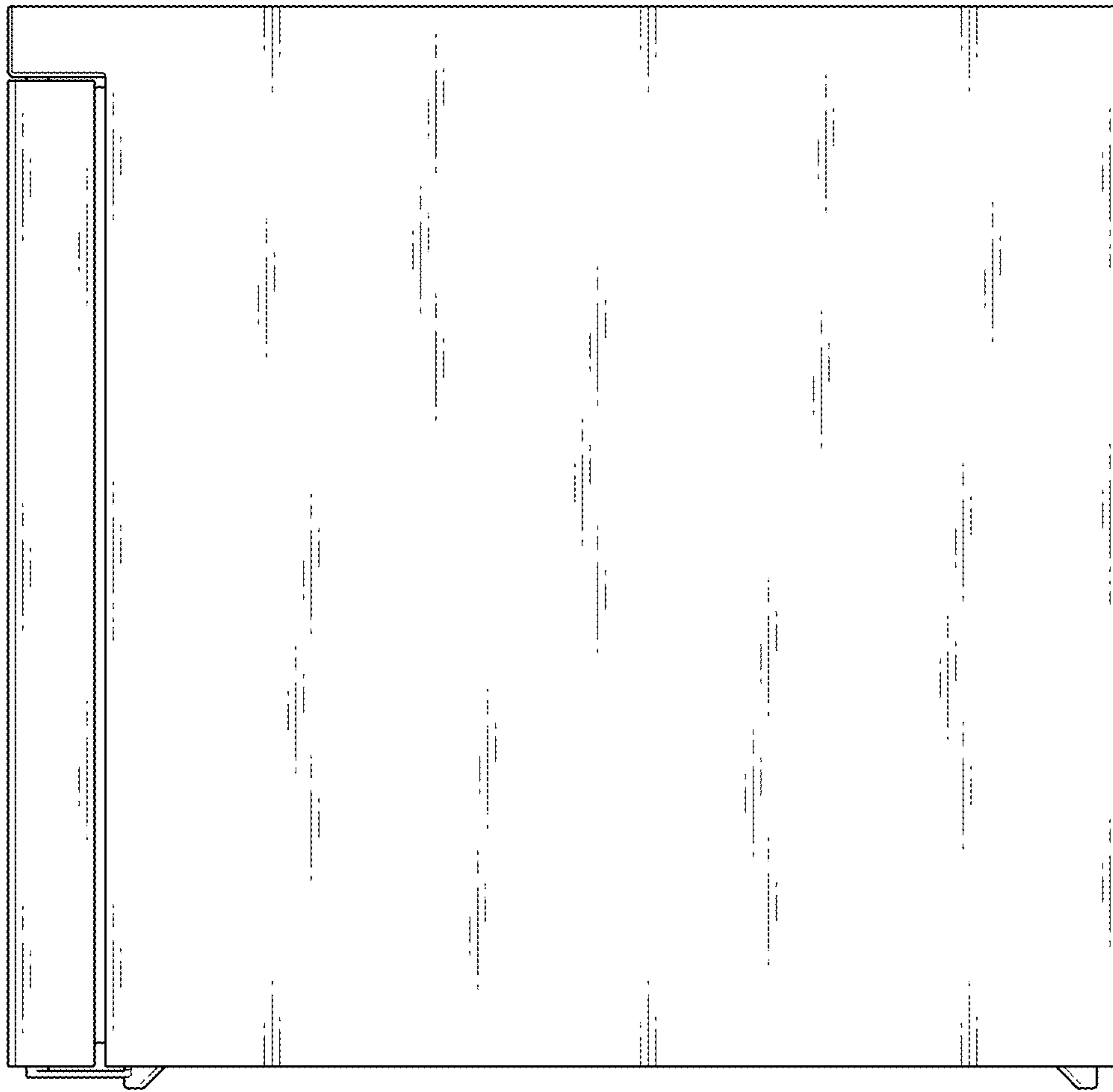


FIG. 6

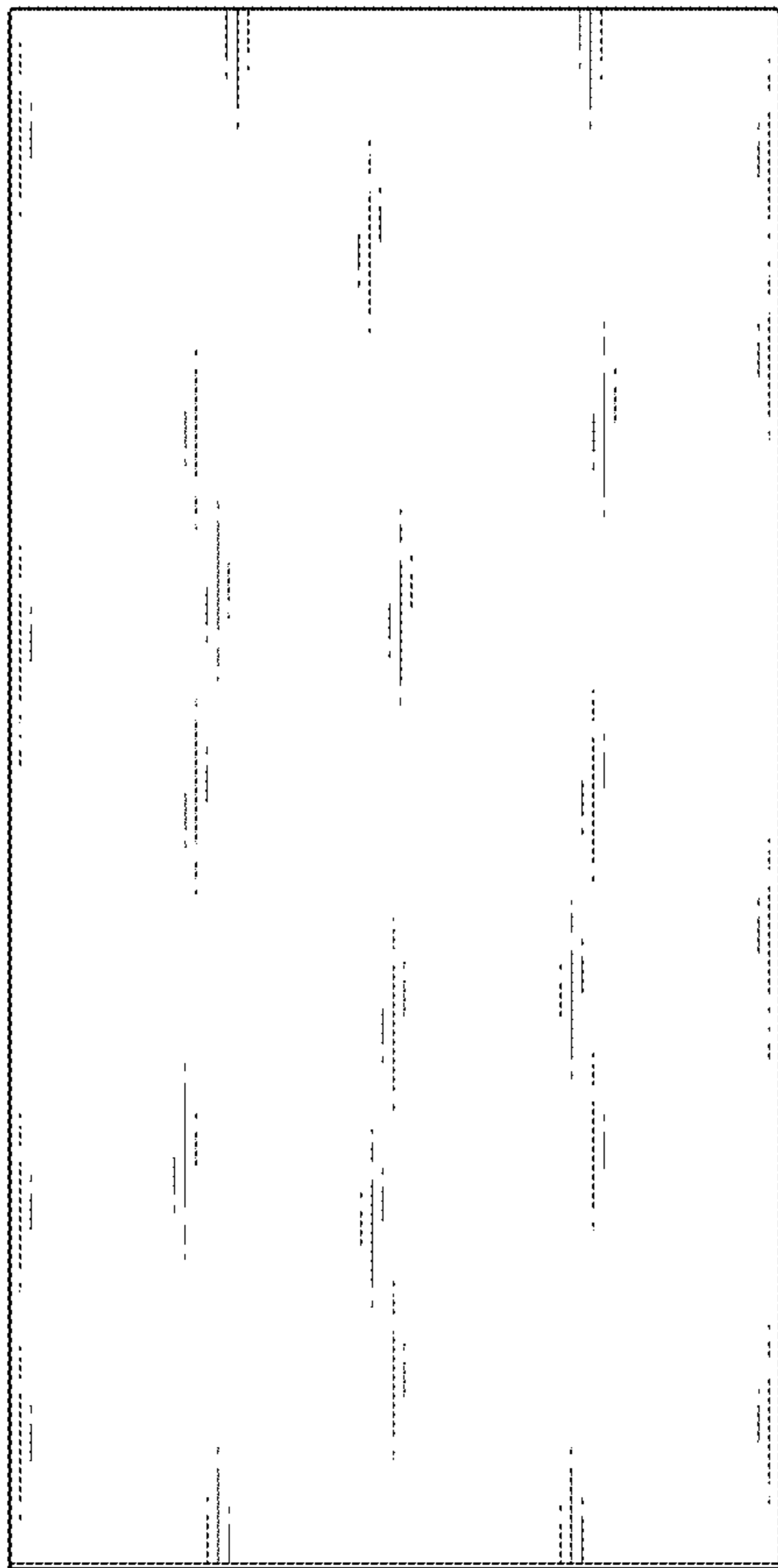


FIG. 7

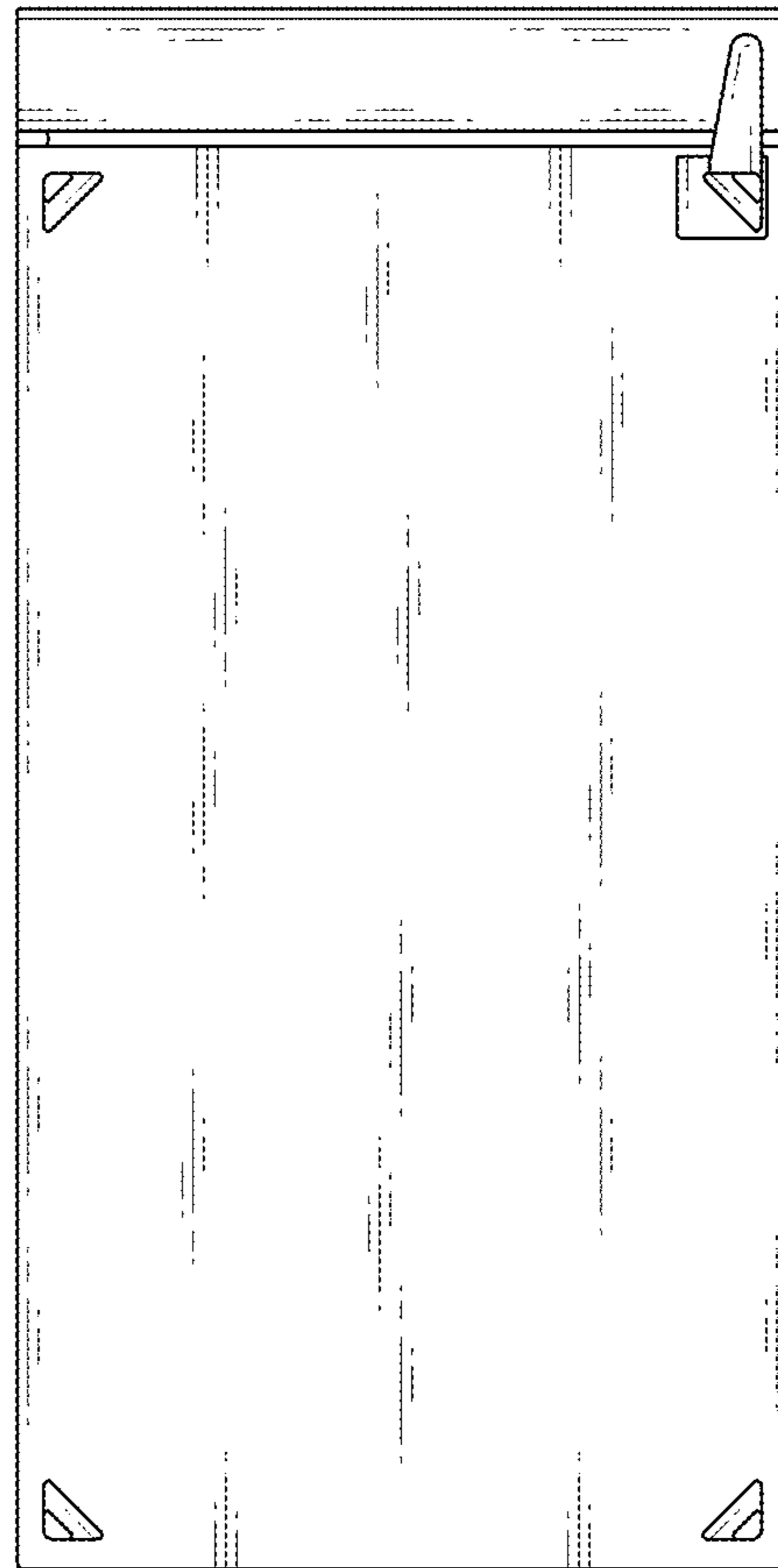


FIG. 8

