



US00D775238S

(12) **United States Design Patent**
Roemer et al.

(10) **Patent No.:** **US D775,238 S**

(45) **Date of Patent:** **** Dec. 27, 2016**

(54) **WATER TANK FOR A ROAD ROLLER**

(71) Applicant: **HAMM AG**, Tirschenreuth (DE)

(72) Inventors: **Axel Roemer**, Tirschenreuth (DE);
Detlef Bornemann, Tirschenreuth (DE);
Ulrich Ewringmann, Taufkirchen (DE);
Boris Eickhoff, Taufkirchen (DE)

(73) Assignee: **HAMM AG**, Tirschenreuth (DE)

(**) Term: **14 Years**

(21) Appl. No.: **29/521,391**

(22) Filed: **Mar. 23, 2015**

(30) **Foreign Application Priority Data**

Sep. 24, 2014 (EM) 001421473-0008

(51) **LOC (10) Cl.** **15-03**

(52) **U.S. Cl.**
USPC **D15/28; D12/218**

(58) **Field of Classification Search**
USPC D12/110, 197, 218, 223; D9/435-454;
180/69.4, 219, 225; 220/4.14, 86.2, 288,
220/560.04, DIG. 33; 280/833-835
CPC B60K 15/03; B60K 15/07; B62J 35/00;
B62K 11/00; B62K 11/04
See application file for complete search history.

(56) **References Cited**

U.S. PATENT DOCUMENTS

D379,995 S * 6/1997 Gilmore D15/1
D435,503 S * 12/2000 Gukeisen D12/218

D440,982 S * 4/2001 Knight D15/23
D441,710 S * 5/2001 Moehle D12/218
D500,055 S * 12/2004 Bieker D15/28
D588,054 S * 3/2009 Xi-Ren D12/218
7,520,411 B2 * 4/2009 Bieker B60P 3/426
169/24
D604,686 S * 11/2009 Yan D12/218
D623,720 S * 9/2010 Brown D23/211.1
D663,325 S * 7/2012 Thunstrom D15/13
D673,587 S * 1/2013 Truan D15/28
D690,740 S * 10/2013 Gonzales D15/28
D739,805 S * 9/2015 Isono D12/218

* cited by examiner

Primary Examiner — Darlington Ly

(74) *Attorney, Agent, or Firm* — Greer, Burns & Crain,
Ltd.

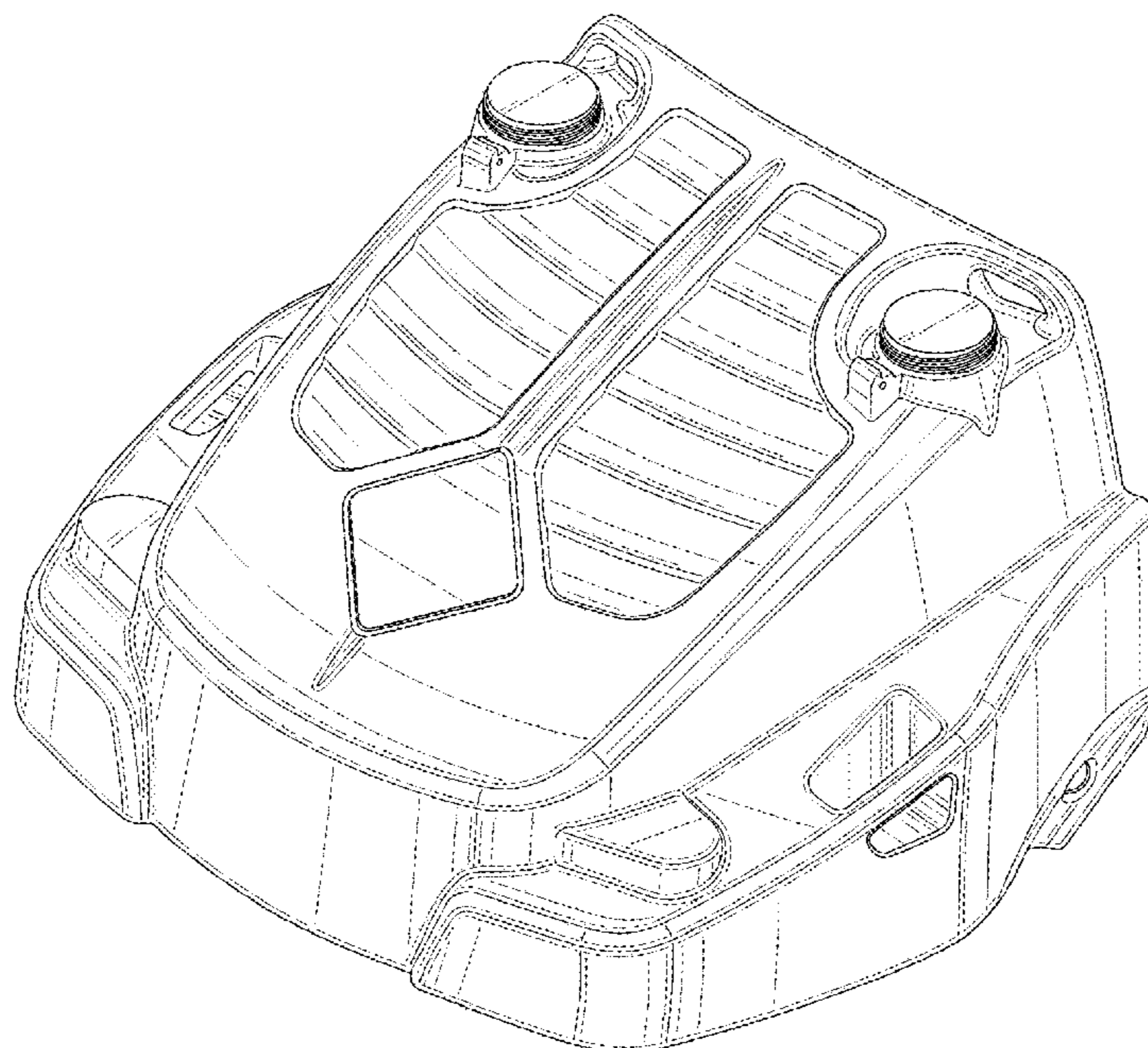
(57) **CLAIM**

The ornamental design for a water tank for a road roller, as shown and described.

DESCRIPTION

FIG. 1 is a top and front perspective view of the water tank for a road roller showing our new design;
FIG. 2 is a front elevation view thereof;
FIG. 3 is a top plan view thereof;
FIG. 4 is a right side elevation view thereof; and,
FIG. 5 is a left side elevation view thereof.
The structure shown in broken lines is for environment purposes only and does not form part of the claimed invention.

1 Claim, 5 Drawing Sheets



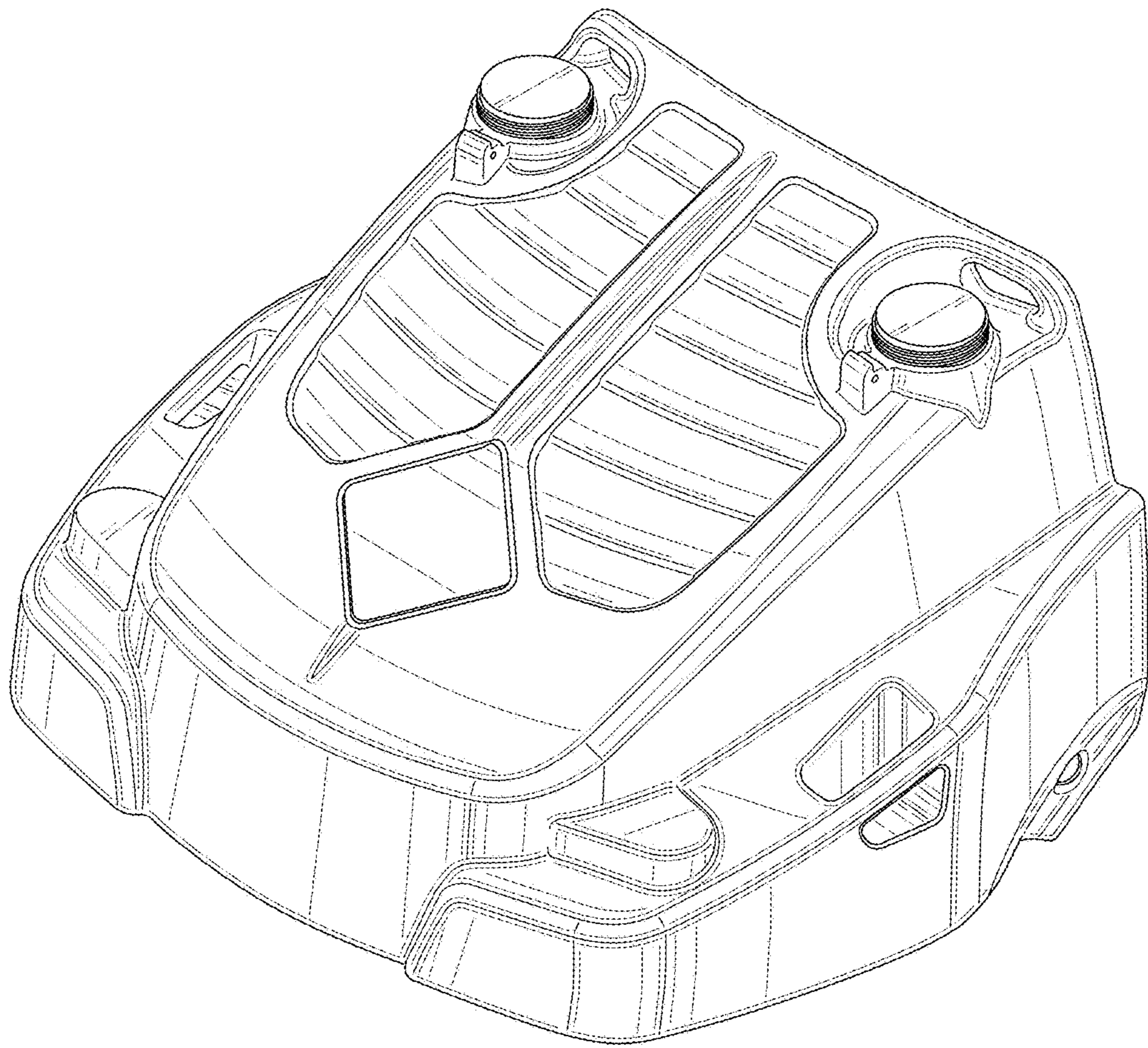


FIG. 1

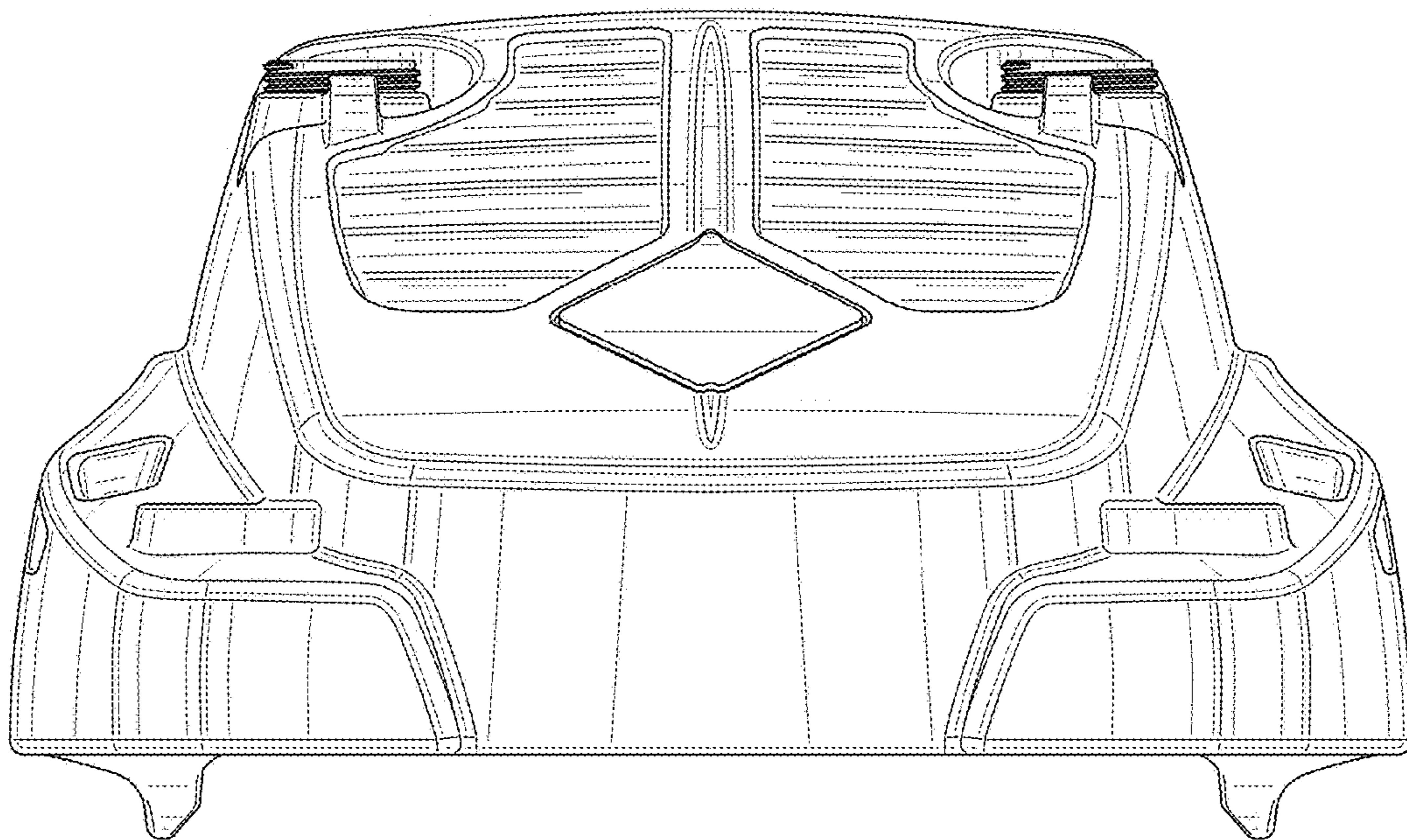


FIG. 2

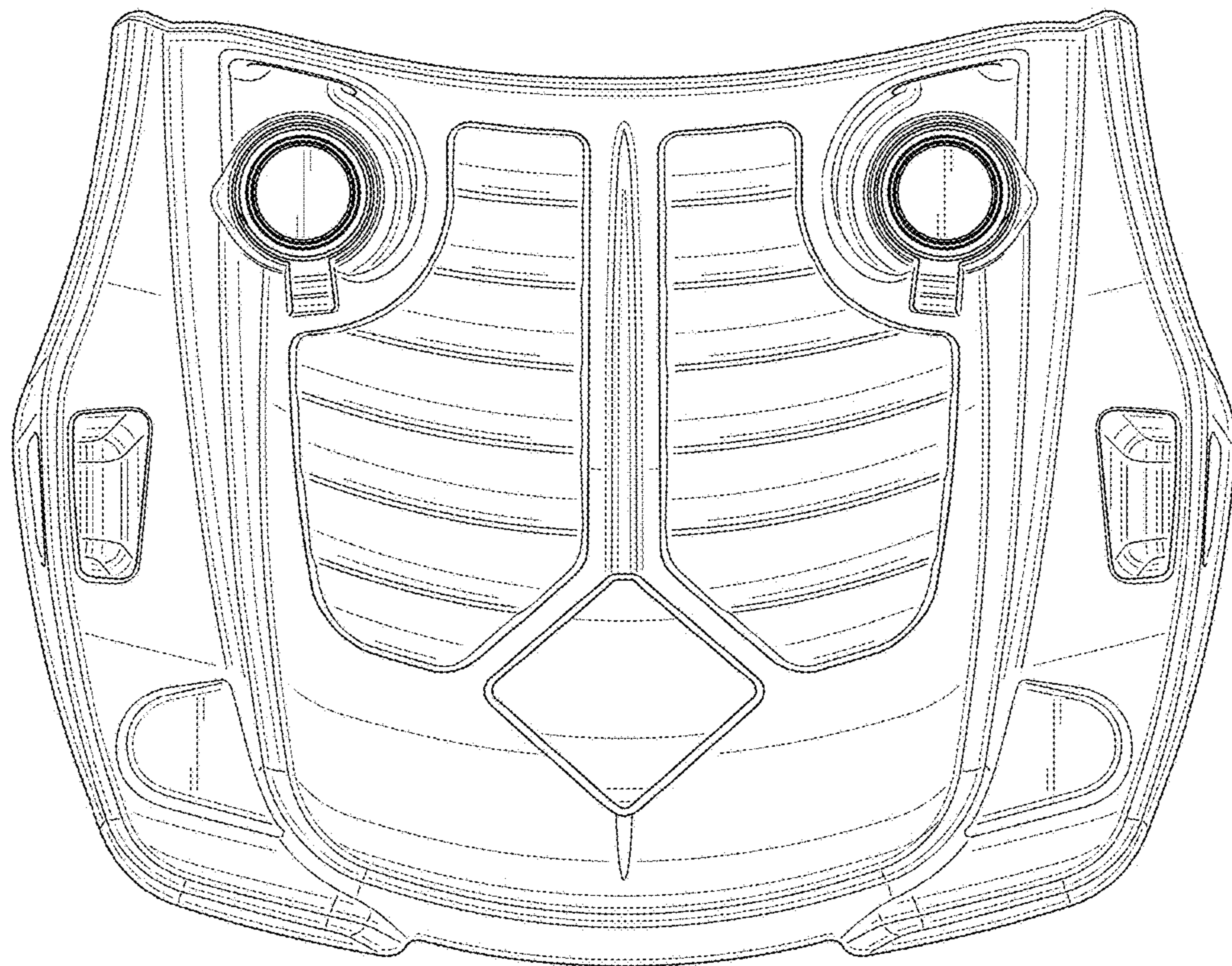


FIG. 3

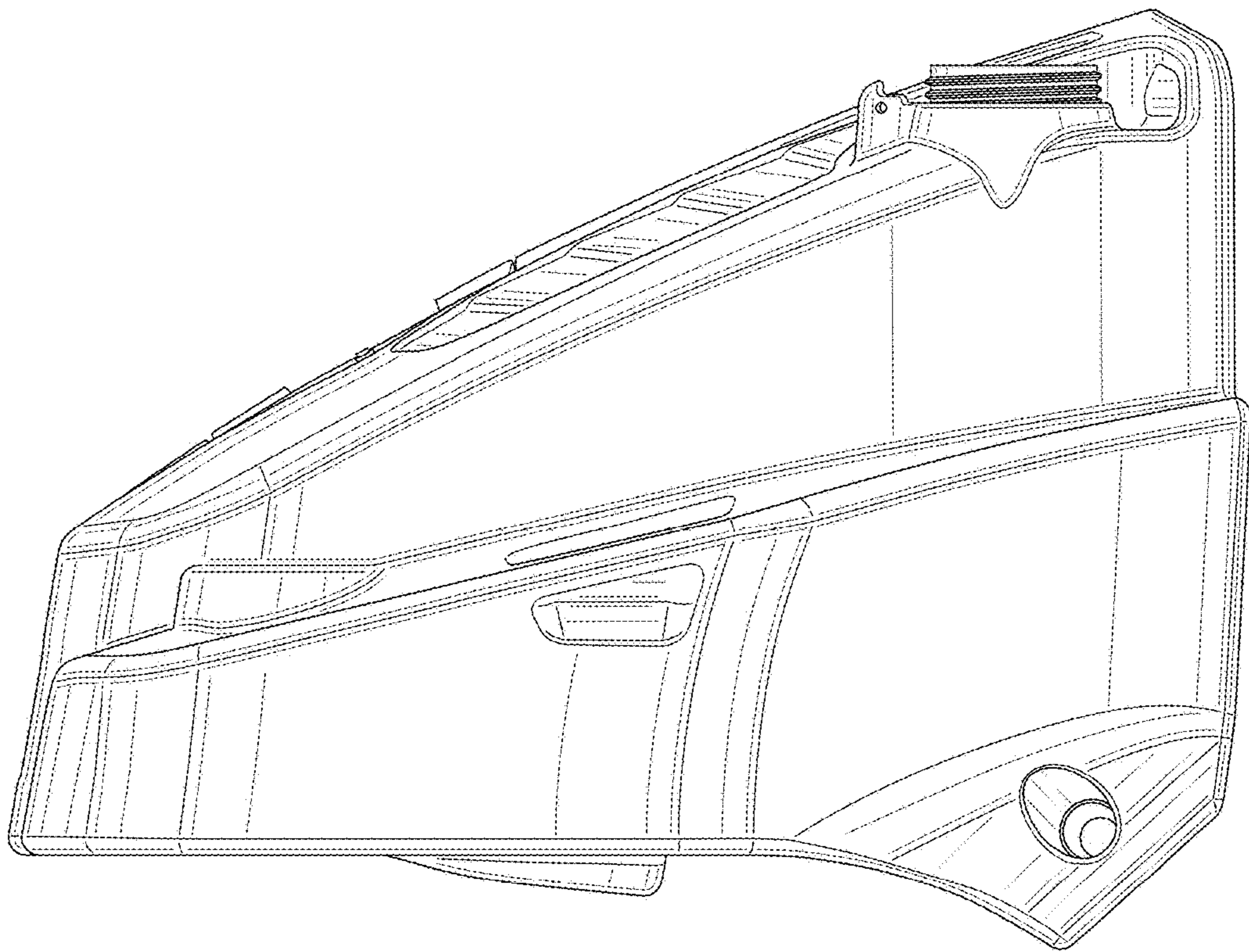


FIG. 4

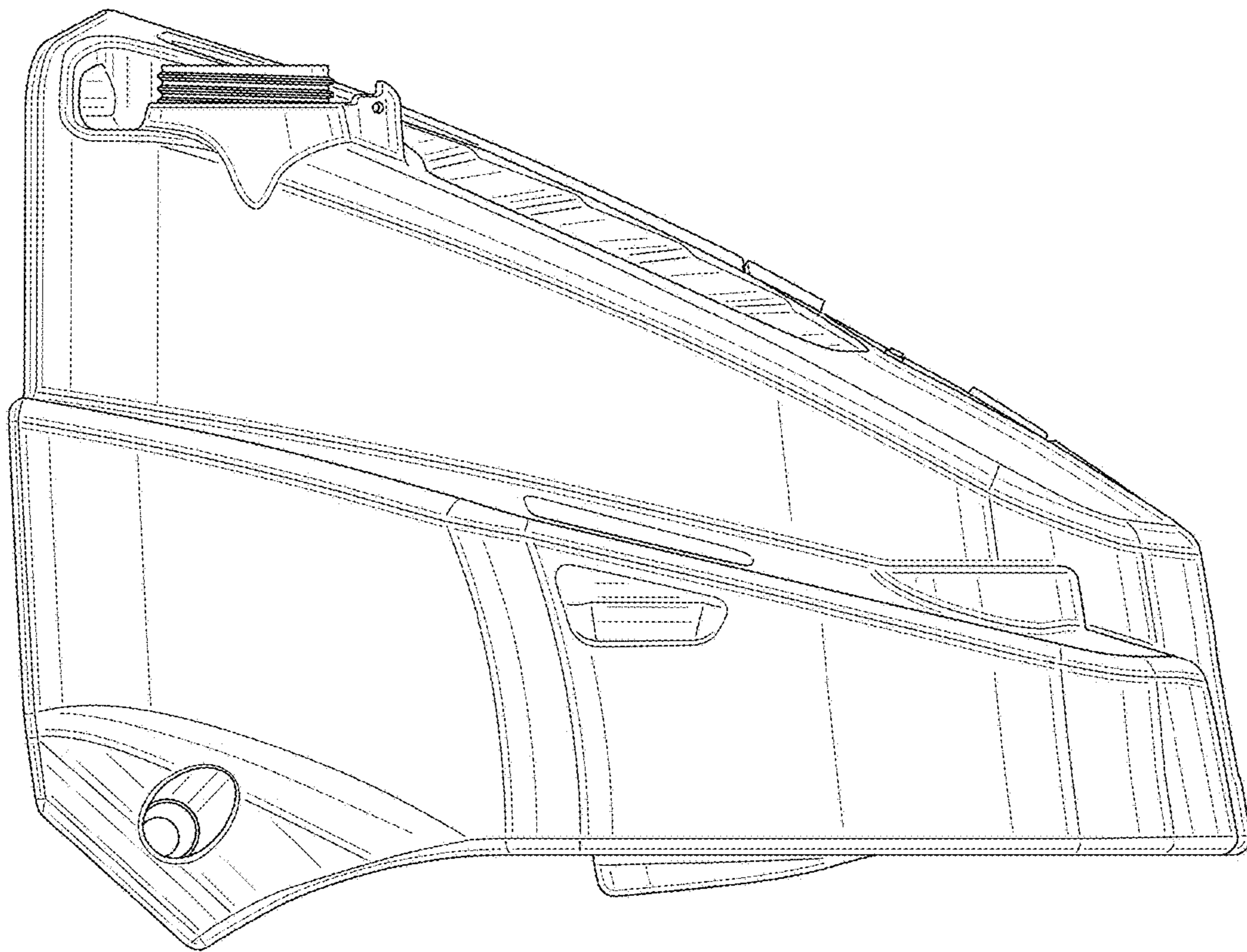


FIG. 5