



US00D775197S

(12) **United States Design Patent** (10) **Patent No.:** **US D775,197 S**
Thompson et al. (45) **Date of Patent:** **** Dec. 27, 2016**

(54) **DISPLAY SCREEN OR PORTION THEREOF WITH GRAPHICAL USER INTERFACE FOR WATER DELIVERY COMPONENTS**

(71) Applicant: **Kohler Mira Limited**, Cheltenham, Gloucestershire (GB)

(72) Inventors: **Christopher Ian Thompson**, Bristol (GB); **Samuel James Stevens**, Wiltshire (GB)

(73) Assignee: **KOHLER MIRA LIMITED** (GB)

(**) Term: **14 Years**

(21) Appl. No.: **29/488,365**

(22) Filed: **Apr. 17, 2014**

(51) **LOC (10) Cl.** **14-03**

(52) **U.S. Cl.**
USPC **D14/489**

(58) **Field of Classification Search**
USPC D14/485-495; D20/24; 715/702, 764
CPC G06F 3/016; G06F 3/0481; G06F 3/0482
See application file for complete search history.

(56) **References Cited**

U.S. PATENT DOCUMENTS

D688,697 S *	8/2013	Phelan	D14/489
D690,720 S *	10/2013	Waldman	D14/485
D690,728 S *	10/2013	Brinda	D14/488
D690,737 S *	10/2013	Wen	D14/489
D691,171 S *	10/2013	Brinda	D14/488
D691,629 S *	10/2013	Matas	D14/488
D696,270 S *	12/2013	Hyunjung	D14/486
D697,073 S *	1/2014	Andersson	D14/485
D699,747 S *	2/2014	Pearson	D14/488
D699,750 S *	2/2014	Pearson	D14/488
D700,207 S *	2/2014	Pearson	D14/488

D701,226 S *	3/2014	Jung	D14/486
D701,869 S *	4/2014	Matas	D14/486
D703,693 S *	4/2014	Brinda	D14/488
D706,806 S *	6/2014	Nishizawa	D14/488
D708,221 S *	7/2014	Danton	D14/492
D709,092 S *	7/2014	Mariet	D14/489
D709,915 S *	7/2014	Inose	D14/492
D710,862 S *	8/2014	Wang	D14/485
D712,425 S *	9/2014	Nagaoka	D14/485
D712,911 S *	9/2014	Pearson	D14/486
D713,850 S *	9/2014	Jiyoon	D14/485
D714,320 S *	9/2014	Pereira	D14/485
D714,325 S *	9/2014	Pereira	D14/485
D714,819 S *	10/2014	Wang	D14/486
D715,811 S *	10/2014	Tsukamoto	D14/485
D719,180 S *	12/2014	Liang	D14/486
D721,084 S *	1/2015	Kimball	D14/485

(Continued)

Primary Examiner — Rhea Shields

(74) *Attorney, Agent, or Firm* — Foley & Lardner LLP

(57) **CLAIM**

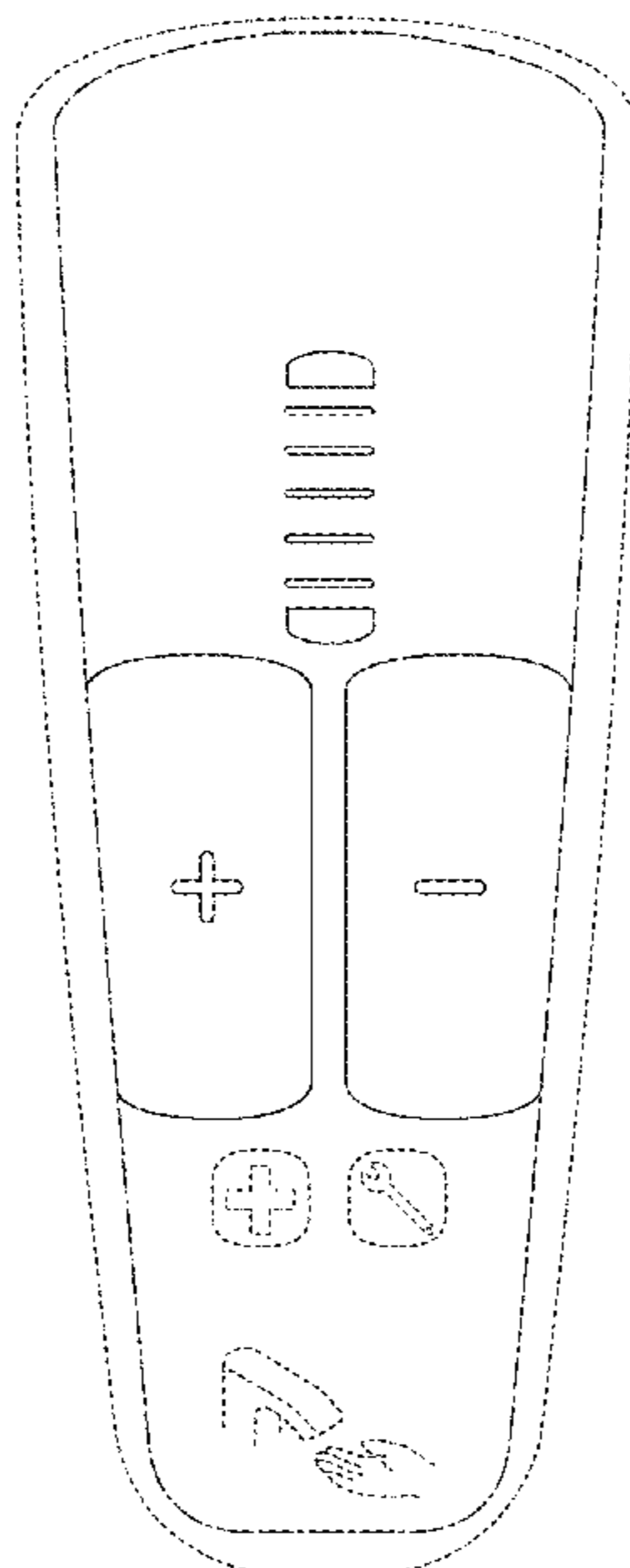
We claim the ornamental design for a display screen or portion thereof with graphical user interface for water delivery components, as shown and described.

DESCRIPTION

The FIGURE is an exploded front view of the display screen or portion thereof with graphical user interface for water delivery components, according to our new design.

In the drawings, the dot-dash broken lines are for the purpose of illustrating the display screen. The dash-dash broken lines are for the purpose of illustrating environmental structure (the water delivery component) and portions of the graphic user interface. No subject matter shown in either the dot-dash broken lines or dash-dash broken lines form a part of the claimed design.

1 Claim, 1 Drawing Sheet



(56)

References Cited

U.S. PATENT DOCUMENTS

D724,618 S *	3/2015	Shin	D14/487
D725,148 S *	3/2015	Pereira	D14/492
D728,598 S *	5/2015	Lee	D14/486
D729,260 S *	5/2015	Ahn	D14/485
D730,395 S *	5/2015	Smith	D14/489
D735,748 S *	8/2015	Francisco	D14/487
2015/0082162 A1 *	3/2015	Cho	G06F 3/016 715/702

* cited by examiner

