



US00D775174S

(12) **United States Design Patent**
Chen et al.

(10) **Patent No.:** **US D775,174 S**
(45) **Date of Patent:** **** Dec. 27, 2016**

(54) **DISPLAY SCREEN WITH GRAPHICAL USER INTERFACE**

(71) Applicant: **Tencent Technology (Shenzhen) Company Limited**, Guangdong (CN)

(72) Inventors: **Yu Chen**, Guangdong (CN); **Songtai Zhang**, Guangdong (CN); **Dong Li**, Guangdong (CN); **Zhirong Liang**, Guangdong (CN); **Zhongwen Luo**, Guangdong (CN)

(73) Assignee: **Tencent Technology (Shenzhen) Company Limited** (CN)

(**) Term: **15 Years**

(21) Appl. No.: **29/529,343**

(22) Filed: **Jun. 5, 2015**

(51) **LOC (10) Cl.** **14-04**

(52) **U.S. Cl.**
USPC **D14/486**

(58) **Field of Classification Search**
USPC D14/485–495
CPC .. G06F 3/0481; G06F 3/0482; G06F 3/04817;
G06F 3/04883; G06F 3/04815; G06F
3/0485; G06F 3/04886
See application file for complete search history.

(56) **References Cited**

U.S. PATENT DOCUMENTS

- D561,193 S * 2/2008 O'Mullan D14/487
- D602,033 S * 10/2009 Vu D14/485
- D667,842 S * 9/2012 Ouilhet D14/489
- 8,382,591 B2 * 2/2013 Toy A63F 13/10
463/37
- D678,894 S * 3/2013 Kanalakakis, Jr. D14/486
- D698,806 S * 2/2014 Funabashi D14/487
- D698,807 S * 2/2014 Funabashi D14/487

- D698,808 S * 2/2014 Funabashi D14/487
- D698,809 S * 2/2014 Funabashi D14/487
- D699,259 S * 2/2014 Funabashi D14/487
- D699,741 S * 2/2014 Wantland D14/487
- D701,874 S * 4/2014 Rao D14/487
- D705,799 S * 5/2014 Funabashi D14/487
- D716,829 S * 11/2014 Sik D14/486
- D717,334 S * 11/2014 Sakuma D14/487
- D717,335 S * 11/2014 Sakuma D14/487
- D718,320 S * 11/2014 Charles D14/486
- D718,321 S * 11/2014 Charles D14/486
- D724,618 S * 3/2015 Shin D14/487
- D739,414 S * 9/2015 Lim D14/485
- D742,910 S * 11/2015 Drozd D14/485
- D752,078 S * 3/2016 Guesnon, Jr. D14/486
- D759,070 S * 6/2016 Heeter D14/486
- D760,739 S * 7/2016 Jung D14/485
- D763,894 S * 8/2016 Lamparelli D14/486
- 2013/0254714 A1 * 9/2013 Shin G06F 3/0488
715/810

* cited by examiner

Primary Examiner — Deanna L Pratt

(74) *Attorney, Agent, or Firm* — Design IP

(57) **CLAIM**

The ornamental design for a display screen with graphical user interface, as shown and described.

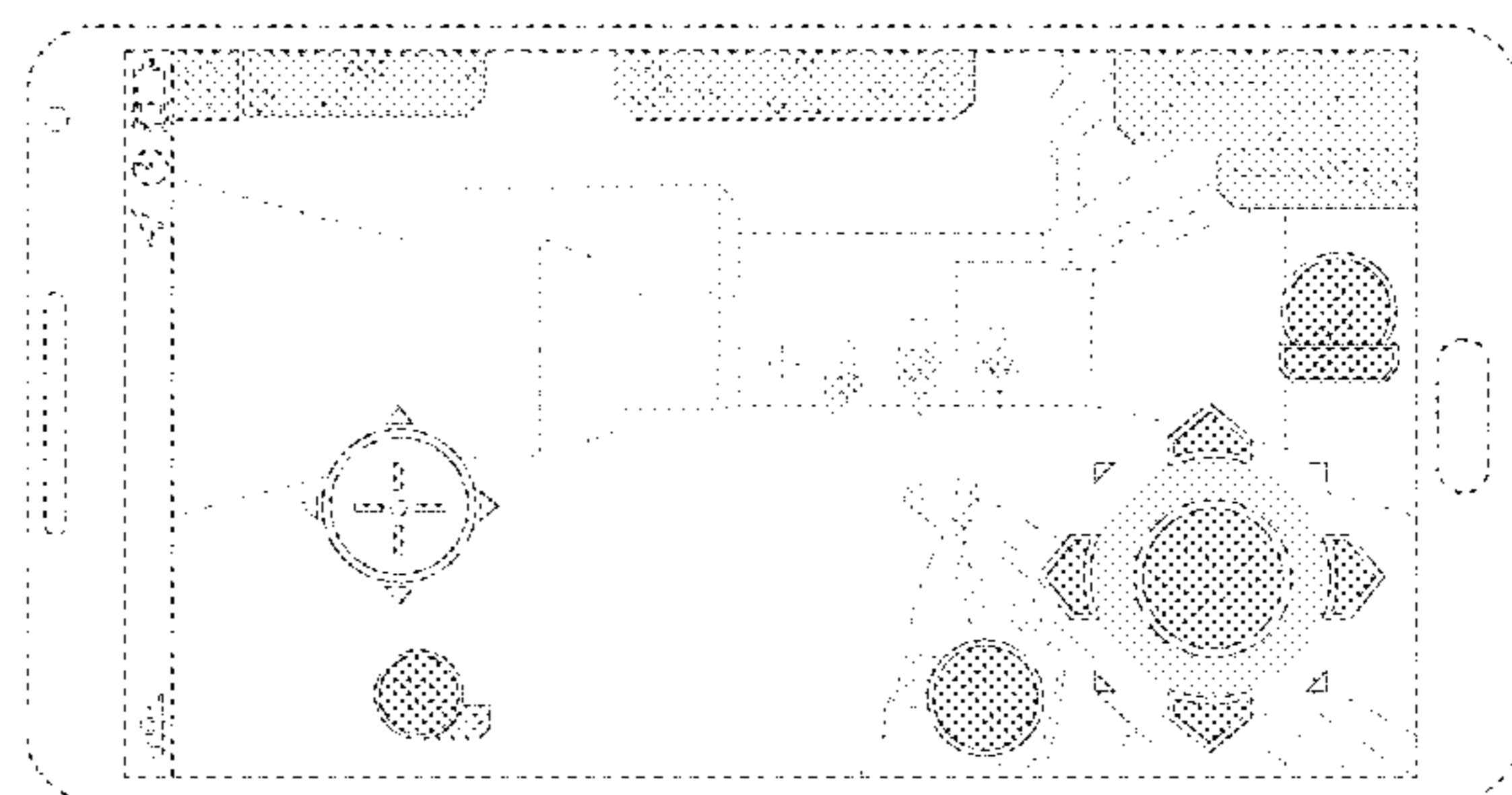
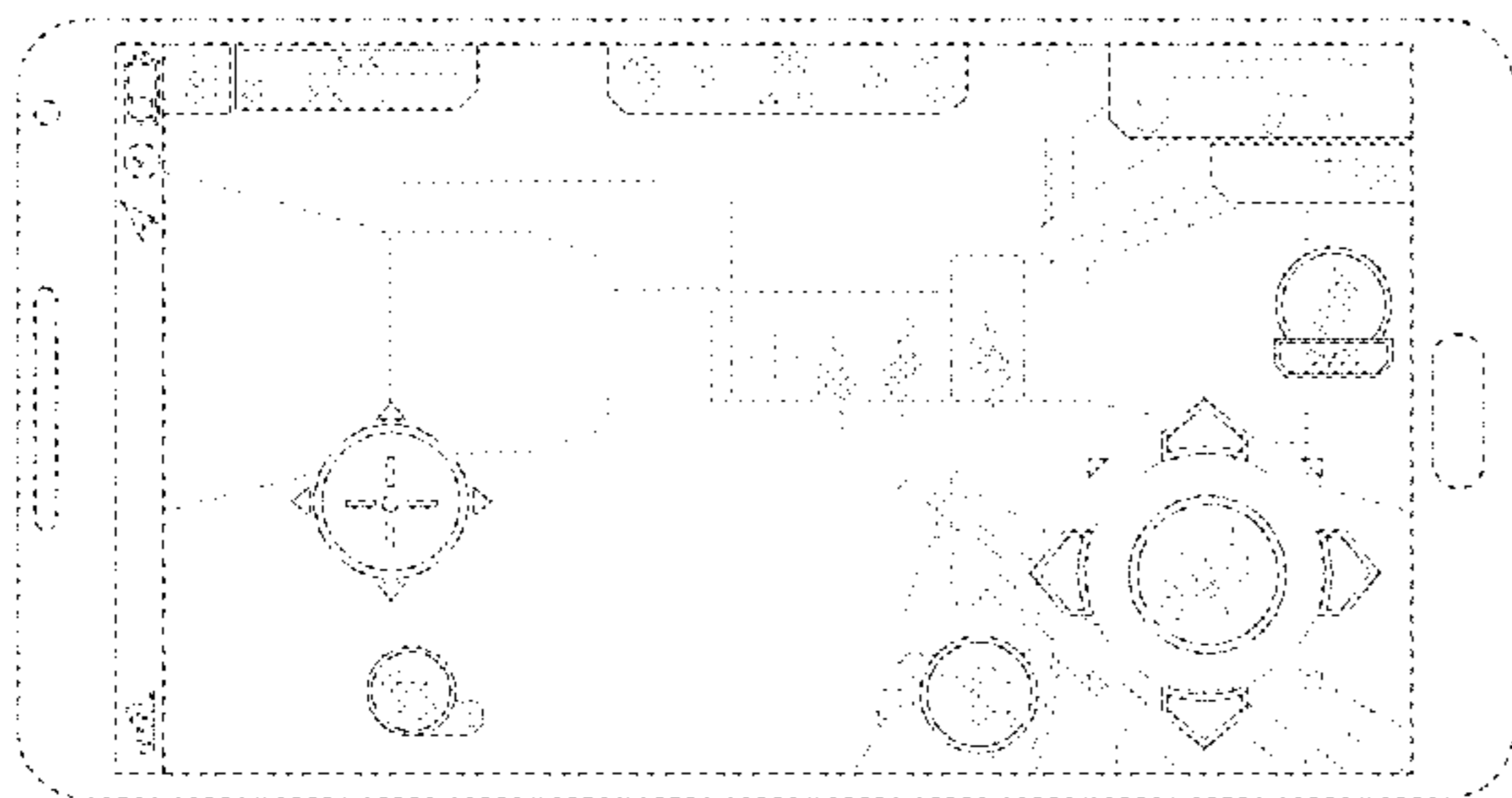
DESCRIPTION

FIG. 1 is a front view of a first embodiment of a display screen with graphical user interface showing our new design; and,

FIG. 2 is a front view of a second embodiment of a display screen with graphical user interface showing our new design.

The broken line showings of the display screen and of portions of the graphical user interface illustrate portions of the display screen with graphical user interface that form no part of the claimed design.

1 Claim, 2 Drawing Sheets



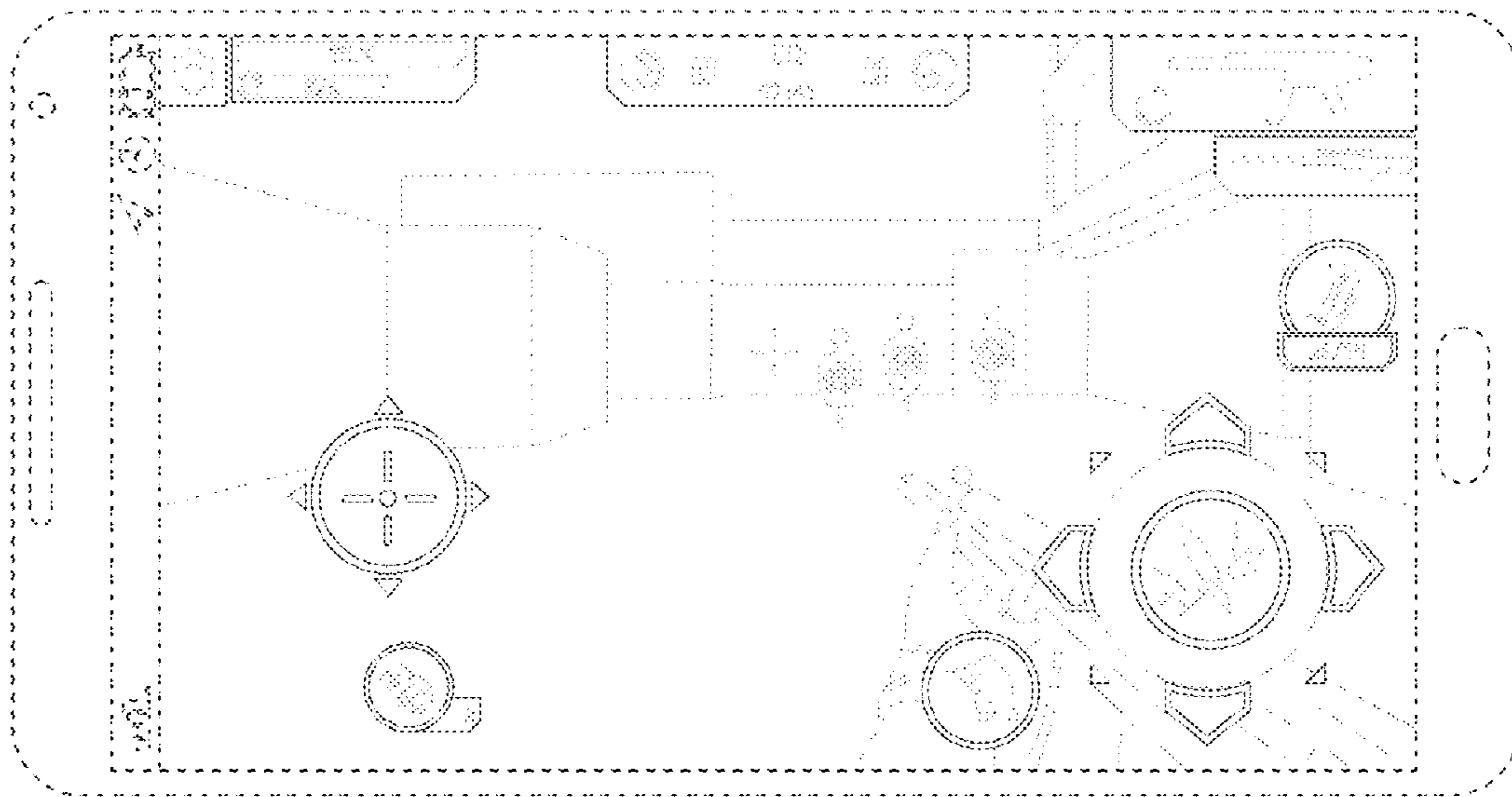


FIG. 1

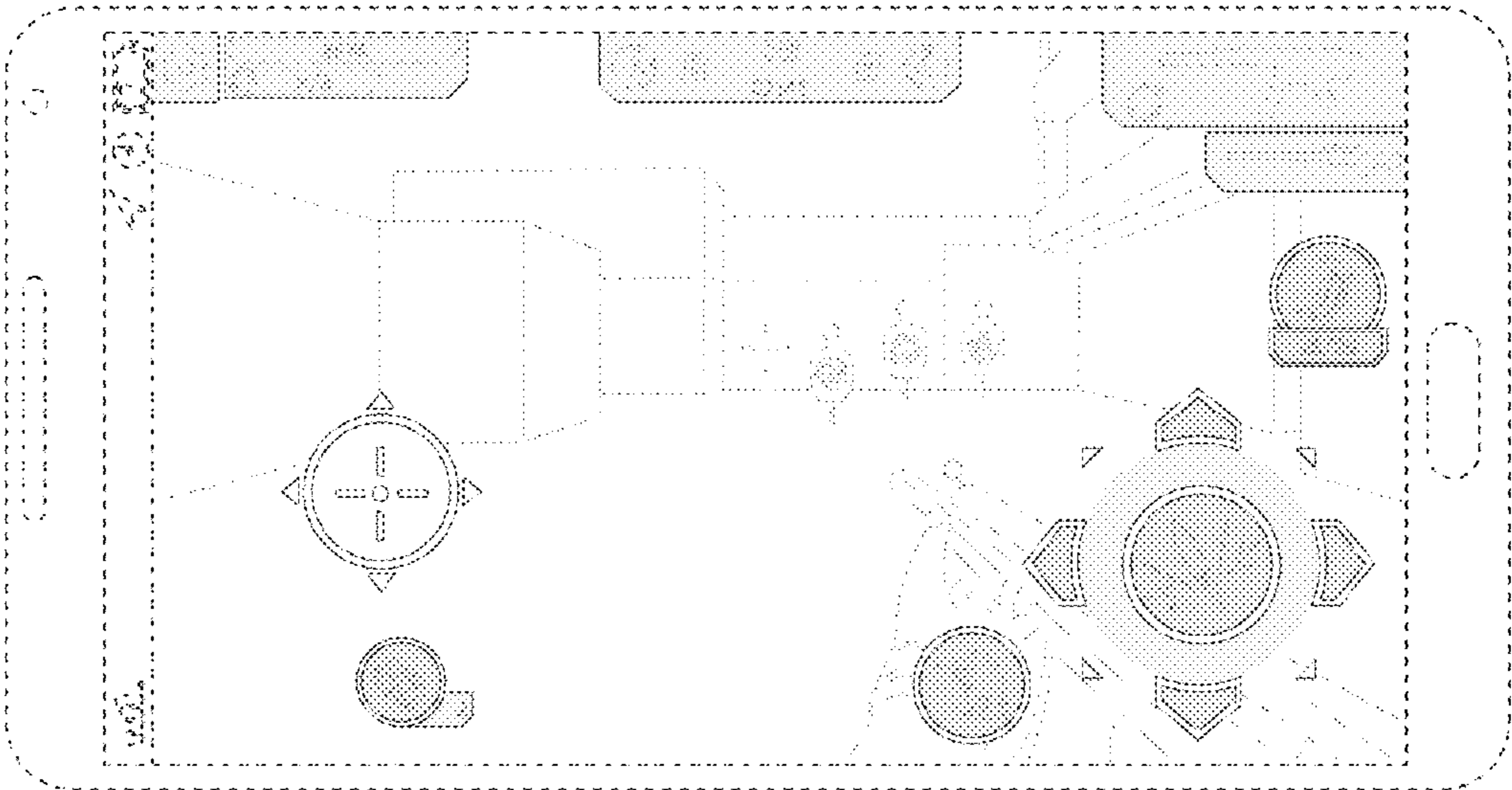


FIG. 2