



US00D775137S

(12) **United States Design Patent** (10) **Patent No.:** **US D775,137 S**  
**Zhou** (45) **Date of Patent:** **\*\* Dec. 27, 2016**

(54) **BORDERED KEY-CAP OF COMPUTER KEYBOARD**

(71) Applicant: **Feiyue Zhou**, Dongguan (CN)

(72) Inventor: **Feiyue Zhou**, Dongguan (CN)

(\*\*) Term: **15 Years**

(21) Appl. No.: **29/557,639**

(22) Filed: **Mar. 10, 2016**

(30) **Foreign Application Priority Data**

Sep. 18, 2015 (CN) ..... 2015 3 0362640

(51) **LOC (10) Cl.** ..... **14-02**

(52) **U.S. Cl.**  
USPC ..... **D14/456**

(58) **Field of Classification Search**  
USPC ..... D14/454, 455, 456, 320, 331, 333, 334, D14/335, 338, 339, 340, 341, 342, 345, D14/346, 347, 387, 390, 391, 392, 393, D14/394, 395, 396, 397, 398, 150, 247, D14/248, 900, 901, 902, 402, 406, 426, D14/432, 439, 453, 457, 137, 138, 218, D14/315, 327; D13/168; D18/12.2, 7, 52, D18/24, 25, 29, 1, 2; 235/145 R; 341/22, 341/27, 28; 345/168, 169, 170, 171, 345/172, 947, 948, 163; 379/368, 915, 379/433.07, 433.06; 400/109, 110, 111, 400/472, 484, 485, 486, 487, 490, 491, 400/492, 494; 455/550.1, 556.2, 186.2, 455/575.1; 248/176.1  
CPC ..... H01H 11/00

See application file for complete search history.

(56) **References Cited**

U.S. PATENT DOCUMENTS

D311,913 S \* 11/1990 Schaum ..... D14/456  
5,209,588 A \* 5/1993 Chen ..... B41J 5/12  
400/472  
D379,462 S \* 5/1997 Mak ..... D14/247  
6,217,183 B1 \* 4/2001 Shipman ..... G06F 3/0202  
200/314  
D472,557 S \* 4/2003 Kadota ..... D14/456  
6,827,513 B2 \* 12/2004 Huang ..... G06F 3/0219  
400/489  
D514,584 S \* 2/2006 Summit ..... D14/456  
D585,450 S \* 1/2009 DeMaio ..... D14/456  
D585,451 S \* 1/2009 DeMaio ..... D14/456  
D607,461 S \* 1/2010 Wang ..... D14/456  
D733,717 S \* 7/2015 Fujioka ..... D14/456  
D733,718 S \* 7/2015 Fujioka ..... D14/456  
D739,411 S \* 9/2015 Bonnstauffer ..... D14/456  
2015/0041602 A1 \* 2/2015 Fujioka ..... G06F 1/16  
248/176.1

\* cited by examiner

*Primary Examiner* — Lakiya Rogers  
*Assistant Examiner* — Harold Blackwell, II  
(74) *Attorney, Agent, or Firm* — Schmeiser, Olsen & Watts, LLP

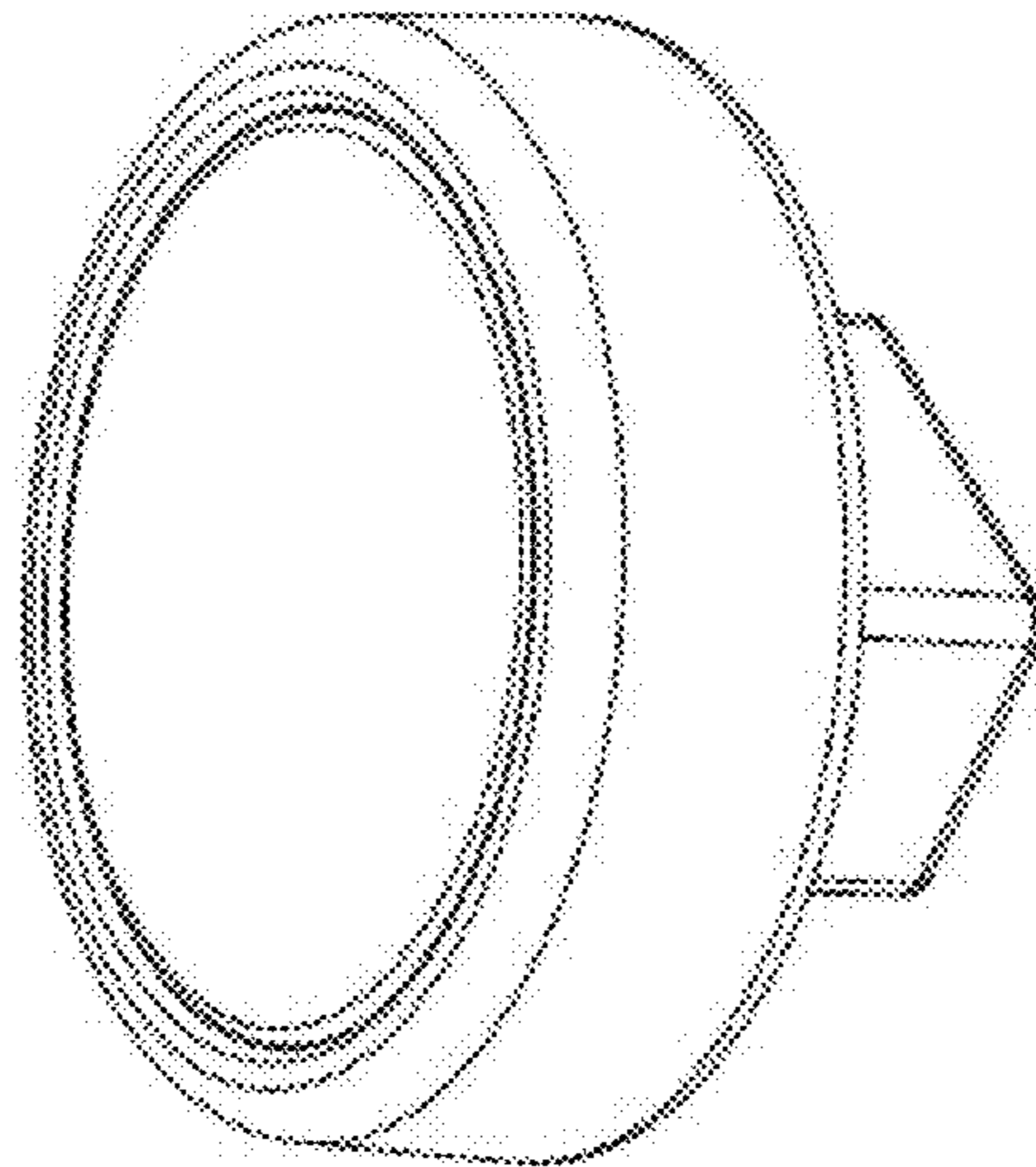
(57) **CLAIM**

The ornamental design for bordered key-cap of computer keyboard, as shown and described.

**DESCRIPTION**

FIG. 1 is a Front plan view of bordered key-cap of computer keyboard showing my new design;  
FIG. 2 is a Rear plan view thereof;  
FIG. 3 is a Perspective 1 view thereof;  
FIG. 4 is a Perspective 2 view thereof; and,  
FIG. 5 is a Perspective 3 view thereof.

**1 Claim, 5 Drawing Sheets**



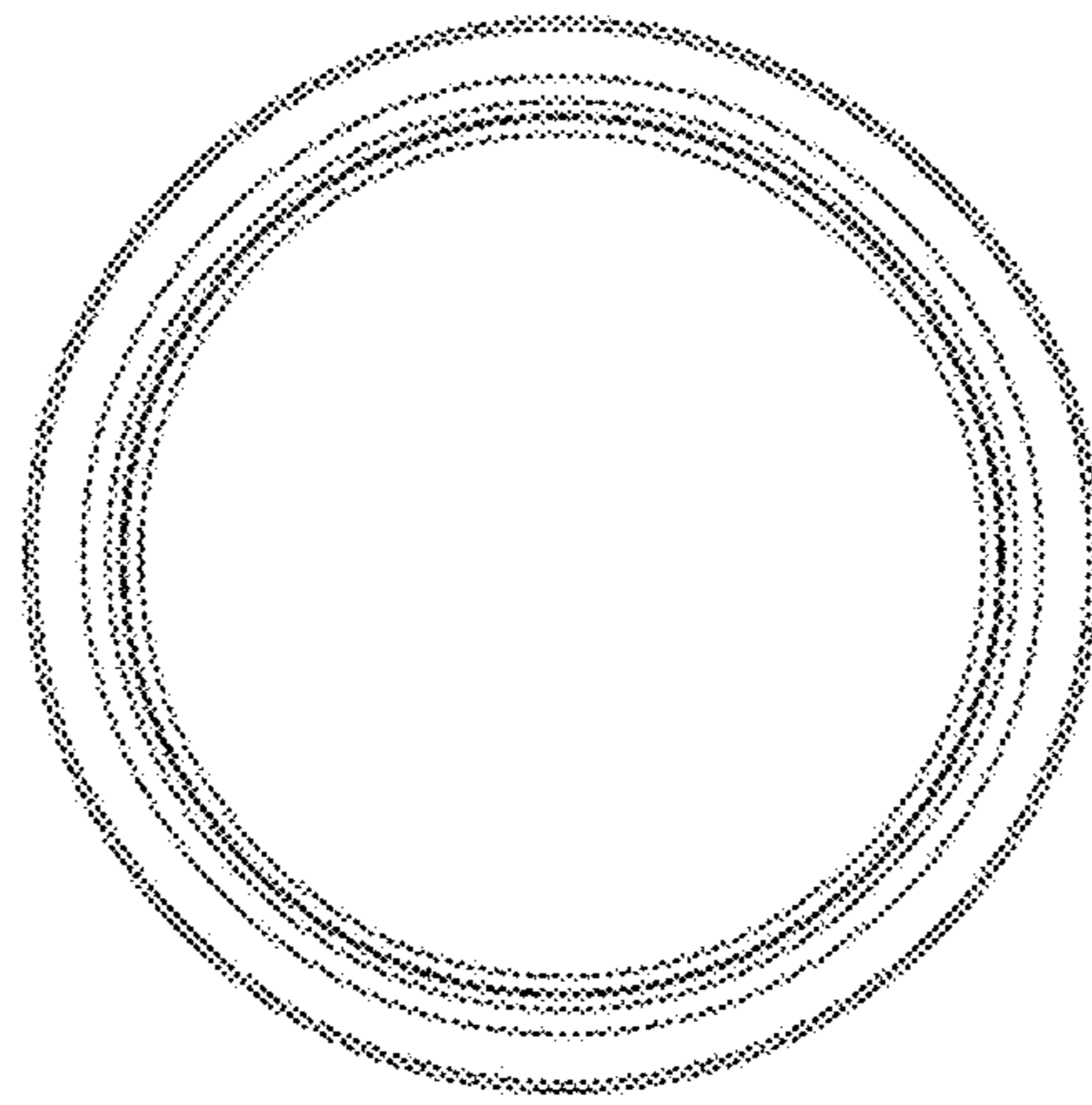


Figure 1

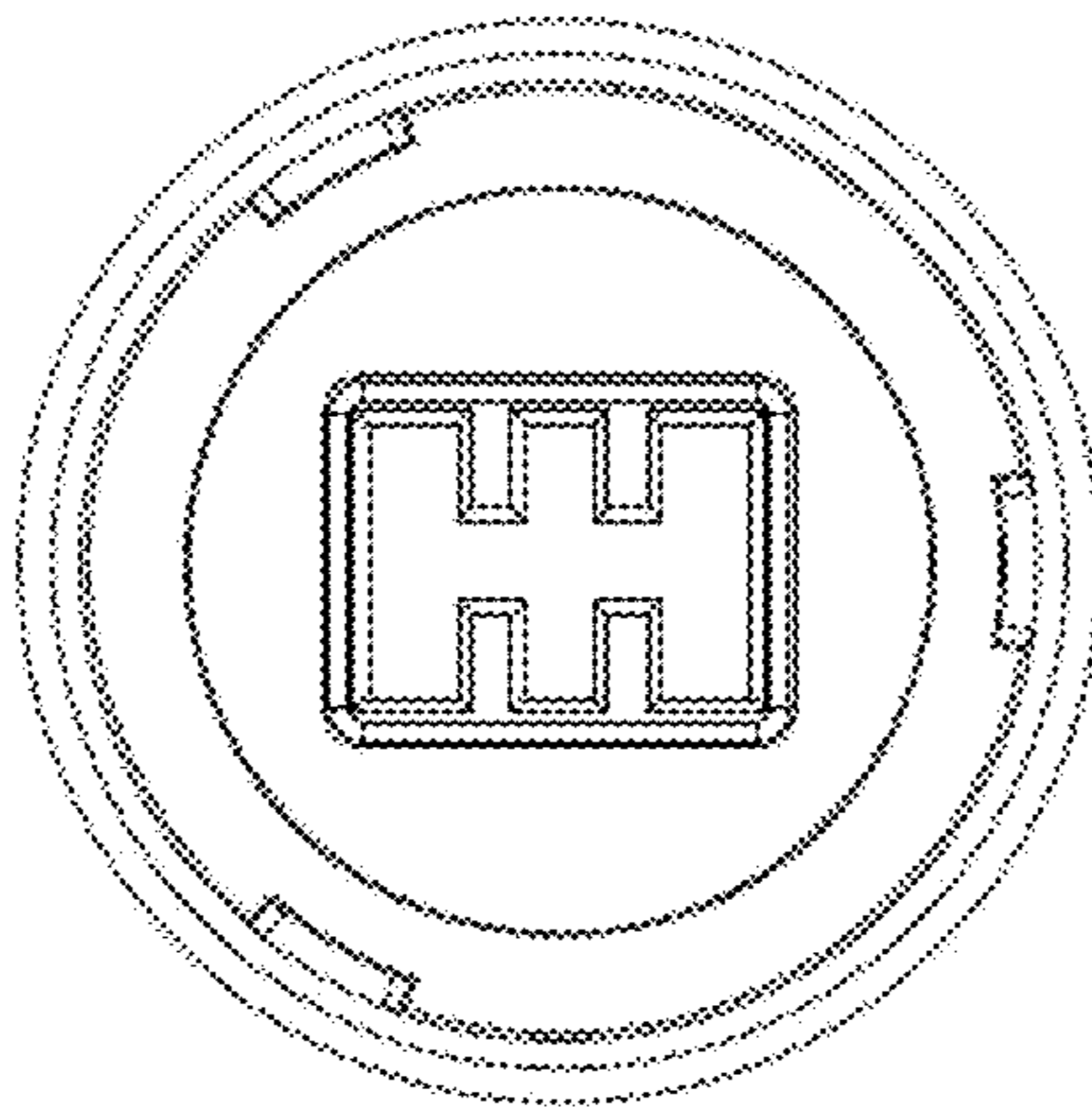


Figure 2

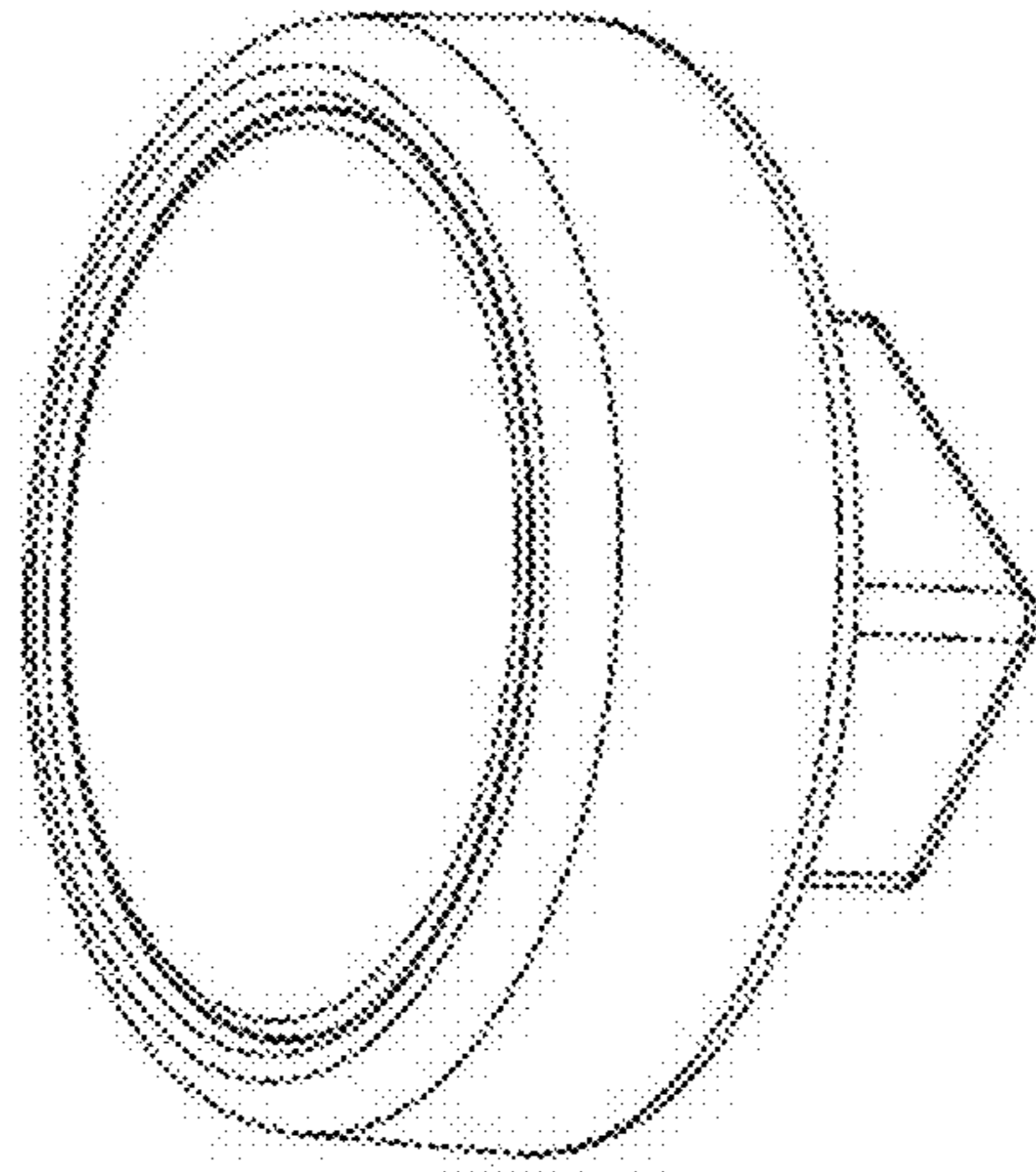


Figure 3

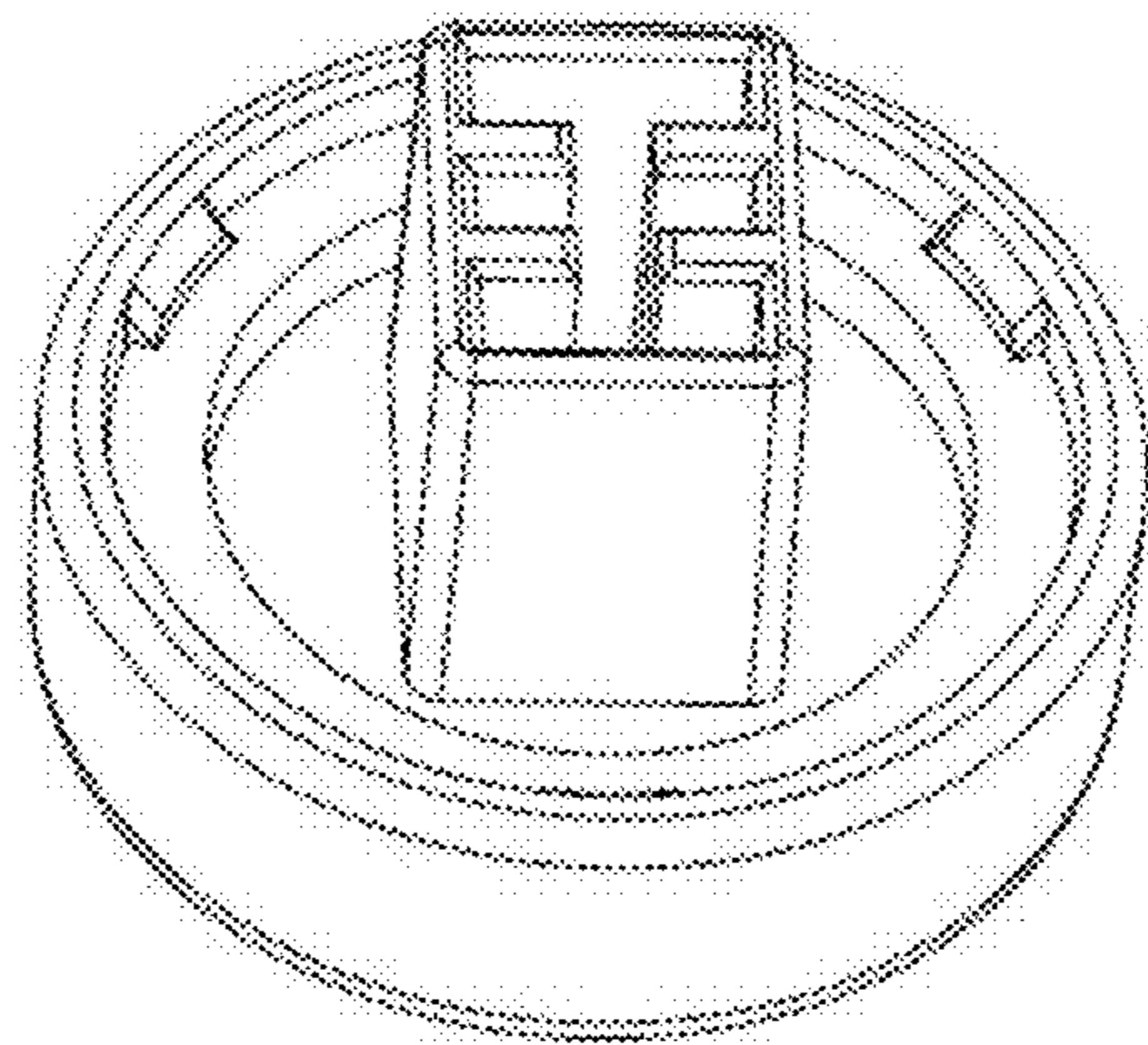


Figure 4

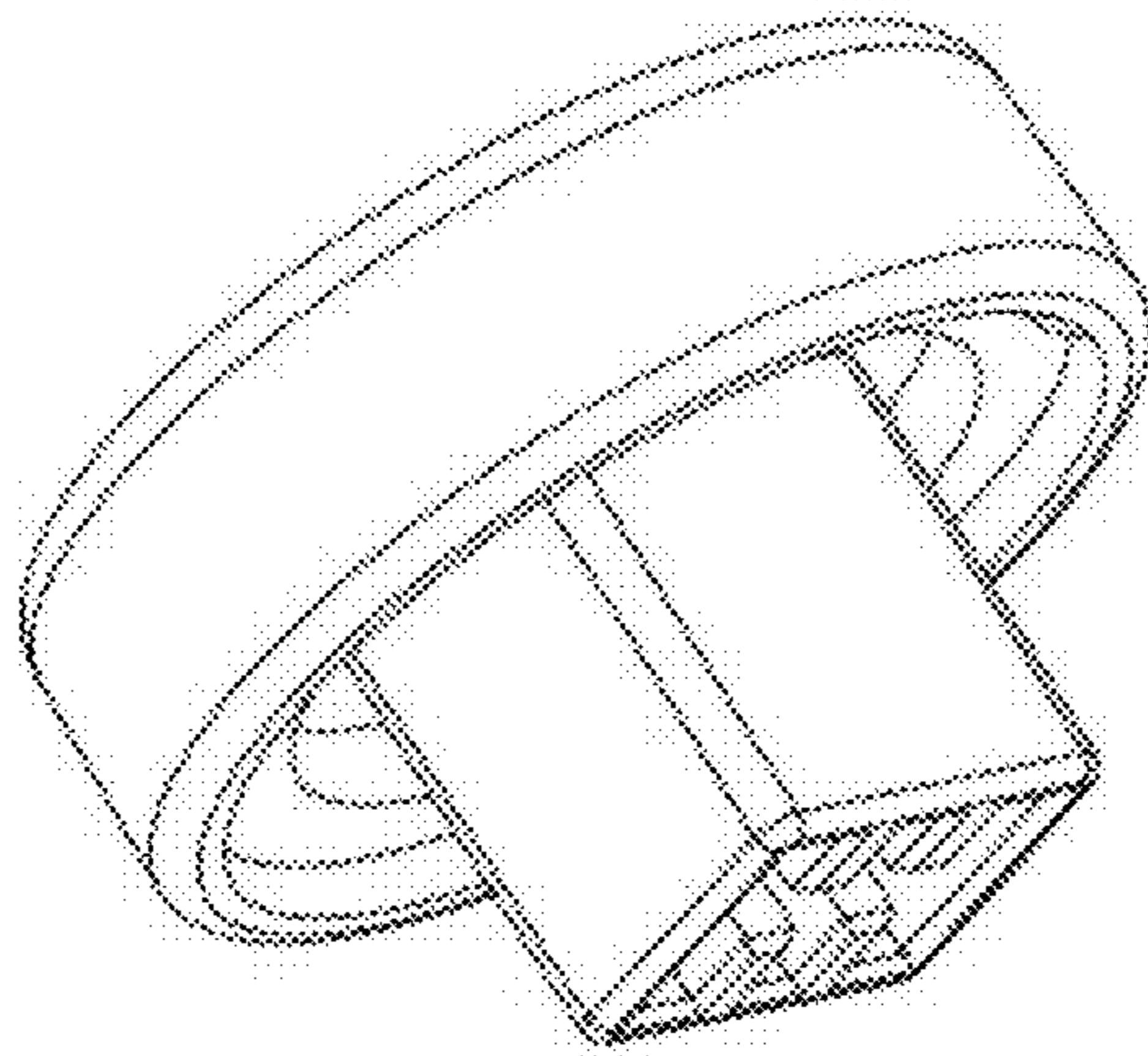


Figure 5