



US00D775136S

(12) **United States Design Patent** (10) **Patent No.:** **US D775,136 S**
Min (45) **Date of Patent:** **** Dec. 27, 2016**

(54) **COMPUTER KEYBOARD BODY**
(71) Applicant: **Brian Min**, Walnut Creek, CA (US)
(72) Inventor: **Brian Min**, Walnut Creek, CA (US)
(**) Term: **15 Years**
(21) Appl. No.: **29/538,580**
(22) Filed: **Sep. 4, 2015**
(51) **LOC (10) Cl.** **14-02**
(52) **U.S. Cl.**
USPC **D14/455**
(58) **Field of Classification Search**
USPC D14/240, 315, 391-399, 433, 443, 447,
D14/455, 456; D18/1, 2, 7, 11; 345/168;
178/17 A, 17 C; 361/679.01, 679.08,
361/679.09, 679.11, 679.12, 679.17,
361/679.26, 679.41, 679.44; 400/484-489,
400/492, 472
CPC G06F 3/0205
See application file for complete search history.

D680,544 S * 4/2013 Akana D14/391
D740,831 S * 10/2015 Colby D14/455
D752,592 S * 3/2016 Ozolins D14/434

* cited by examiner

Primary Examiner — George D Kirschbaum
Assistant Examiner — Joseph Kukella

(57) **CLAIM**

The ornamental design for a computer keyboard body, as shown and described.

DESCRIPTION

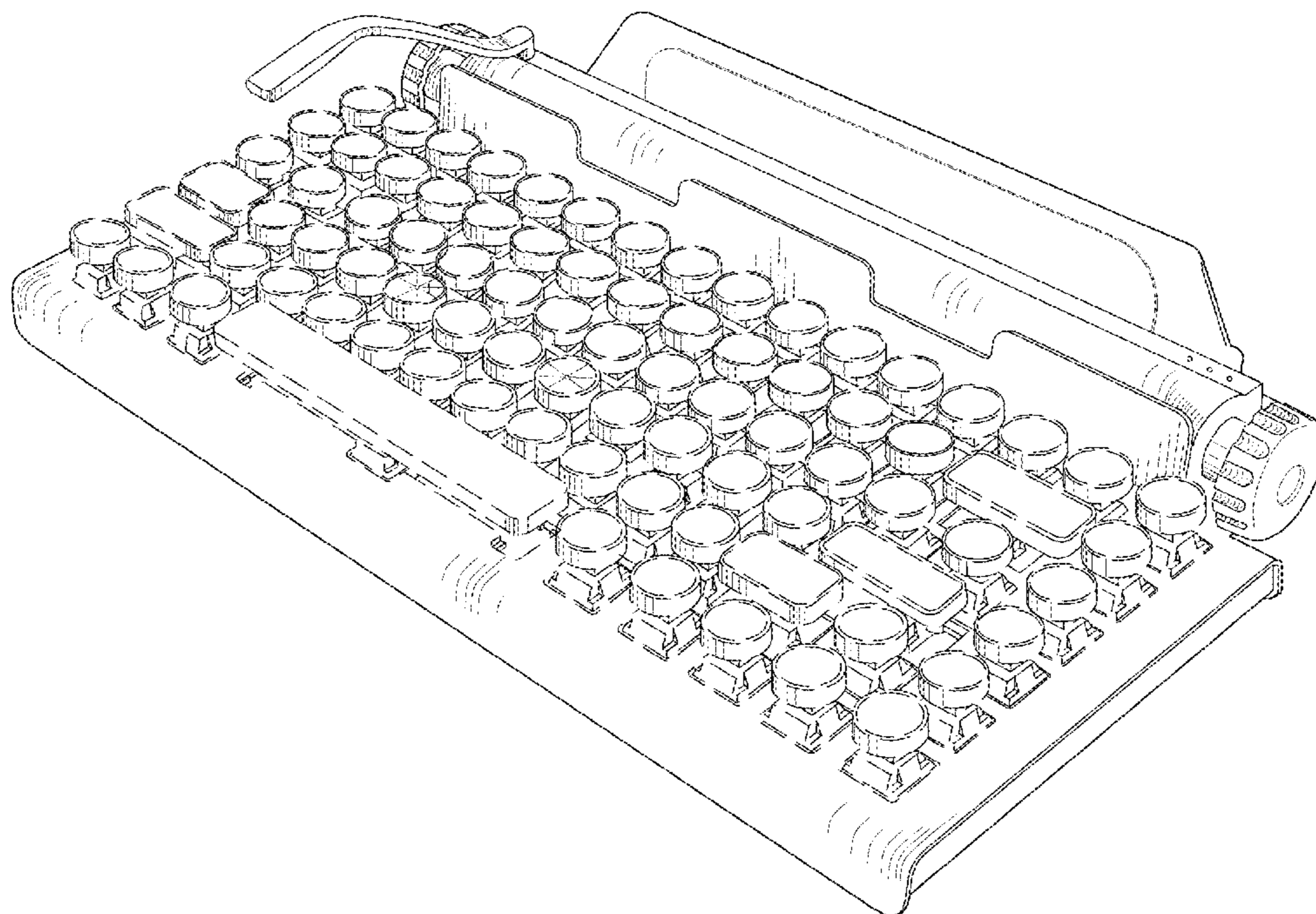
FIG. 1 is a top perspective view of my design for a computer keyboard body;
FIG. 2 is second top perspective view thereof;
FIG. 3 is a third top perspective view thereof;
FIG. 4 is a bottom perspective view thereof;
FIG. 5 is a top plan view thereof;
FIG. 6 is a bottom plan view thereof;
FIG. 7 is a front elevational view thereof;
FIG. 8 is a rear elevational view thereof;
FIG. 9 is a left side elevational view thereof;
FIG. 10 is a right side elevational view thereof;
FIG. 11 is a second left side elevational view thereof; and,
FIG. 12 is a fourth top perspective view thereof.
In the drawings, the broken lines depict environmental subject matter only and form no part of the claimed design.

1 Claim, 12 Drawing Sheets

(56) **References Cited**

U.S. PATENT DOCUMENTS

1,328,818 A * 1/1920 Butler B41J 5/10
400/472
2,080,457 A * 5/1937 Bower B41J 5/10
400/486
2,665,336 A * 1/1954 Saykay H04L 17/04
178/17 C
D680,538 S * 4/2013 Xiao D14/392



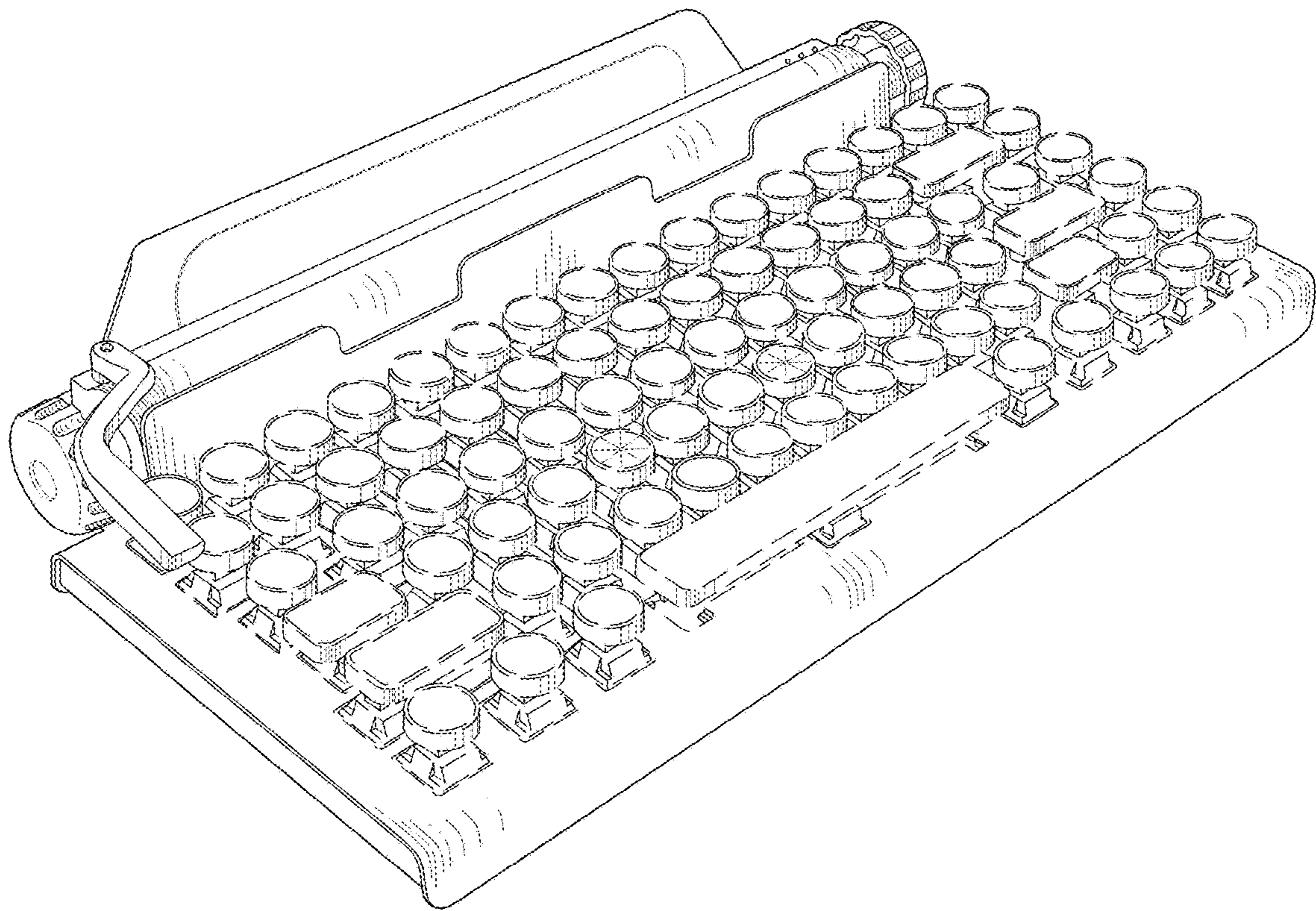


FIG. 1

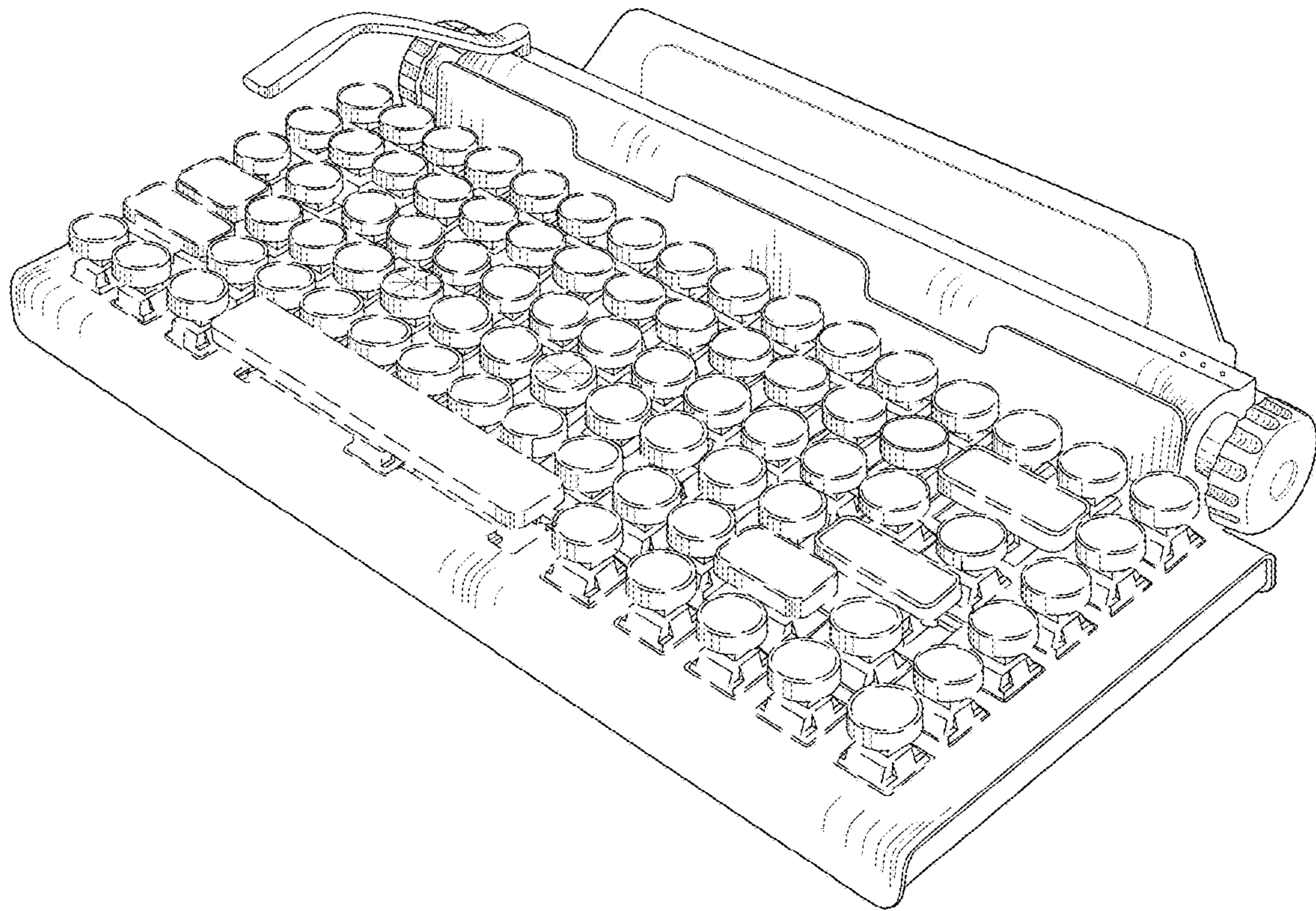


FIG. 2

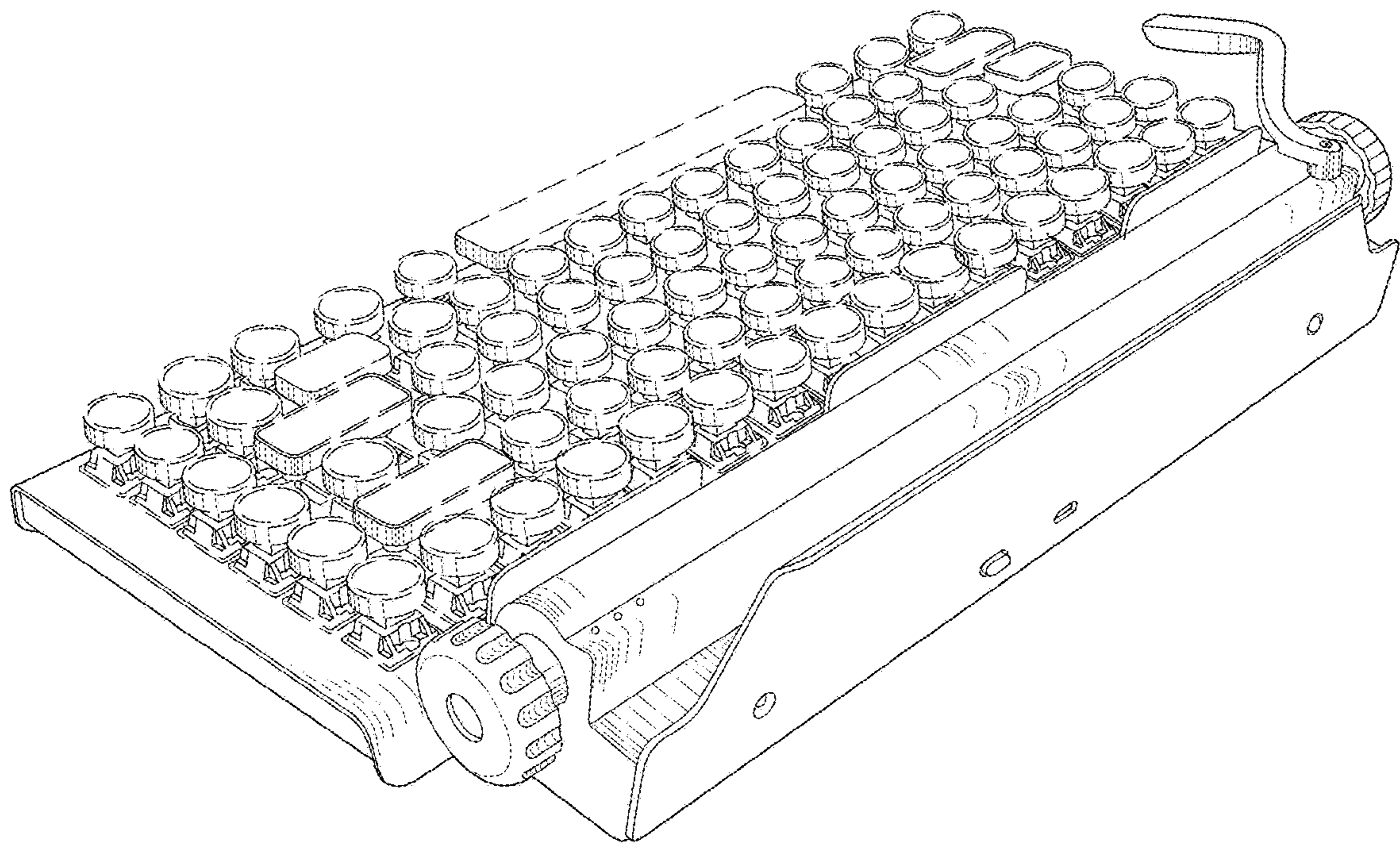


FIG. 3

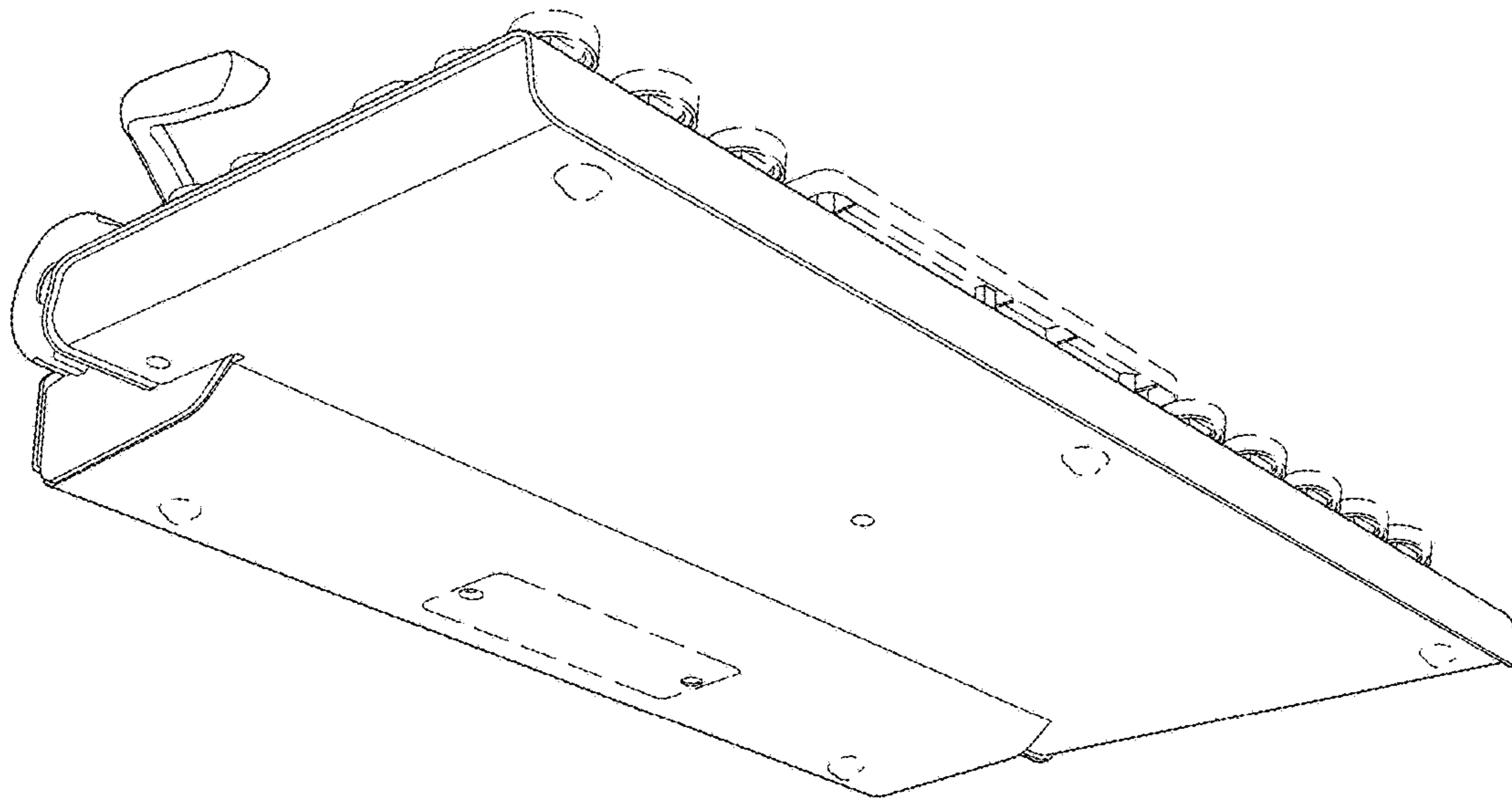


FIG. 4

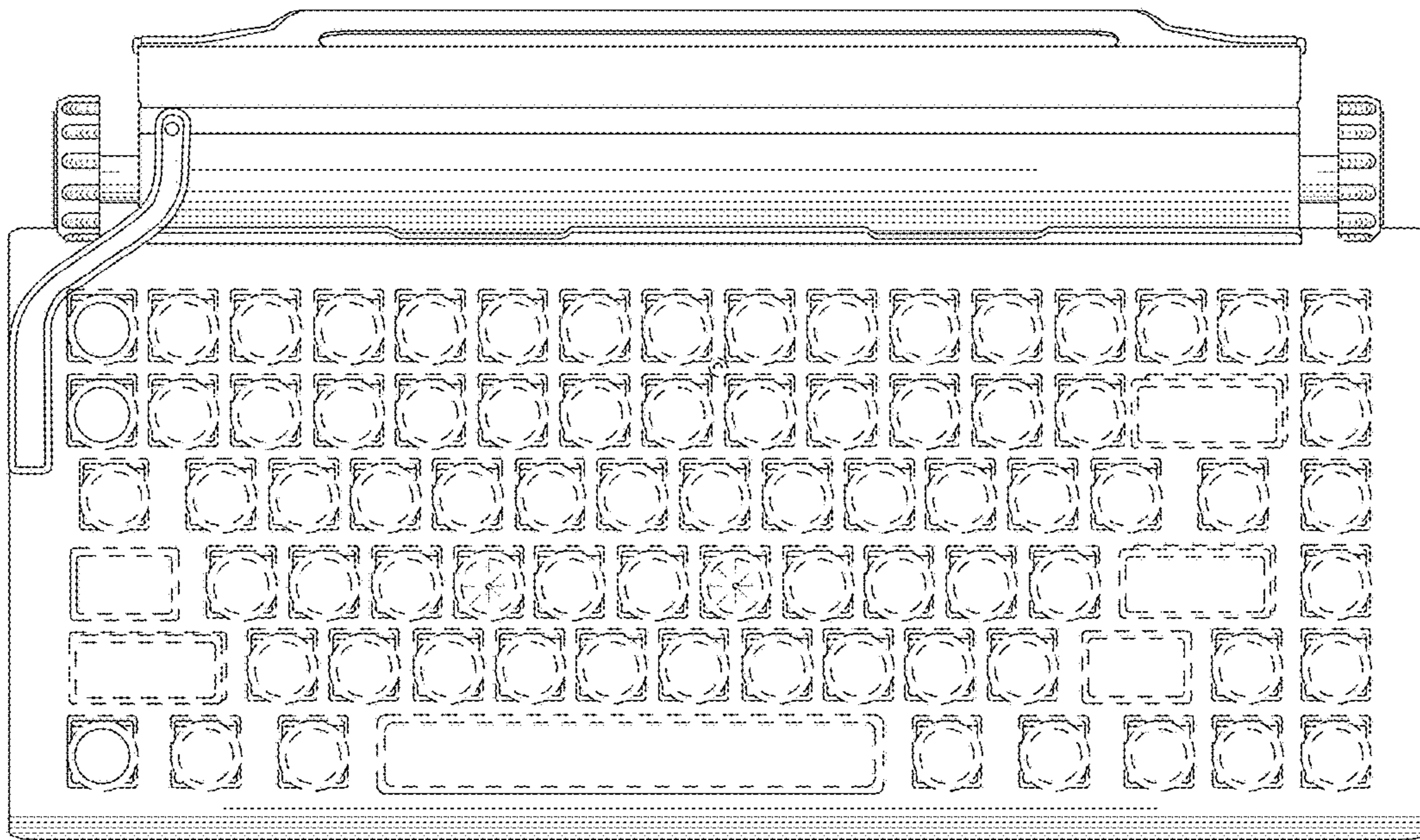


FIG. 5

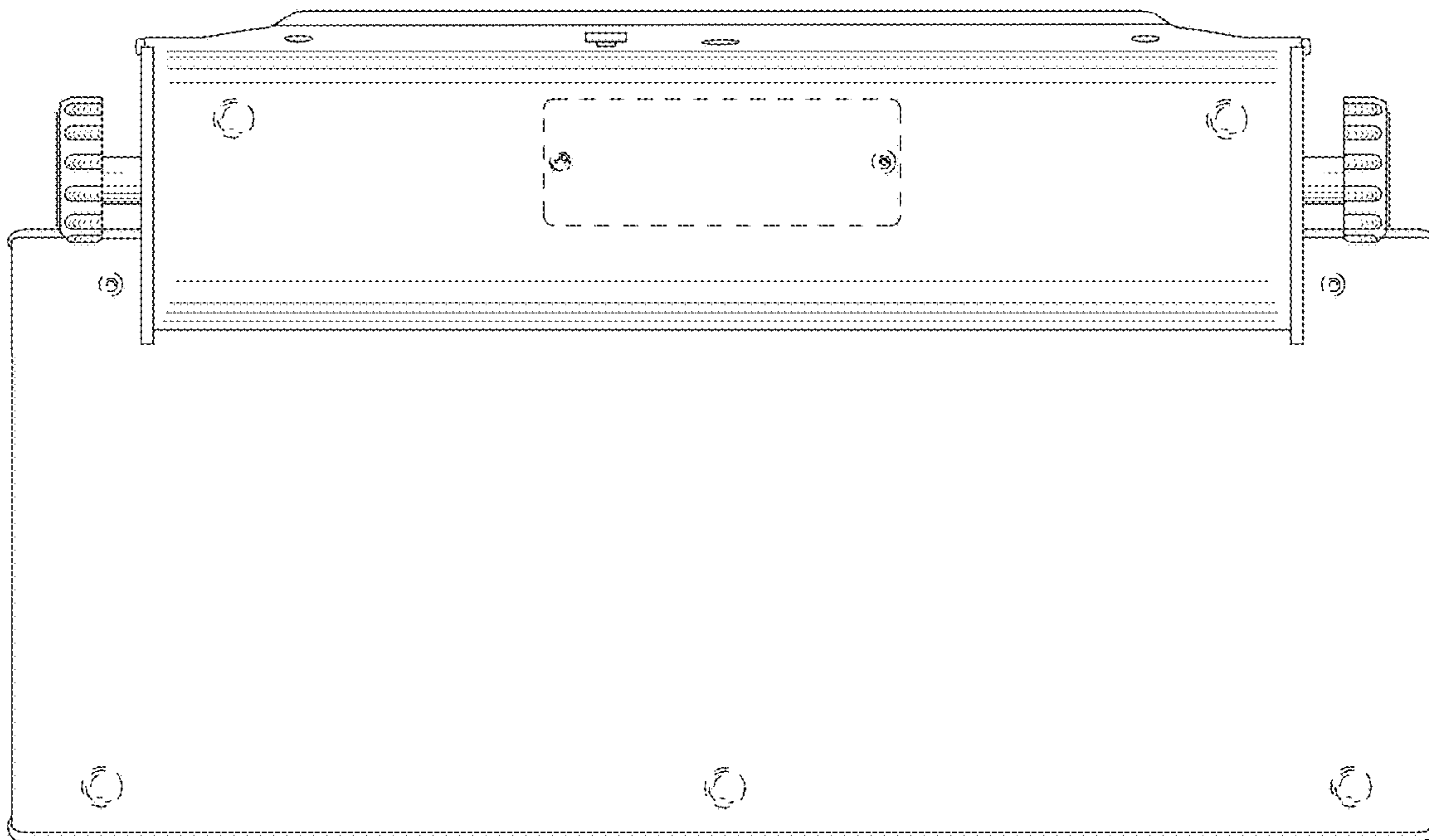


FIG. 6

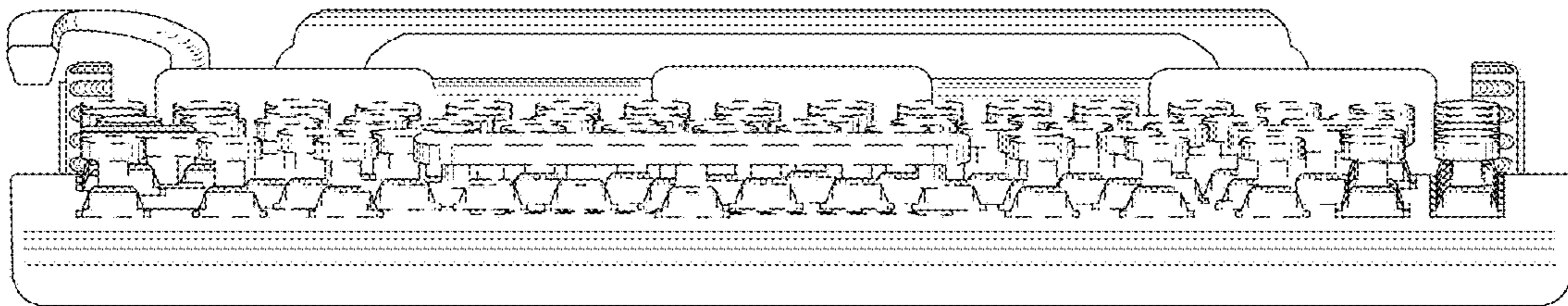


FIG. 7

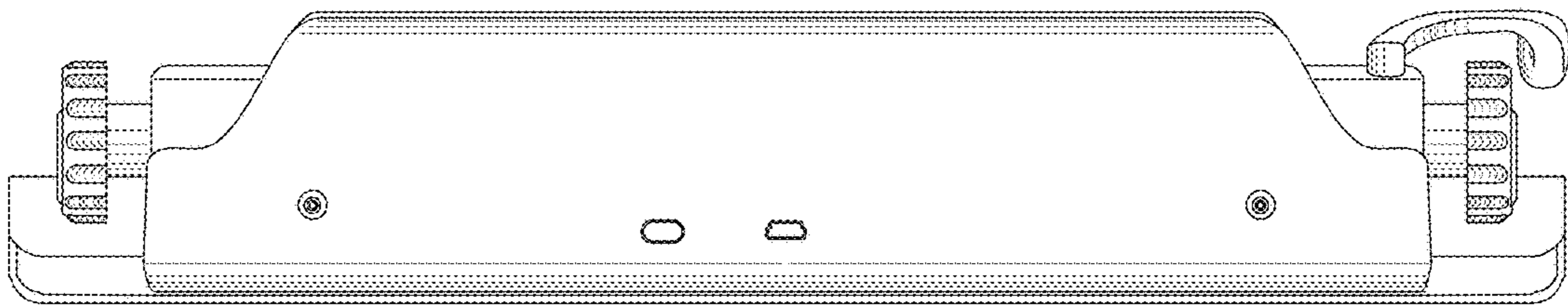


FIG. 8

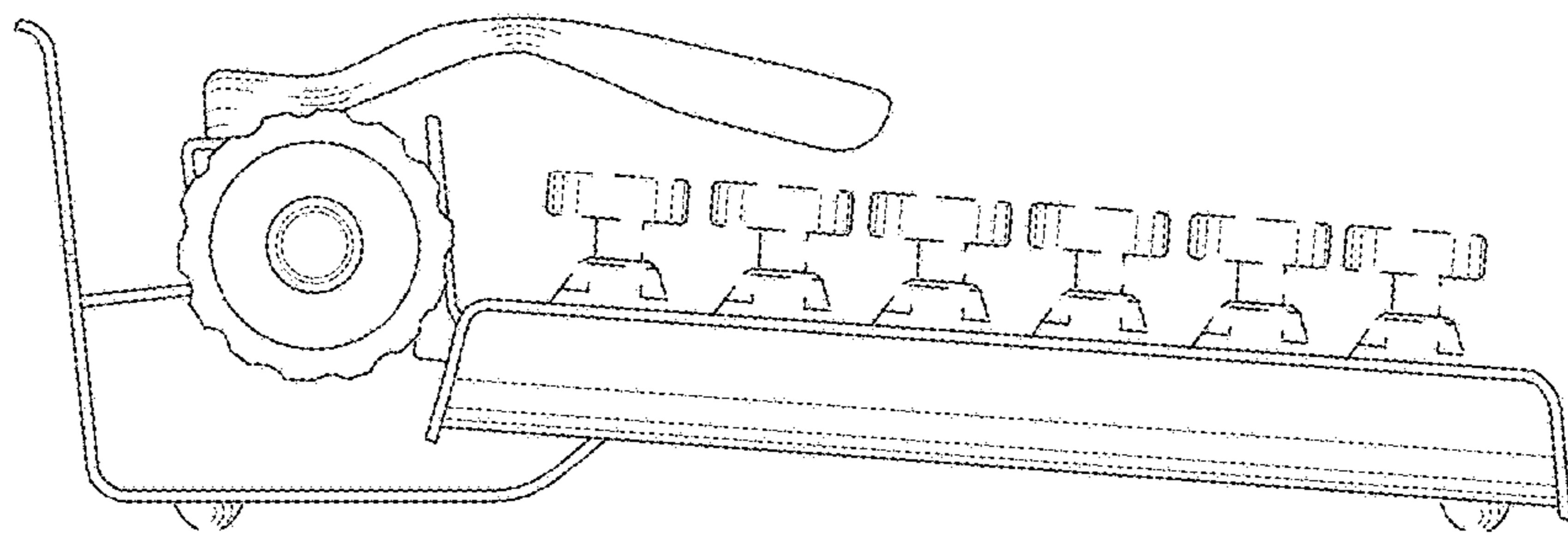


FIG. 9

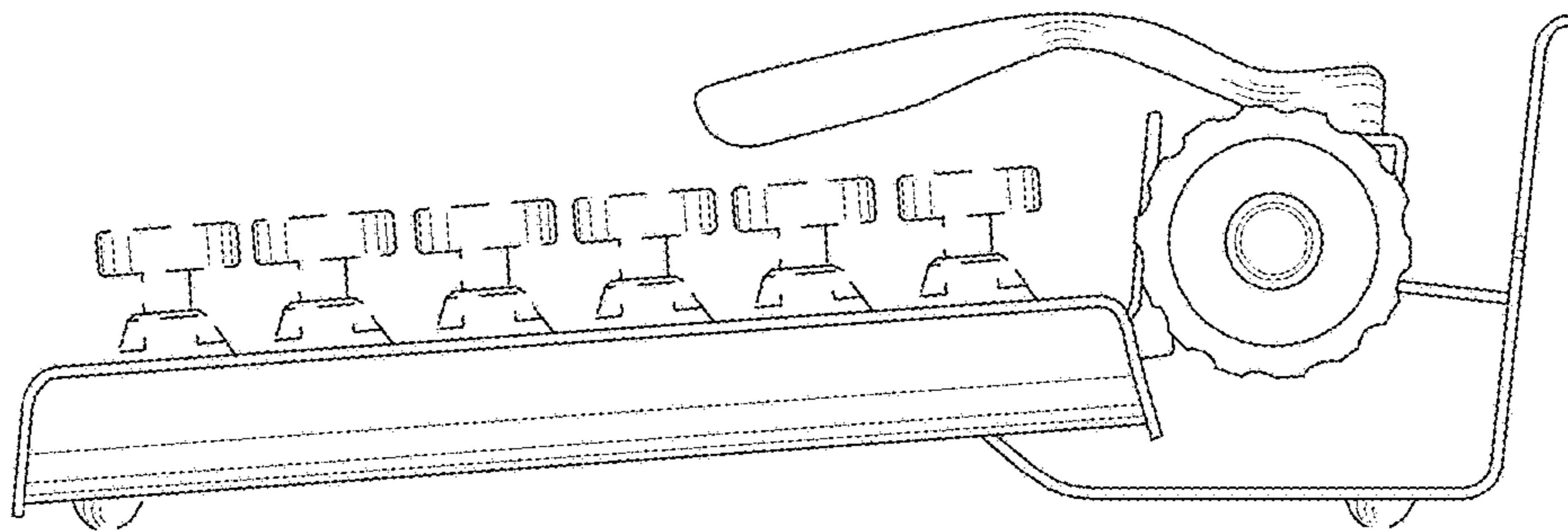


FIG. 10

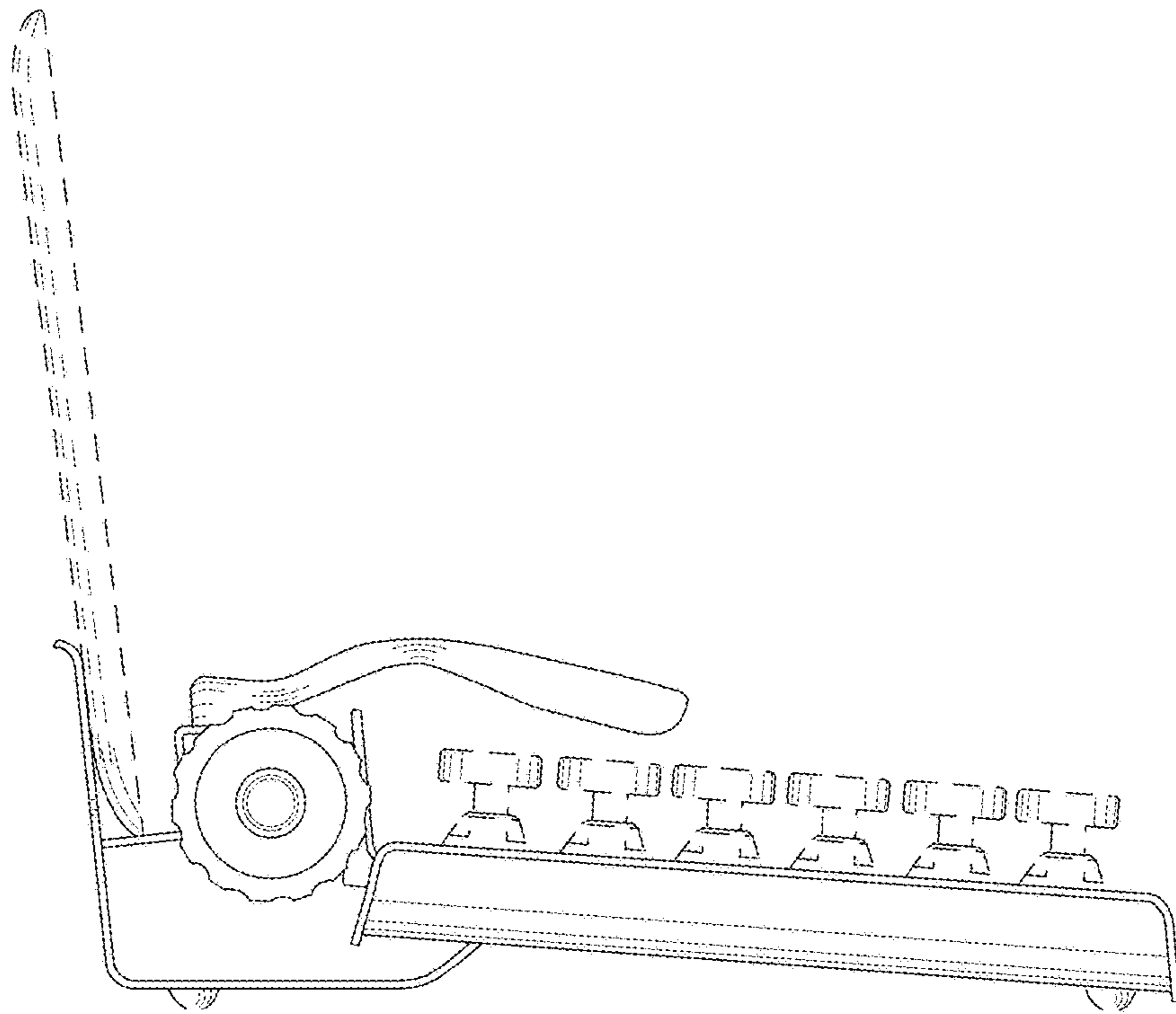


FIG. 11

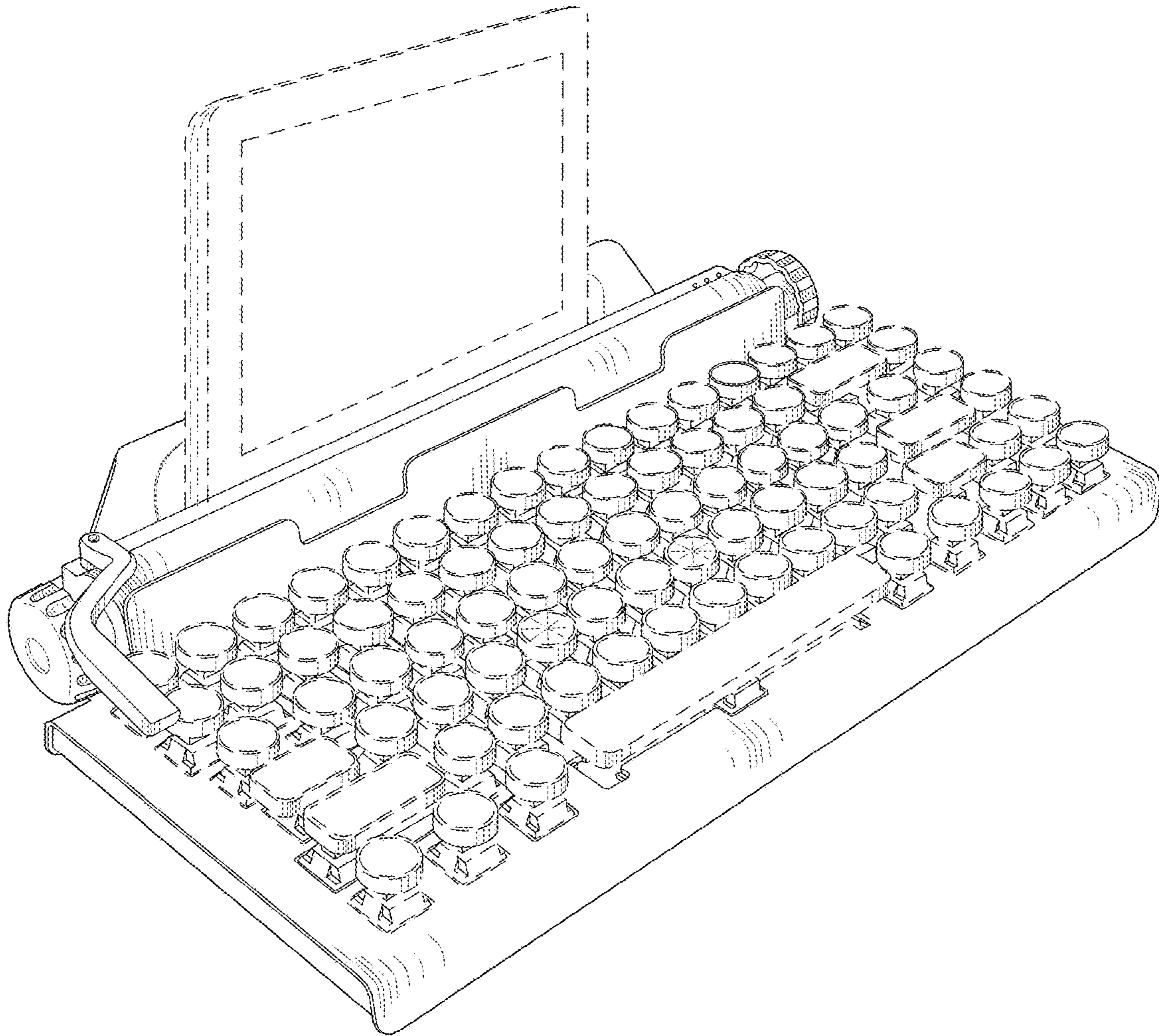


FIG. 12