



US00D775135S

(12) **United States Design Patent**
Pace et al.

(10) **Patent No.:** **US D775,135 S**
(45) **Date of Patent:** **** Dec. 27, 2016**

(54) **MODULAR SUPPORT FRAME ASSEMBLY**

3/126;F16B 47/00; F16B 47/006; A47G
1/17; A47K 2201/00

(71) Applicant: **Revolution Display, LLC**, Glendale,
CA (US)

See application file for complete search history.

(72) Inventors: **Vincent M. Pace**, Sherman Oaks, CA
(US); **Patrick Campbell**, Canyon
Country, CA (US)

(56) **References Cited**

U.S. PATENT DOCUMENTS

(73) Assignee: **Revolution Display, LLC**, Glendale,
CA (US)

(**) Term: **14 Years**

(21) Appl. No.: **29/526,449**

(22) Filed: **May 8, 2015**

(51) **LOC (10) Cl.** **08-07**

(52) **U.S. Cl.**
USPC **D14/451; D6/407**

(58) **Field of Classification Search**
USPC D14/371-382, 125-129, 336, 337,
D14/447-452, 492, 335, 239, 457,
D14/439-441, 432, 251-253; D8/349,
D8/354, 363, 373, 376, 380; D21/333;
D12/415; D3/218; 348/180, 184, 325,
348/739, 825; D6/332, 407, 462, 512,
D6/519, 675.5, 678, 681, 681.1, 681.2,
D6/682, 708, 712; D25/1; D34/29, 38

CPC G06F 3/0412; G06F 3/016; G06F 3/0488;
G06F 3/011; G06F 3/038; G06F 3/03543;
G06F 3/0338; G06F 3/0202; G06F
3/0219; G06F 3/0213; G06F
1/1616; G06F 3/023; G06F
3/04883; G02F 1/13338; G02F 1/1313;
G02F 1/1333; G02F 1/135; G02F 1/132;
G02F 1/133308; G02F 1/134309; G02F
1/13718; G09G 3/3648; G06K 15/1252;
B41J 2/465; G03F 7/70291; G02B
27/0172; G02B 5/30; G02B 2027/0118;
G02B 27/0101; F16M 13/02; F16M
13/00; F16M 11/10; F16M 11/04; F16M
2200/08; F16M 11/2021; A47B 21/0314;
A47B 88/044; A47B 2021/0335; H02G

2,986,284	A *	5/1961	Colbert	A47B 81/007 211/134
3,533,502	A *	10/1970	Hansen	A47B 45/00 206/386
5,190,171	A *	3/1993	Christman, Jr.	B62B 3/006 211/186
7,077,373	B1 *	7/2006	Hoebener	F16M 11/10 248/278.1
D628,353	S *	11/2010	Garton	D34/38
D639,448	S *	6/2011	Grainger	D25/1
D686,629	S *	7/2013	Trinh	D14/447
D750,087	S *	2/2016	Wu	D14/447
D753,097	S *	4/2016	Hochman	D14/239
D762,396	S *	8/2016	Pace	D6/407

(Continued)

Primary Examiner — Garth Rademaker

Assistant Examiner — Katie S Mroczka

(74) *Attorney, Agent, or Firm* — Downs Rachlin Martin
PLLC

(57) **CLAIM**

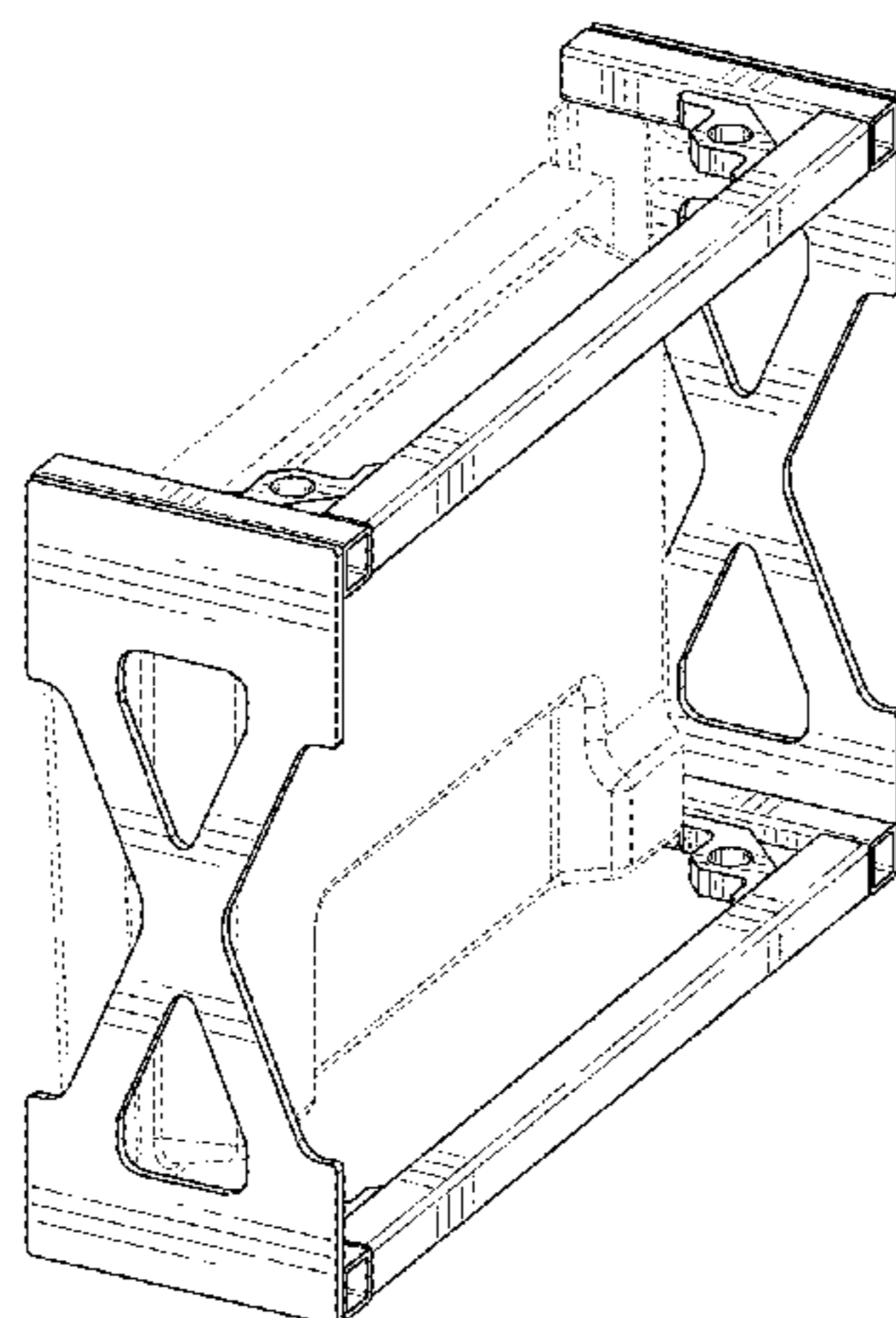
The ornamental design for a modular support frame assembly, as shown and described.

DESCRIPTION

FIG. 1 is a perspective view of a modular support frame assembly showing our new design;
FIG. 2 is a front view thereof;
FIG. 3 is a rear view thereof;
FIG. 4 is a side view thereof;
FIG. 5 is a second side view thereof;
FIG. 6 is a top view thereof; and,
FIG. 7 is a bottom view thereof.

The broken lines illustrating the monitor in FIGS. 1-7 are environment, while the remaining broken lines in FIGS. 1-7

(Continued)



illustrate portions of the modular support frame assembly.
None of the broken lines form any part of the claimed
design.

1 Claim, 7 Drawing Sheets

(56)

References Cited

U.S. PATENT DOCUMENTS

D763,007 S *	8/2016	Pace	D6/407
D763,008 S *	8/2016	Pace	D6/407
2007/0278169 A1 *	12/2007	Grainger	B65D 19/08 211/186

* cited by examiner

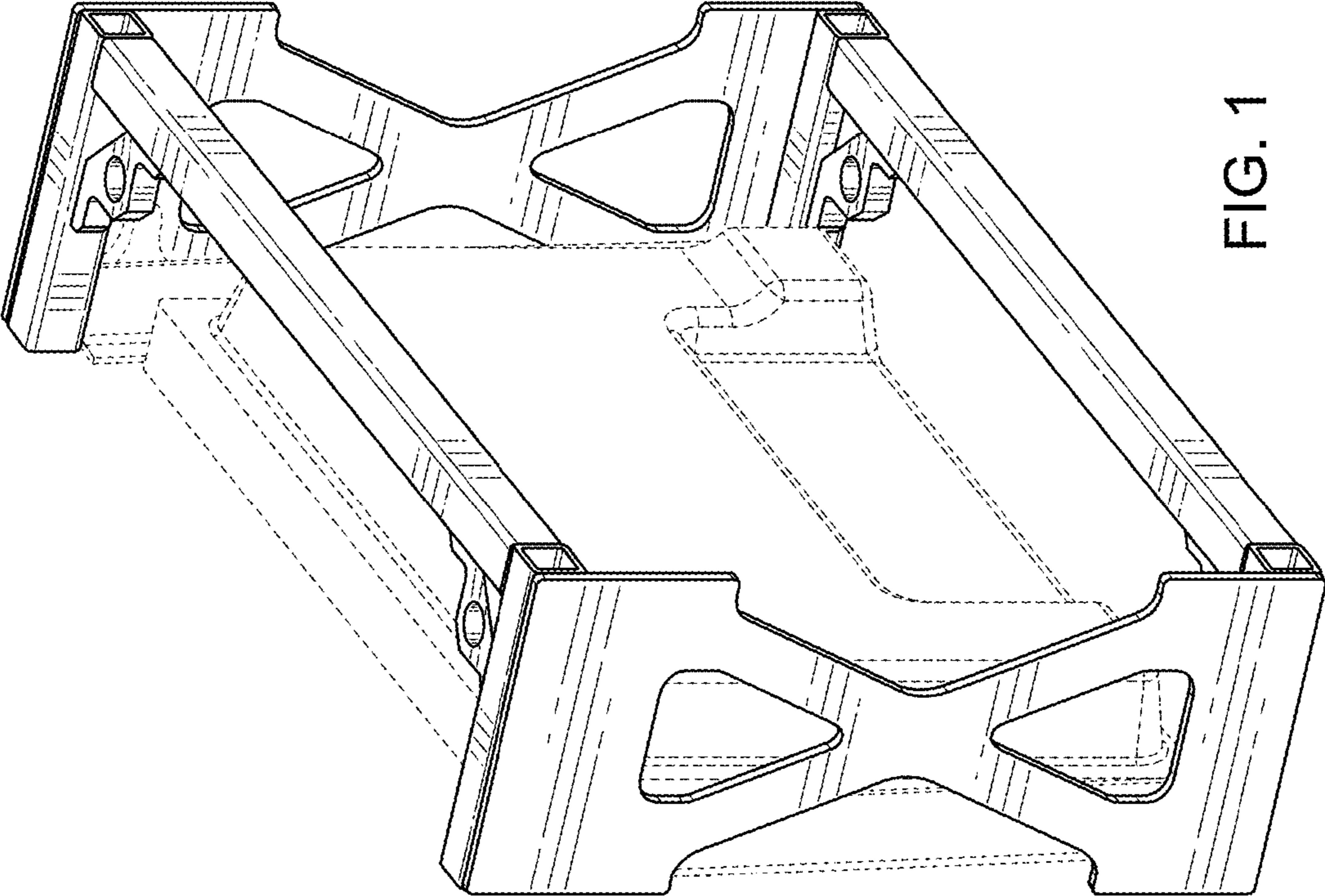


FIG. 1

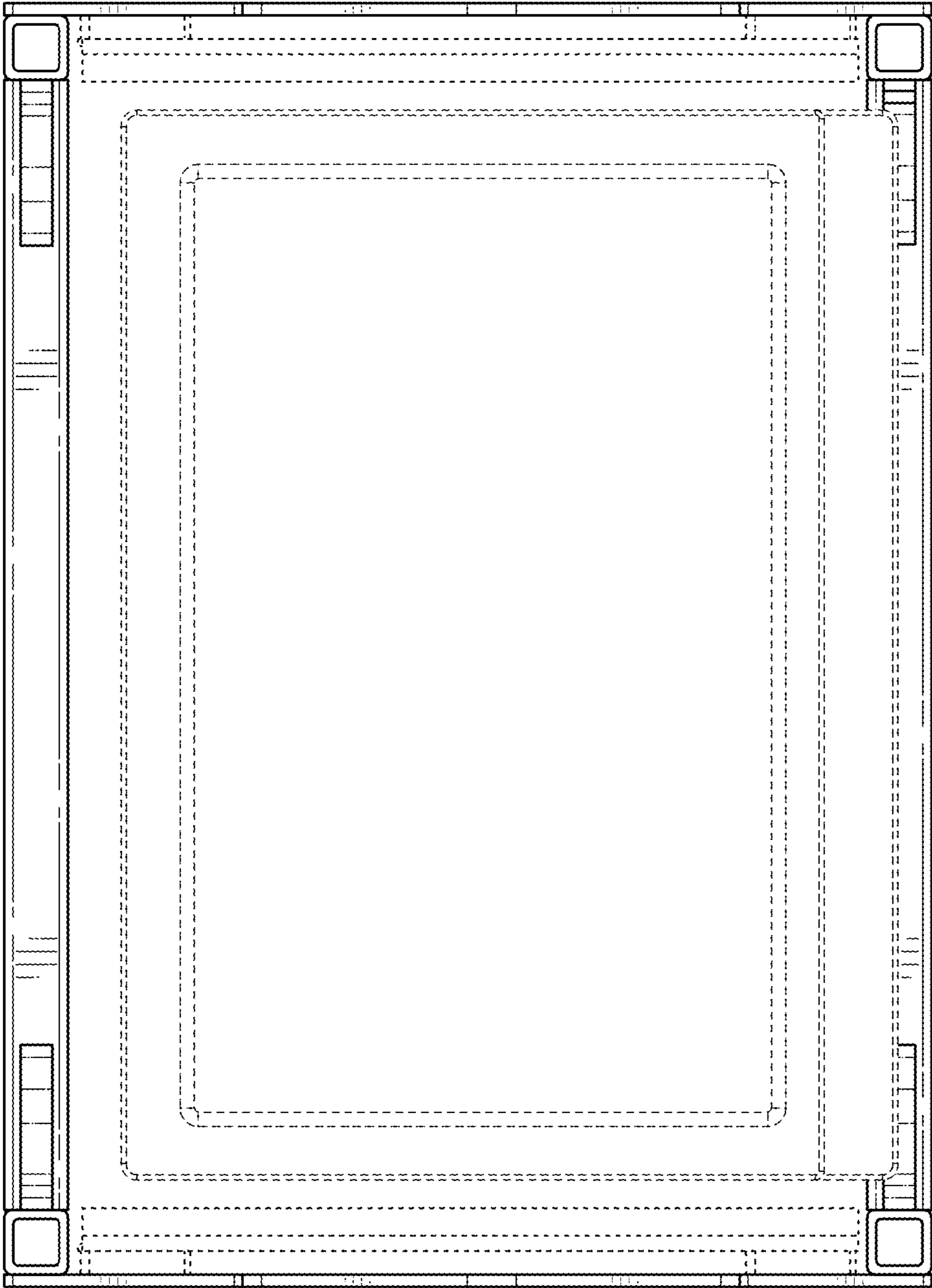


FIG. 2

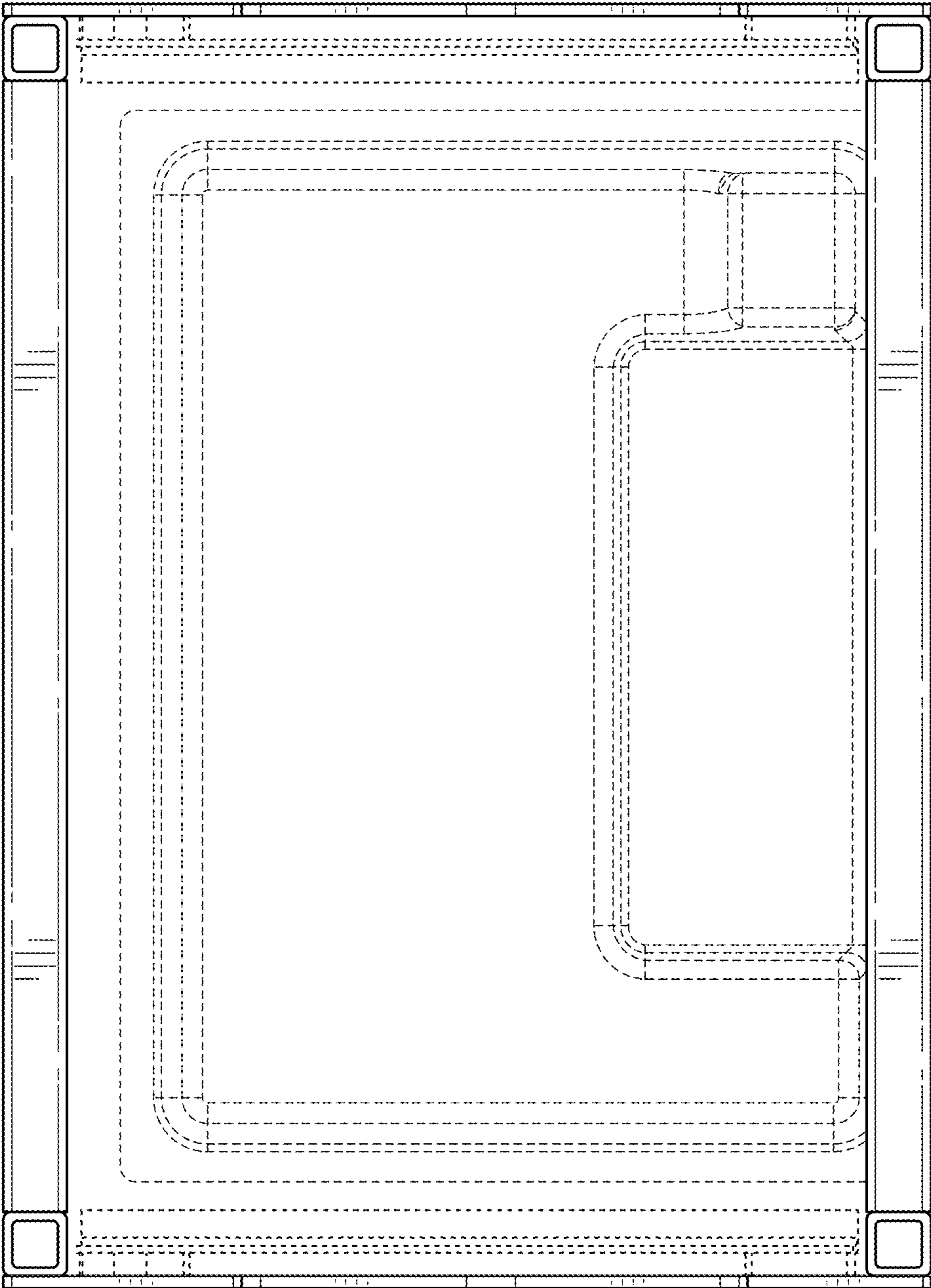


FIG. 3

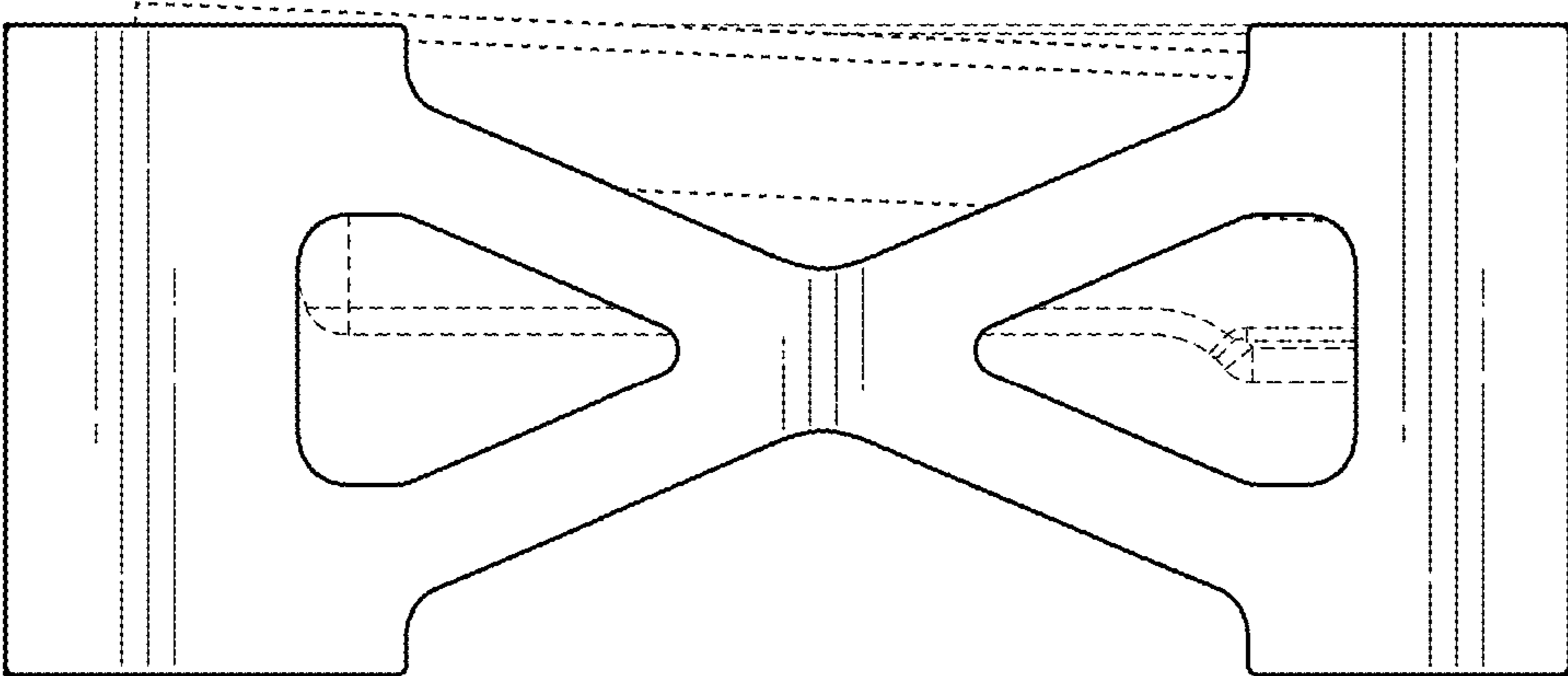


FIG. 4

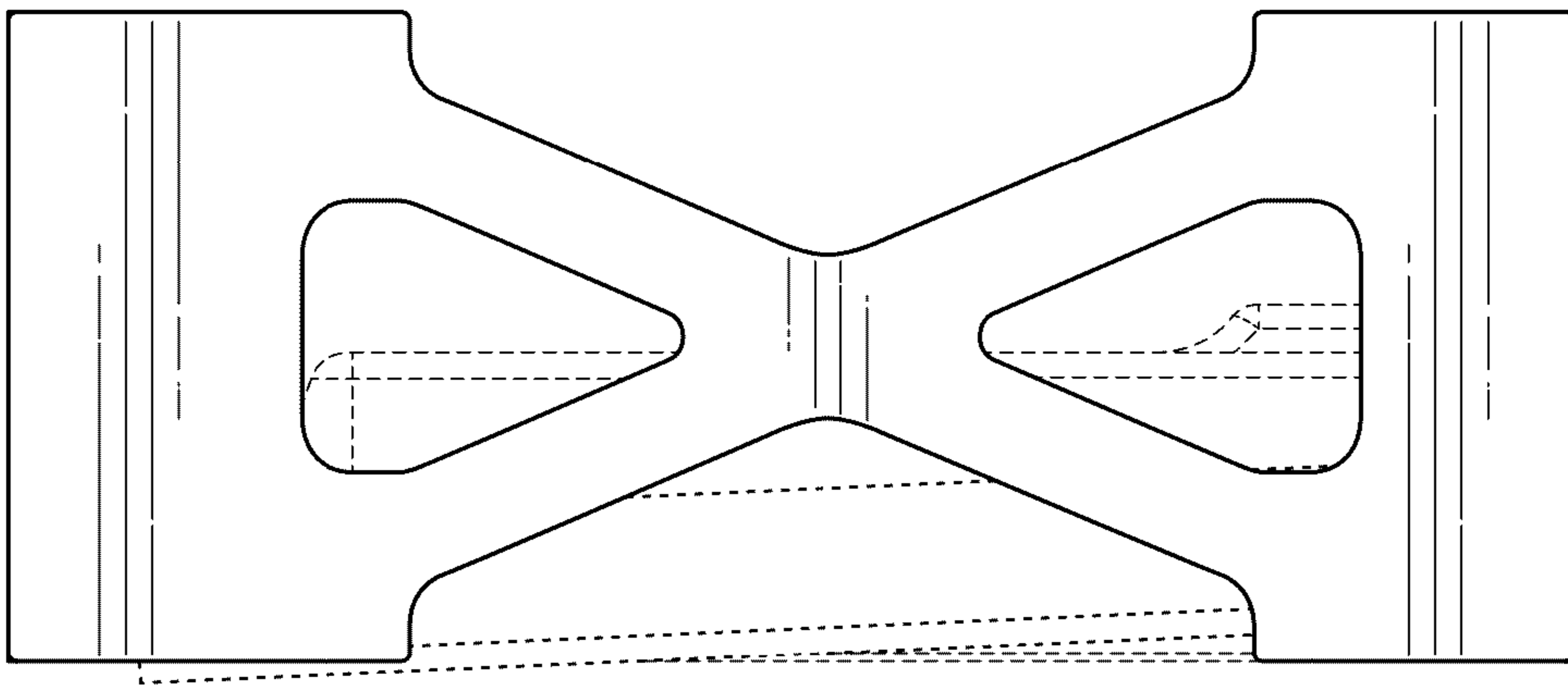


FIG. 5

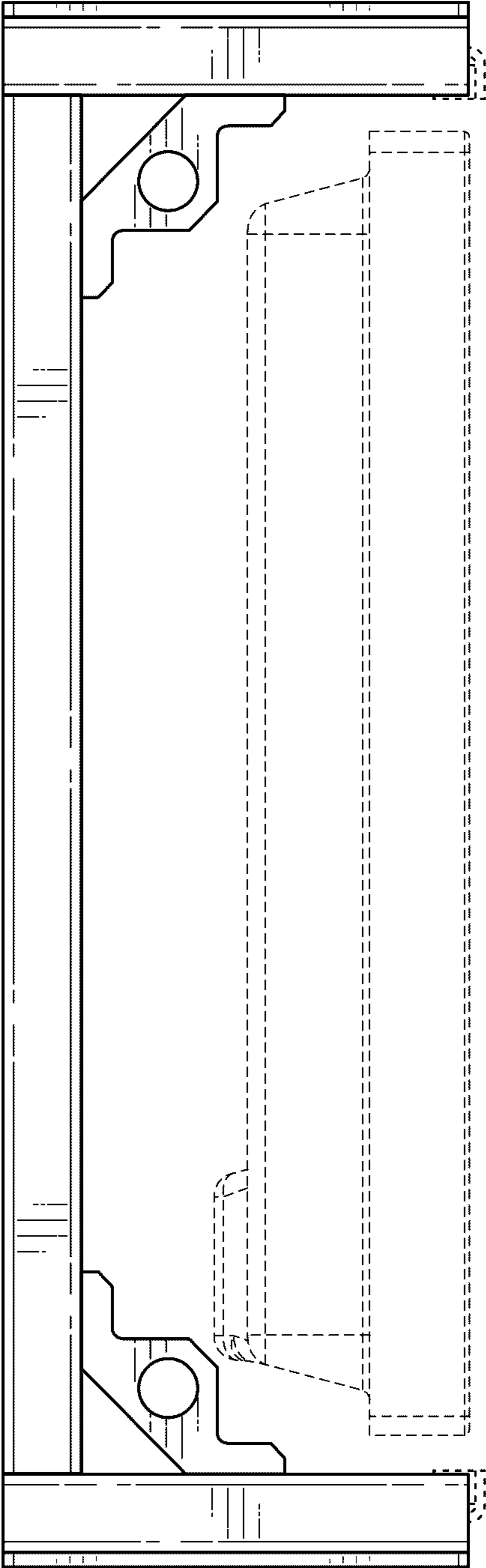


FIG. 6

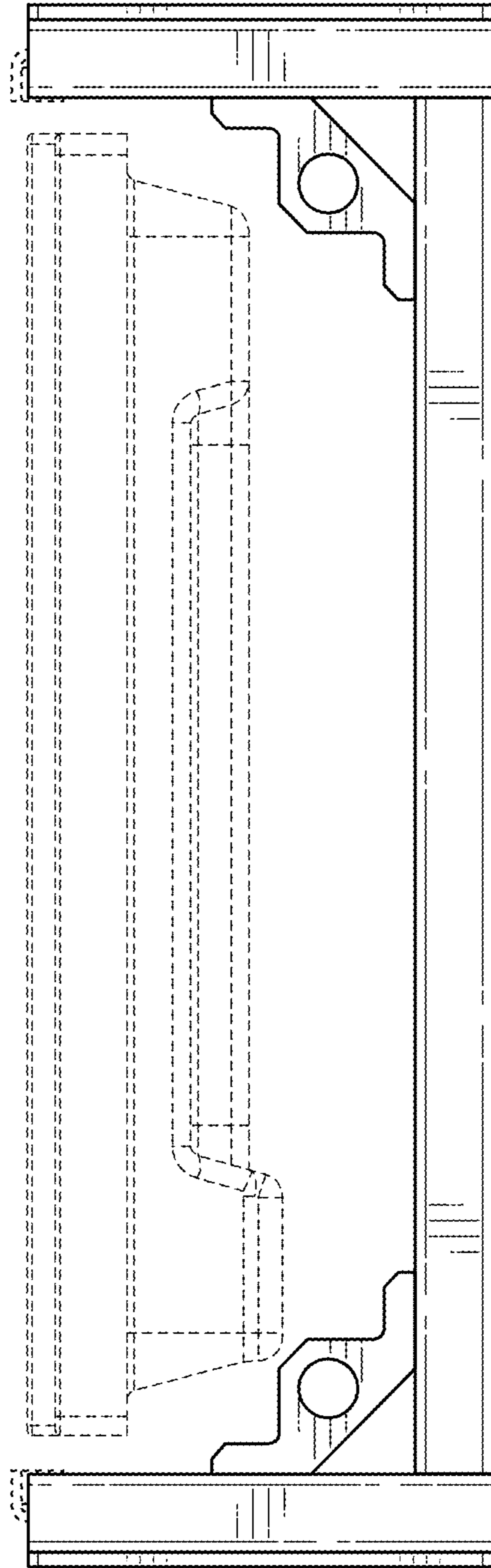


FIG. 7