



US00D775134S

(12) **United States Design Patent** (10) **Patent No.:** **US D775,134 S**
Kuo (45) **Date of Patent:** **** Dec. 27, 2016**

(54) **COVER PANEL**

(71) Applicant: **ADLINK TECHNOLOGY INC.**, New Taipei (TW)

(72) Inventor: **Jen-Chieh Kuo**, New Taipei (TW)

(73) Assignee: **ADLINK TECHNOLOGY INC.**, New Taipei (TW)

(**) Term: **14 Years**

(21) Appl. No.: **29/526,400**

(22) Filed: **May 8, 2015**

(51) **LOC (10) Cl.** **14-02**

(52) **U.S. Cl.**
USPC **D14/441**

(58) **Field of Classification Search**
USPC D14/240, 300, 301, 308, 313, 314,
D14/348-356, 364-368, 441-446, 188;
D13/123, 158, 162, 184, 199;
312/223.1-223.3, 351.11;
360/99.01-99.12; 369/34.01-36.01;
361/679.31-679.33, 679.37, 679.39,
361/679.46, 679.53, 679.4, 679.41, 727
CPC G06F 1/20; G06F 1/181; G06F 1/187;
G06F 1/183; G06F 1/184; H05K
7/16; H05K 7/1424; H05K 7/1409; H05K
7/20; H05K 7/20545; H05K
7/20727; H05K 7/1425; H05K 7/1488;
H05K 7/183; H05K 7/14; H05H
7/20; G11B 33/126; G11B 33/128; G11B
33/08; G11B 33/02

See application file for complete search history.

(56) **References Cited**

U.S. PATENT DOCUMENTS

D394,252 S *	5/1998	Dingman	D14/441
D555,654 S *	11/2007	Chen	D14/441
D669,082 S *	10/2012	Sato	D14/248
D678,259 S *	3/2013	Moore	D14/250
2010/0289390 A1 *	11/2010	Kenney	B29C 43/006 312/223.1

* cited by examiner

Primary Examiner — Freda S Nunn

(74) *Attorney, Agent, or Firm* — Muncy, Geissler, Olds & Lowe, P.C.

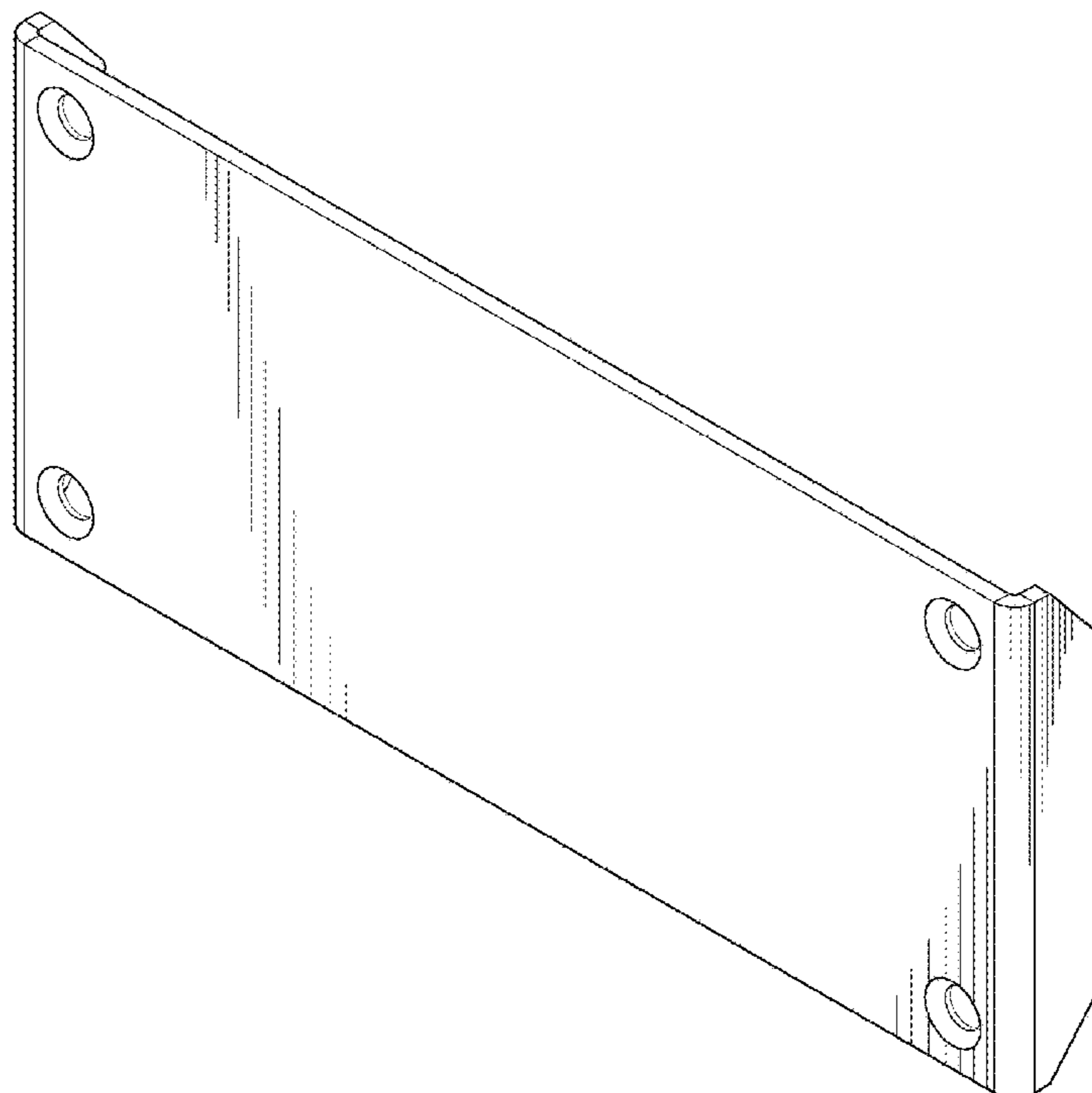
(57) **CLAIM**

The ornamental design for a cover panel, as shown and described.

DESCRIPTION

FIG. 1 is a perspective view of a cover panel showing my design;
FIG. 2 is a front view thereof;
FIG. 3 is a rear view thereof;
FIG. 4 is a left side view thereof;
FIG. 5 is a right side view thereof;
FIG. 6 is a top view thereof; and
FIG. 7 is a bottom view thereof; and,
FIG. 8 is a perspective view thereof shown in the operating condition and the housing shown in broken lines represents environment only and forms no part of the claimed design.

1 Claim, 8 Drawing Sheets



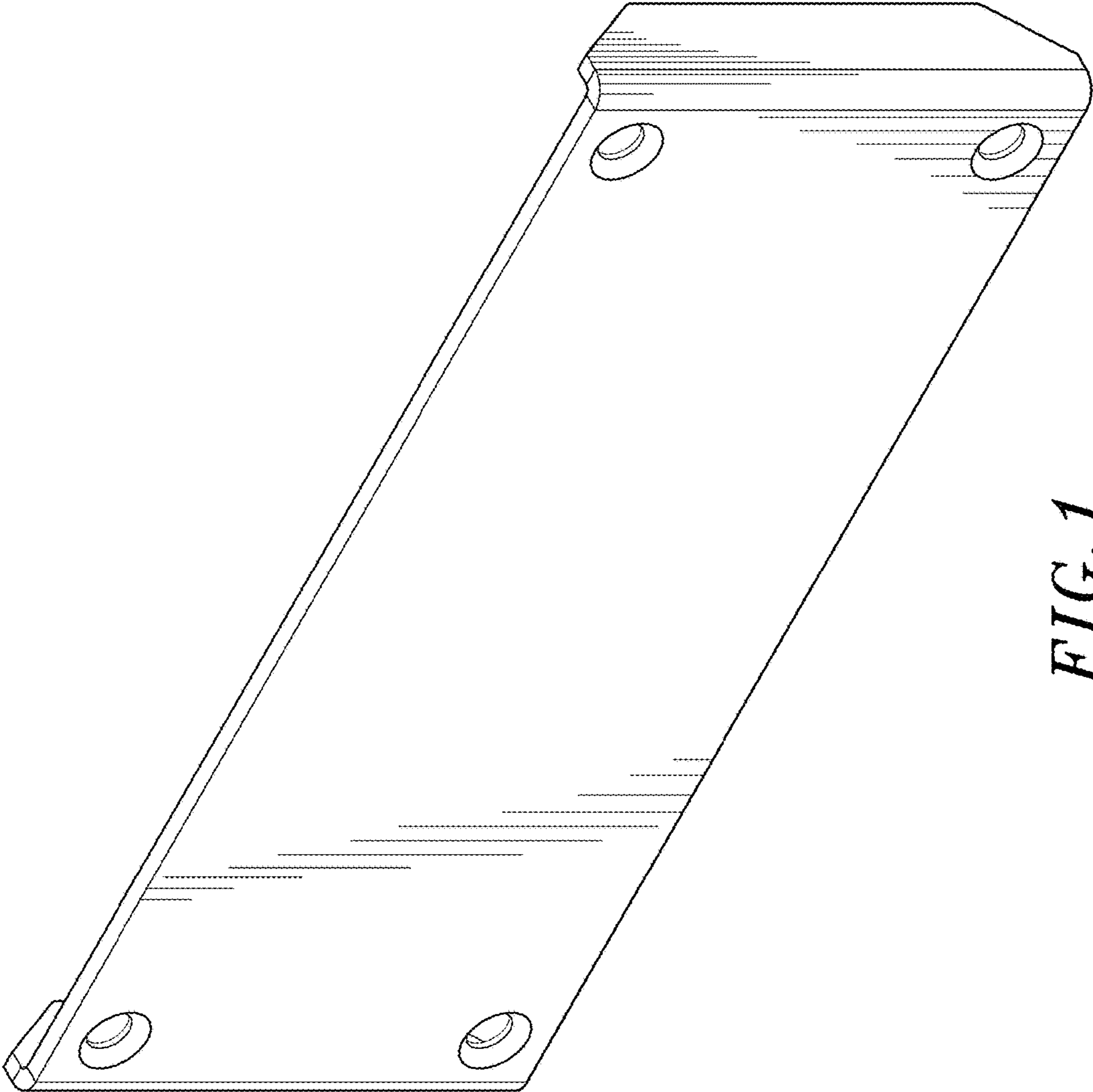


FIG. 1

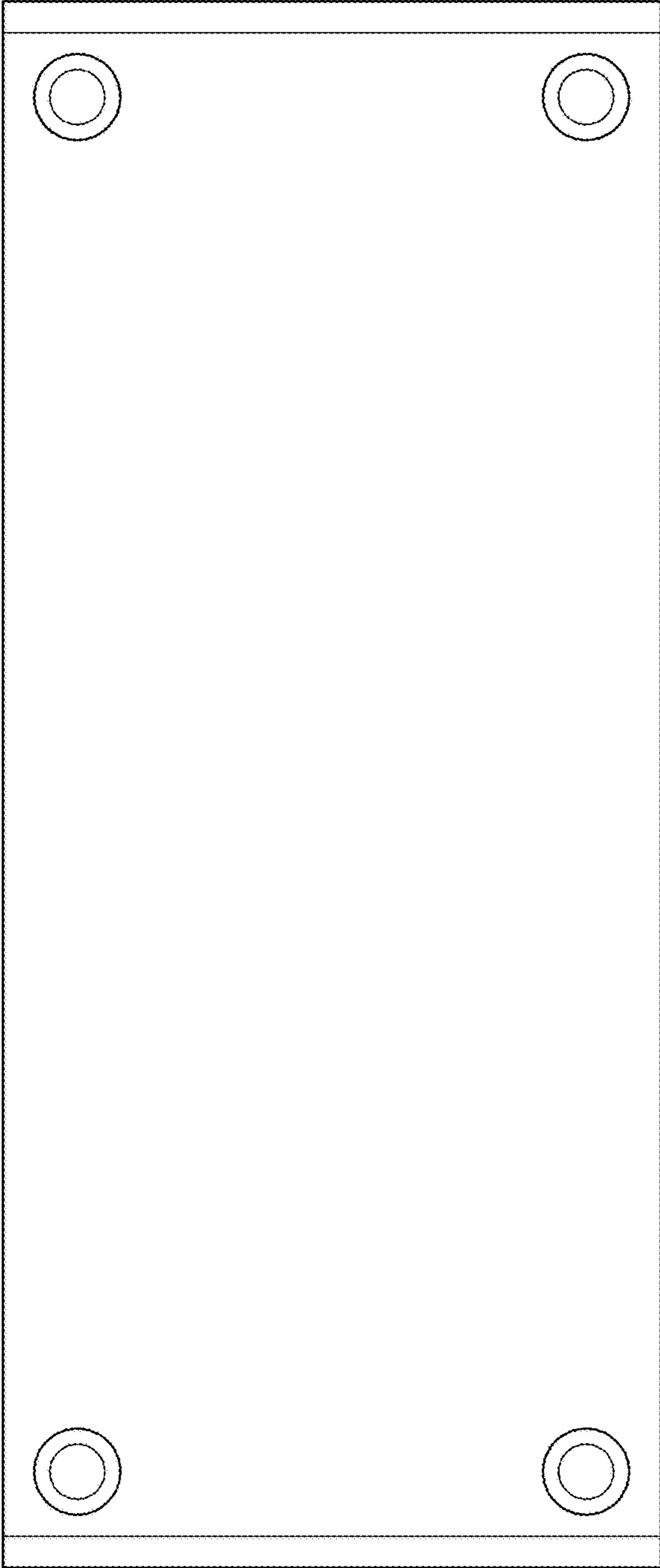


FIG. 2

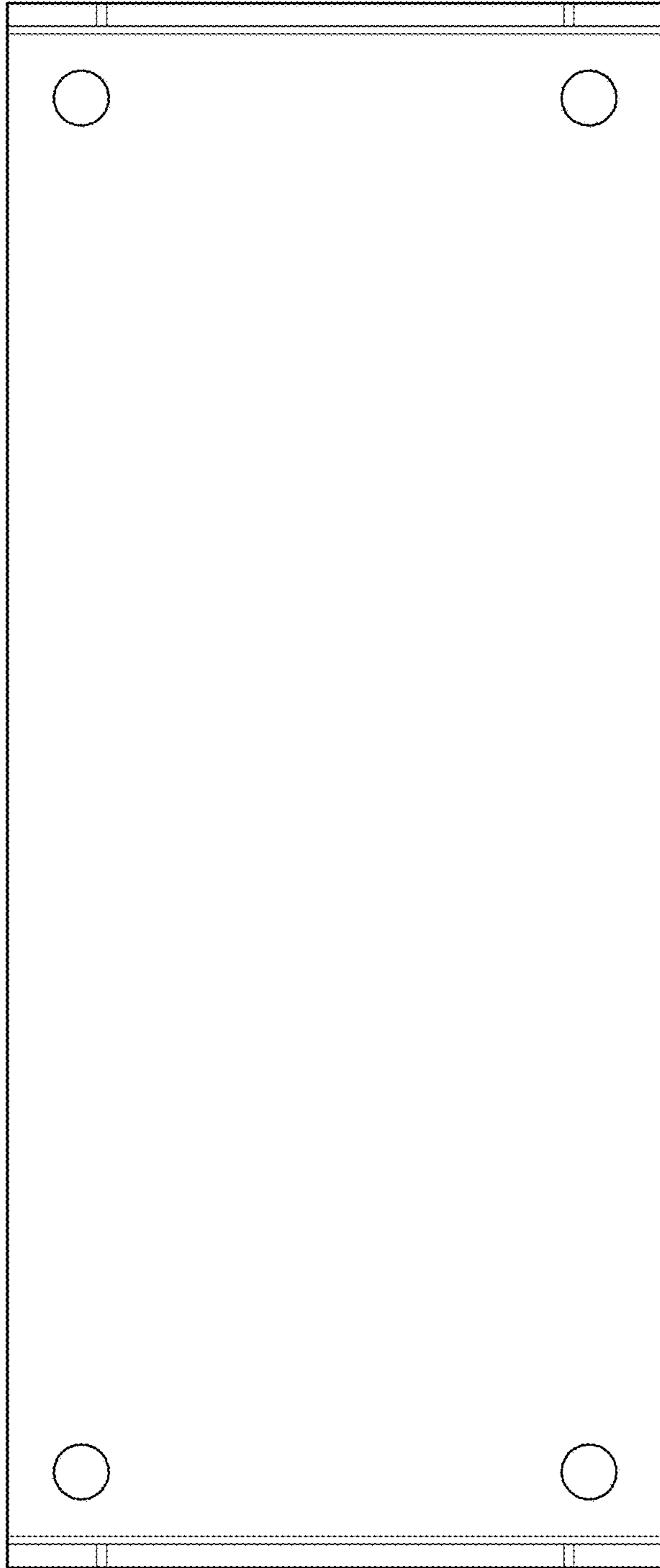


FIG. 3

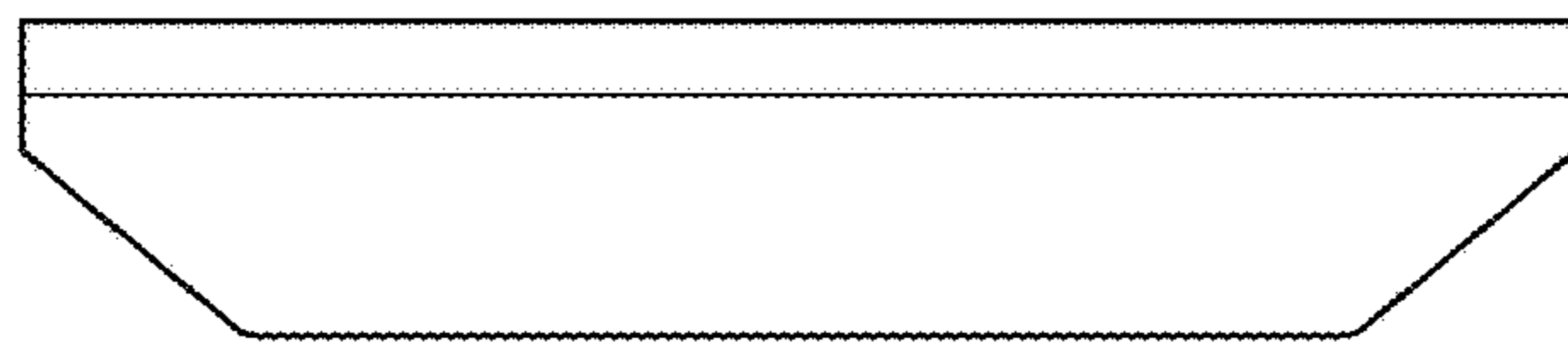


FIG. 4

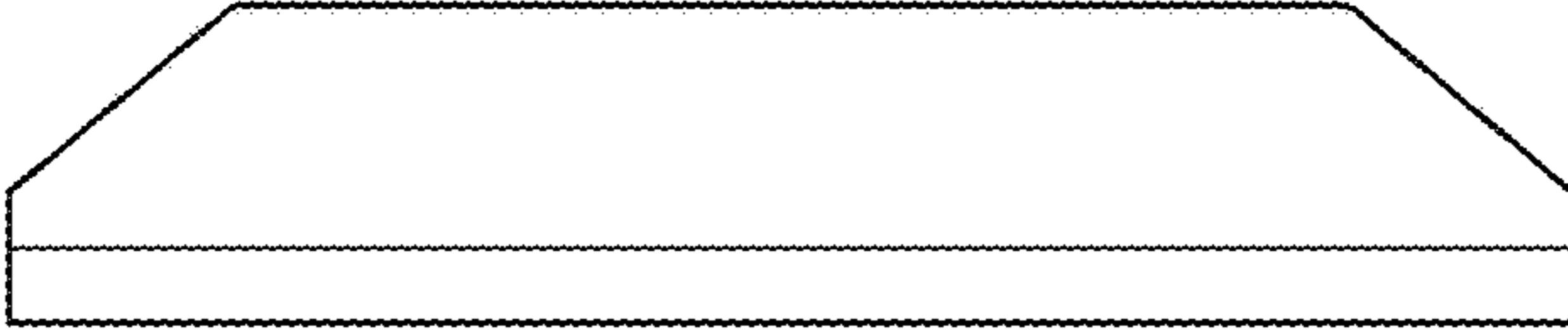


FIG. 5

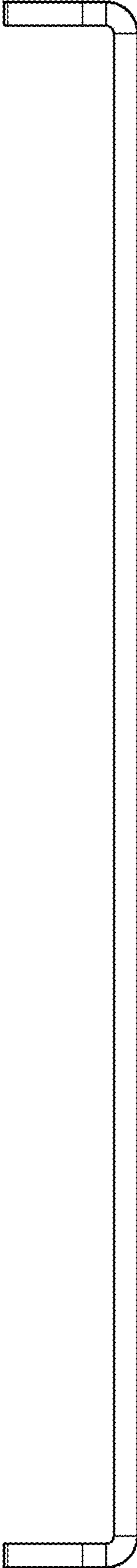


FIG. 6

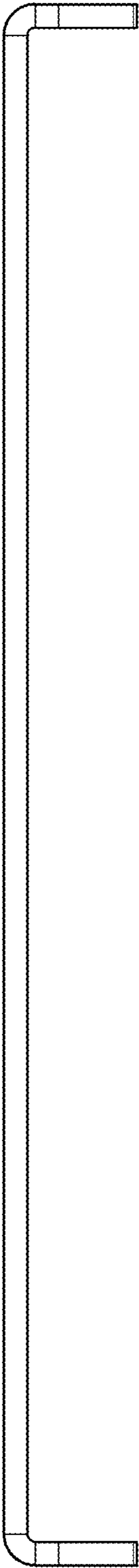


FIG. 7

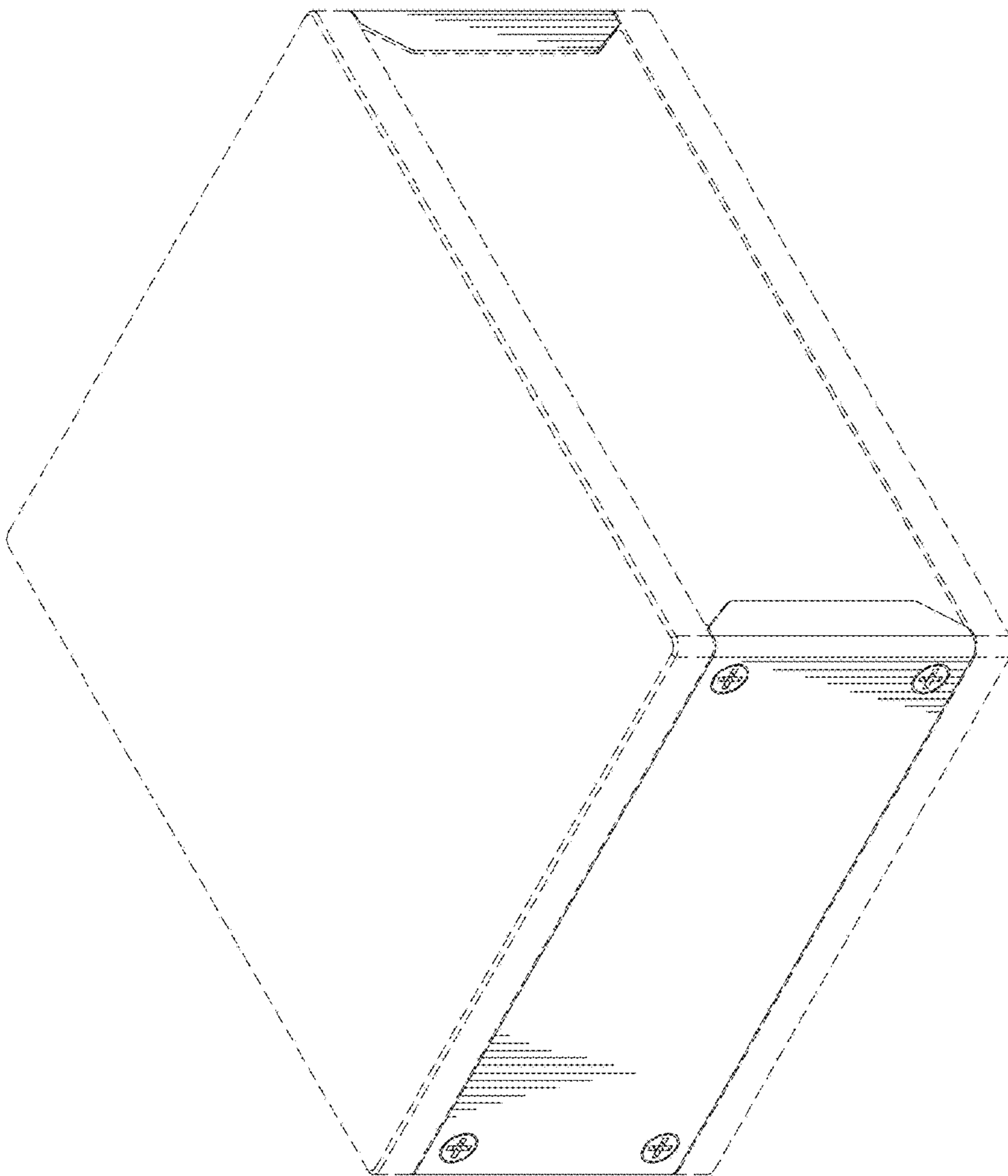


FIG. 8