



US00D775133S

(12) **United States Design Patent** (10) **Patent No.:** **US D775,133 S**
Akana et al. (45) **Date of Patent:** **** Dec. 27, 2016**

(54) **CONNECTOR**

(71) Applicant: **Apple Inc.**, Cupertino, CA (US)

(72) Inventors: **Jody Akana**, San Francisco, CA (US); **Molly Anderson**, San Francisco, CA (US); **Bartley K. Andre**, Palo Alto, CA (US); **Shota Aoyagi**, San Francisco, CA (US); **Anthony Michael Ashcroft**, San Francisco, CA (US); **Jeremy Bataillou**, San Francisco, CA (US); **Daniel J. Coster**, San Francisco, CA (US); **Daniele De Iuliis**, San Francisco, CA (US); **M. Evans Hankey**, San Francisco, CA (US); **Julian Hoenig**, San Francisco, CA (US); **Richard P. Howarth**, San Francisco, CA (US); **Jonathan P. Ive**, San Francisco, CA (US); **Duncan Robert Kerr**, San Francisco, CA (US); **Matthew Dean Rohrbach**, San Francisco, CA (US); **Peter Russell-Clarke**, San Francisco, CA (US); **Benjamin Andrew Shaffer**, San Jose, CA (US); **Mikael Silvano**, San Francisco, CA (US); **Christopher J. Stringer**, Woodside, CA (US); **Eugene Antony Whang**, San Francisco, CA (US); **Rico Zörkendörfer**, San Francisco, CA (US)

(73) Assignee: **Apple Inc.**, Cupertino, CA (US)

(**) Term: **15 Years**

(21) Appl. No.: **29/538,797**

(22) Filed: **Sep. 8, 2015**

(51) **LOC (10) Cl.** **14-02**

(52) **U.S. Cl.**
USPC **D14/440**

(58) **Field of Classification Search**
USPC ... D14/440, 250, 447; 206/45.23, 320, 45.2;
361/679.55; 294/25; 224/218

(Continued)

(56) **References Cited**

U.S. PATENT DOCUMENTS

3,461,009 A * 8/1969 Snyder B29C 33/0011
156/242
5,908,265 A * 6/1999 Mostkoff A01K 61/006
405/21

(Continued)

OTHER PUBLICATIONS

U.S. Appl. No. 29/432,432, filed Sep. 14, 2012; Inventor. Stephen O. Lemay.

(Continued)

Primary Examiner — Cynthia Underwood
(74) *Attorney, Agent, or Firm* — Sterne, Kessler, Goldstein & Fox P.L.L.C.

(57) **CLAIM**

The ornamental design for a connector, as shown and described.

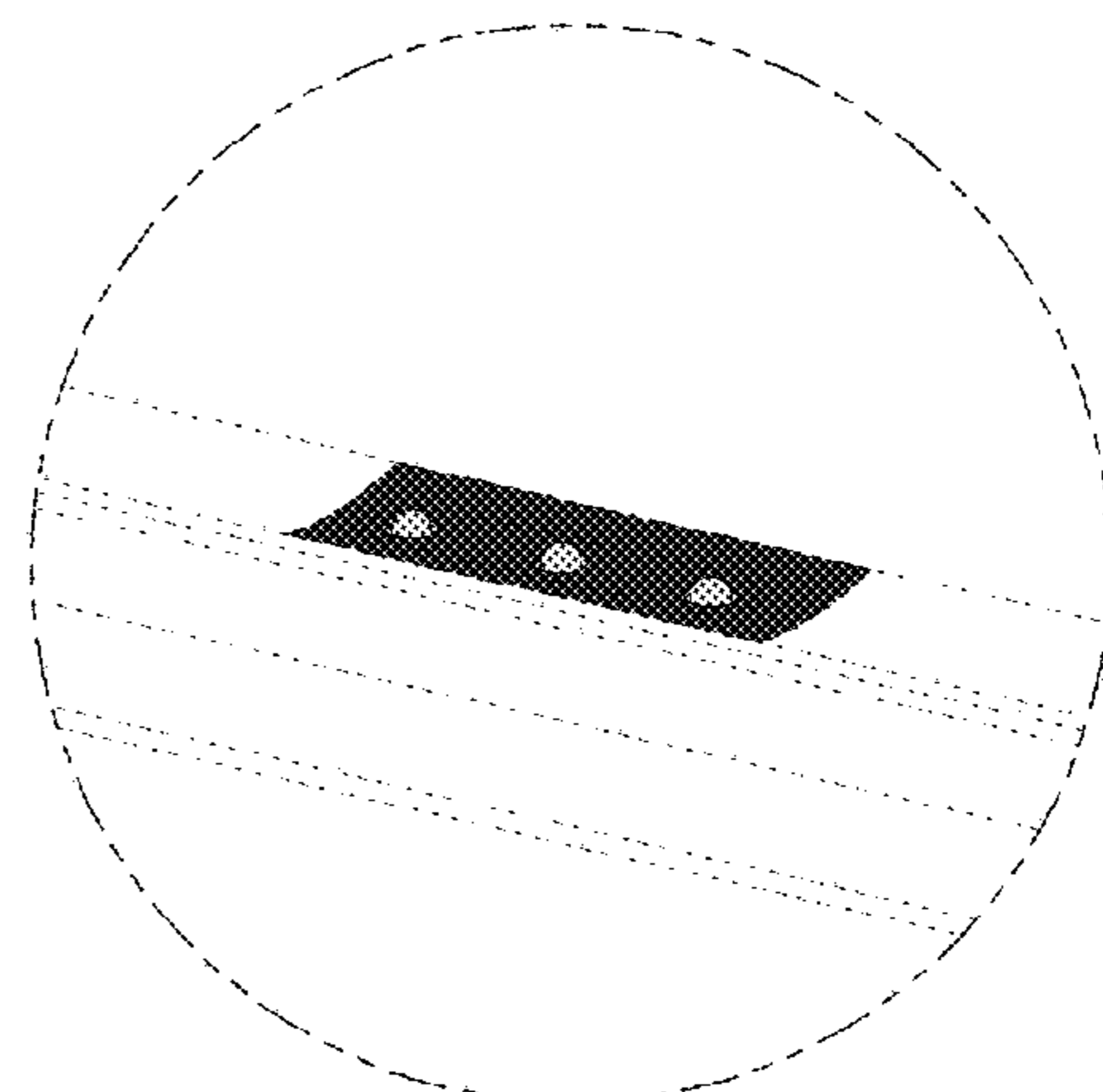
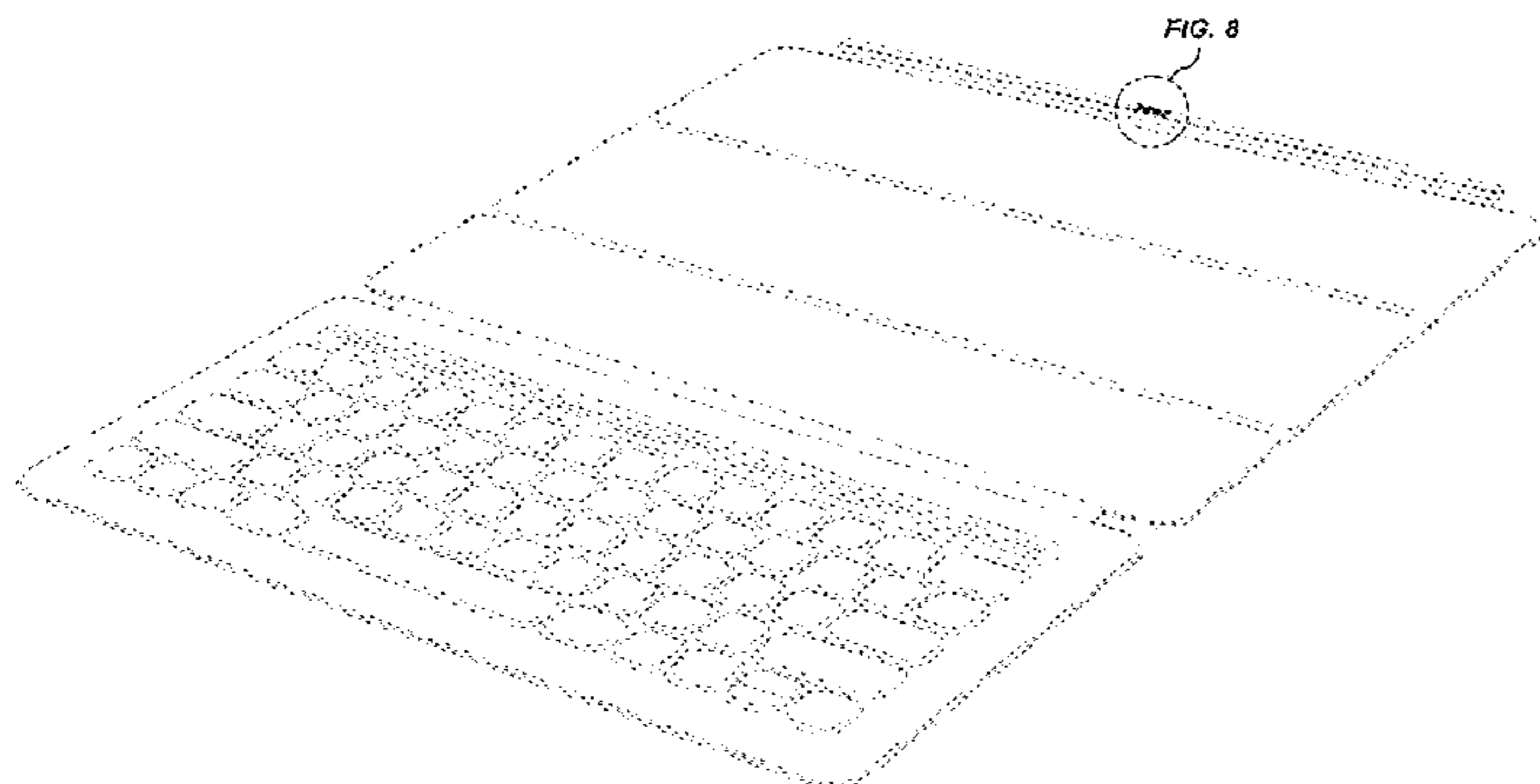
DESCRIPTION

FIG. 1 is a top front perspective view of a connector showing the claimed design;
FIG. 2 is a front view thereof;
FIG. 3 is a rear view thereof;
FIG. 4 is a left side view thereof;
FIG. 5 is a right side view thereof;
FIG. 6 is a top view thereof;
FIG. 7 is a bottom view thereof;
FIG. 8 is an enlarged view of a portion of FIG. 1; and,
FIG. 9 is an enlarged view of a portion of FIG. 6.

The dashed broken lines represent environment that forms no part of the claimed design. The dot-dash broken lines show the boundary of the claim and form no part of the claimed design.

The figures are lined for color to represent contrasting appearance. The light gray shading is representative of a

(Continued)



metal appearance; the dark gray shading is representative of a textile or other soft good material.

1 Claim, 7 Drawing Sheets

(58) Field of Classification Search

CPC G06F 1/1628; G06F 1/1626; G06F 1/1667; A47B 23/044; H04B 1/3888; A45C 11/00; A45C 3/02; H05K 5/0217

See application file for complete search history.

(56)

References Cited

U.S. PATENT DOCUMENTS

D467,429	S	*	12/2002	Bone	D3/294
D581,726	S	*	12/2008	Shamoon	D7/387
D607,826	S	*	1/2010	Shaw	D13/133
D607,827	S	*	1/2010	Shaw	D13/133
D645,471	S		9/2011	Gardner et al.		
8,124,216	B2	*	2/2012	Antonini	B32B 3/00 150/154

D656,929	S	*	4/2012	Hsiung	D14/250
D695,464	S	*	12/2013	Hardy, III	D29/122
D714,791	S	*	10/2014	Liu	D14/440
D740,113	S	*	10/2015	Olenick	D8/399
D742,740	S	*	11/2015	Kim	D9/433
D754,652	S	*	4/2016	Roberts	D14/250
2012/0261289	A1	*	10/2012	Wyner	A45C 11/00 206/320
2014/0158645	A1	*	6/2014	Thomas	B43K 23/001 211/13.1
2016/0119011	A1	*	4/2016	Thompson	H04M 1/0283 455/575.1

OTHER PUBLICATIONS

U.S. Appl. No. 62/172,085, filed Jun. 6, 2015.
U.S. Appl. No. 62/172,090, filed Jun. 6, 2015.
U.S. Appl. No. 62/214,671, filed Sep. 4, 2015.
U.S. Appl. No. 62/215,592, filed Sep. 8, 2015.
U.S. Appl. No. 62/215,688, filed Sep. 8, 2015.
U.S. Appl. No. 62/215,707, filed Sep. 8, 2015.
U.S. Appl. No. 62/215,714, filed Sep. 8, 2015.
U.S. Appl. No. 62/254,033, filed Nov. 11, 2015.

* cited by examiner

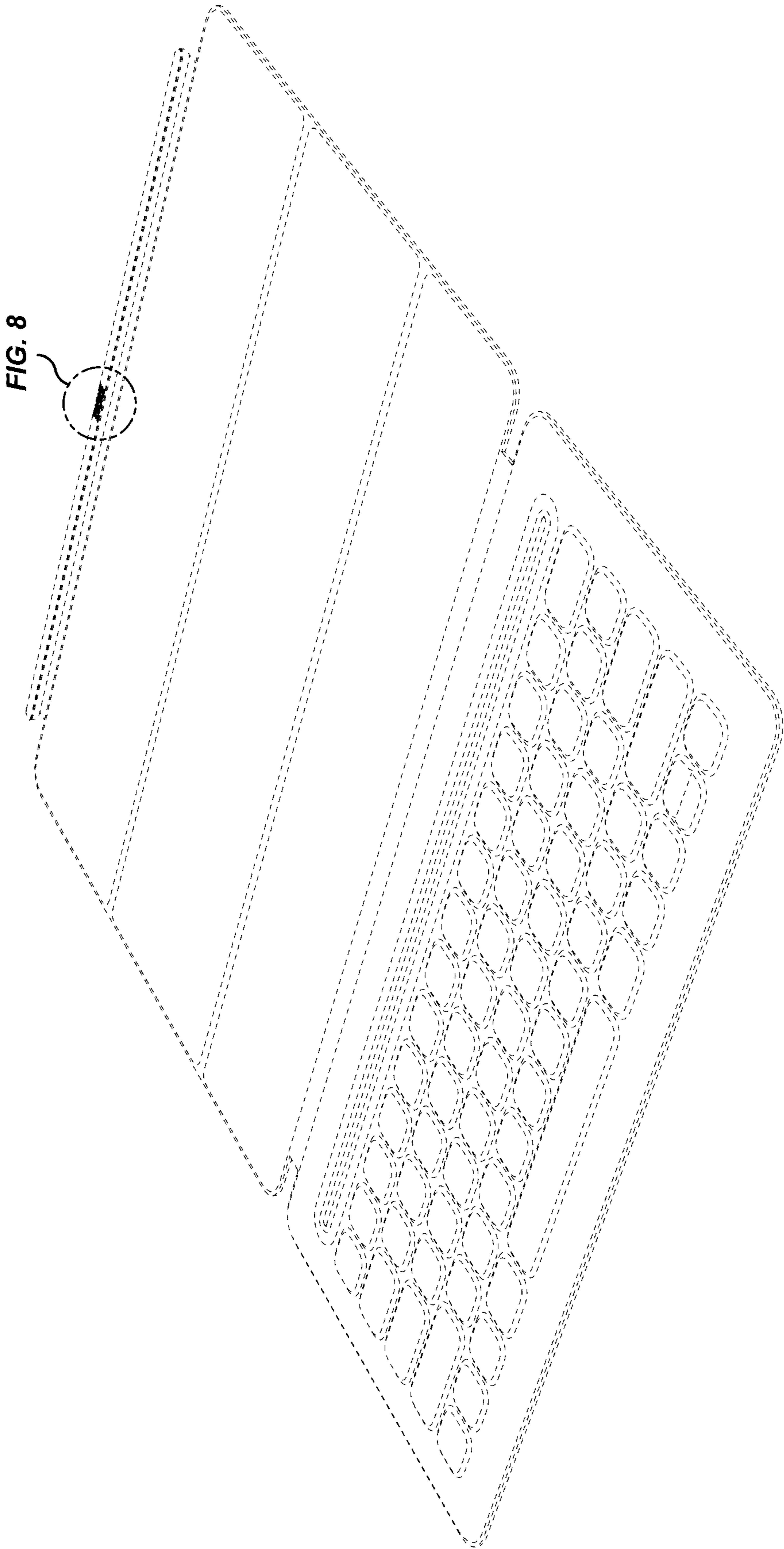


FIG. 8

FIG. 1

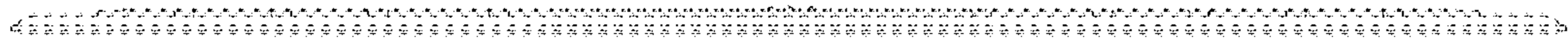


FIG. 2

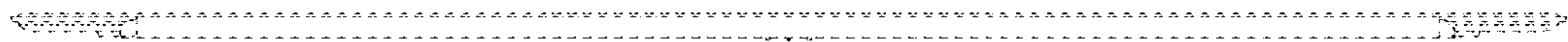


FIG. 3

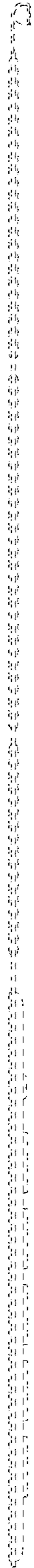


FIG. 4

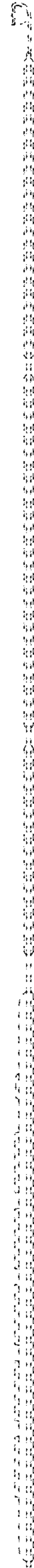


FIG. 5

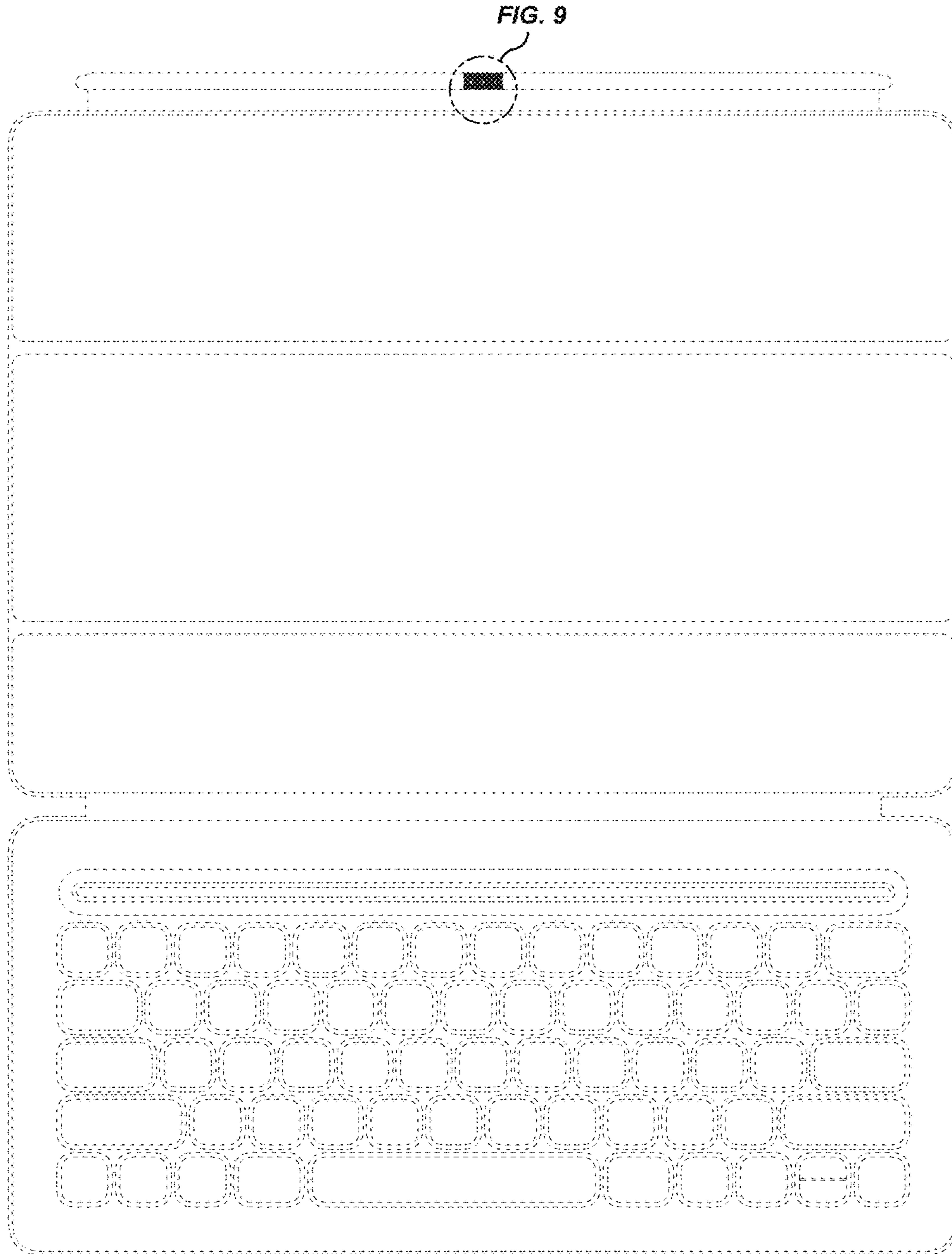


FIG. 6

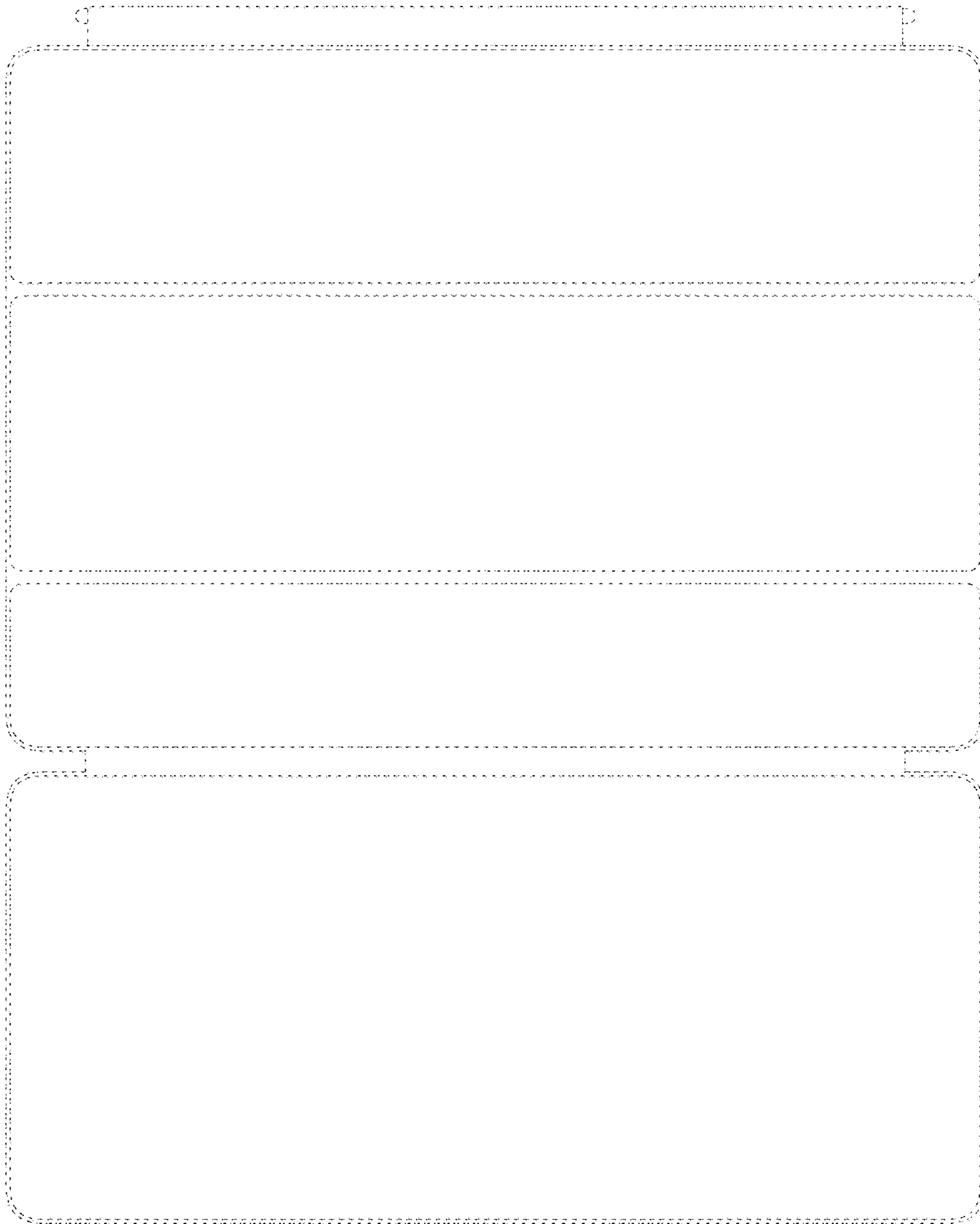


FIG. 7

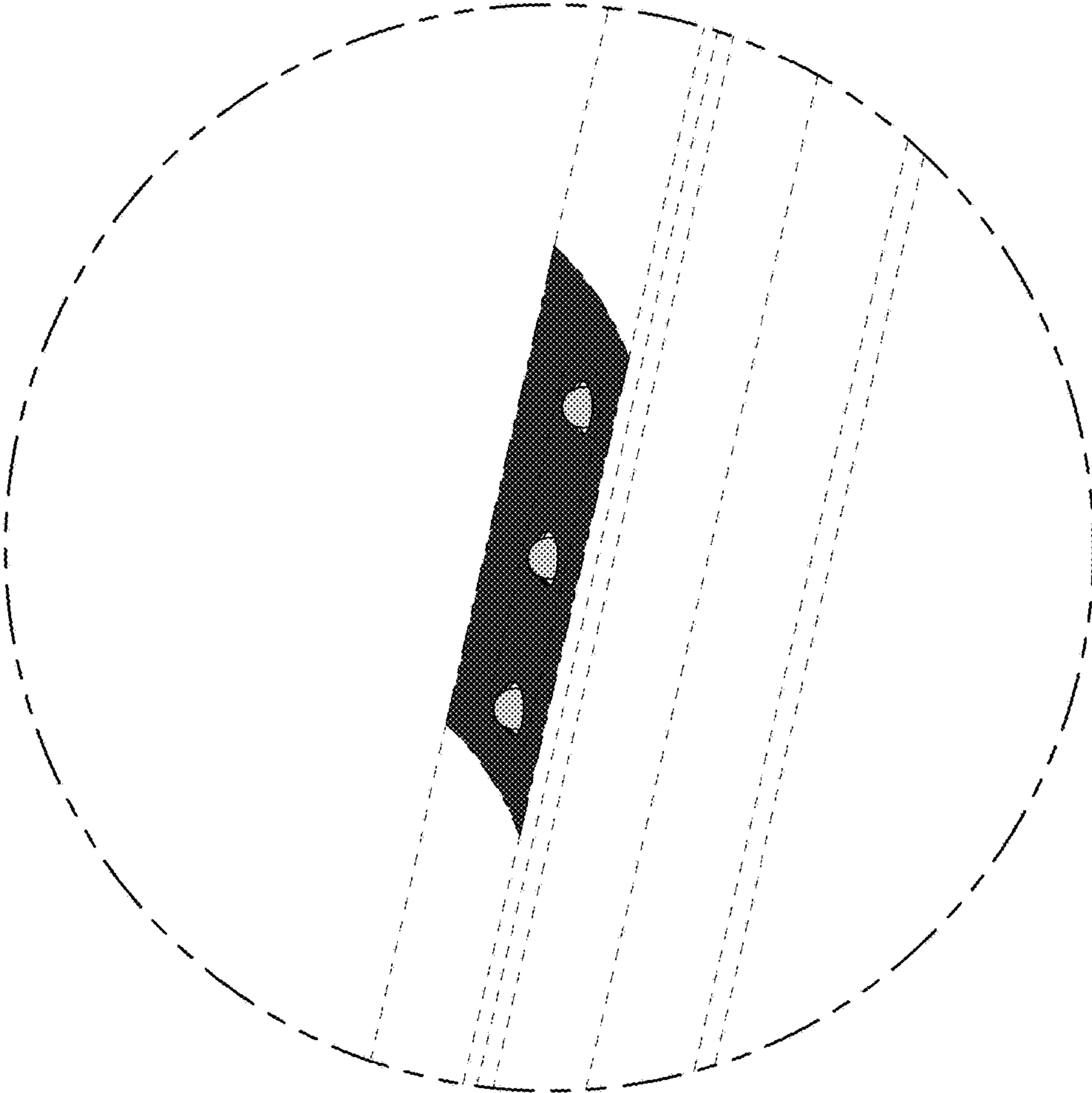


FIG. 8

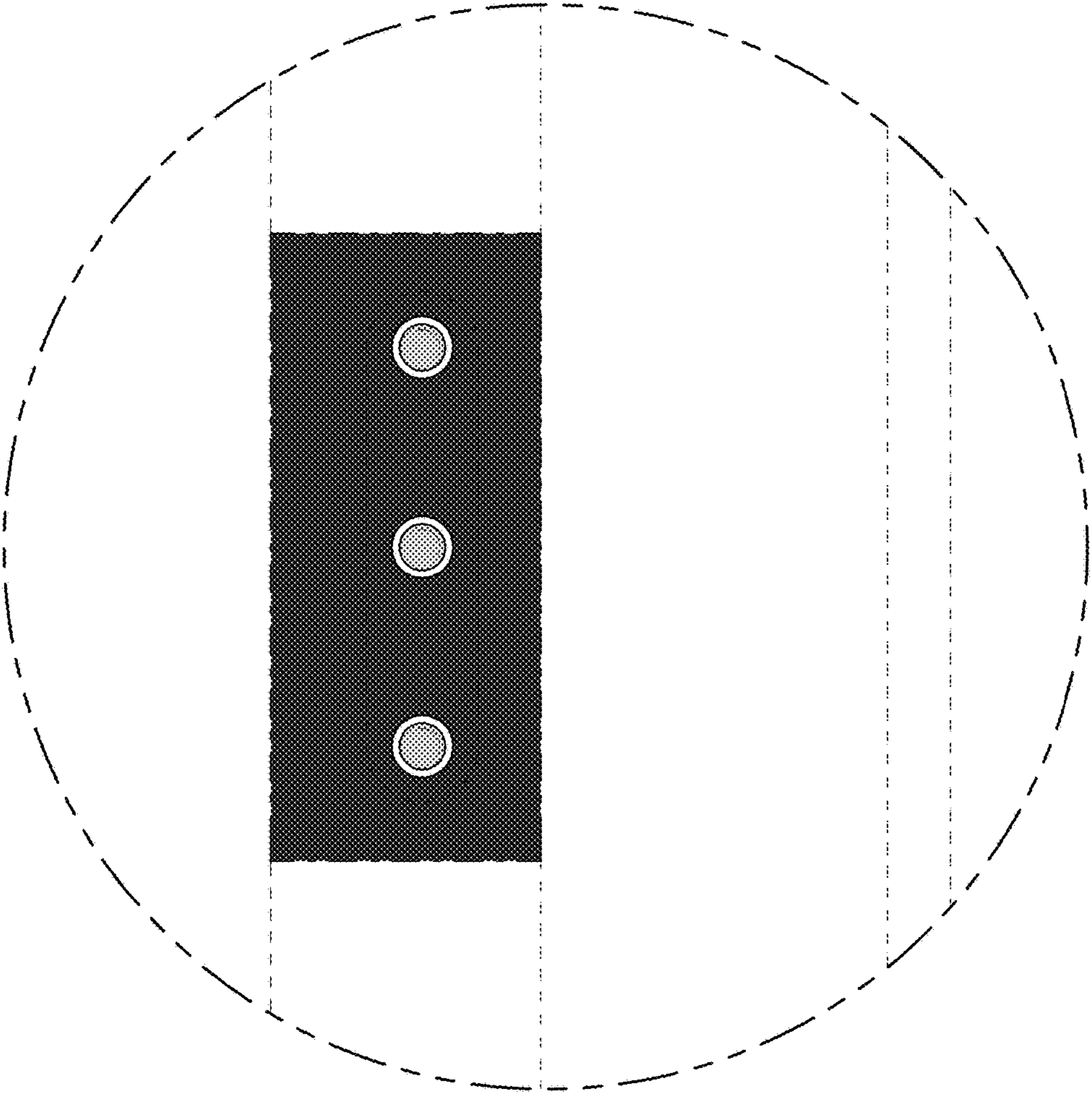


FIG. 9