



US00D775132S

(12) **United States Design Patent** (10) **Patent No.:** **US D775,132 S**
Smith et al. (45) **Date of Patent:** **** Dec. 27, 2016**

(54) **TABLET COMPUTER COVER**

(71) Applicant: **D&D Security Resources, Inc.**,
Martinez, CA (US)

(72) Inventors: **Dean Smith**, Martinez, CA (US);
Donna Smith, Placentia, CA (US); **Jeff Rogers**,
Martinez, CA (US)

(73) Assignee: **D & D SECURITY RESOURCES,**
INC., Placentia, CA (US)

(**) Term: **15 Years**

(21) Appl. No.: **29/530,876**

(22) Filed: **Jun. 20, 2015**

(51) **LOC (10) Cl.** **14-02**

(52) **U.S. Cl.**
USPC **D14/440**

(58) **Field of Classification Search**
USPC **D14/250, 440, 447**

(Continued)

(56) **References Cited**

U.S. PATENT DOCUMENTS

5,592,361 A 1/1997 Smith et al.

5,701,230 A 12/1997 Liang et al.

(Continued)

OTHER PUBLICATIONS

Ekto+ iPad Case, by Uzbl, <http://studentipadcase.com/>.

(Continued)

Primary Examiner — Cynthia Underwood

(74) *Attorney, Agent, or Firm* — KMF Patent Services,
PLLC; Kenneth M. Fagin, Esq.

(57) **CLAIM**

The ornamental design for a tablet computer cover, as shown
and described.

DESCRIPTION

FIG. 1 is a front view of one embodiment of a tablet
computer cover, illustrating our new design;

FIG. 2 is a rear view of the tablet computer cover shown in
FIG. 1;

FIG. 3 is a top view of the tablet computer cover shown in
FIG. 1;

FIG. 4 is a bottom view of the tablet computer cover shown
in FIG. 1;

FIG. 5 is a left side view of the tablet computer cover shown
in FIG. 1;

FIG. 6 is a right side view of the tablet computer cover
shown in FIG. 1;

FIG. 7 is a front perspective view of the tablet computer
cover shown in FIG. 1 from a first viewing angle;

FIG. 8 is a front perspective view of the tablet computer
cover shown in FIG. 1 from a second viewing angle;

FIG. 9 is a rear perspective view of the tablet computer cover
shown in FIG. 1;

FIG. 10 is a front view of the embodiment of a tablet
computer cover shown in FIG. 1, with a tablet computer
housed therein;

FIG. 11 is a rear view of the tablet computer cover shown in
FIG. 10, with a tablet computer housed therein;

FIG. 12 is a top view of the tablet computer cover shown in
FIG. 10, with a tablet computer housed therein;

FIG. 13 is a bottom view of the tablet computer cover shown
in FIG. 10, with a tablet computer housed therein;

FIG. 14 is a left side view of the tablet computer cover
shown in FIG. 10, with a tablet computer housed therein;

FIG. 15 is a right side view of the tablet computer cover
shown in FIG. 10, with a tablet computer housed therein;

FIG. 16 is a front perspective view of the tablet computer
cover shown in FIG. 10, from a first viewing angle and with
a tablet computer housed therein;

FIG. 17 is a front perspective view of the tablet computer
cover shown in FIG. 10, from a second viewing angle and
with a tablet computer housed therein;

FIG. 18 is a rear perspective view of the tablet computer
cover shown in FIG. 10, with a tablet computer housed
therein;

FIG. 19 is a front view of the embodiment of a tablet
computer cover shown in FIG. 1, with a tablet computer
housed therein and with its “kickstand” extended;

(Continued)

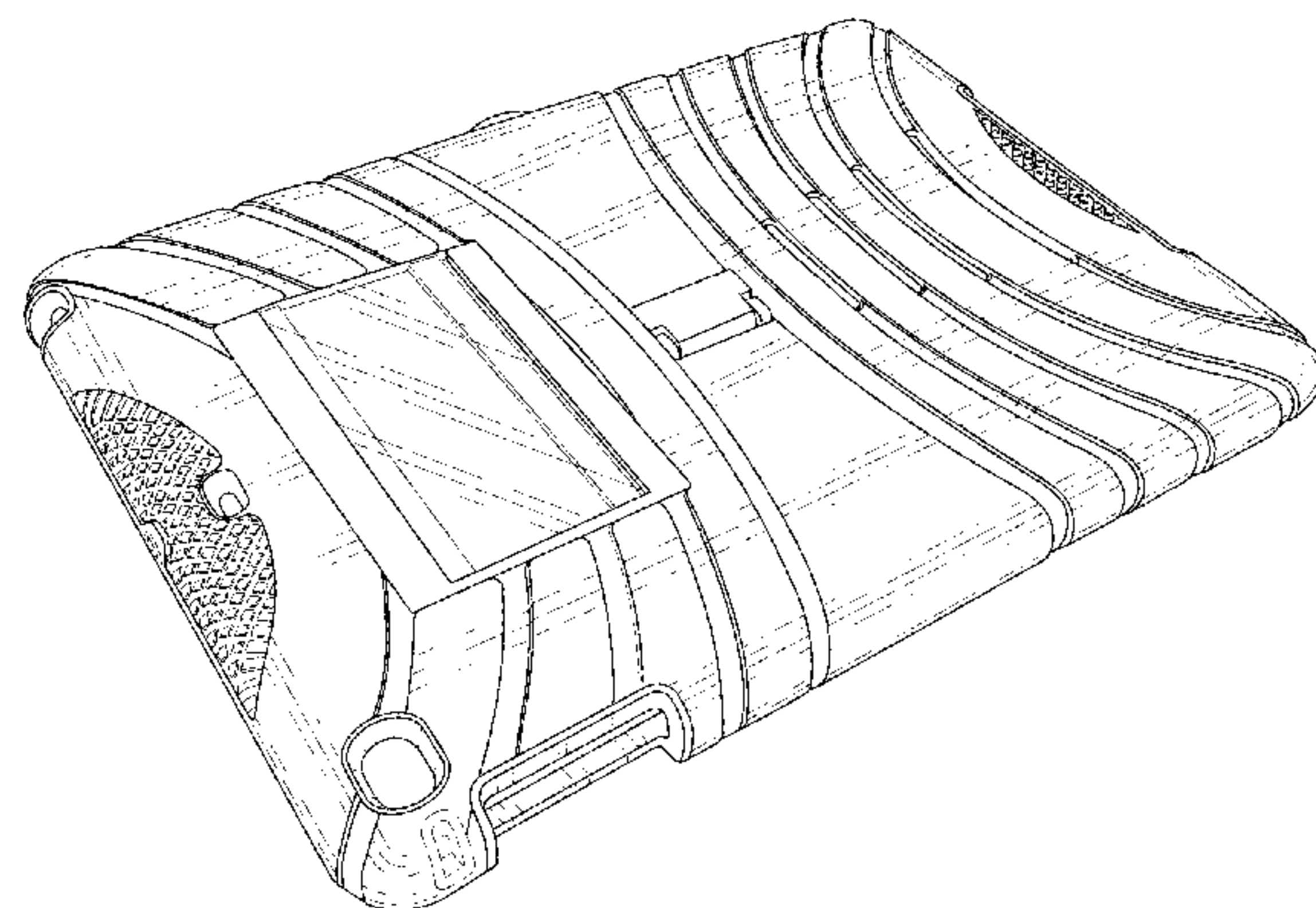
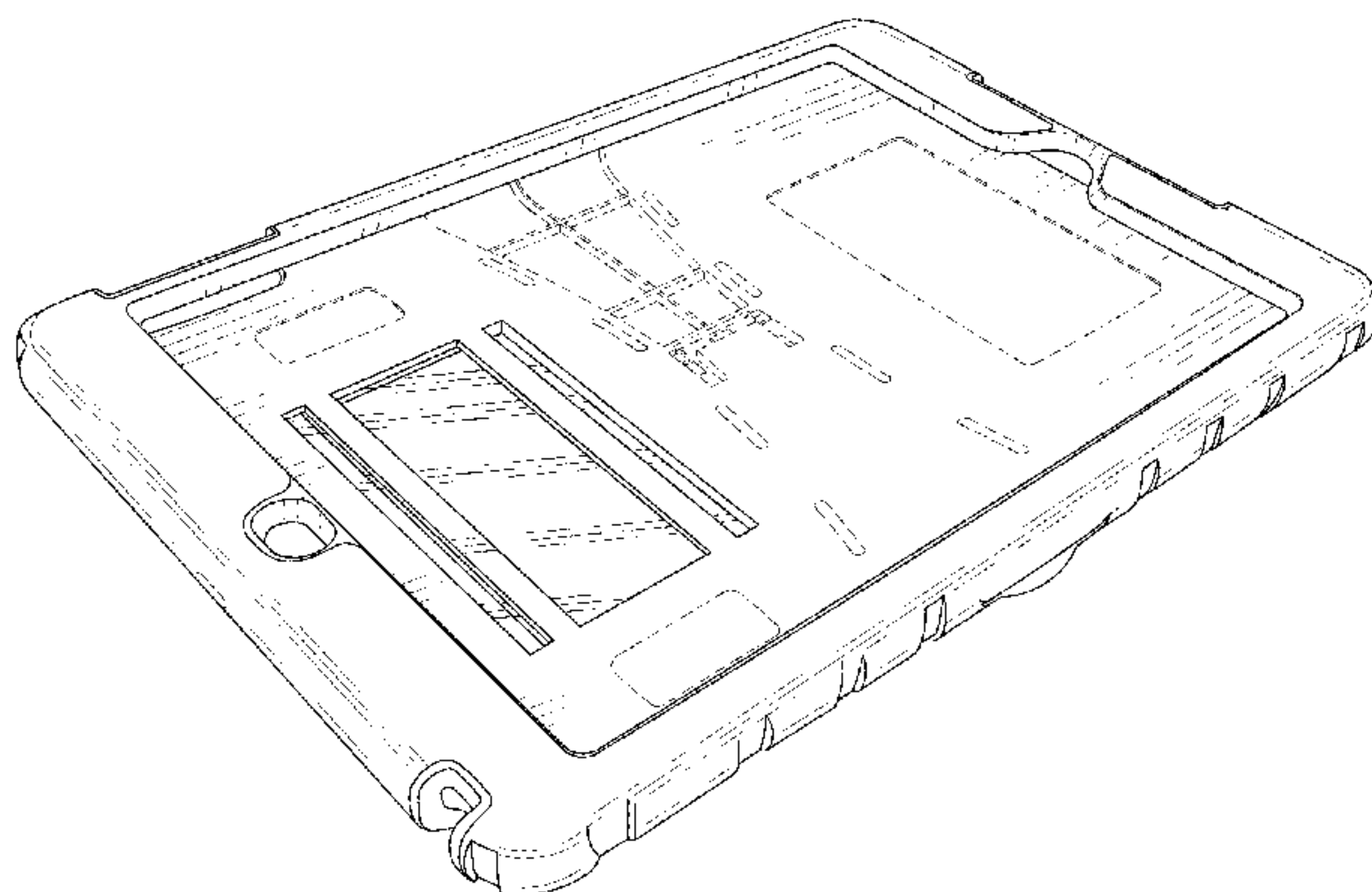


FIG. 20 is a rear view of the tablet computer cover shown in FIG. 19, with a tablet computer housed therein and with the “kickstand” extended;

FIG. 21 is a top view of the tablet computer cover shown in FIG. 19, with a tablet computer housed therein and with the “kickstand” extended;

FIG. 22 is a bottom view of the tablet computer cover shown in FIG. 19, with a tablet computer housed therein and with the “kickstand” extended;

FIG. 23 is a left side view of the tablet computer cover shown in FIG. 19, with a tablet computer housed therein and with the “kickstand” extended;

FIG. 24 is a right side view of the tablet computer cover shown in FIG. 19, with a tablet computer housed therein and with the “kickstand” extended;

FIG. 25 is a front perspective view of the tablet computer cover shown in FIG. 19 from a first viewing angle, with a tablet computer housed therein and with the “kickstand” extended;

FIG. 26 is a front perspective view of the tablet computer cover shown in FIG. 19 from a second viewing angle, with a tablet computer housed therein and with the “kickstand” extended; and,

FIG. 27 is a rear perspective view of the tablet computer cover shown in FIG. 19, with a tablet computer housed therein and with the “kickstand” extended.

The broken lines depict environmental subject matter and form no part of the claim. The boundary line on FIG. 10 depicts a boundary of the claim.

1 Claim, 21 Drawing Sheets

(58) **Field of Classification Search**

CPC G06F 1/1628; G06F 1/1613
See application file for complete search history.

(56) **References Cited**

U.S. PATENT DOCUMENTS

6,264,029	B1	7/2001	Motson
6,896,134	B2	5/2005	Russell et al.
7,016,184	B1	3/2006	Oneyama
D587,896	S	3/2009	Aipa
D606,305	S	12/2009	Lee et al.

7,647,369	B2	1/2010	Hoblit	
D620,000	S *	7/2010	Bau	D14/250
D638,006	S	5/2011	Chang	
D639,296	S *	6/2011	Tseng	D14/345
8,047,364	B2	11/2011	Longinotti-Buitoni	
D652,825	S	1/2012	Bau	
D659,691	S	5/2012	Kim et al.	
D711,886	S	8/2014	Kerawala et al.	
D718,294	S *	11/2014	Barfoot	D14/250
D718,756	S *	12/2014	Barfoot	D14/250
D719,145	S *	12/2014	Barfoot	D14/250
D721,370	S *	1/2015	Barfoot	D14/400
D729,252	S	5/2015	Smith et al.	
9,026,181	B2 *	5/2015	Tani	G01C 21/20 455/456.6
D731,494	S *	6/2015	Barfoot	D14/440
D734,760	S *	7/2015	Brunner	D14/440
D736,211	S *	8/2015	Kirkpatrick	D14/434
D745,505	S *	12/2015	Barfoot	D14/250
D745,525	S *	12/2015	Bates	D14/440
2001/0009498	A1	7/2001	Oross et al.	
2004/0022021	A1 *	2/2004	Bovino	G06F 1/1616 361/679.55
2008/0128318	A1	6/2008	Kokinda	
2009/0107661	A1 *	4/2009	Andersson	F28D 9/005 165/168
2009/0201254	A1 *	8/2009	Rais	G06F 1/1613 345/168
2010/0230301	A1	9/2010	Fellig	
2011/0192269	A1	8/2011	Voorhees	
2011/0192857	A1	8/2011	Rothbaum et al.	
2012/0067751	A1	3/2012	Mongan et al.	
2012/0140396	A1 *	6/2012	Zeliff	G06F 1/1628 361/679.09

OTHER PUBLICATIONS

- <http://www.amazon.com/Incipio-Stowaway-Silicone-Protector-IPH-676/dp/B006PKP69E>.
- <http://store.imore.com/incipio-stowaway-case/4A123A9368A.htm>.
- <http://www.sw-box.com/Vancode-Design-Matte-Credit-Card-Hard-Case-For-iPhone-4S-White.html>.
- http://www.alibaba.com/product-gs/551150261/Credit_card_ID_card_holder_plastic.html.
- http://www.amazon.com/Deluxe-chrome-Rubberized-Snap-Iphone/dp/B005LUBUT4/ref=pd_sim_cps_36.
- http://www.amazon.com/iFunner-iPhone-Plastic-Durable-Verizon/dp/B004XWCBHQ/ref=sr_1_3?s=mobile&ie=UTF8&qid=1343230288&sr=1-3.

* cited by examiner

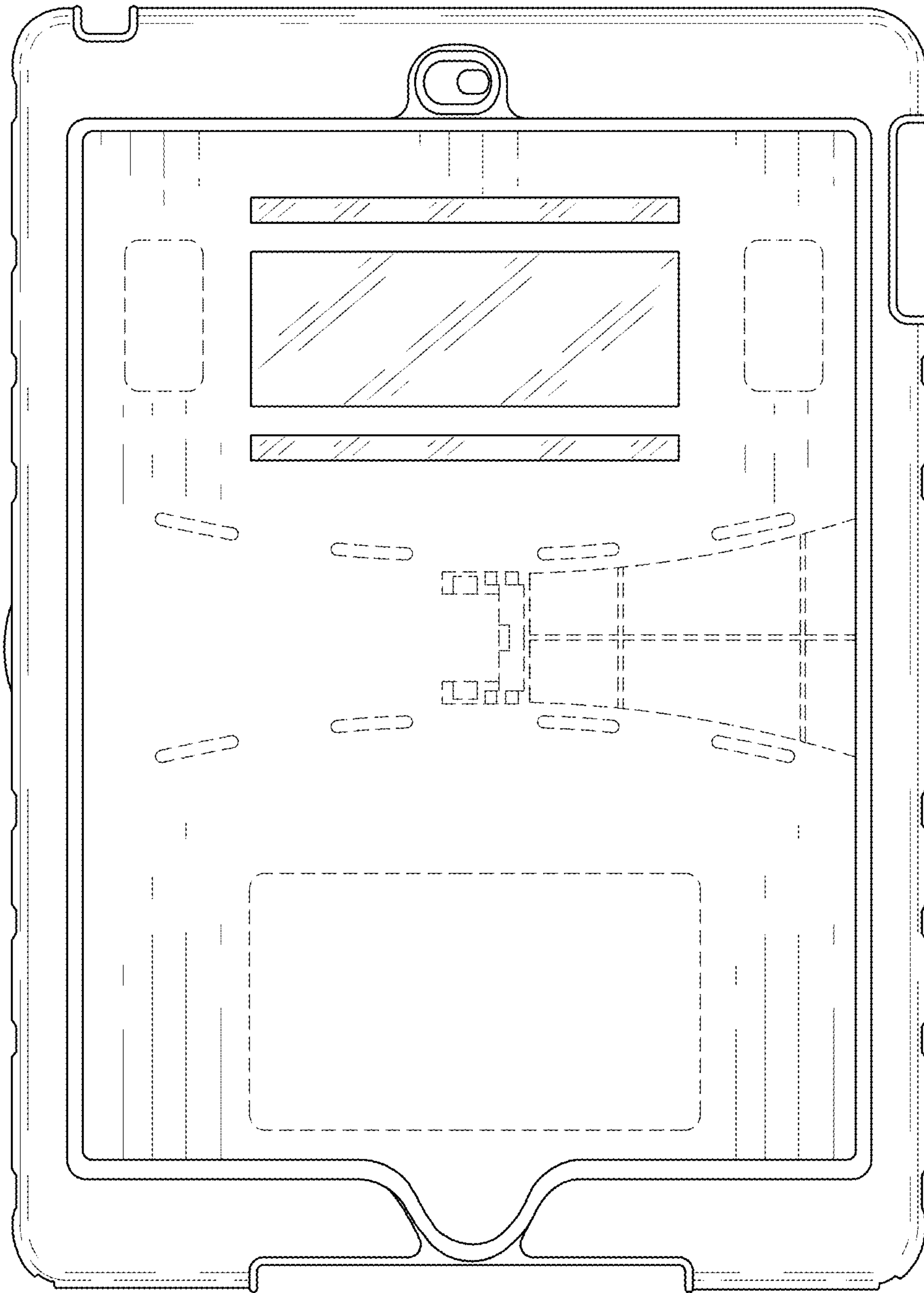


FIG. 1

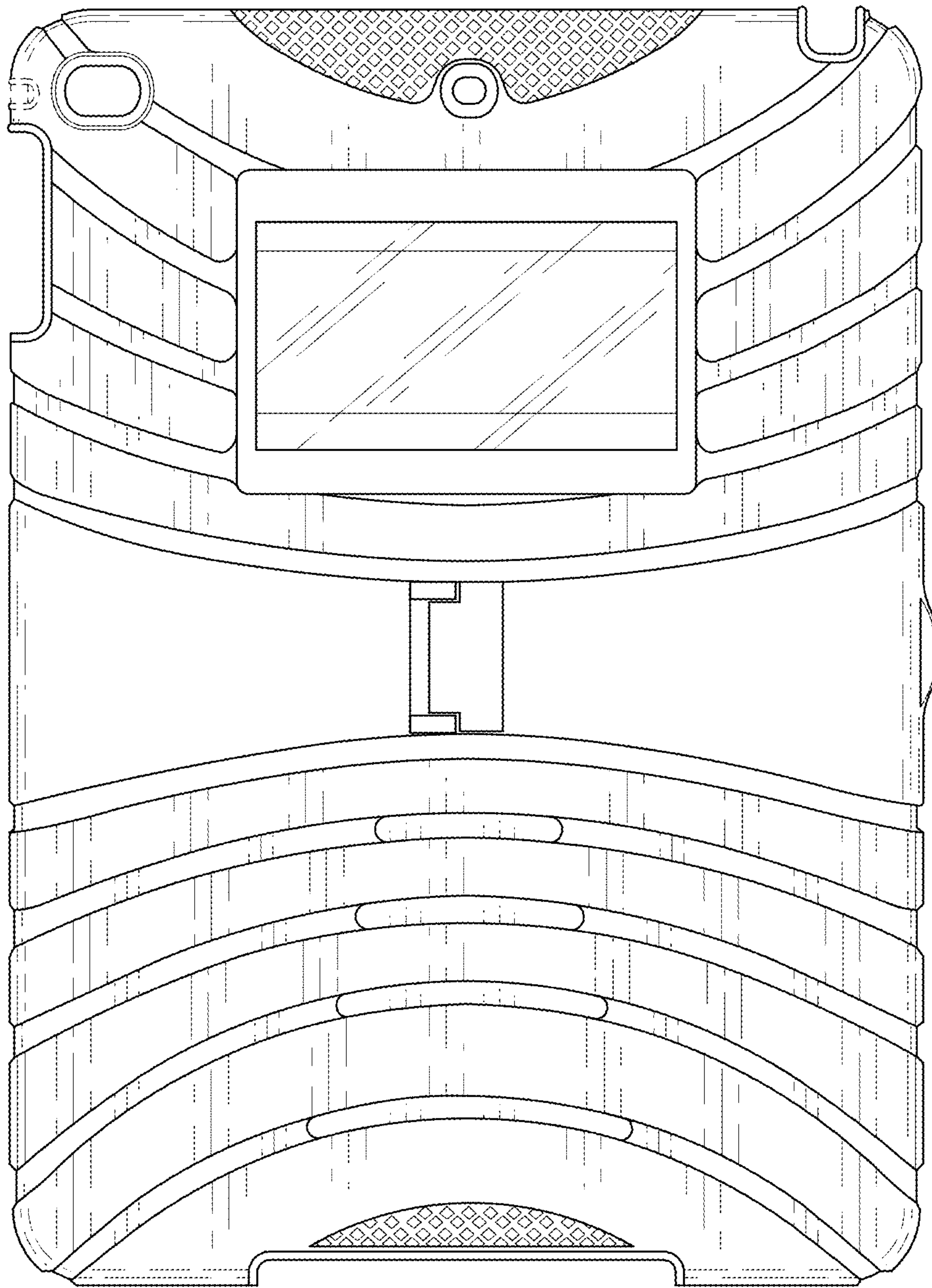


FIG. 2

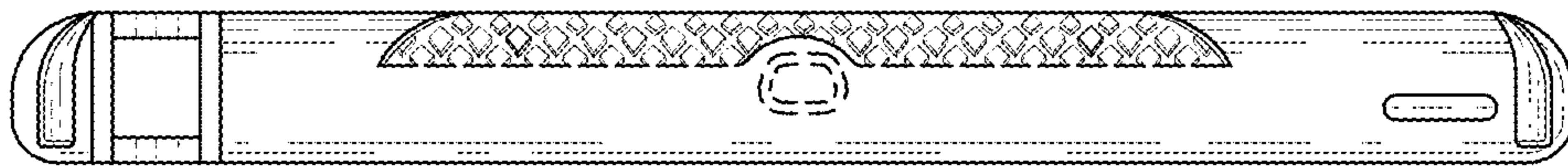


FIG. 3

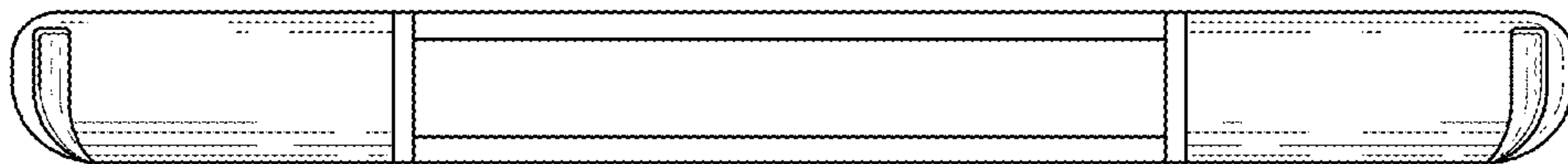


FIG. 4

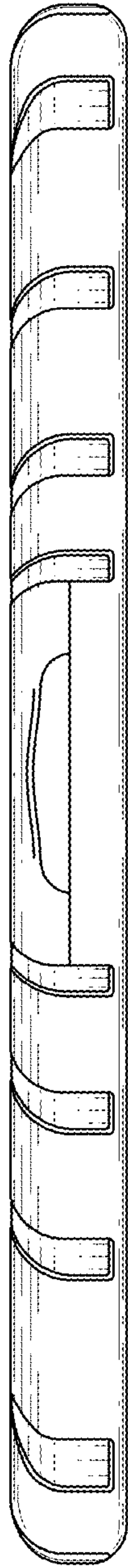


FIG. 5

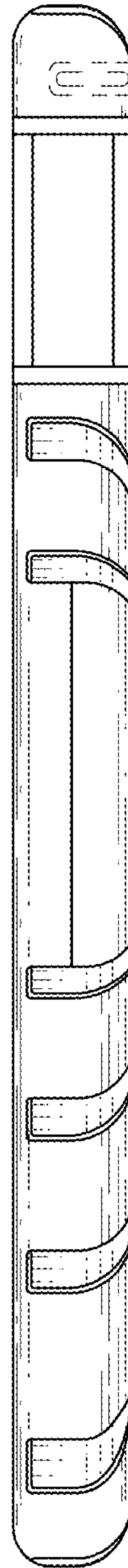


FIG. 6

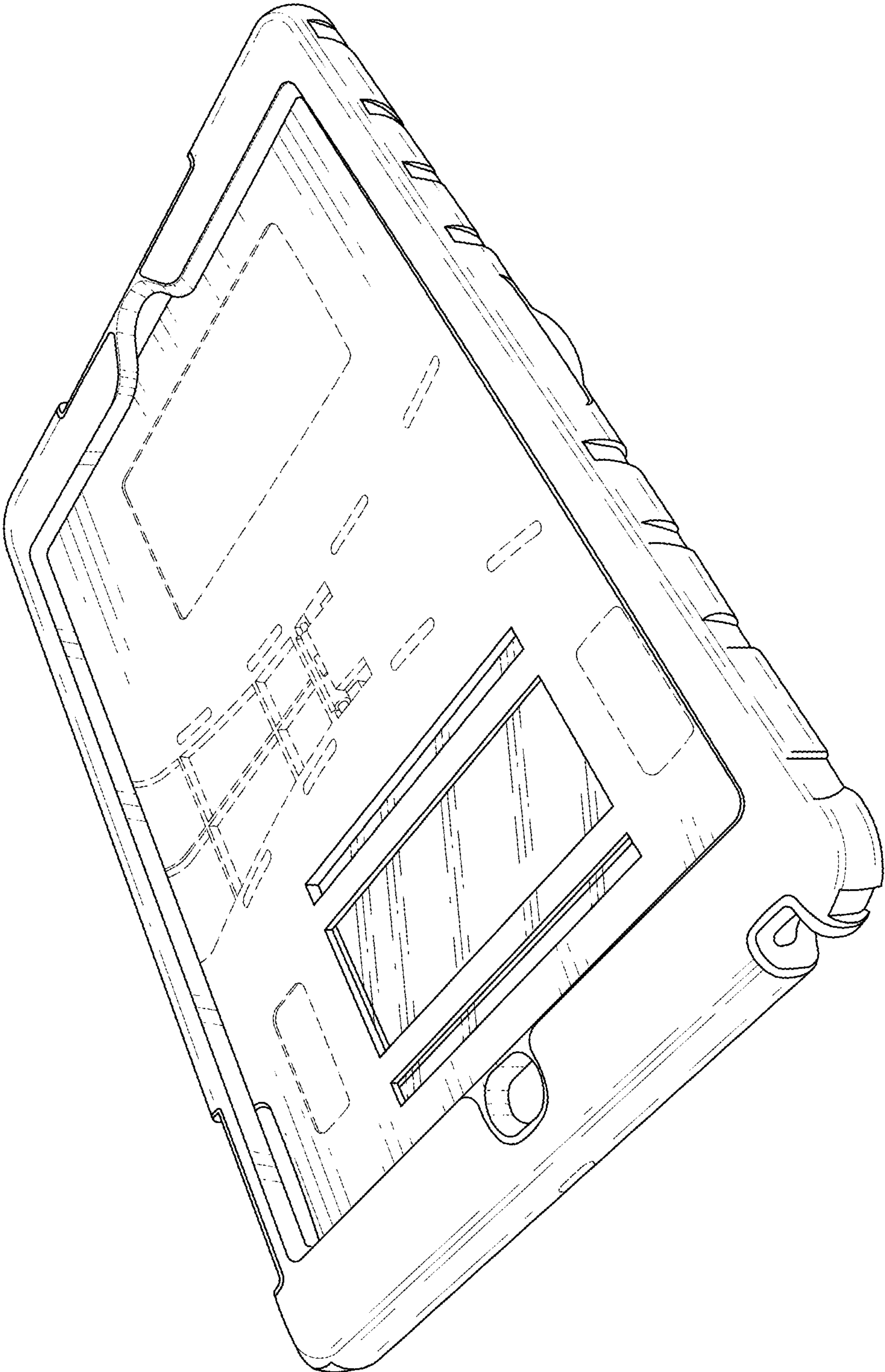


FIG. 7

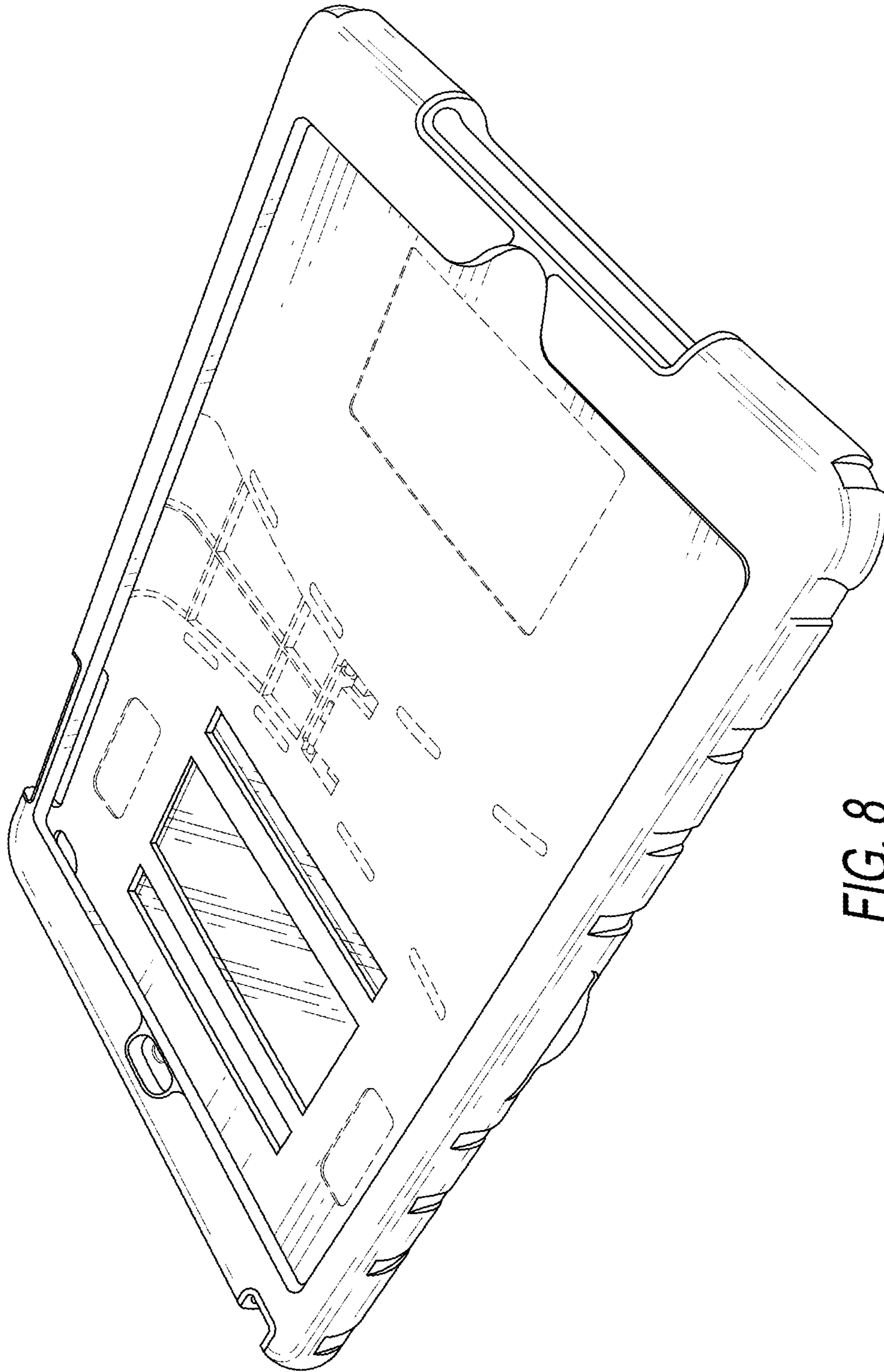


FIG. 8

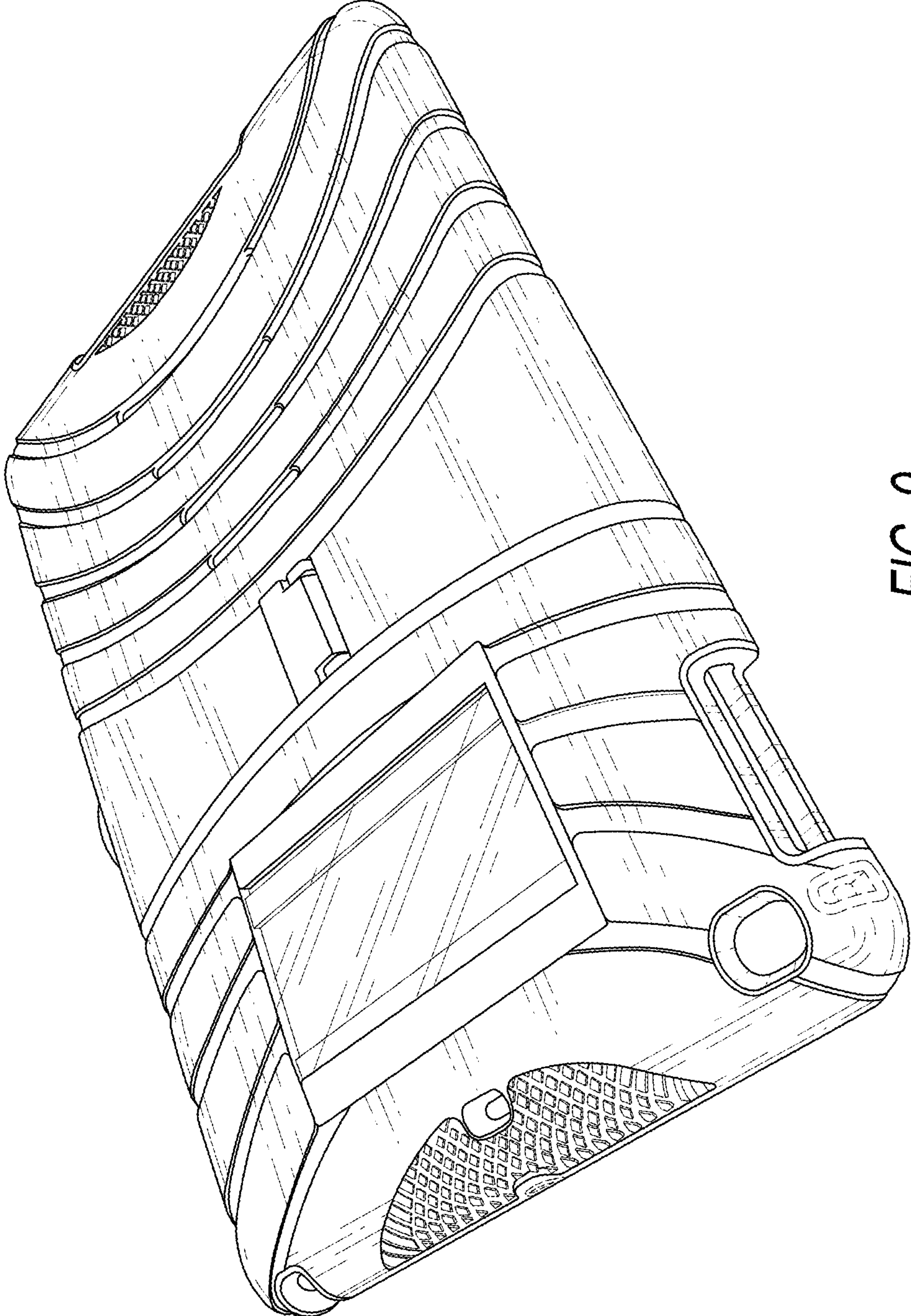


FIG. 9

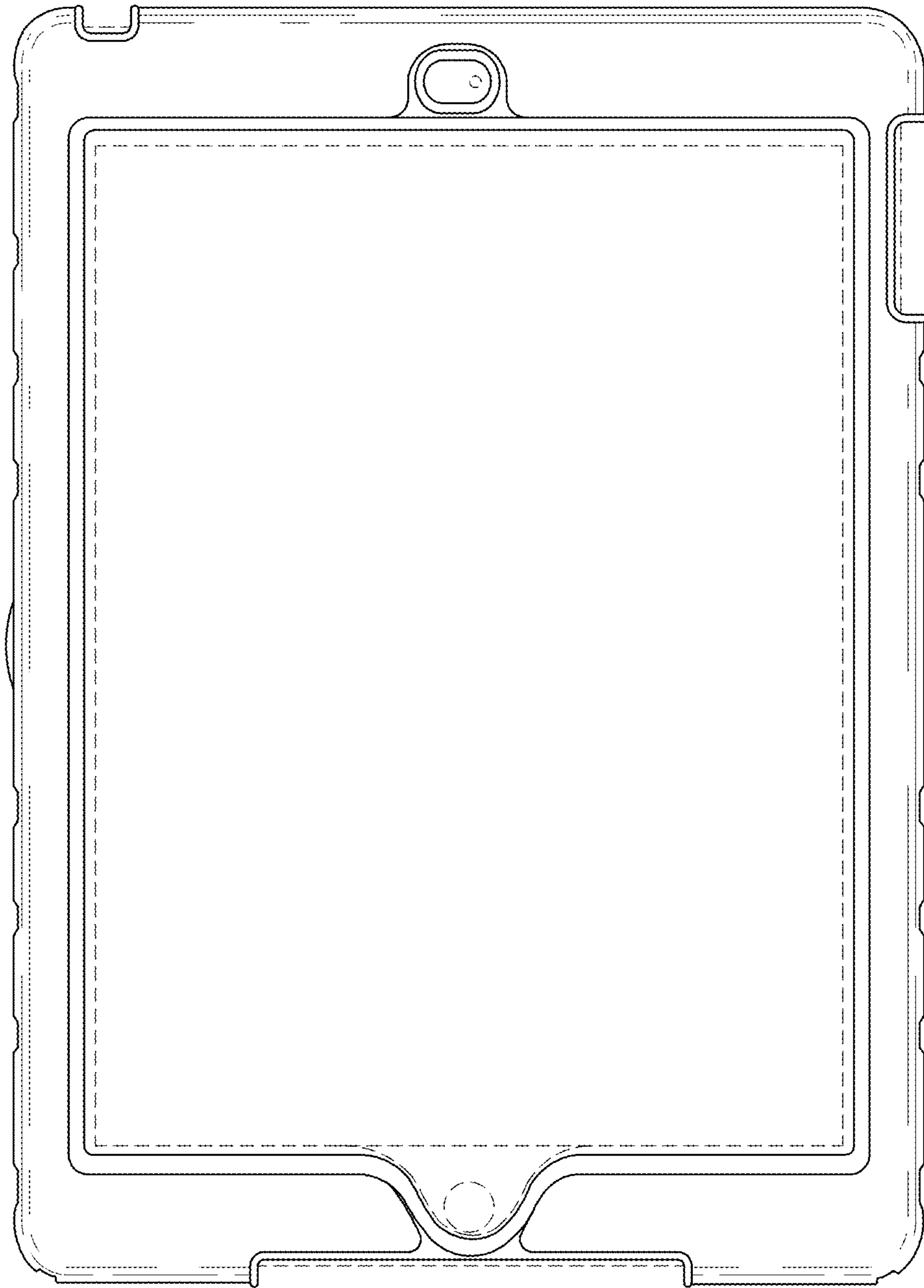


FIG. 10

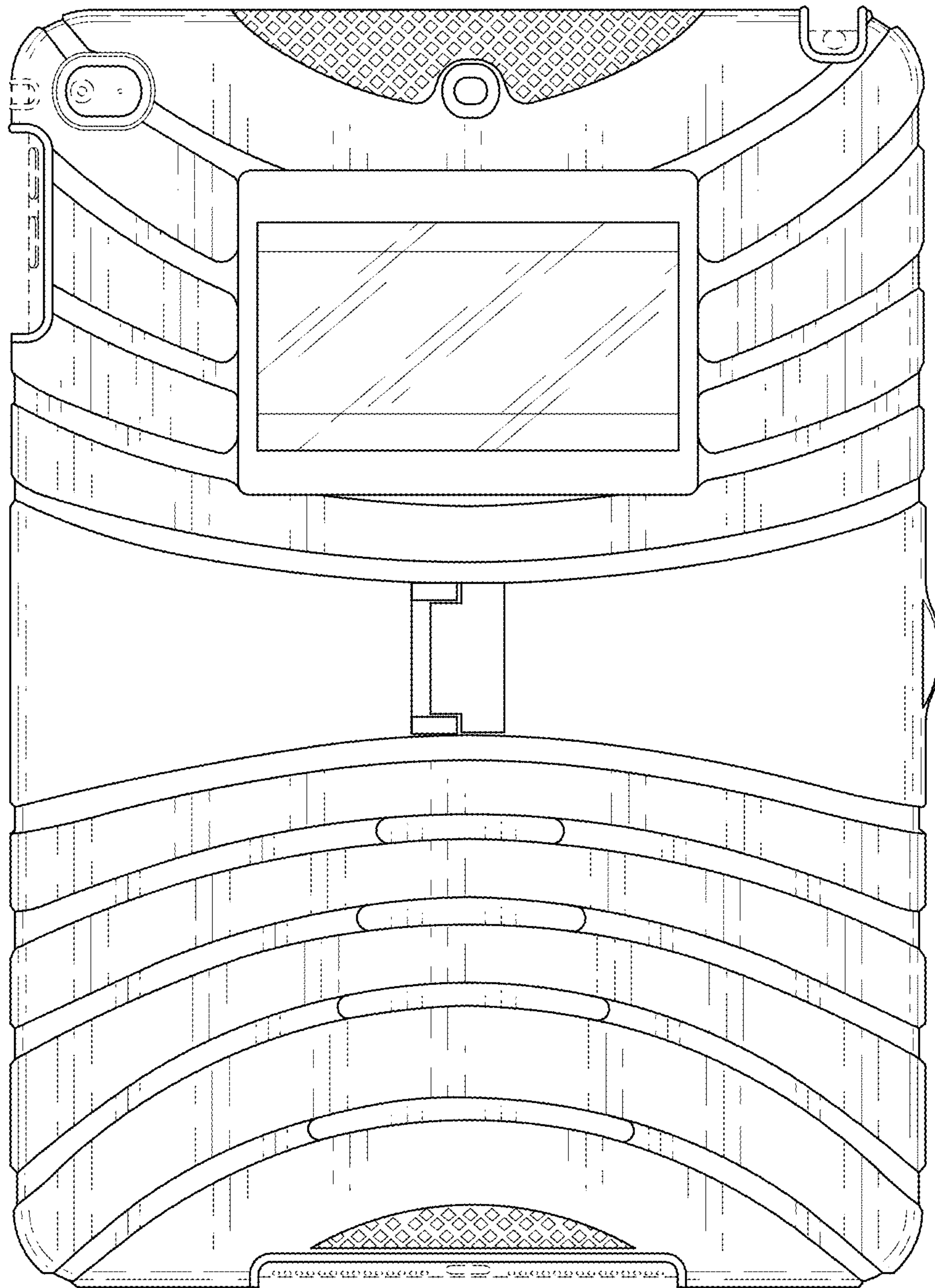


FIG. 11

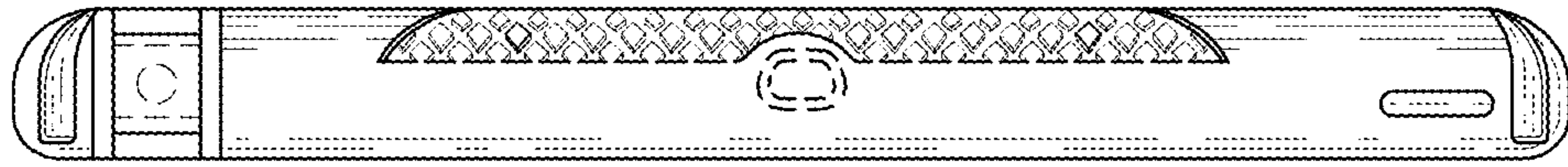


FIG. 12

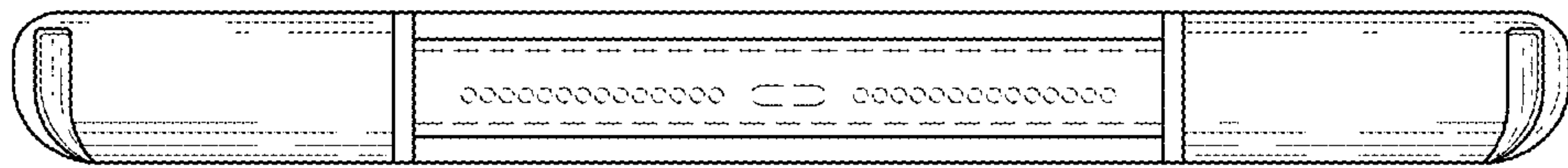


FIG. 13

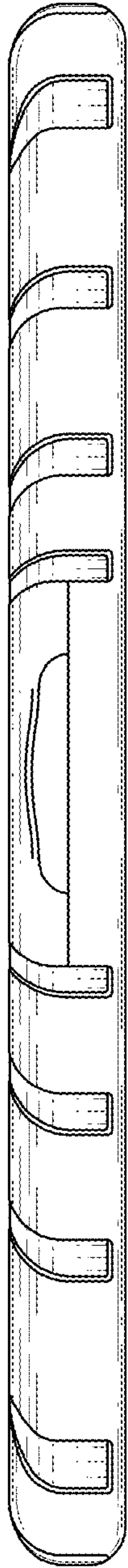


FIG. 14

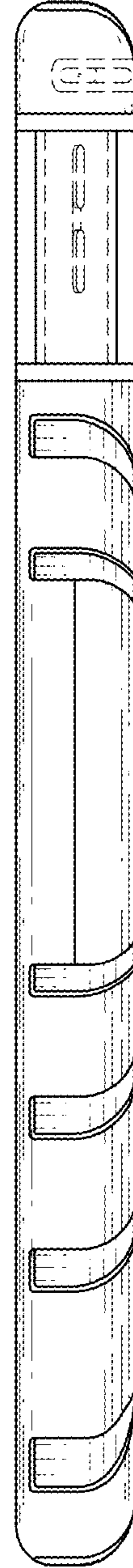


FIG. 15

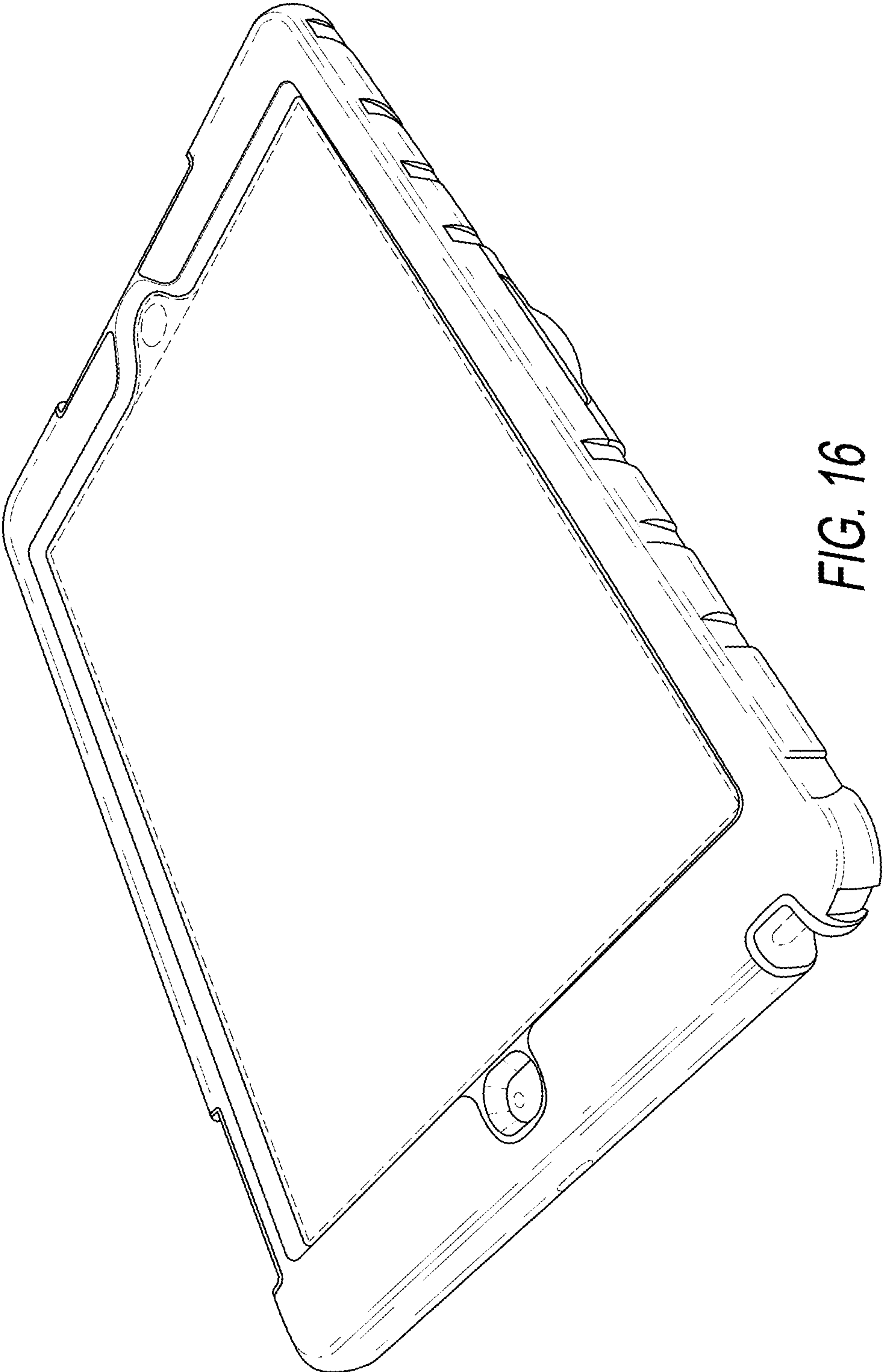


FIG. 16

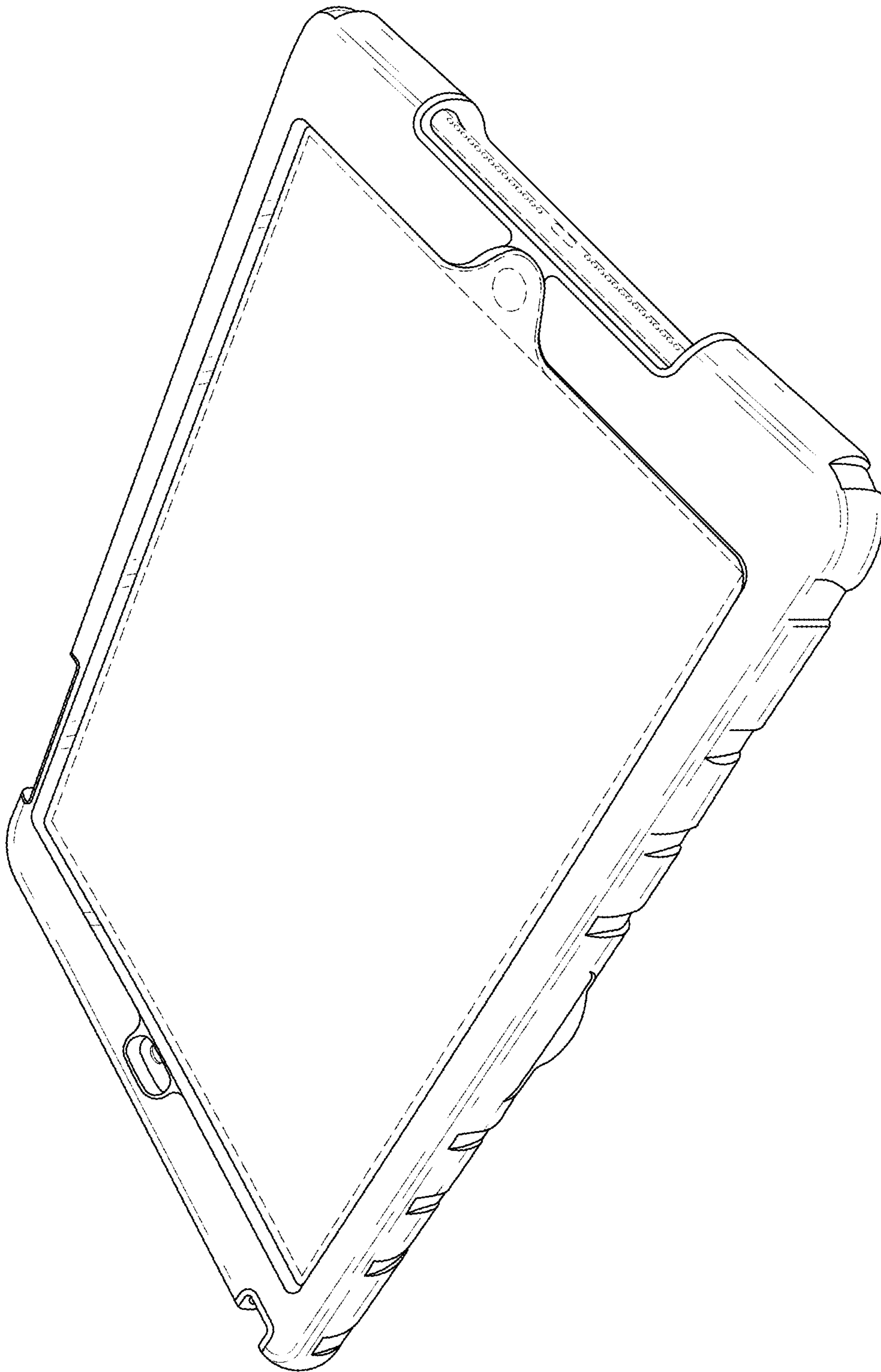


FIG. 17

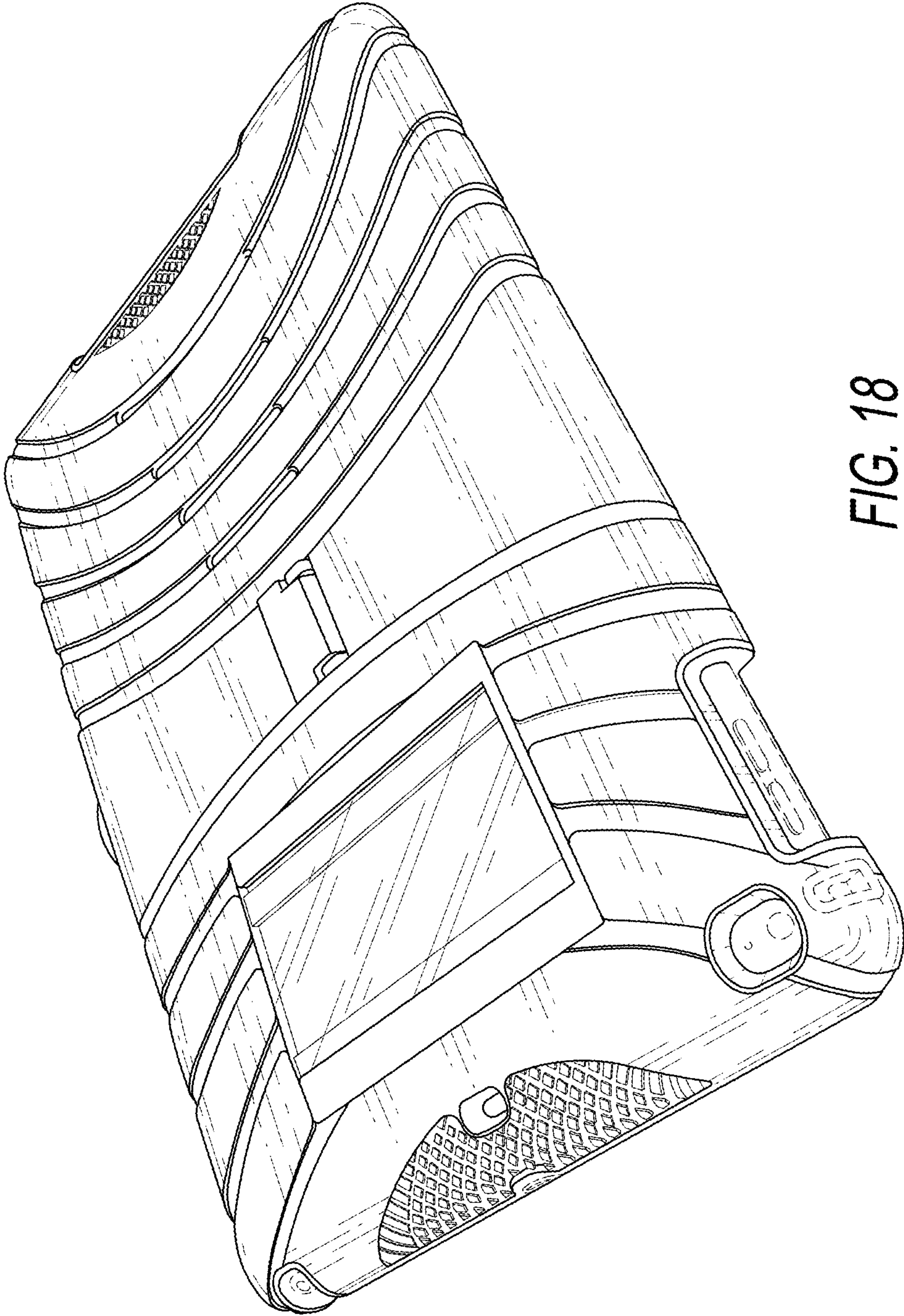


FIG. 18

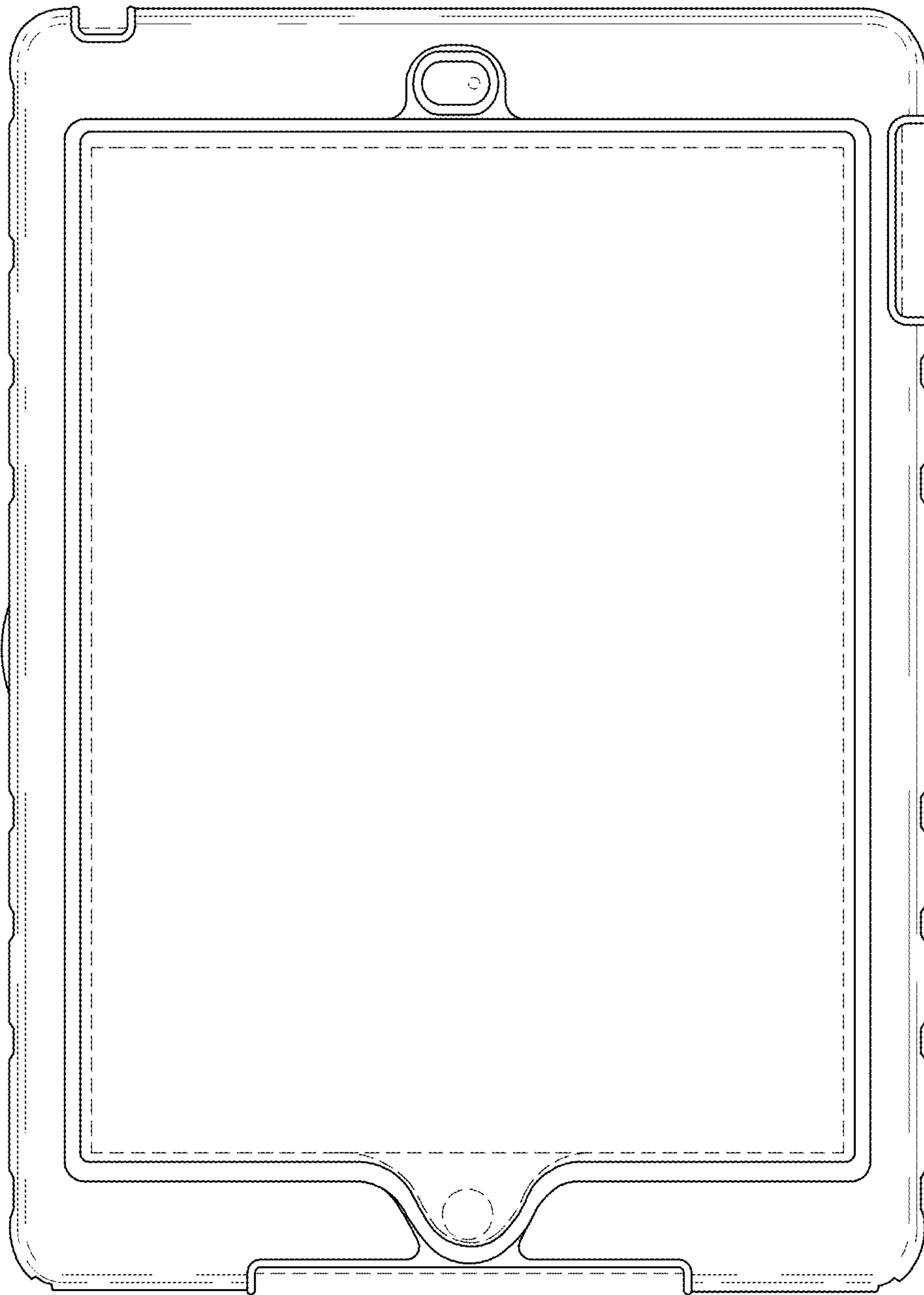


FIG. 19

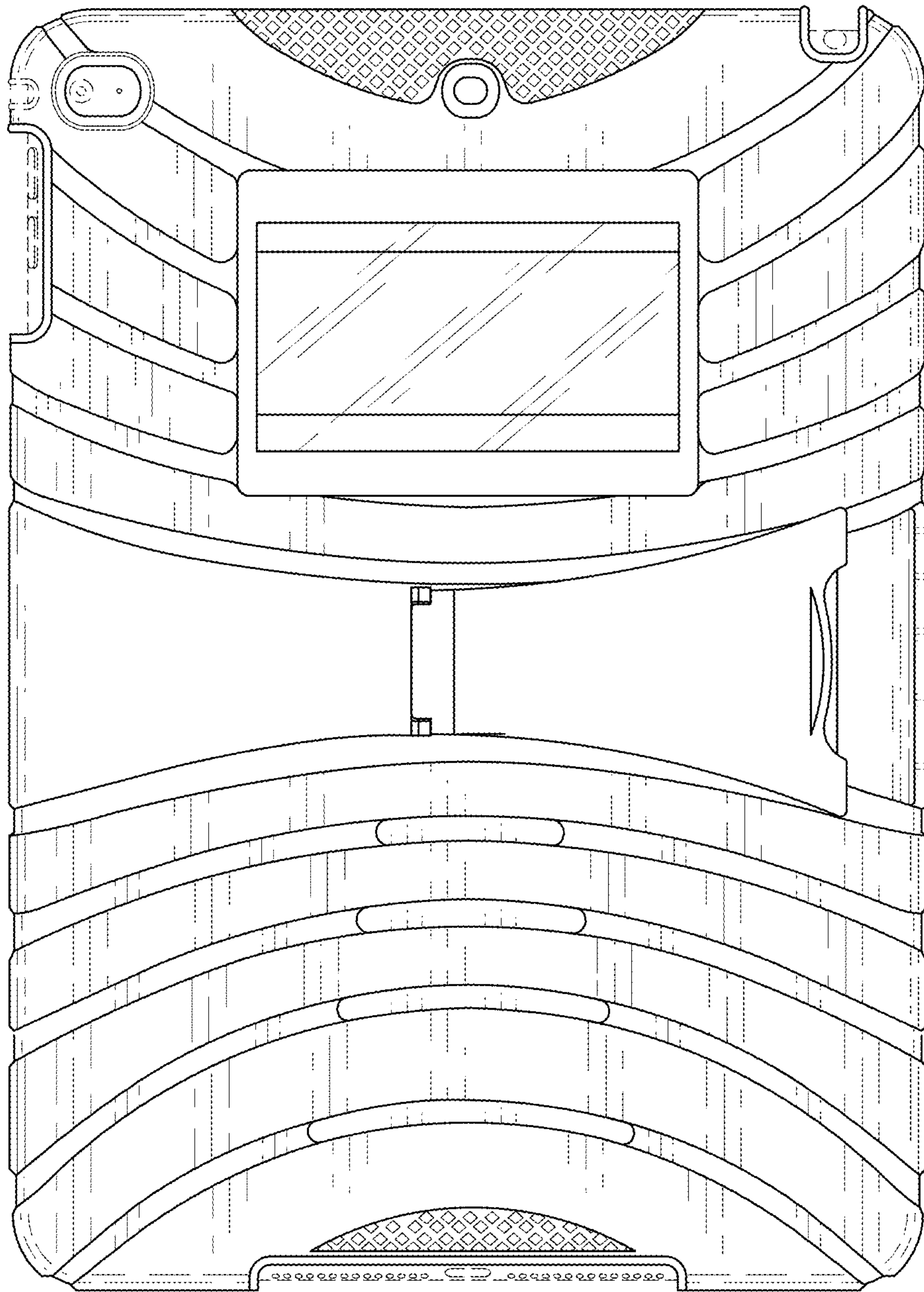


FIG. 20

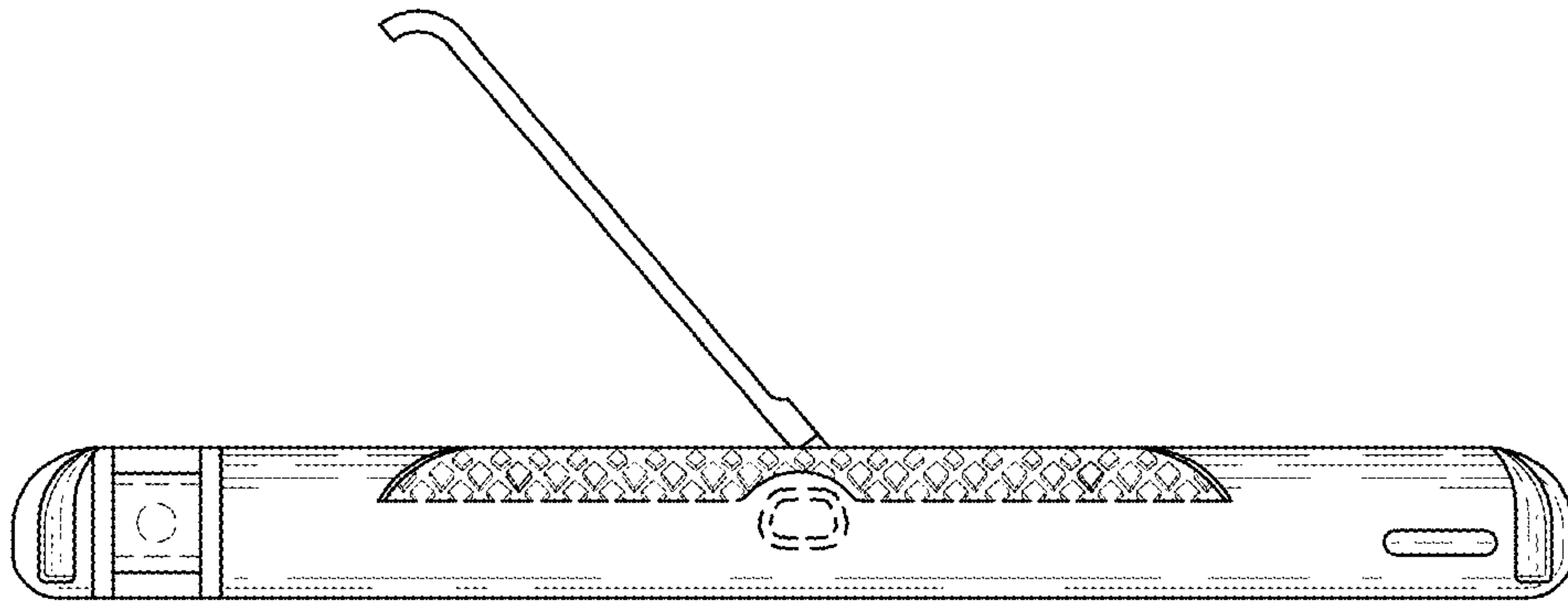


FIG. 21

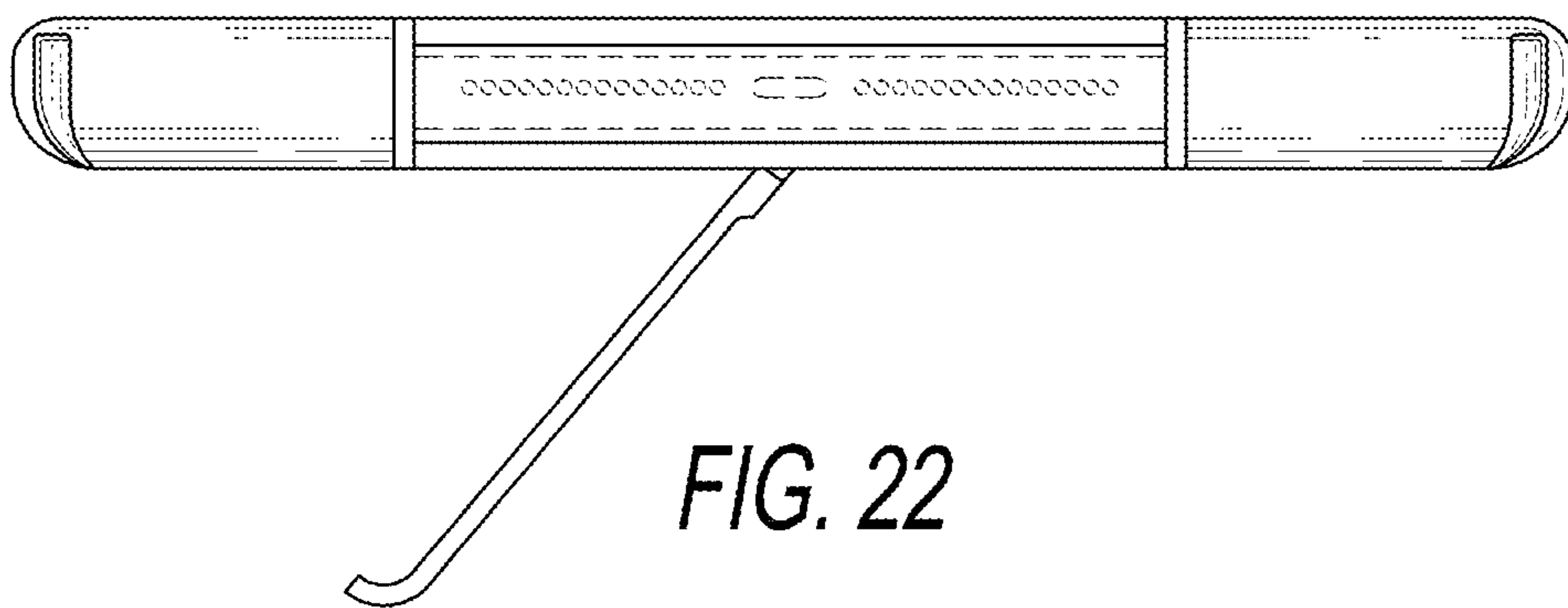


FIG. 22

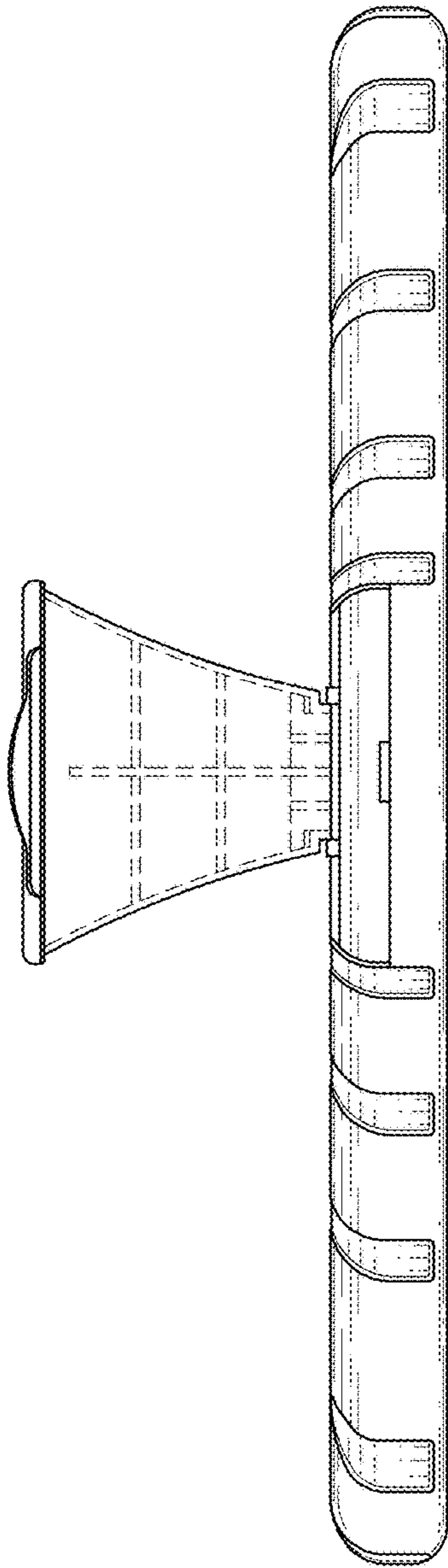


FIG. 23

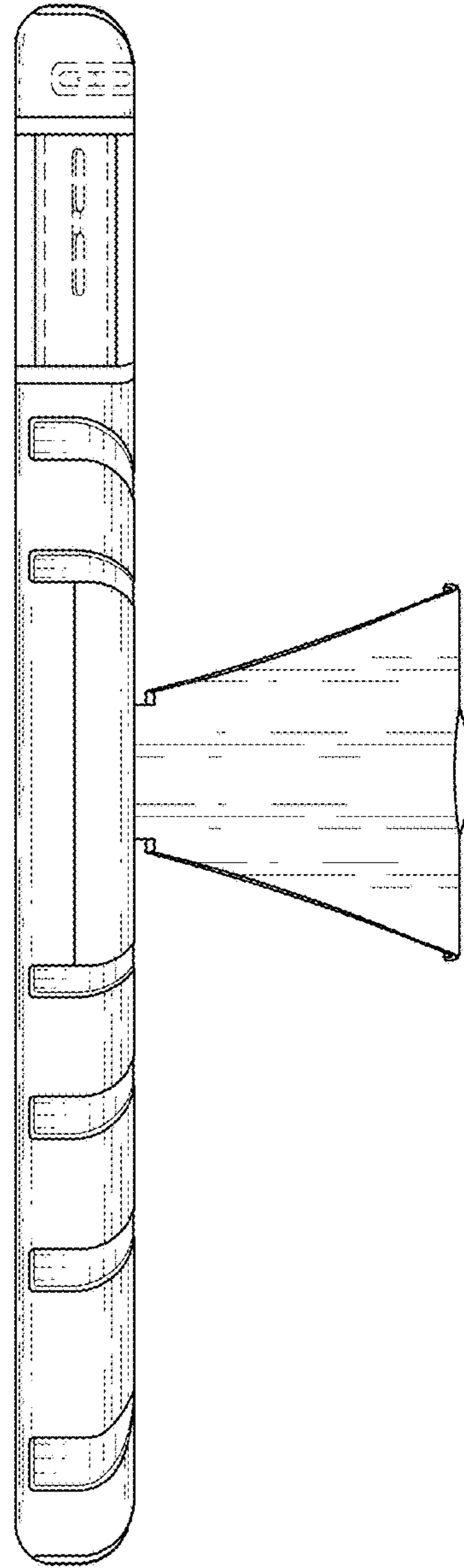


FIG. 24

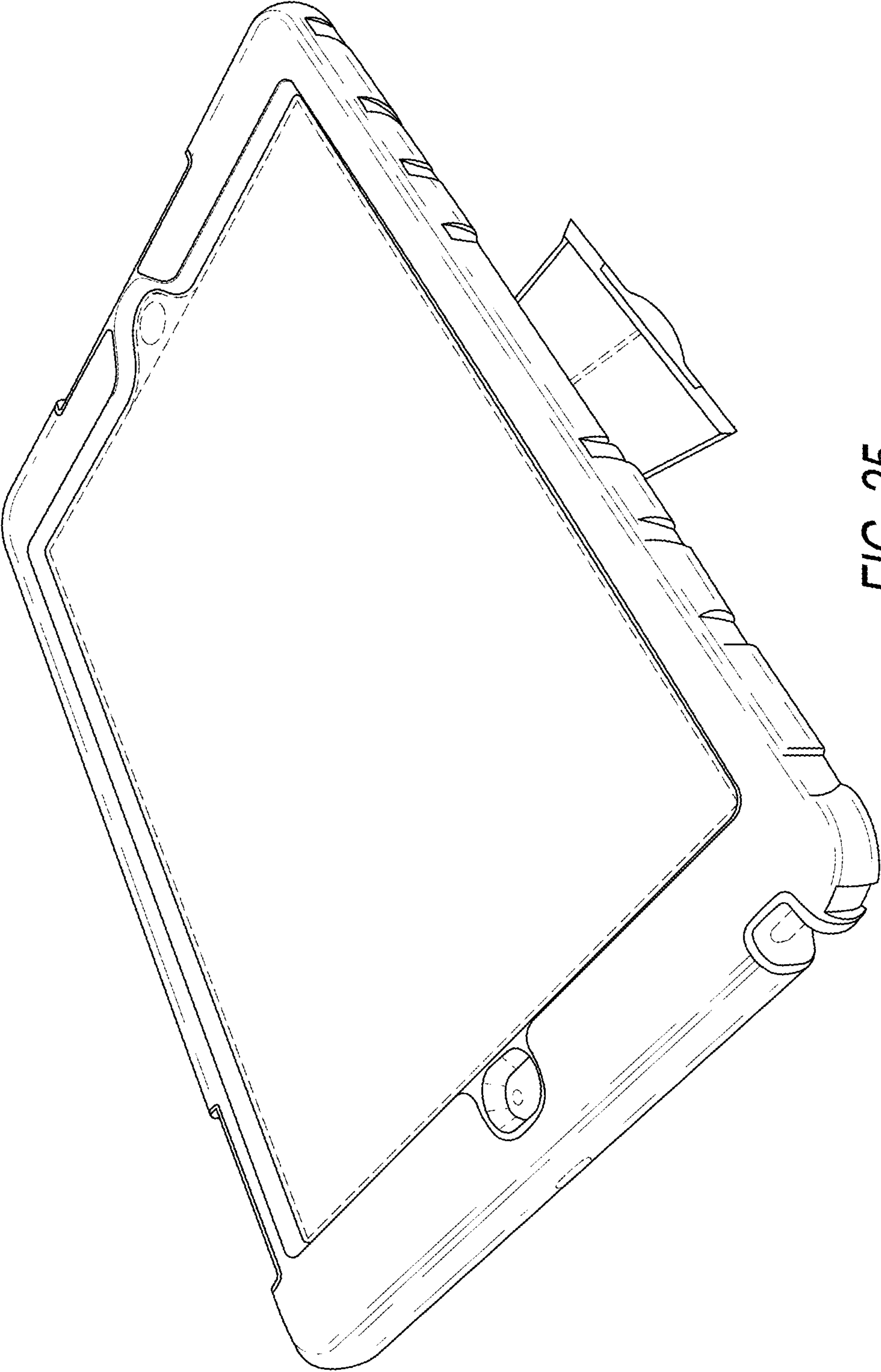


FIG. 25

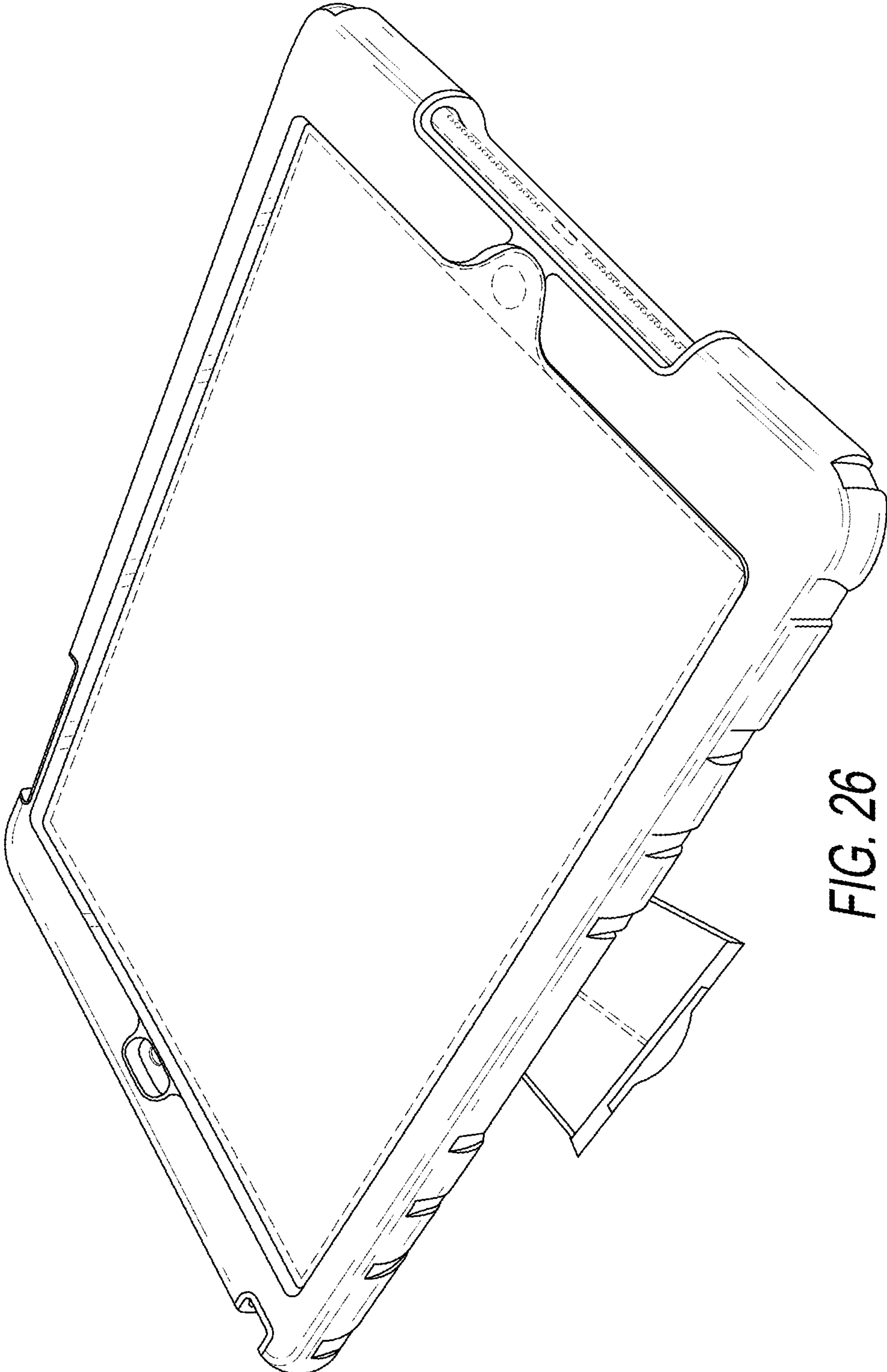


FIG. 26

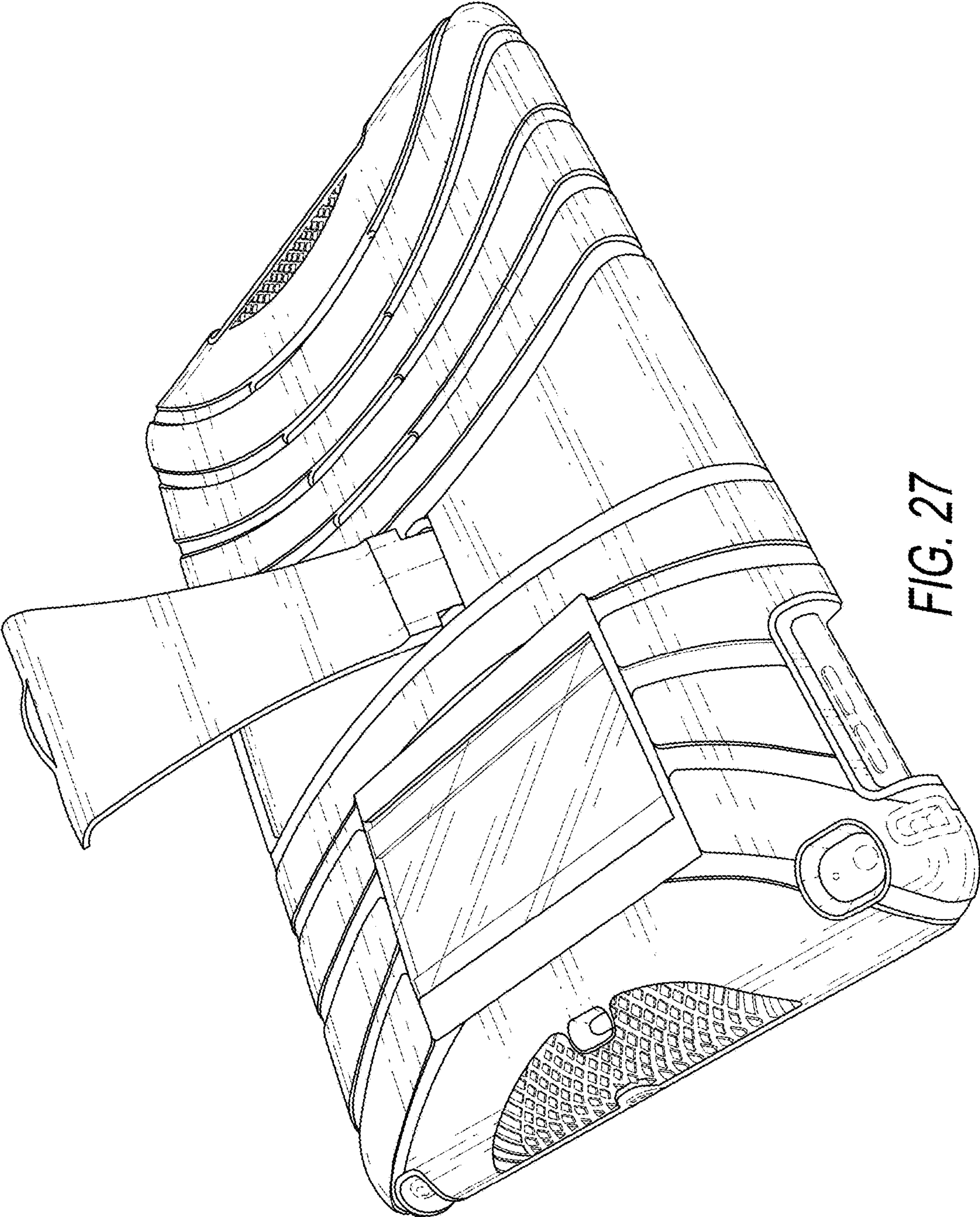


FIG. 27