



US00D775123S

(12) **United States Design Patent** (10) **Patent No.:** **US D775,123 S**
Guimaraes et al. (45) **Date of Patent:** **** Dec. 27, 2016**

(54) **INTERACTIVE COMPUTER**

(71) Applicant: **SABIA EXPERIENCE
TECNOLOGIA S.A.**, Florianopolis
(BR)
(72) Inventors: **Marcelo Ferreira Guimaraes**,
Florianopolis (BR); **Renato Parenti
Turcato**, Florianopolis (BR); **Alexandre
Moura Paes De Barros**, Florianopolis
(BR); **Paulo Ricardo Fonseca Blank**,
Florianopolis (BR); **Luciano Yassuo
Takeda**, Florianopolis (BR); **Eduardo
Matos Brito, Jr.**, Florianopolis (BR)

(73) Assignee: **Sabia Experience Tecnologia S.A.**
(BR)

(**) Term: **14 Years**

(21) Appl. No.: **29/518,438**

(22) Filed: **Feb. 24, 2015**

(30) **Foreign Application Priority Data**

Aug. 27, 2014 (BR) 3020140042076

(51) **LOC (10) Cl.** **14-02**

(52) **U.S. Cl.**
USPC **D14/336**

(58) **Field of Classification Search**
USPC D14/371-375, 125-129, 314, 331, 336,
D14/337, 341; 341/12; 345/104, 156, 168,
345/173; 348/180, 184, 325, 739; 349/1,
349/2, 11, 62; 361/679.05-679.07,
361/679.21; D6/300, 308; D18/4.3-4.6,
D18/12.3
CPC G06F 1/16; G06F 1/1601; G06F 3/037;
G06F 1/162; G06Q 20/18; G06Q 20/10;
G06Q 20/123; G06Q 20/20; G07G
1/0027; G07G 1/12; G07G 1/0018; G06C
7/10

See application file for complete search history.

(56) **References Cited**

U.S. PATENT DOCUMENTS

| | | | | | | |
|-----------|----|---|--------|-----------|-------|-------------------------|
| D423,466 | S | * | 4/2000 | Kuchta | | D14/300 |
| D485,270 | S | * | 1/2004 | Peng | | D14/371 |
| D488,467 | S | * | 4/2004 | Chiang | | D14/314 |
| D502,944 | S | * | 3/2005 | Kawami | | D14/336 |
| D539,797 | S | * | 4/2007 | Chiang | | D14/337 |
| 7,349,201 | B2 | * | 3/2008 | Tatsukami | | G06F 1/16 361/679.55 |
| D567,237 | S | * | 4/2008 | Kim | | D14/314 |
| D599,792 | S | * | 9/2009 | Lin | | D14/331 |

(Continued)

Primary Examiner — Freda S Nunn

(74) *Attorney, Agent, or Firm* — Saidman DesignLaw
Group, LLC

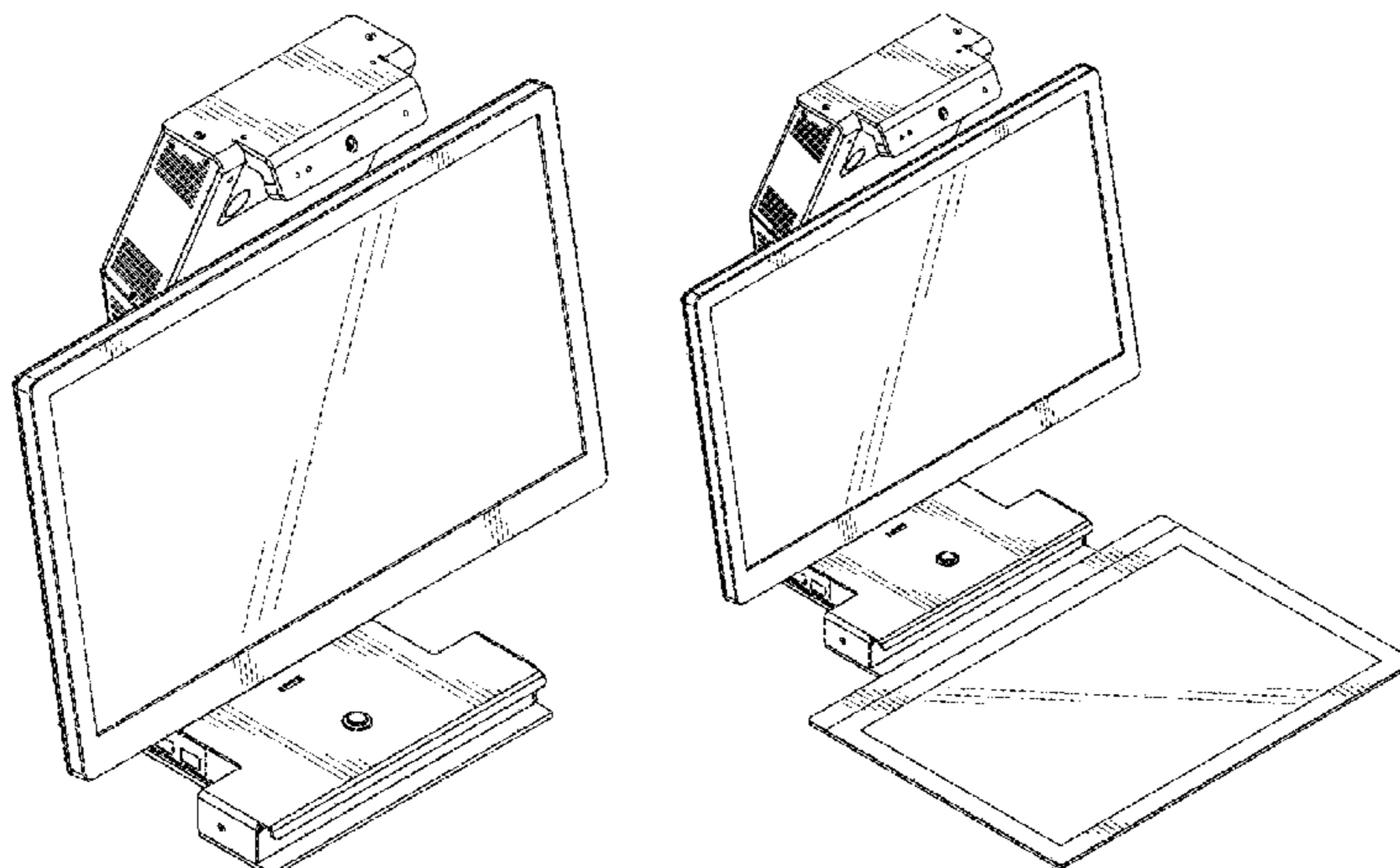
(57) **CLAIM**

The ornamental design for interactive computer, as shown
and described.

DESCRIPTION

FIG. 1 is a front perspective view of an interactive computer
wherein the pad is detached;
FIG. 2 is a rear perspective view thereof;
FIG. 3 is a front view thereof;
FIG. 4 is a rear view thereof;
FIG. 5 is a left view thereof;
FIG. 6 is a right view thereof;
FIG. 7 is a top view thereof;
FIG. 8 is a bottom view thereof;
FIG. 9 is a front perspective view of an interactive computer
wherein a pad is attached;
FIG. 10 is a rear perspective view thereof;
FIG. 11 is a front view thereof;
FIG. 12 is a rear view thereof;
FIG. 13 is a left view thereof;
FIG. 14 is a right view thereof;
FIG. 15 is a top view thereof; and,
FIG. 16 is a bottom view thereof.

(Continued)



The broken lines shown in the drawings are for environment only and form no part of the claimed design.

1 Claim, 7 Drawing Sheets

(56) **References Cited**

U.S. PATENT DOCUMENTS

| | | | |
|-------------------|---------|-------------------|--------------|
| D619,133 S * | 7/2010 | Bucsa | D14/314 |
| 2006/0150869 A1 * | 7/2006 | Cvek | A47B 21/0073 |
| | | | 108/25 |
| 2006/0256512 A1 * | 11/2006 | Esther Kang | G06F 1/162 |
| | | | 361/679.05 |

* cited by examiner

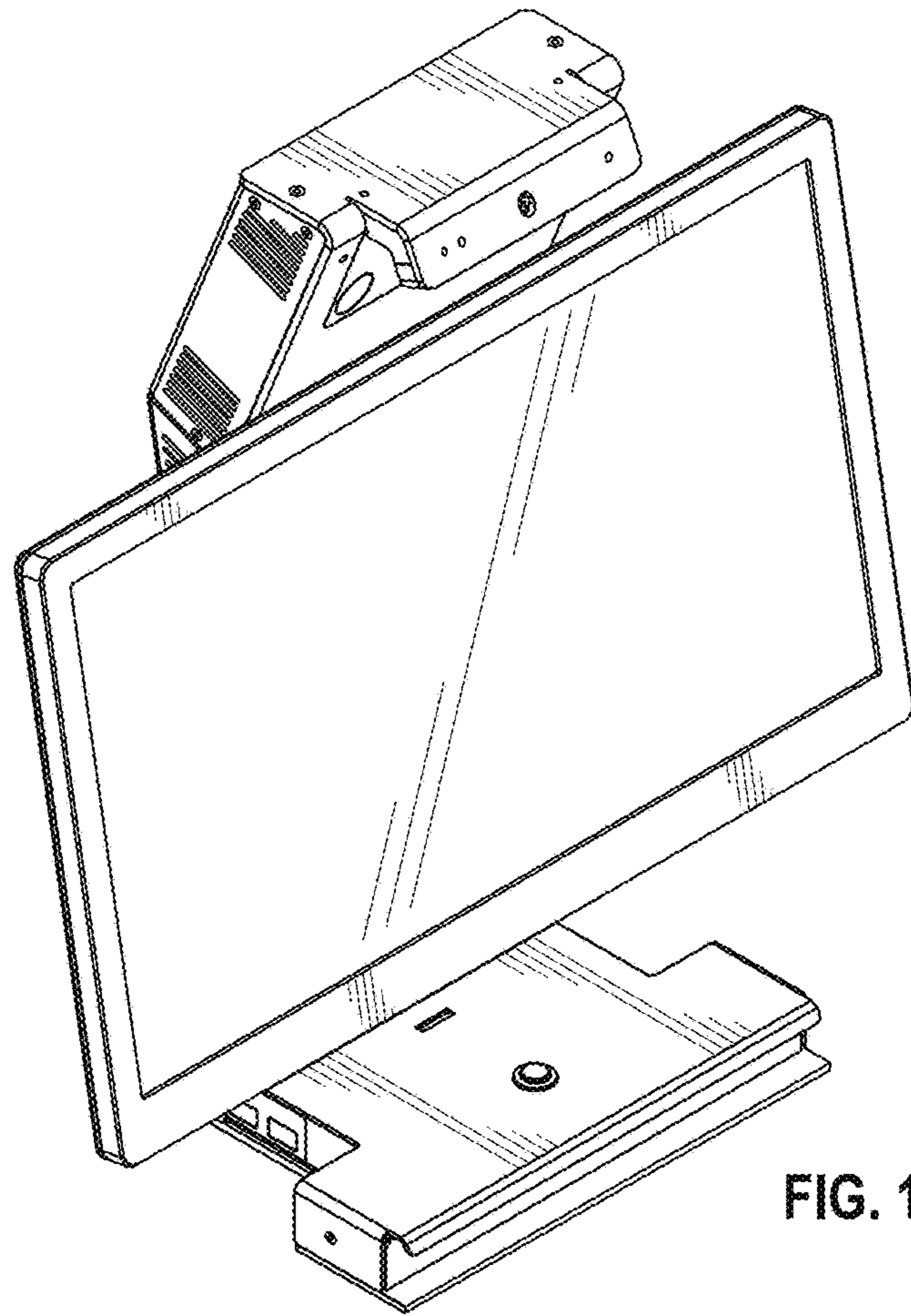


FIG. 1

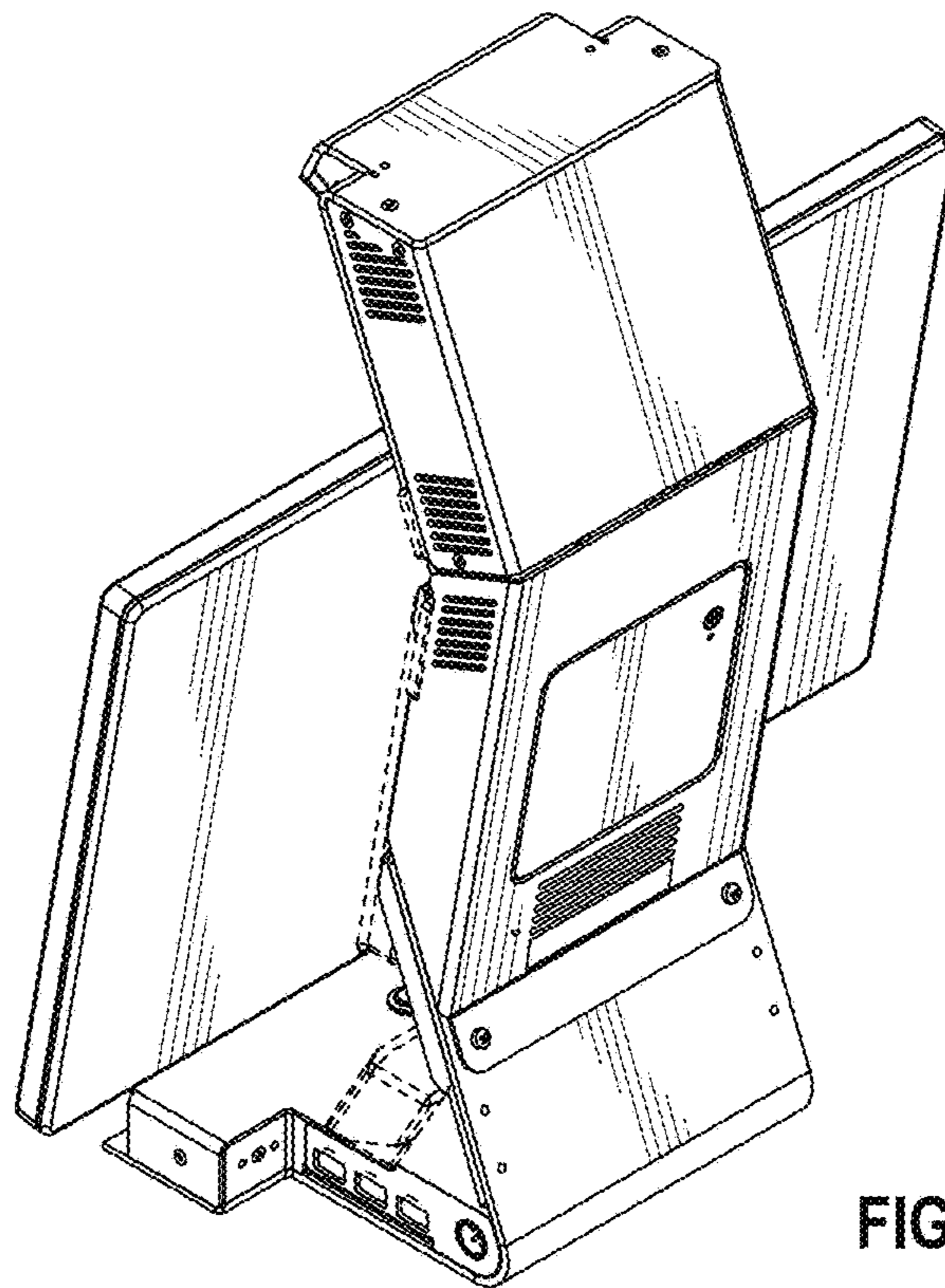


FIG. 2

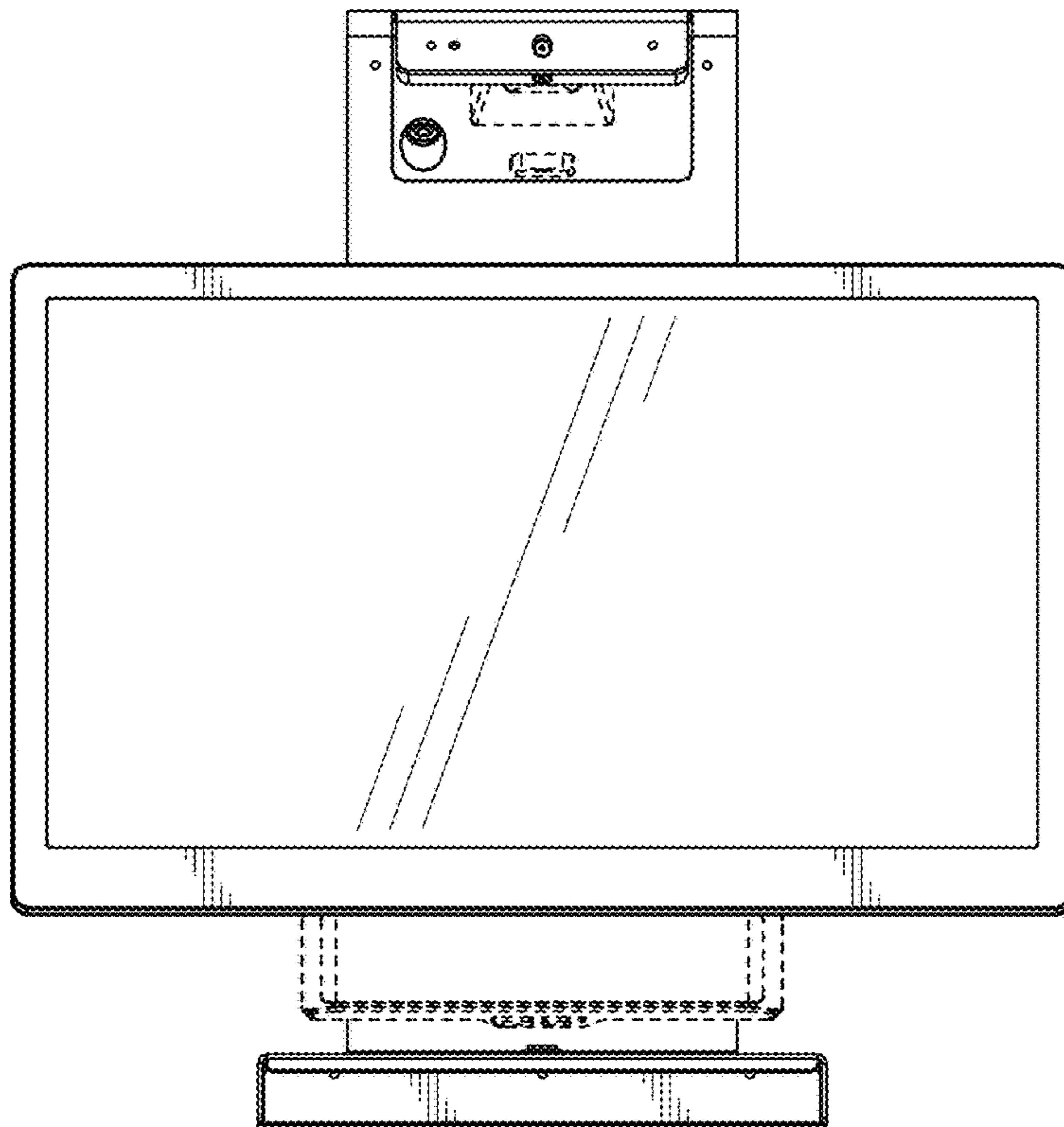


FIG. 3

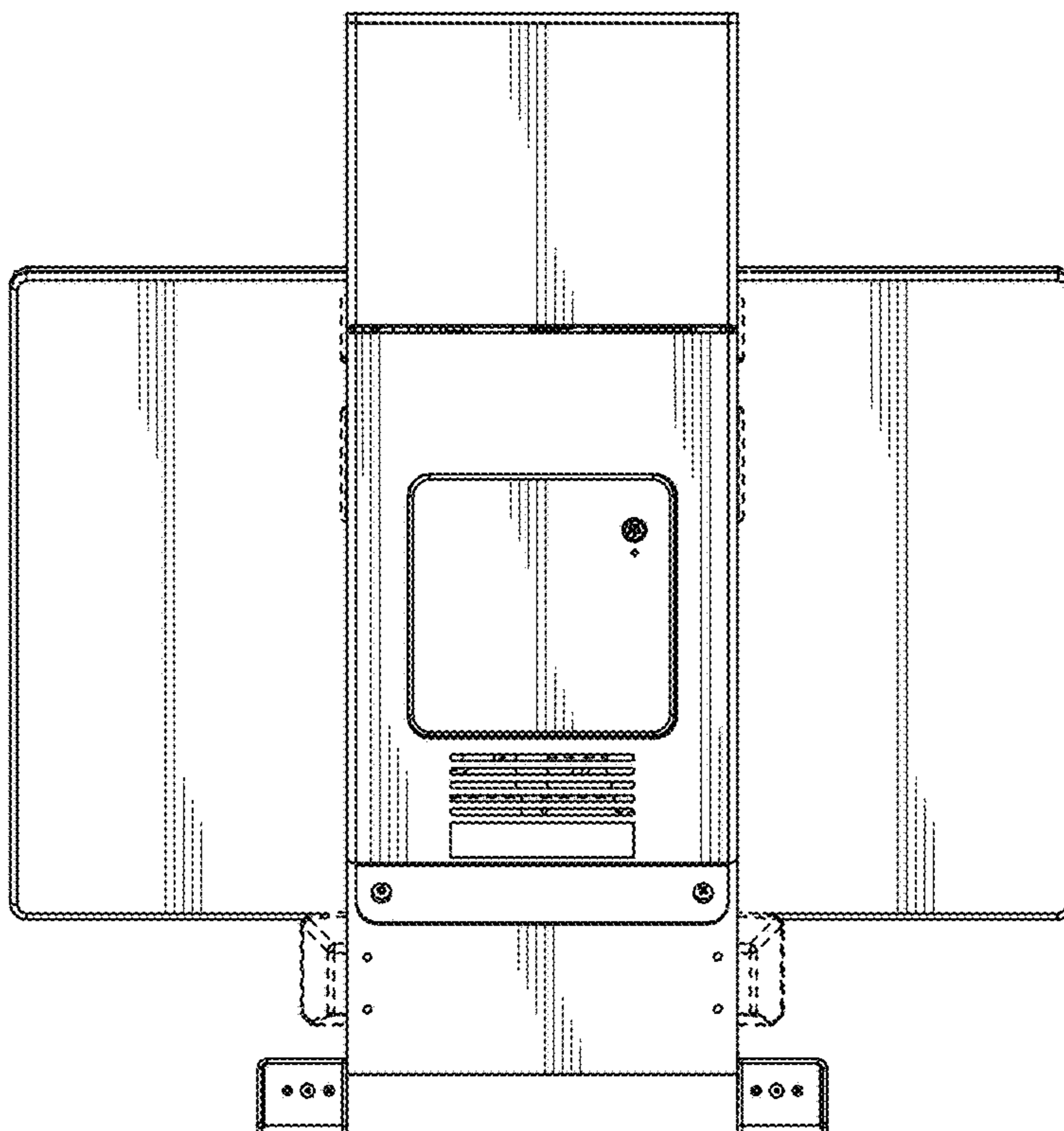


FIG. 4

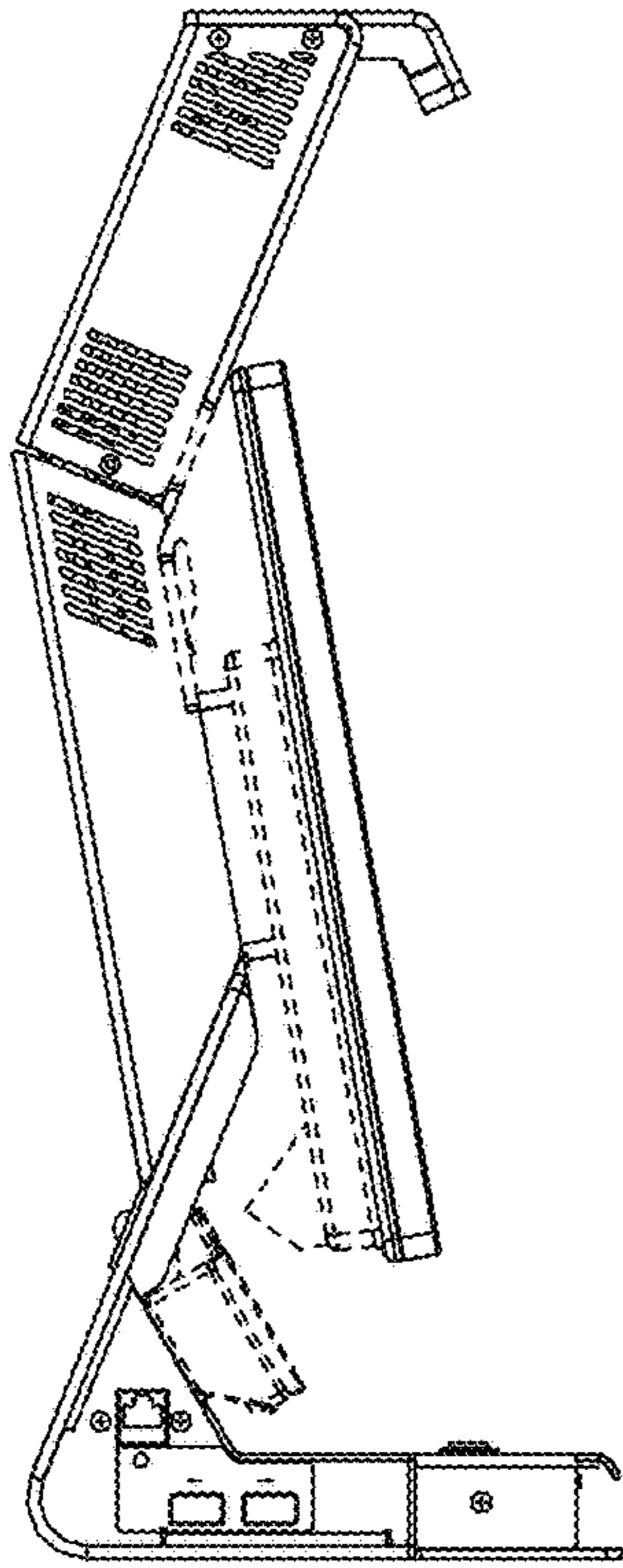


FIG. 5

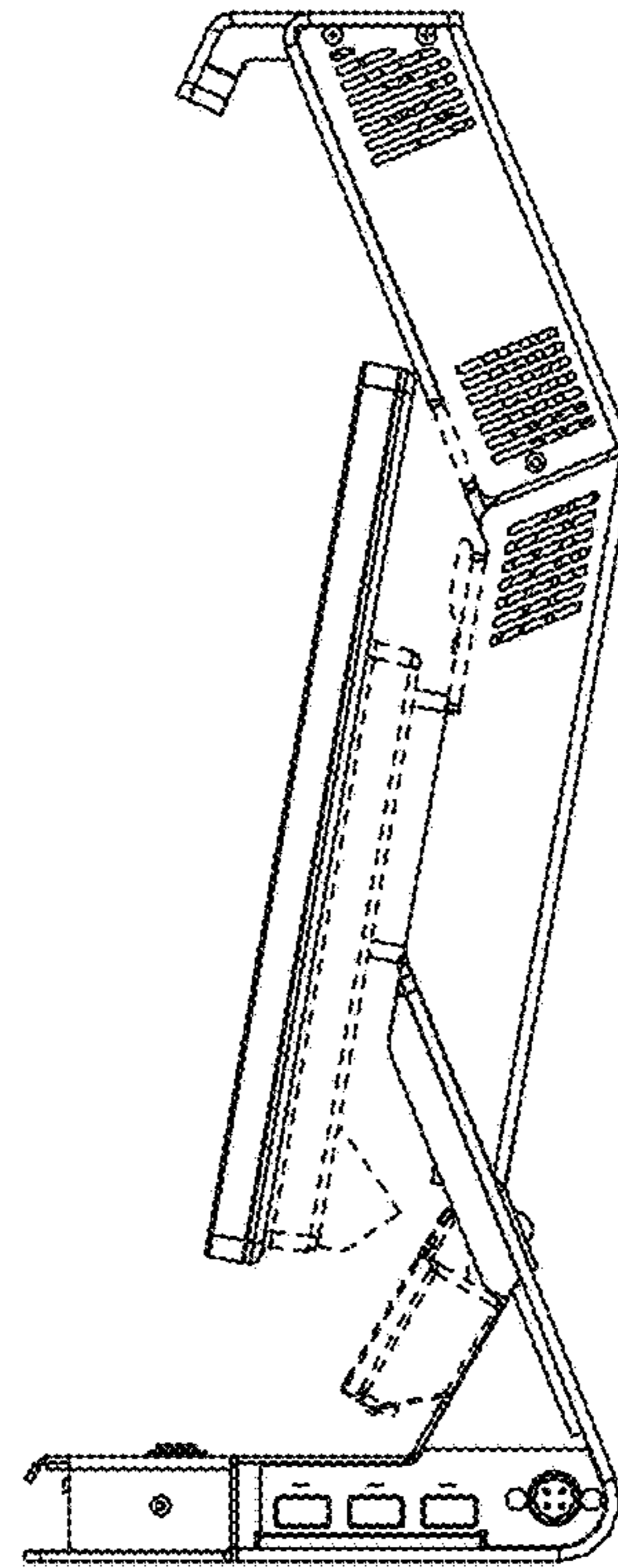


FIG. 6

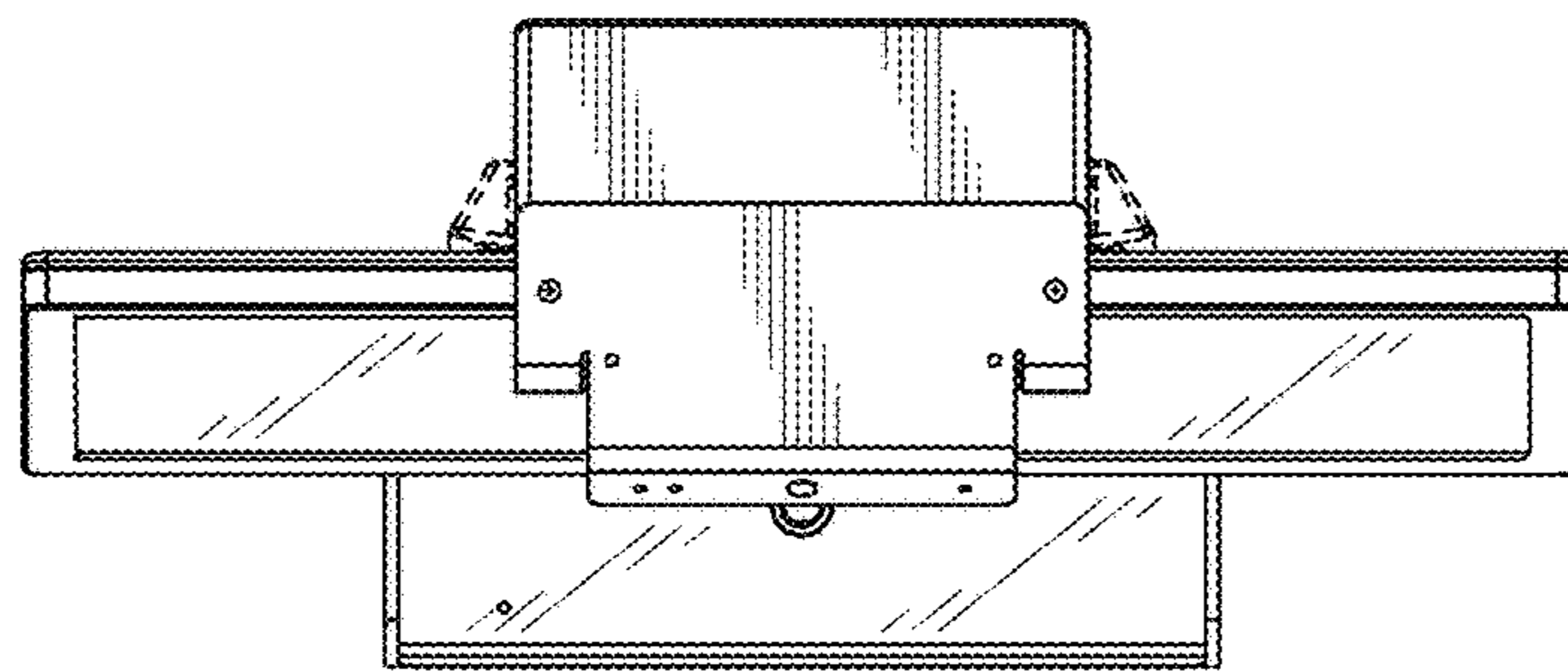


FIG. 7

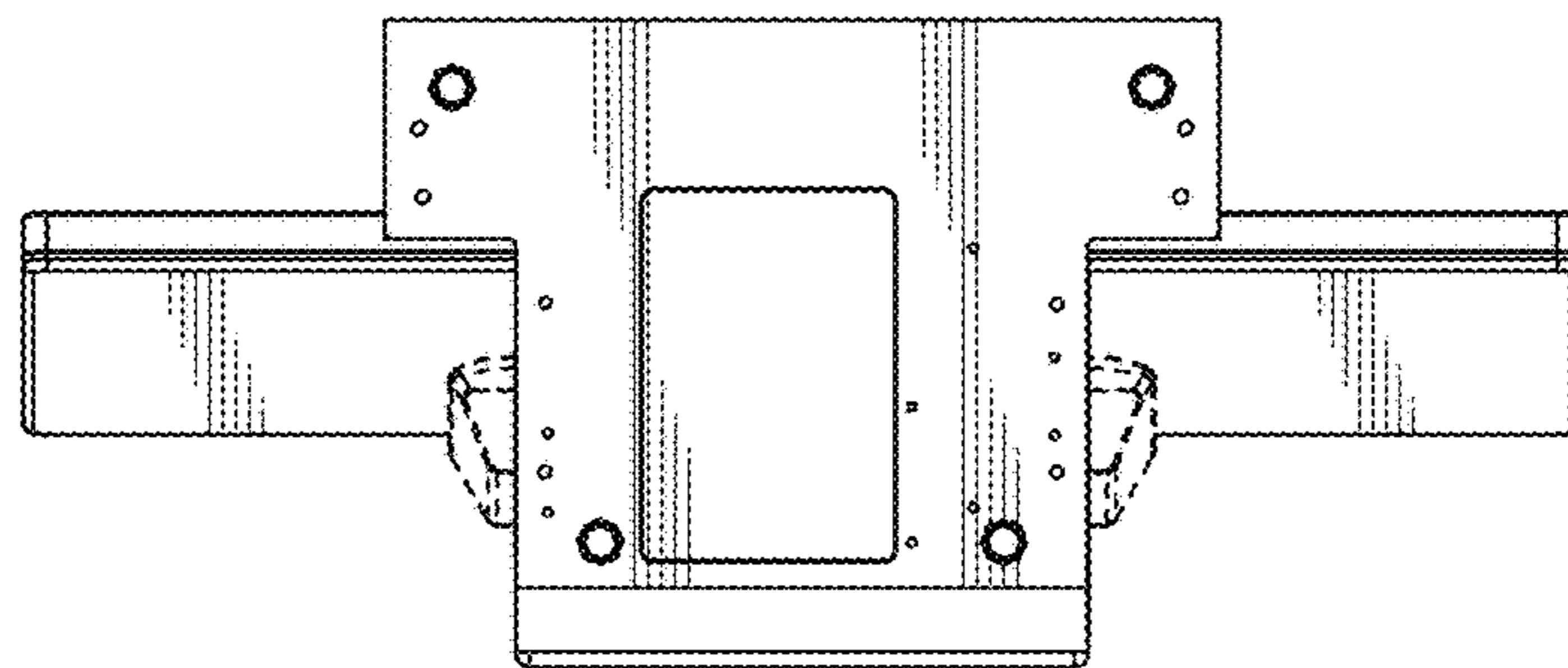


FIG. 8

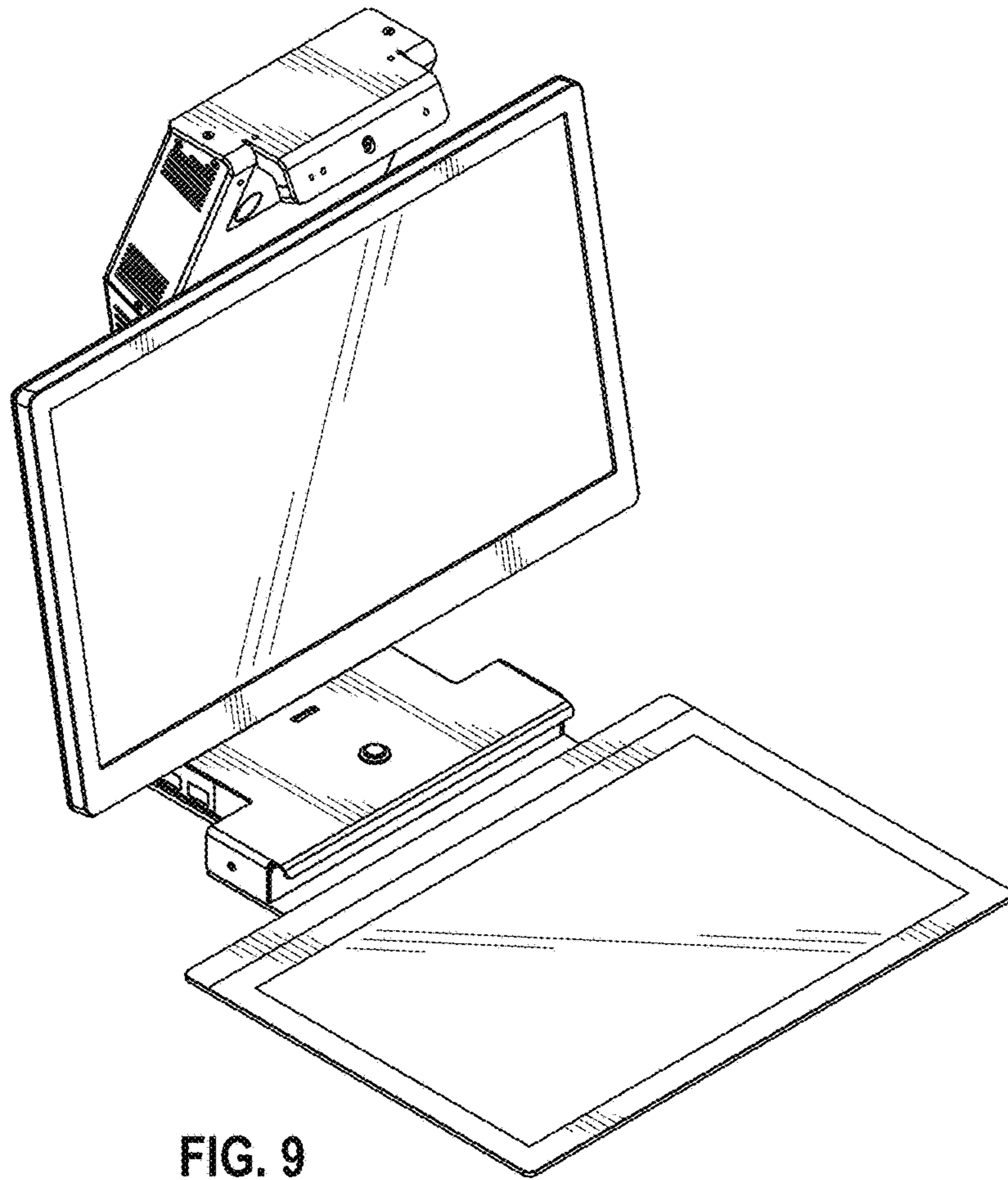


FIG. 9

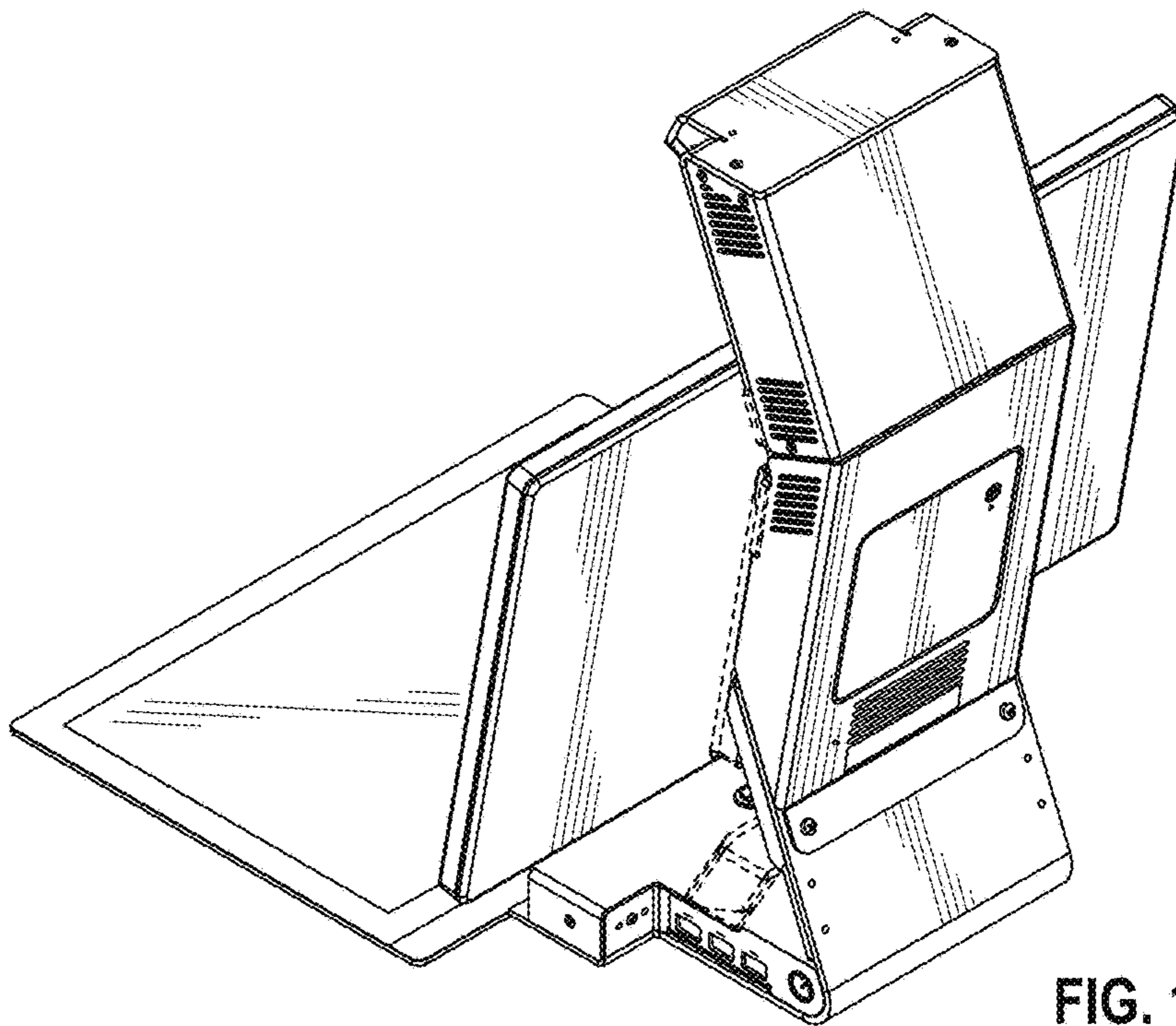


FIG. 10

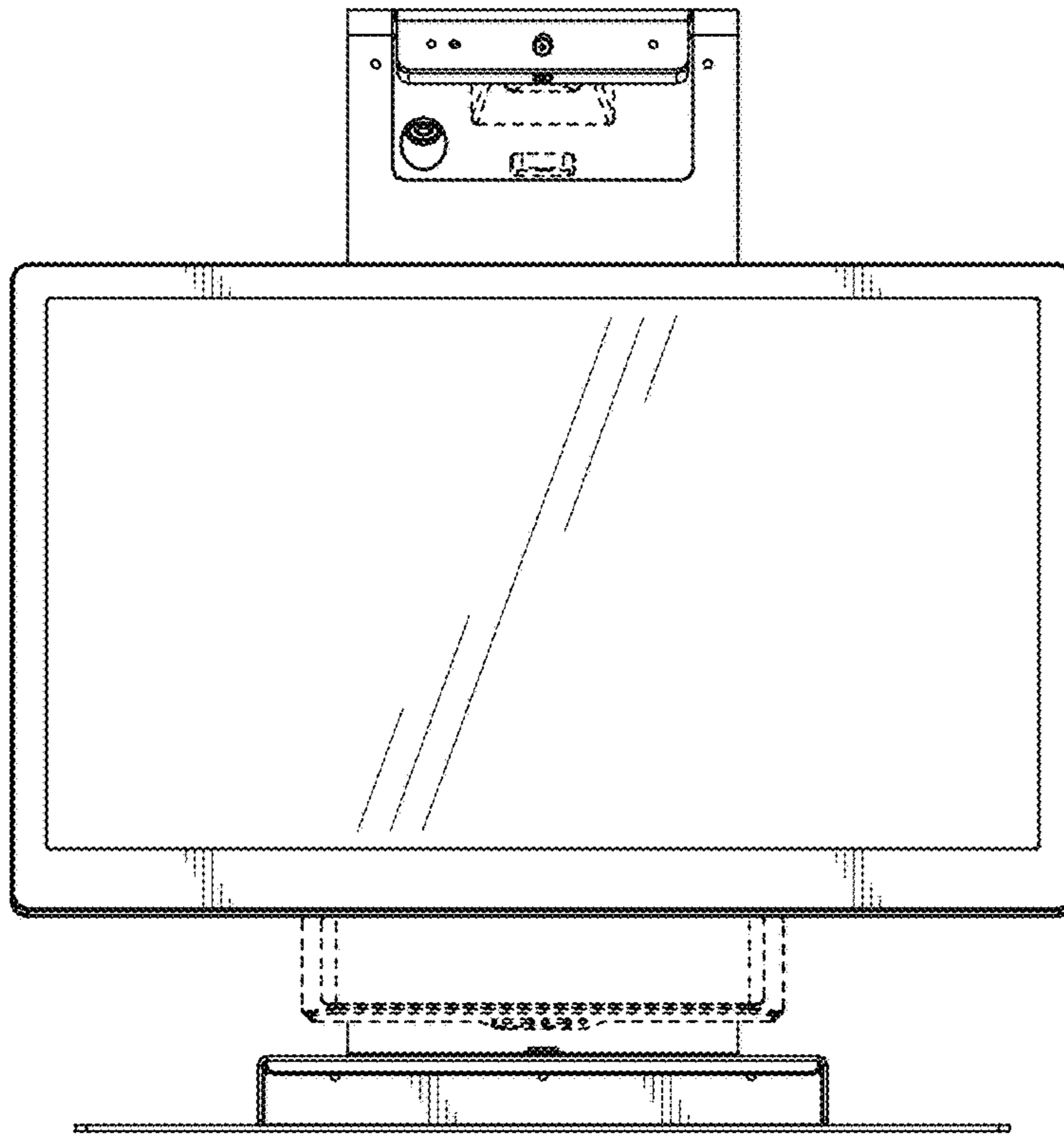


FIG. 11

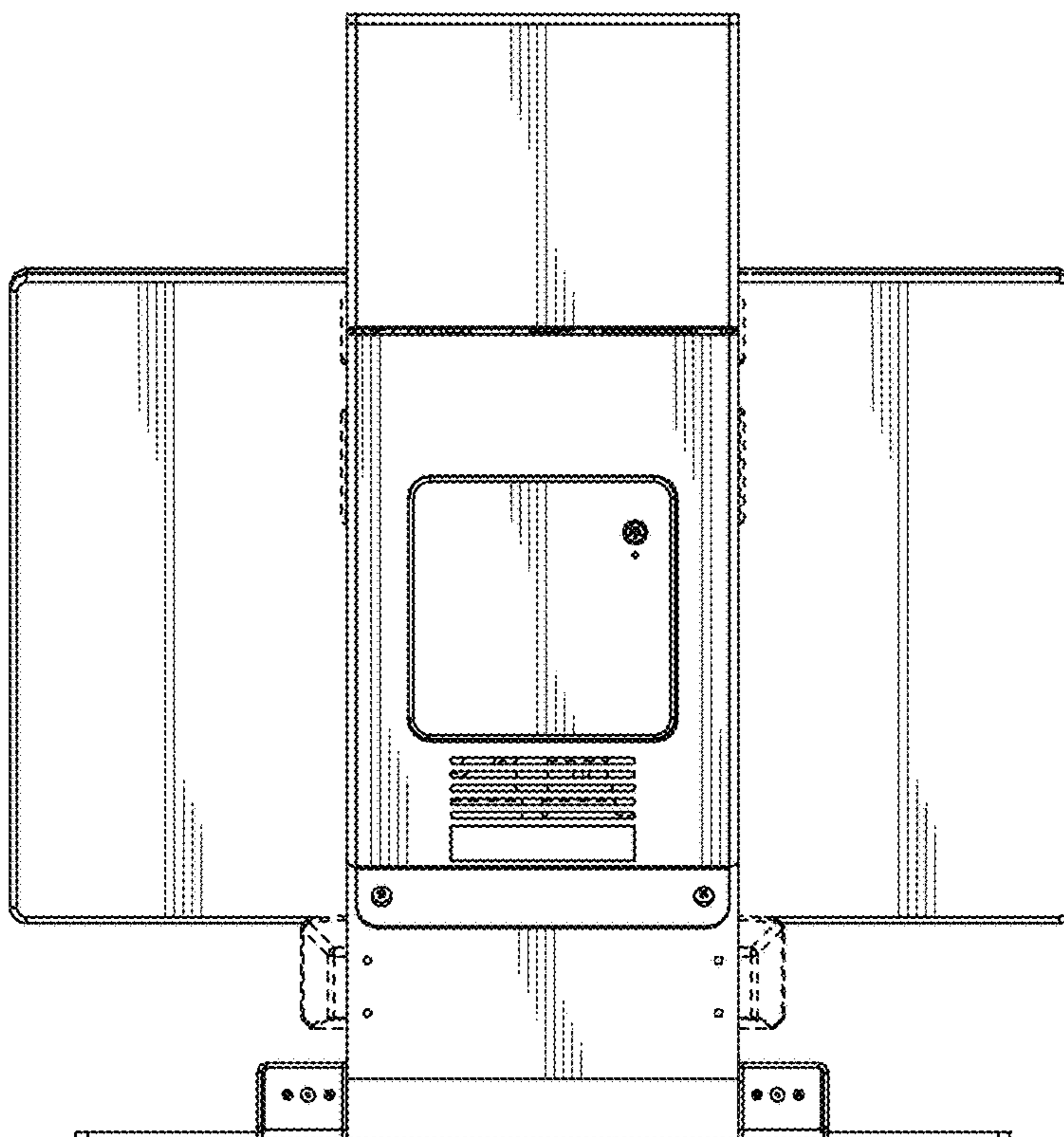


FIG. 12

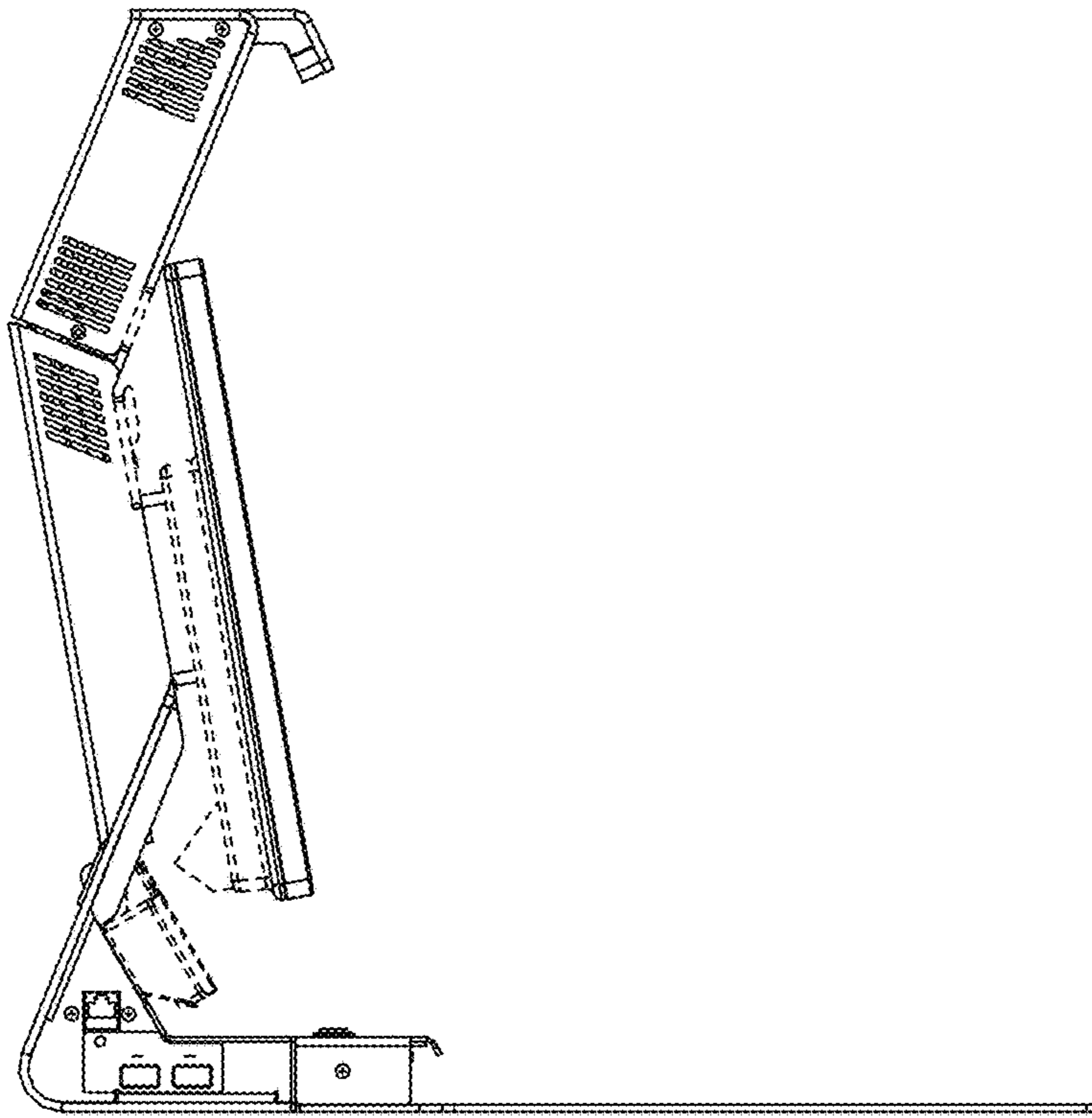


FIG. 13

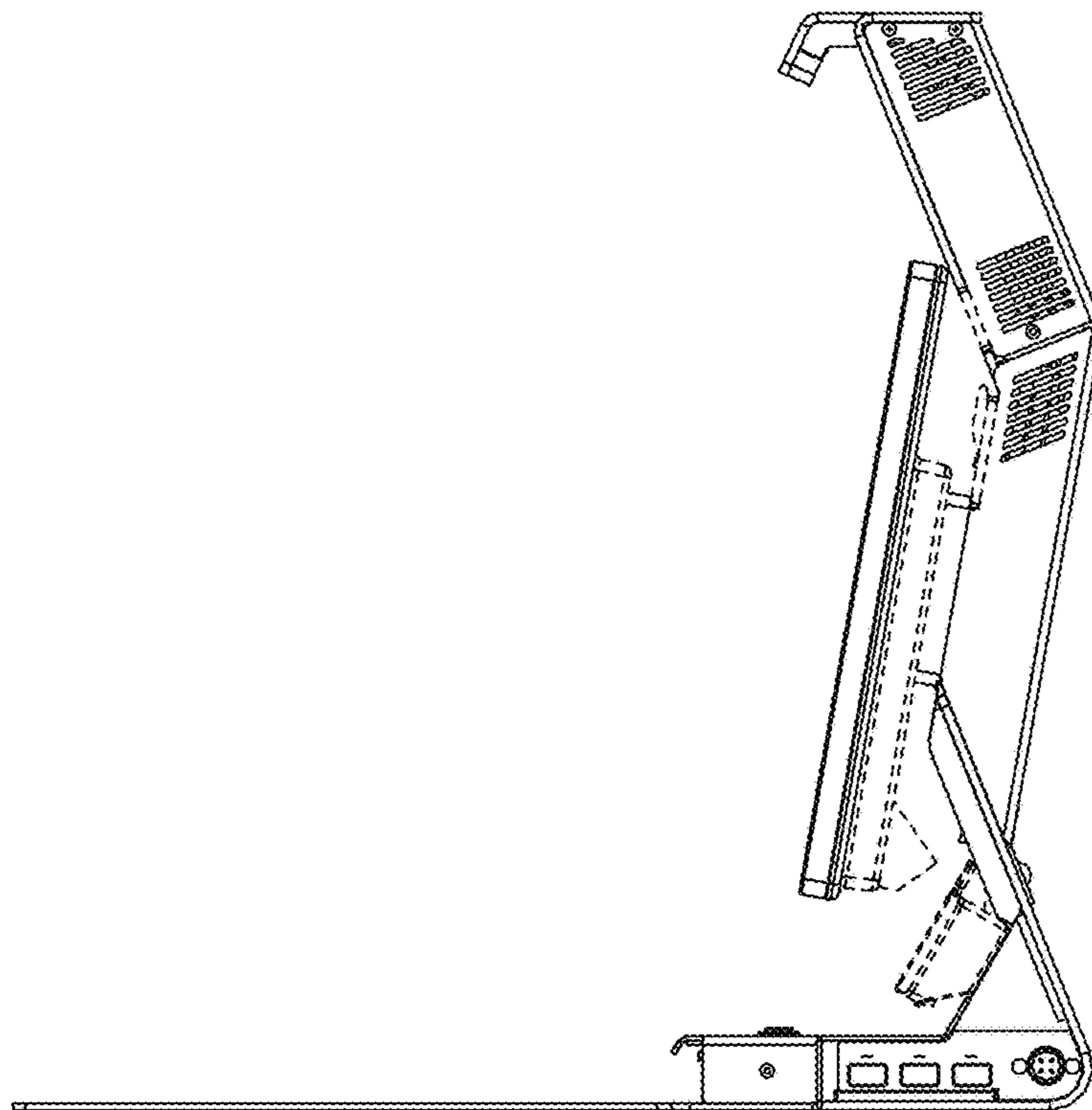


FIG. 14

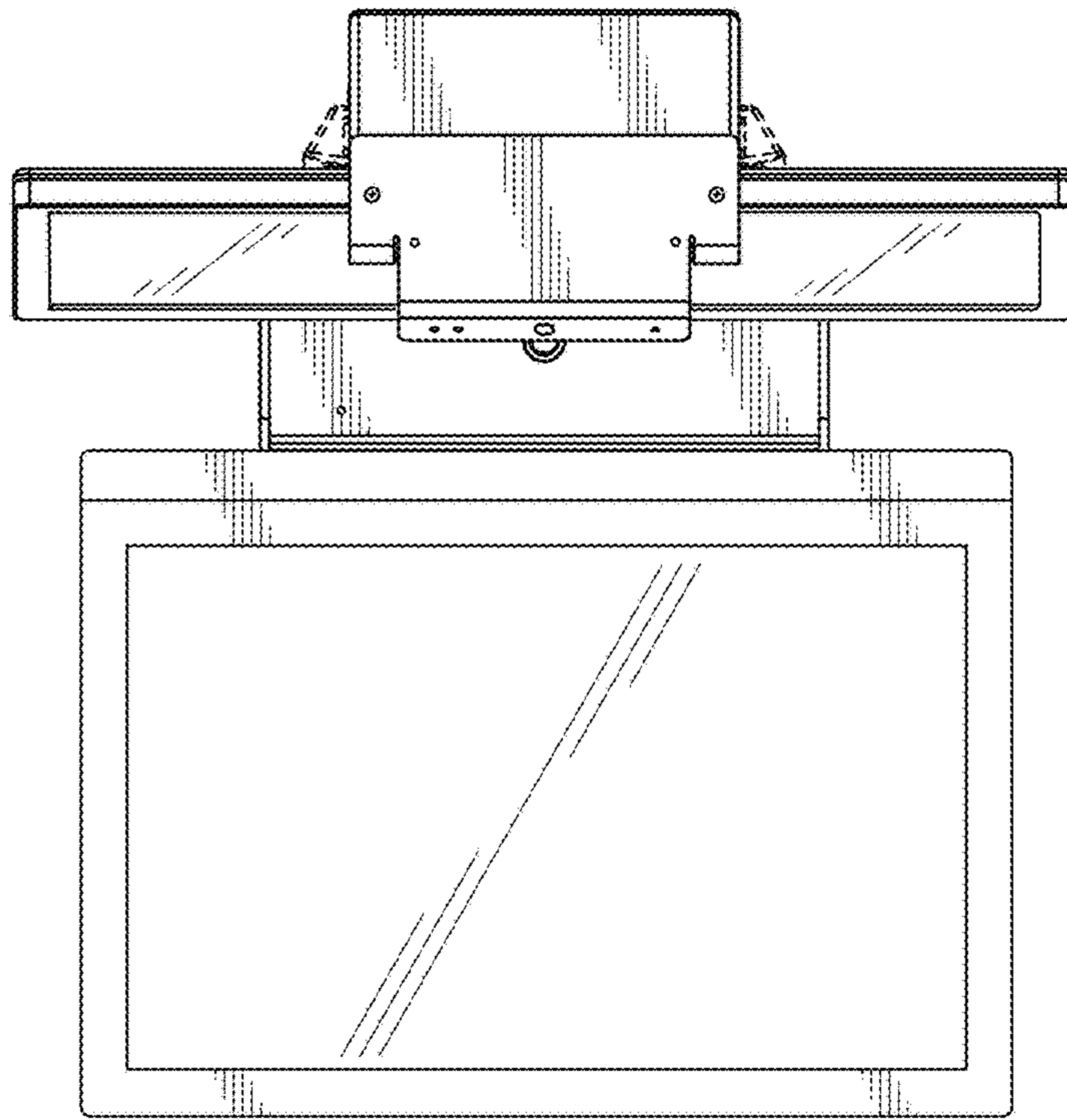


FIG. 15

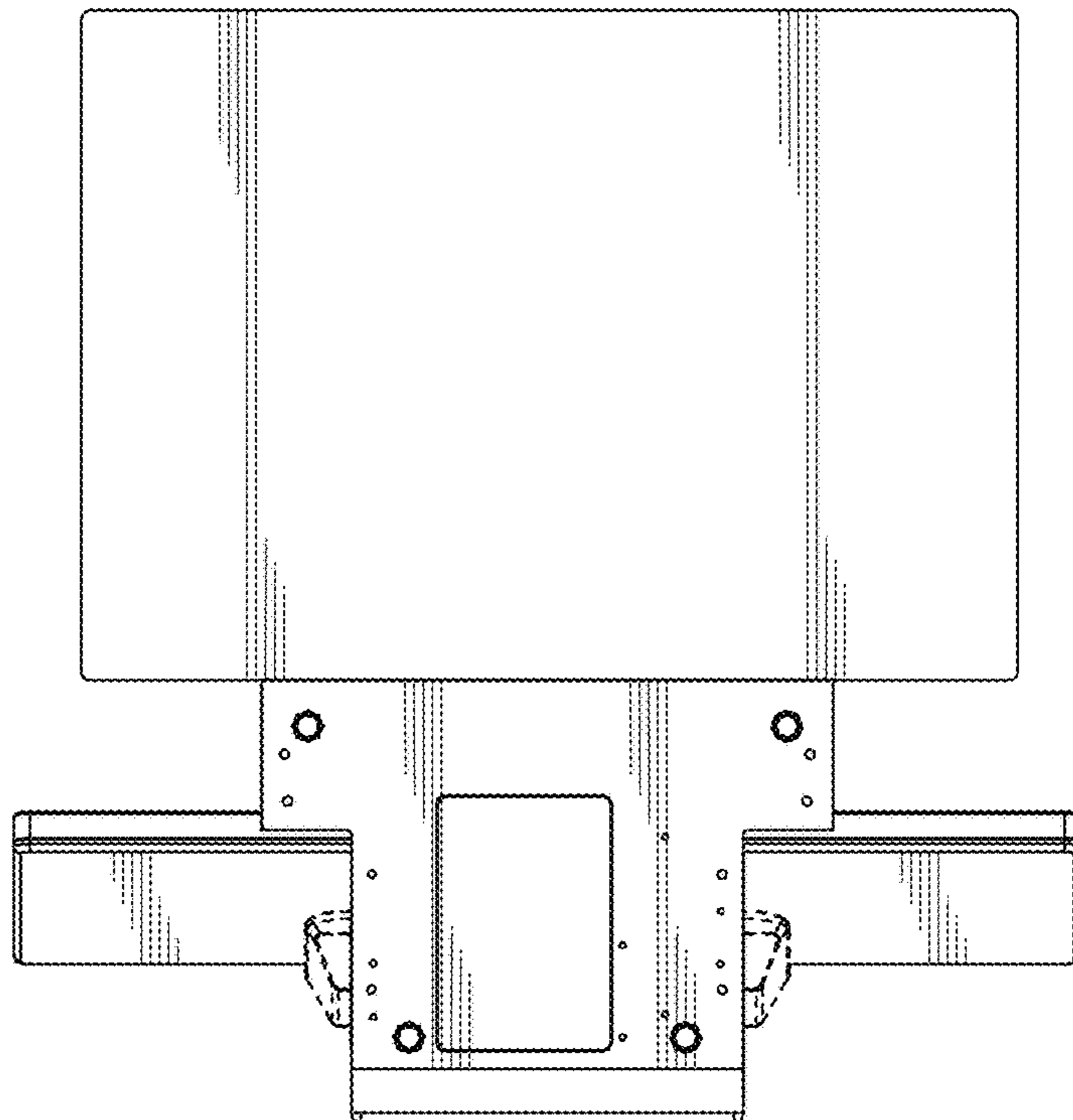


FIG. 16