



US00D775122S

(12) **United States Design Patent** (10) **Patent No.:** **US D775,122 S**
Goos (45) **Date of Patent:** **** Dec. 27, 2016**

(54) **SERVER**

7/20; H05K 7/20545; H05K 7/20727;
H05H 7/20; G11B 33/126; G11B 33/128;
G11B 33/08

(71) Applicant: **ACQUIFER AG**, Karlsruhe (DE)

See application file for complete search history.

(72) Inventor: **Jurgen Goos**, Speyer (DE)

(56) **References Cited**

(73) Assignee: **Acquifer AG**, Karlsruhe (DE)

U.S. PATENT DOCUMENTS

(**) Term: **14 Years**

D412,890 S *	8/1999	Nesenoff	D14/300
6,088,224 A *	7/2000	Gallagher	G06F 1/184 165/104.33
D428,886 S *	8/2000	Hu	D14/348
D486,822 S *	2/2004	Itou	D14/313

(21) Appl. No.: **29/516,242**

* cited by examiner

(22) Filed: **Jan. 30, 2015**

(51) **LOC (10) Cl.** **14-02**

Primary Examiner — Freda S Nunn

(52) **U.S. Cl.**

(74) *Attorney, Agent, or Firm* — Renner, Otto, Boisselle & Sklar, LLP

USPC **D14/313**

(58) **Field of Classification Search**

(57) **CLAIM**

The ornamental design for a server, as shown and described.

USPC D14/240, 300, 301, 308, 313, 314,
D14/348–356, 364–368, 441–446, 188;

DESCRIPTION

D13/123, 158, 162, 184, 199;
312/223.1–223.3, 351.11;

FIG. 1 is a perspective view of a server showing my new design;

360/99.01–99.12; 369/34.01–36.01;

FIG. 2 is a front view thereof, the rear view being identical;

361/679.31–679.33, 679.37, 679.39,
361/679.46, 679.53, 679.4, 679.41, 727

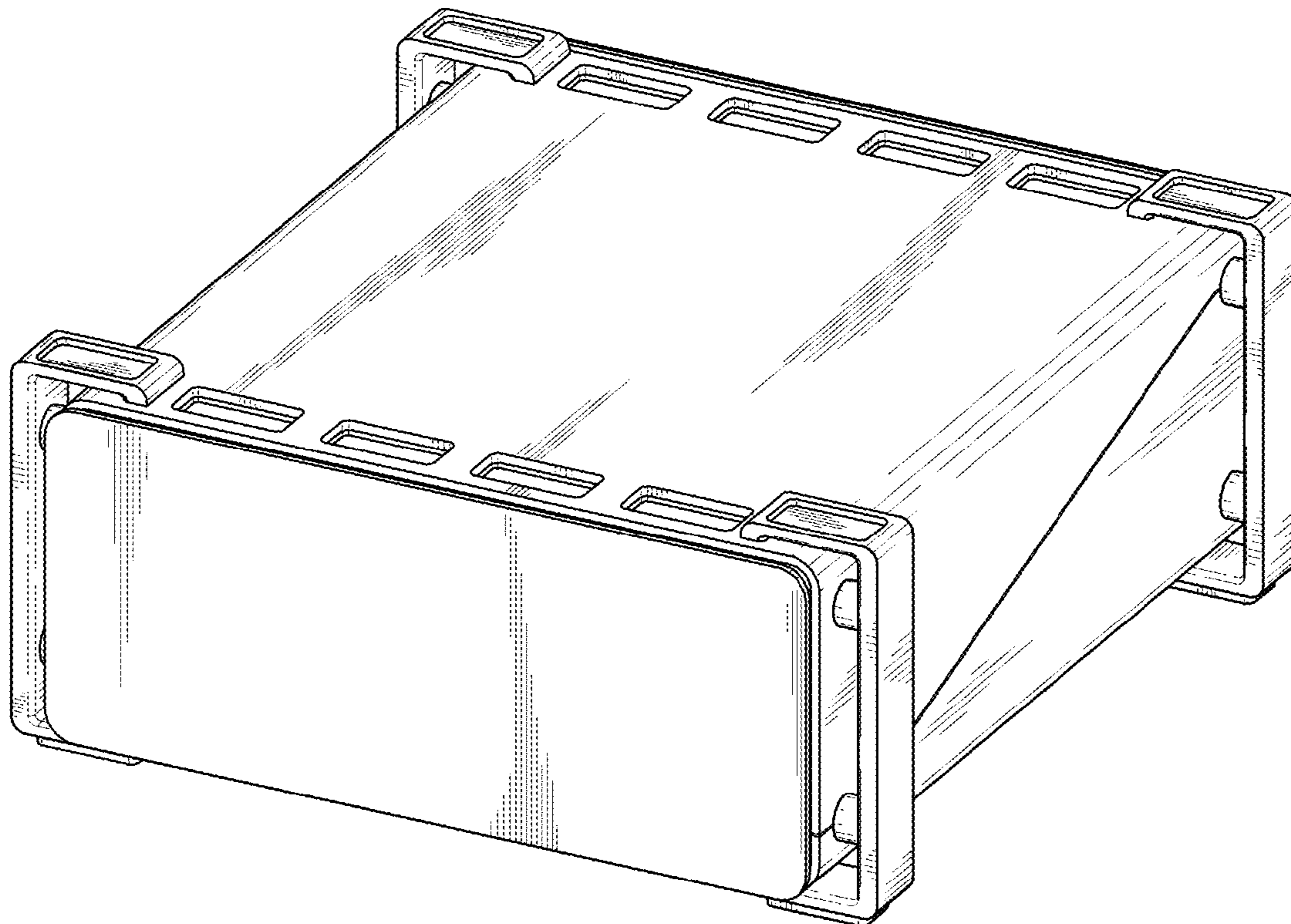
FIG. 3 is a left side view thereof;

CPC G06F 1/20; G06F 1/181; G06F 1/187;
G06F 1/183; G06F 1/184; H05K
7/16; H05K 7/1424; H05K 7/1409; H05K

FIG. 4 is a right side view thereof; and,

FIG. 5 is a top view thereof, the bottom view being identical.

1 Claim, 5 Drawing Sheets



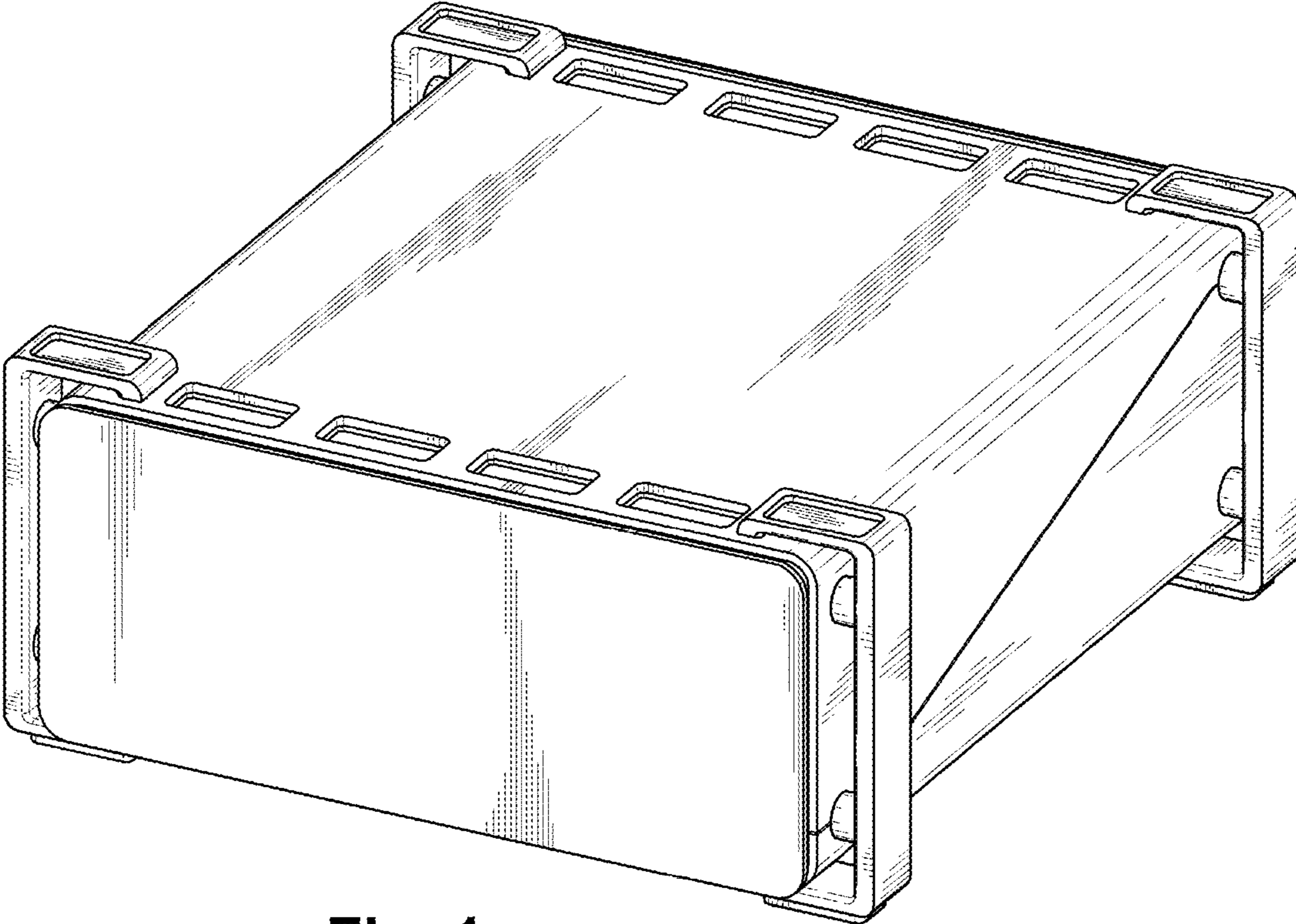


Fig. 1

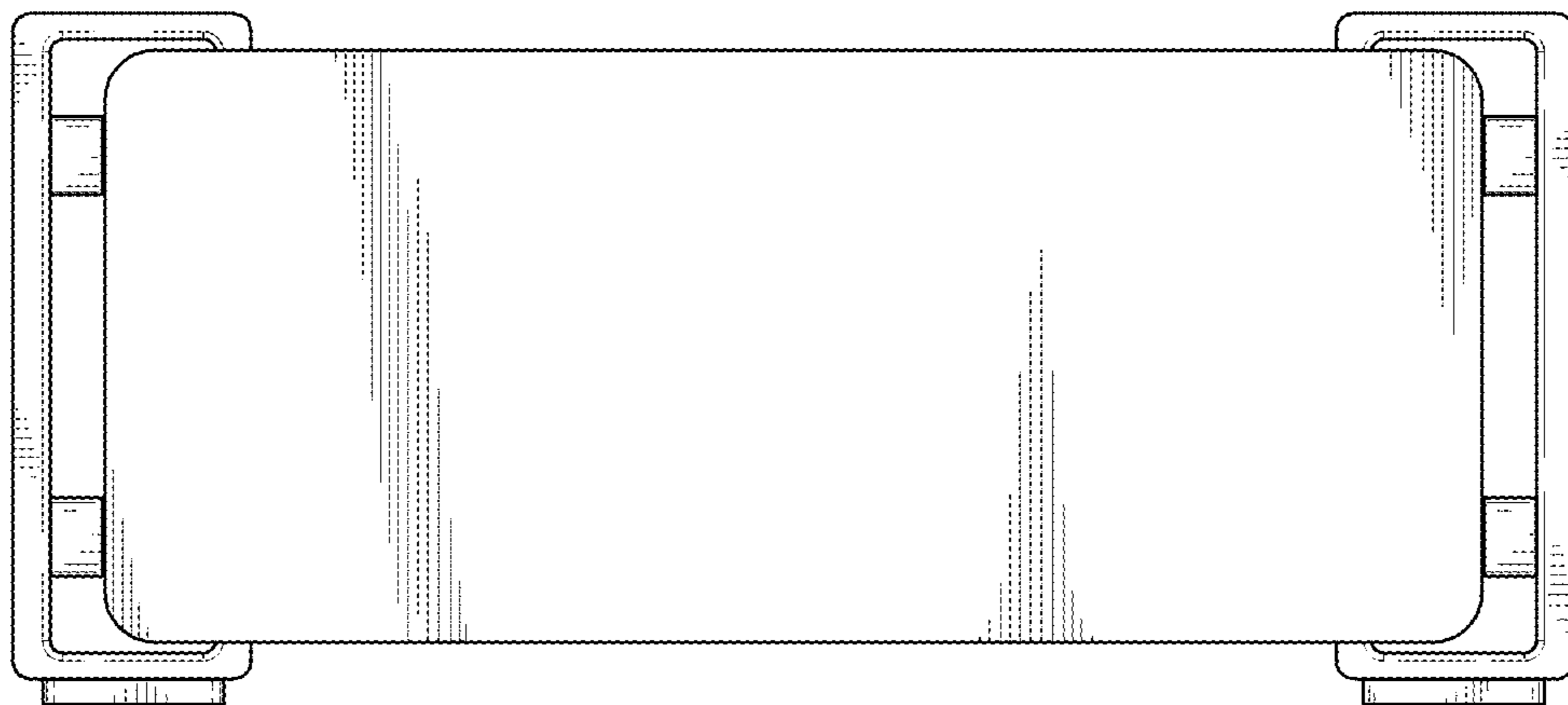


Fig. 2

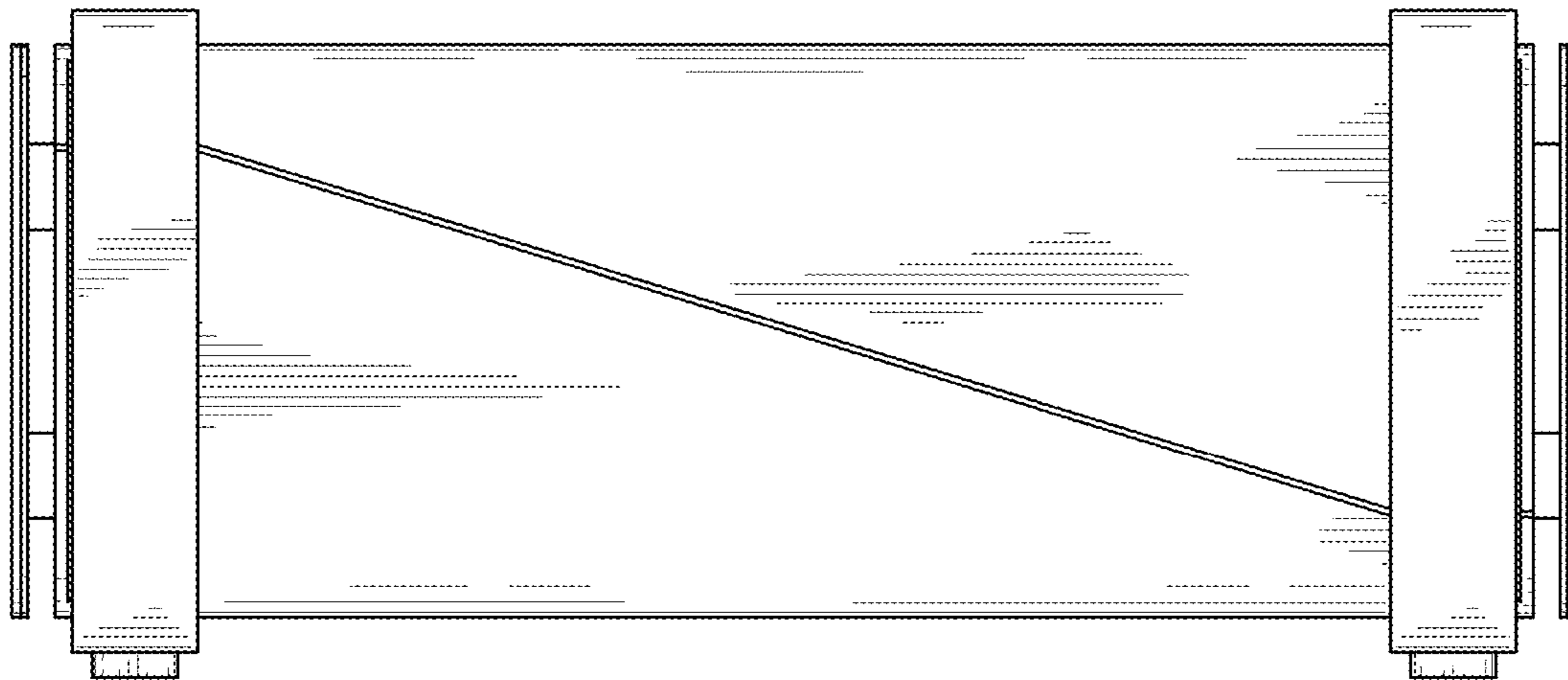


Fig. 3

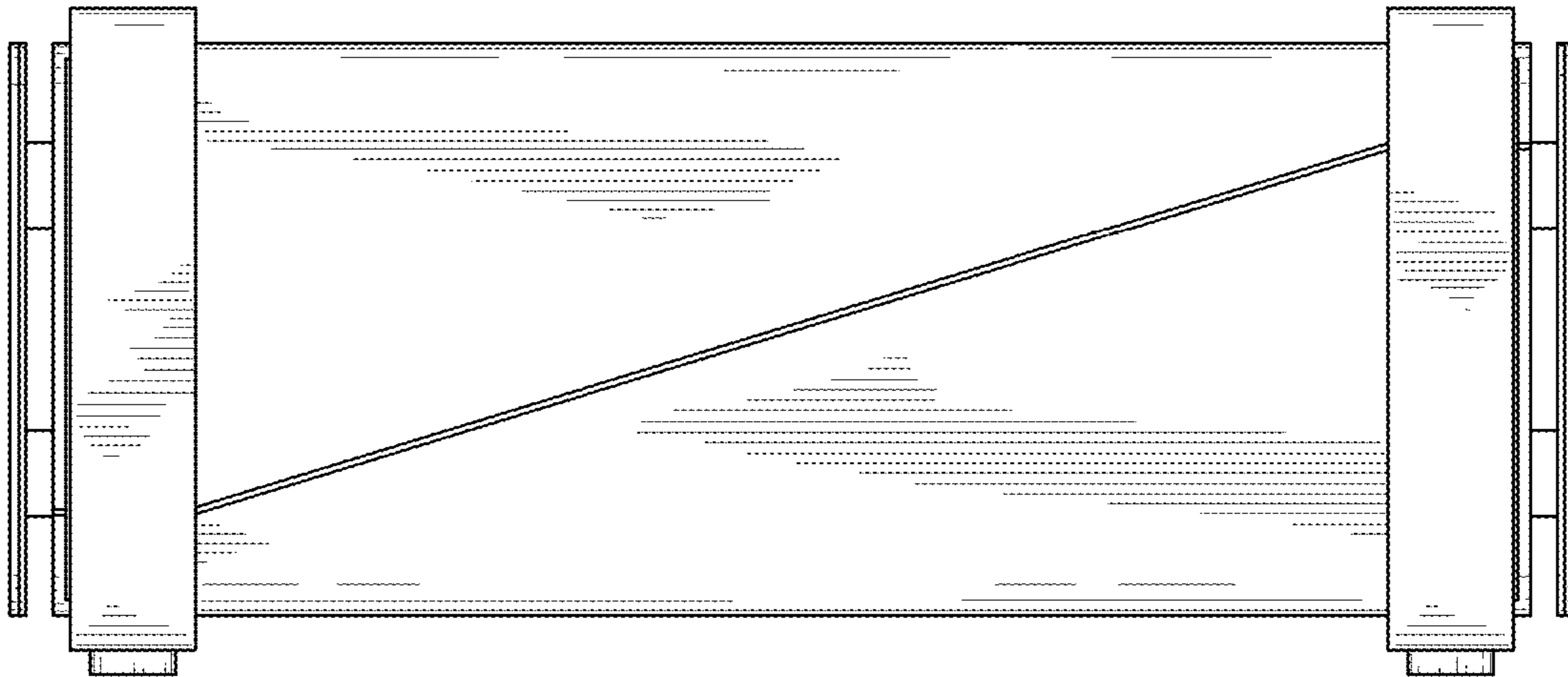


Fig. 4

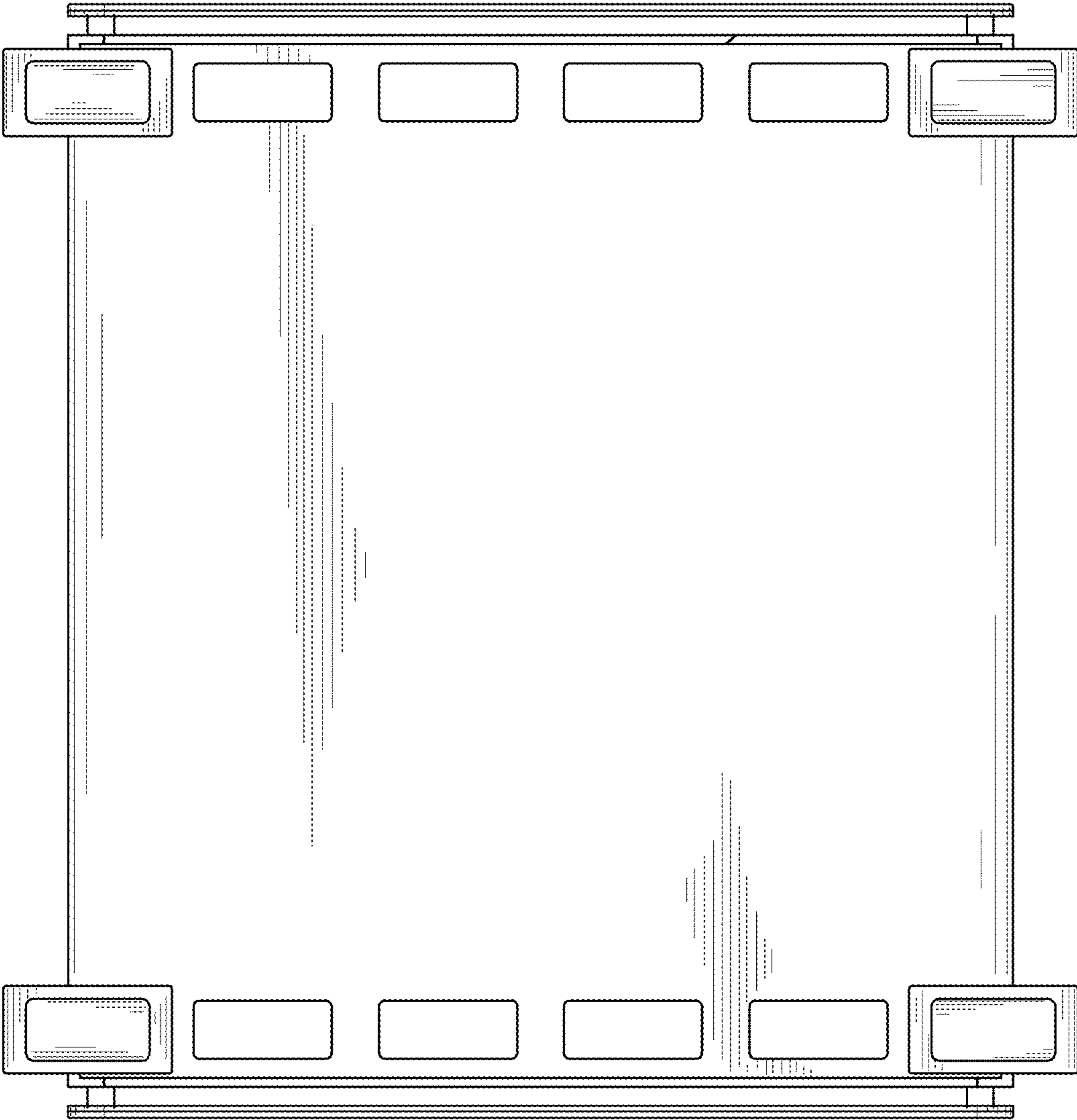


Fig. 5