



US00D775120S

(12) **United States Design Patent** (10) **Patent No.:** **US D775,120 S**
Suzuki (45) **Date of Patent:** **** Dec. 27, 2016**

(54) **DIGITAL AUDIO DISC PLAYER FOR AUTOMOBILE**

(71) Applicant: **JVC KENWOOD Corporation**,
Yokohama-shi, Kanagawa (JP)

(72) Inventor: **Yasuhiro Suzuki**, Yamato (JP)

(73) Assignee: **JVC KENWOOD CORPORATION**,
Kanagawa (JP)

(**) Term: **15 Years**

(21) Appl. No.: **29/539,903**

(22) Filed: **Sep. 18, 2015**

(30) **Foreign Application Priority Data**

Jun. 17, 2015 (JP) D2015-013378

(51) **LOC (10) Cl.** **14-03**

(52) **U.S. Cl.**
USPC **D14/258**

(58) **Field of Classification Search**
USPC D12/192, 195, 415, 420; D14/496,
D14/498-506, 154, 157, 168-171,
D14/188-198, 218, 257-258; 248/27.1,
248/27.3, 558; 455/347, 350
CPC B60R 11/02; B60K 37/04; B60K 37/06;
H04B 1/08; H04B 1/082

See application file for complete search history.

(56) **References Cited**

U.S. PATENT DOCUMENTS

D538,257 S *	3/2007	Shimizu	D14/506
D561,754 S *	2/2008	Riede	D14/257
D576,160 S *	9/2008	Sei	D14/258
D671,519 S *	11/2012	Kanou	D14/157
D672,742 S *	12/2012	Katsuno	D14/157
D706,257 S *	6/2014	Harada	D14/258
D714,776 S *	10/2014	Kirzinger	D14/258

* cited by examiner

Primary Examiner — Sandra Morris

(74) *Attorney, Agent, or Firm* — Cantor Colburn, LLP

(57) **CLAIM**

The ornamental design for a digital audio disc player for automobile, as shown and described.

DESCRIPTION

FIG. 1 is a perspective view of an embodiment of a digital audio disc player for automobile.

FIG. 2 is a front view of the embodiment of FIG. 1.

FIG. 3 is a top view of the embodiment of FIG. 1.

FIG. 4 is a bottom view of the embodiment of FIG. 1.

FIG. 5 is a right side view of the embodiment of FIG. 1; and, FIG. 6 is a left side view of the embodiment of FIG. 1.

The broken lines in the drawings are for the purpose of illustrating portions of the digital audio disc player for automobile that form no part of the claimed design.

1 Claim, 6 Drawing Sheets

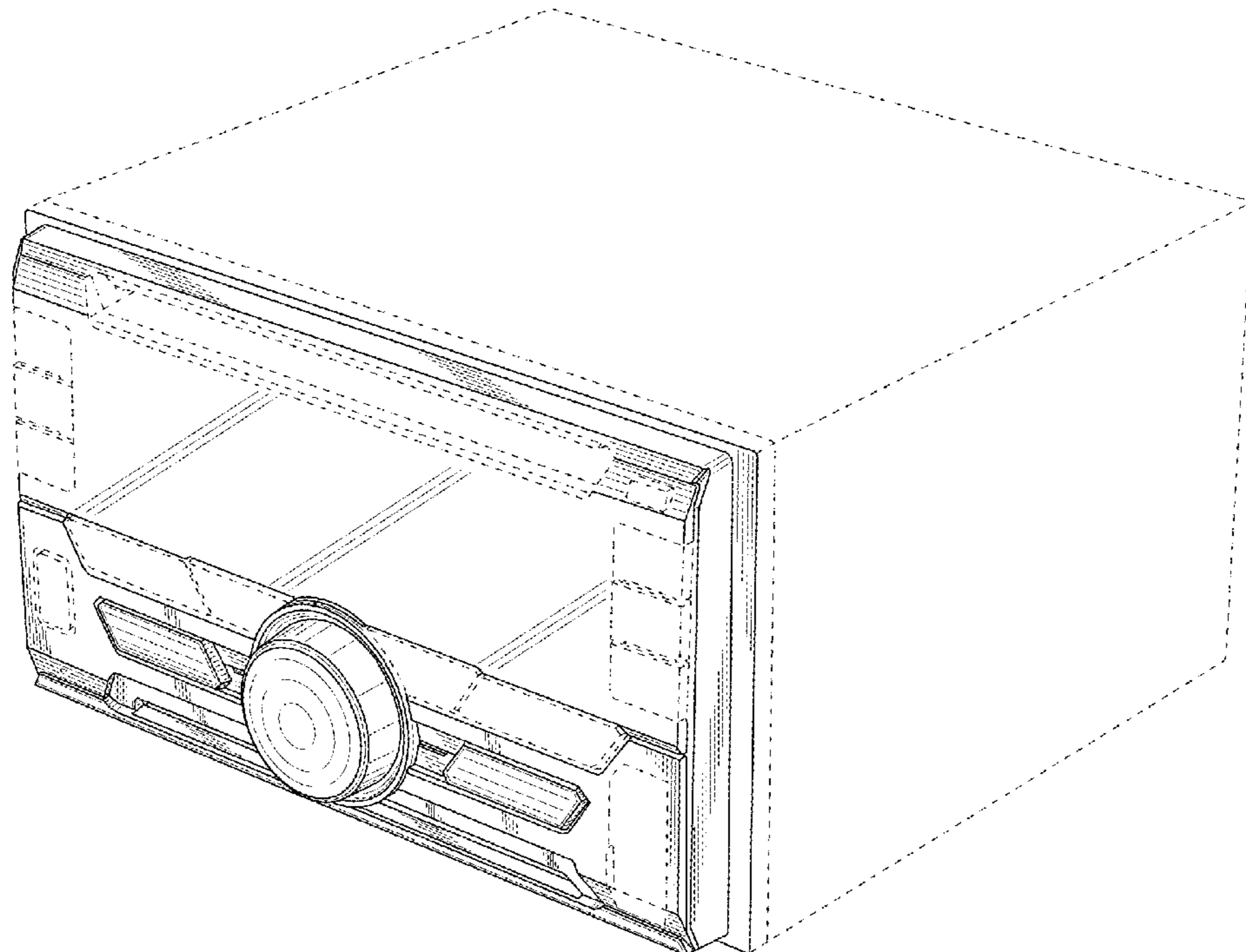


FIG. 1

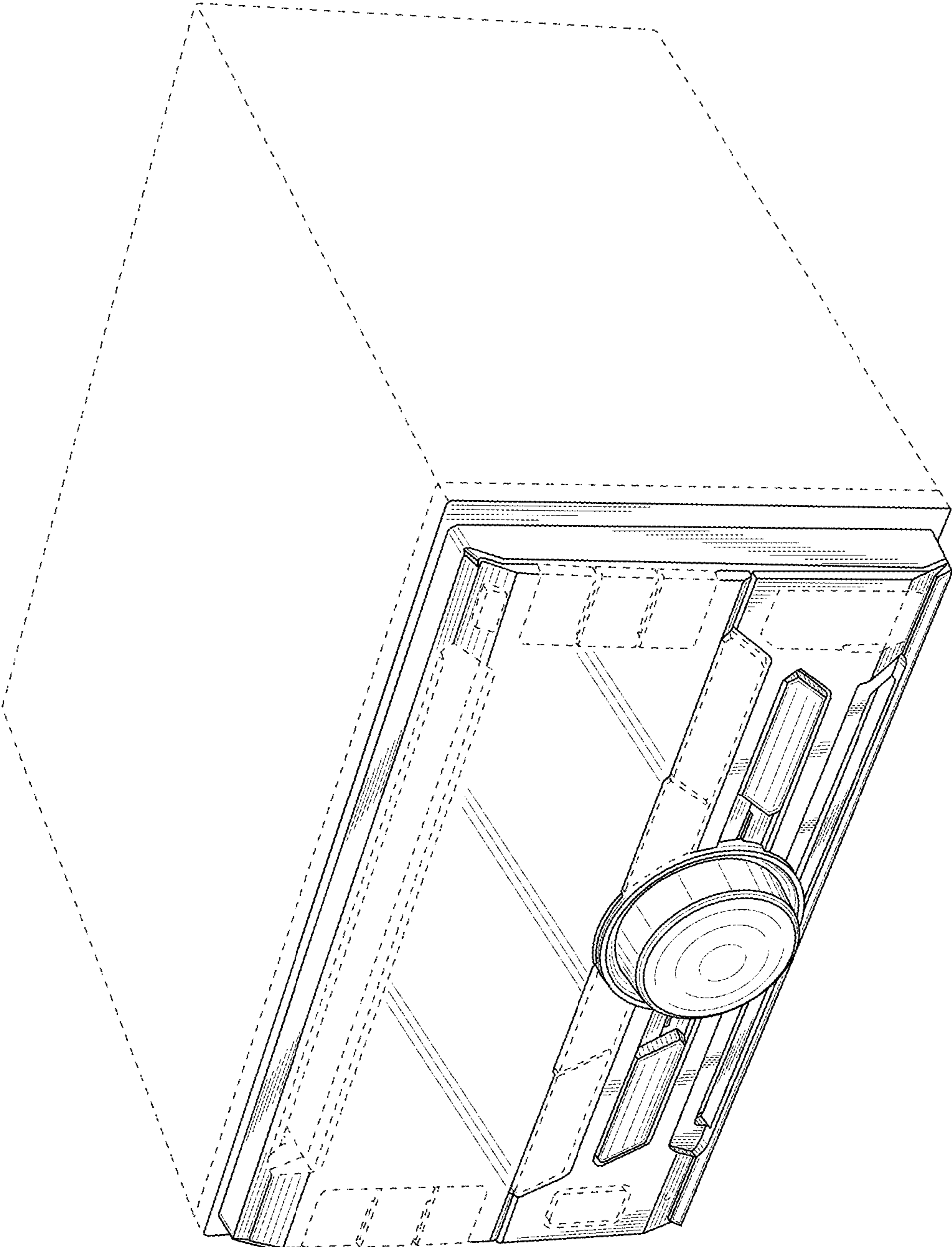


FIG. 2

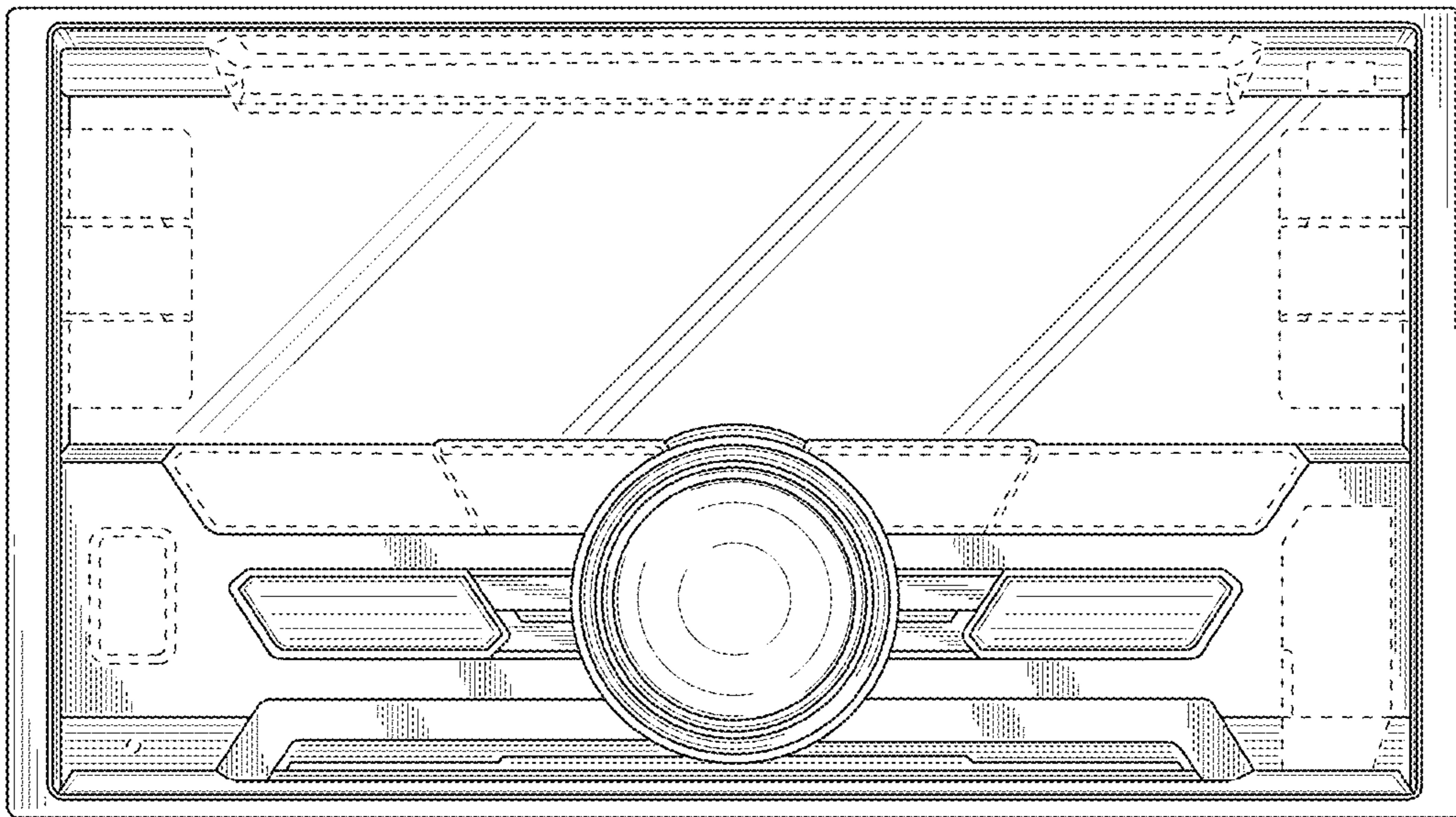


FIG. 3

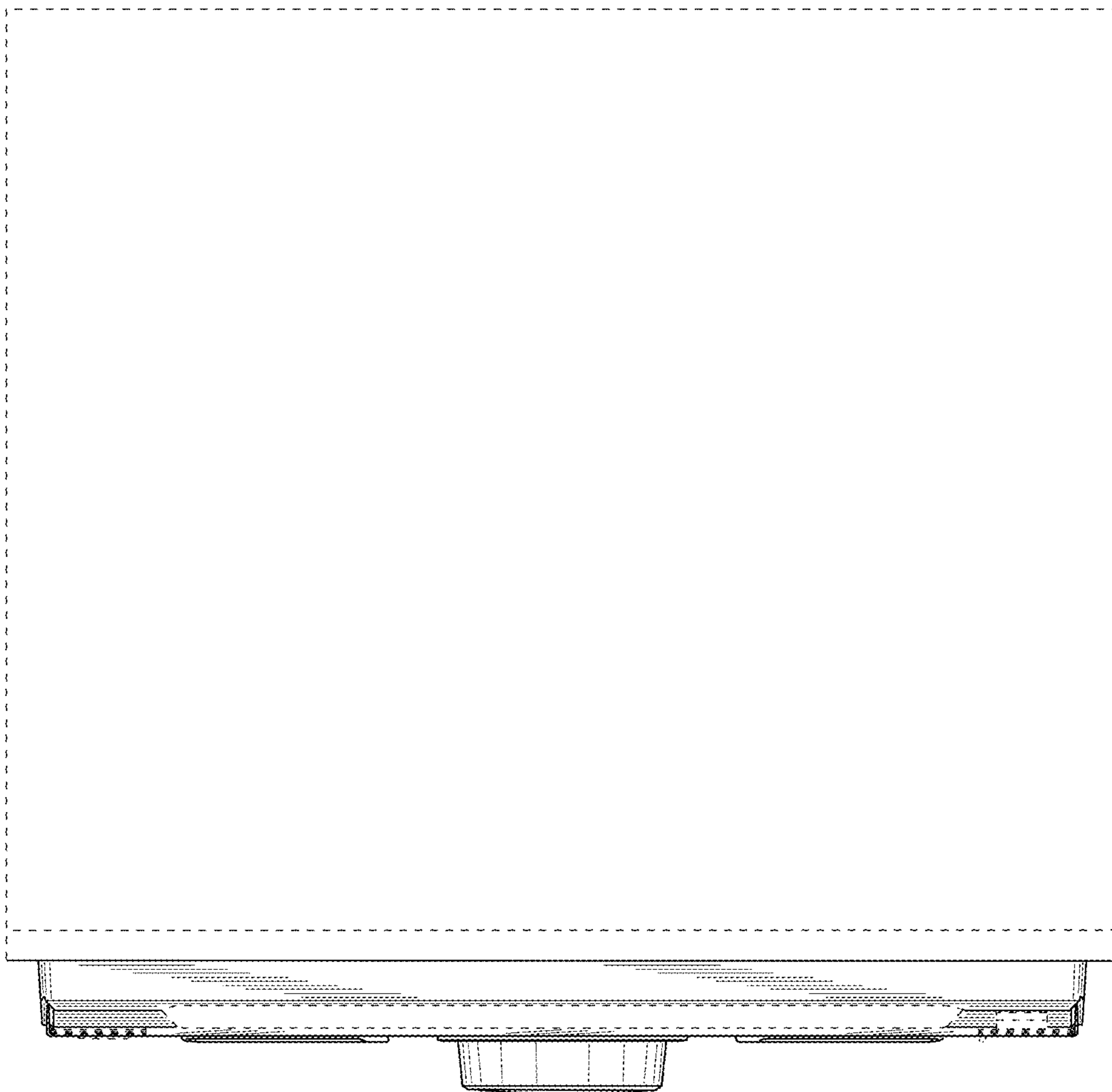


FIG. 4

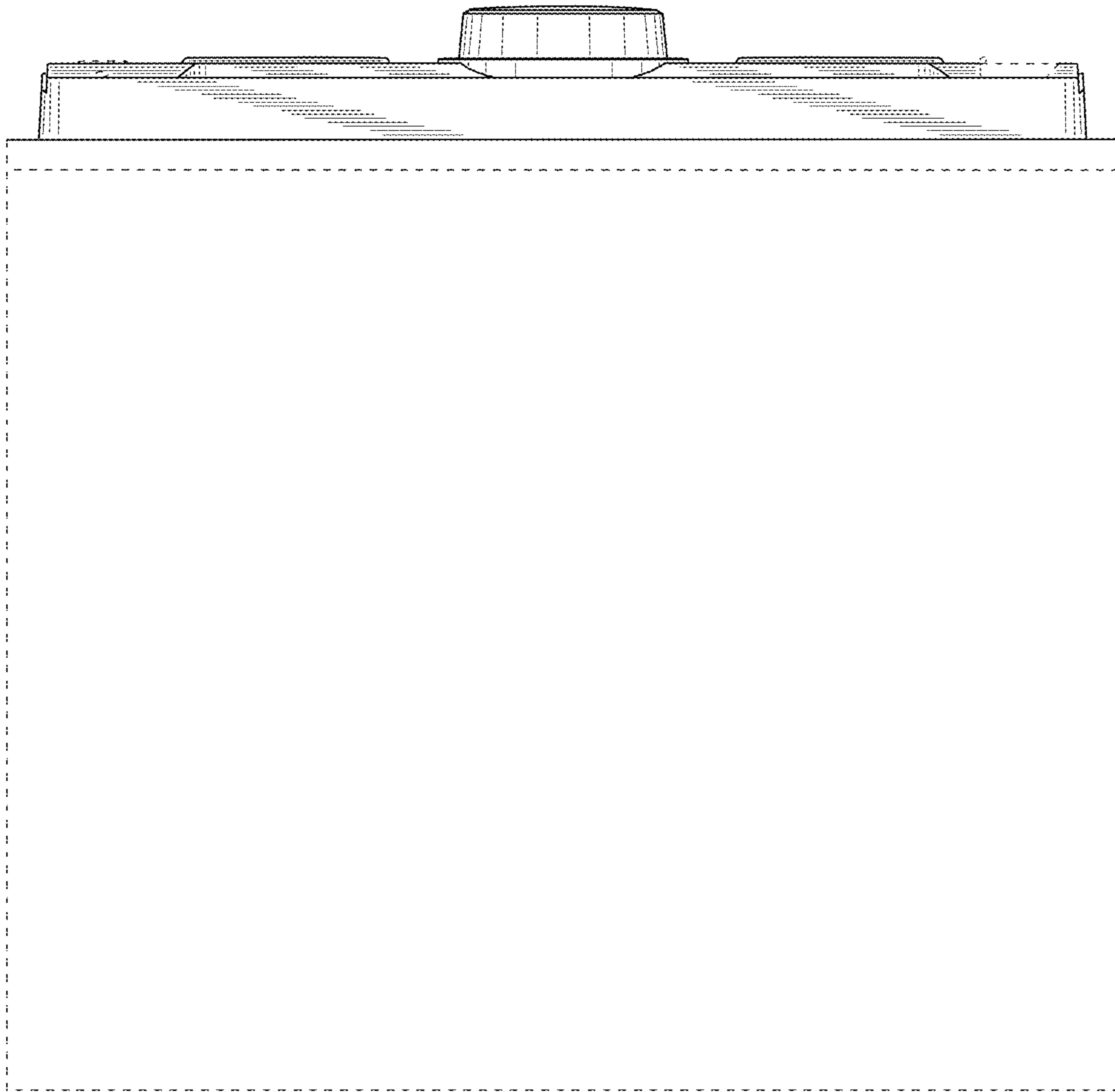


FIG. 5

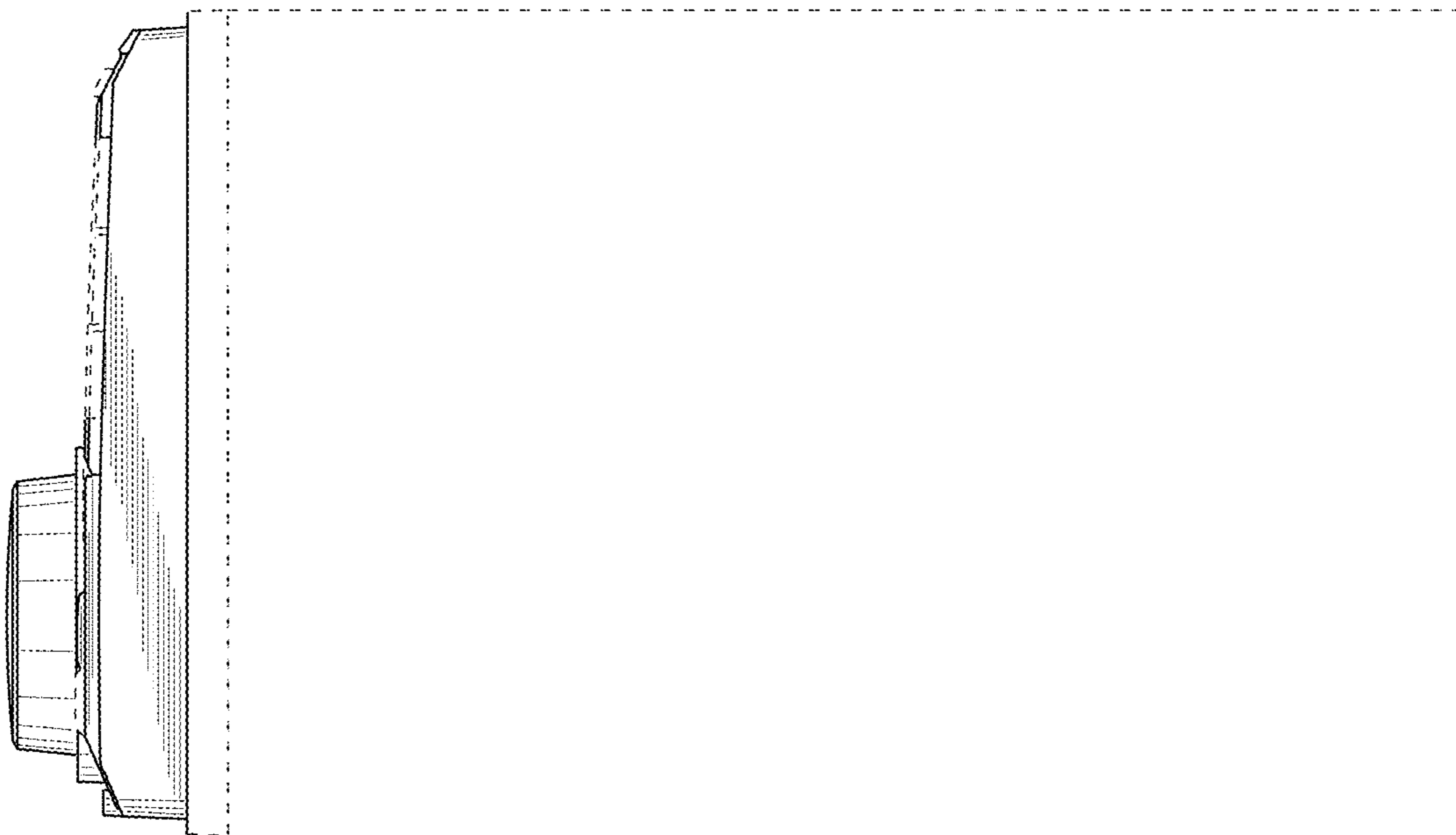


FIG. 6

