



US00D775119S

(12) **United States Design Patent**
Kimura

(10) **Patent No.:** **US D775,119 S**

(45) **Date of Patent:** **** Dec. 27, 2016**

(54) **DIGITAL AUDIO DISC PLAYER FOR
AUTOMOBILE**

(71) Applicant: **JVC KENWOOD Corporation,**
Yokohama-shi, Kanagawa (JP)

(72) Inventor: **Hideyuki Kimura,** Yokohama (JP)

(73) Assignee: **JVC KENWOOD CORPORATION,**
Kanagawa (JP)

(**) Term: **15 Years**

(21) Appl. No.: **29/539,902**

(22) Filed: **Sep. 18, 2015**

(30) **Foreign Application Priority Data**

Apr. 10, 2015 (JP) D2015-008177

(51) **LOC (10) Cl.** **14-03**

(52) **U.S. Cl.**
USPC **D14/258**

(58) **Field of Classification Search**
USPC D12/192, 195, 415, 420; D14/496,
D14/498-506, 154, 157, 168-171,
D14/188-198, 218, 257-258; 248/27.1,
248/27.3, 558; 455/347, 350
CPC B60R 11/02; B60K 37/04; B60K 37/06;
H04B 1/08; H04B 1/082
See application file for complete search history.

(56) **References Cited**

U.S. PATENT DOCUMENTS

D496,930 S * 10/2004 Yoshihara D14/258
D561,164 S * 2/2008 Muto D14/157

D565,043 S * 3/2008 Shiono D14/258
D645,464 S * 9/2011 Kimura D14/257
D671,906 S * 12/2012 Kimura D14/157
D672,331 S * 12/2012 Kanou D14/157
D680,094 S * 4/2013 Kanou D14/157
D704,694 S * 5/2014 Takahashi D14/258
D704,696 S * 5/2014 Kimura D14/258
D704,698 S * 5/2014 Morikawa D14/258
D722,585 S * 2/2015 Suzuki D14/157
D722,993 S * 2/2015 Harada D14/157

* cited by examiner

Primary Examiner — Sandra Morris

(74) *Attorney, Agent, or Firm* — Cantor Colburn LLP

(57) **CLAIM**

The ornamental design for a digital audio disc player for automobile, as shown and described.

DESCRIPTION

FIG. 1 is a perspective view of an embodiment of a digital audio disc player for automobile.
FIG. 2 is a front view of the embodiment of FIG. 1.
FIG. 3 is a rear view of the embodiment of FIG. 1.
FIG. 4 is a top view of the embodiment of FIG. 1.
FIG. 5 is a bottom view of the embodiment of FIG. 1.
FIG. 6 is a right side view of the embodiment of FIG. 1; and,
FIG. 7 is a left side view of the embodiment of FIG. 1.
The broken lines in the drawings are for the purpose of illustrating portions of the digital audio disc player for automobile that form no part of the claimed design.

1 Claim, 7 Drawing Sheets

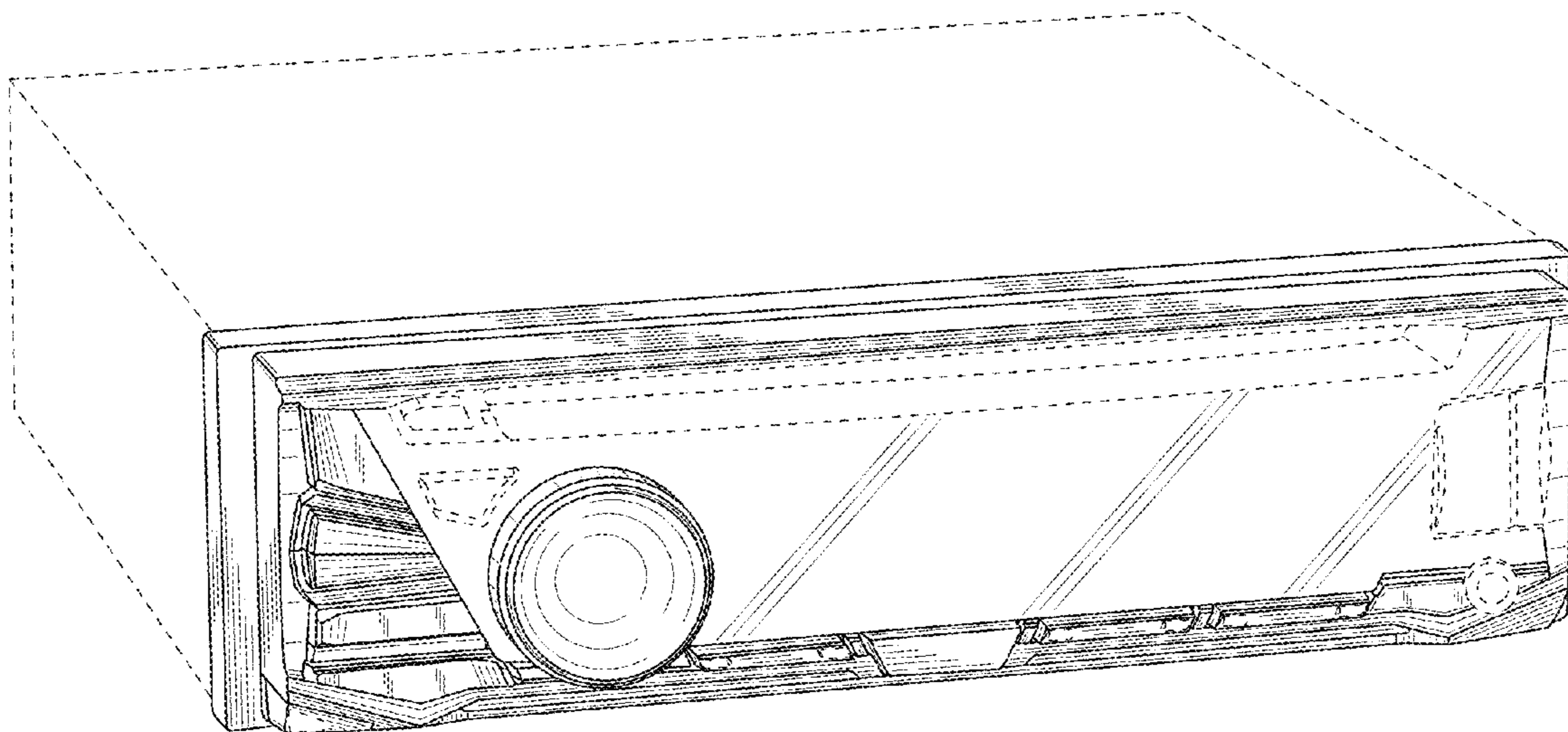


FIG. 1

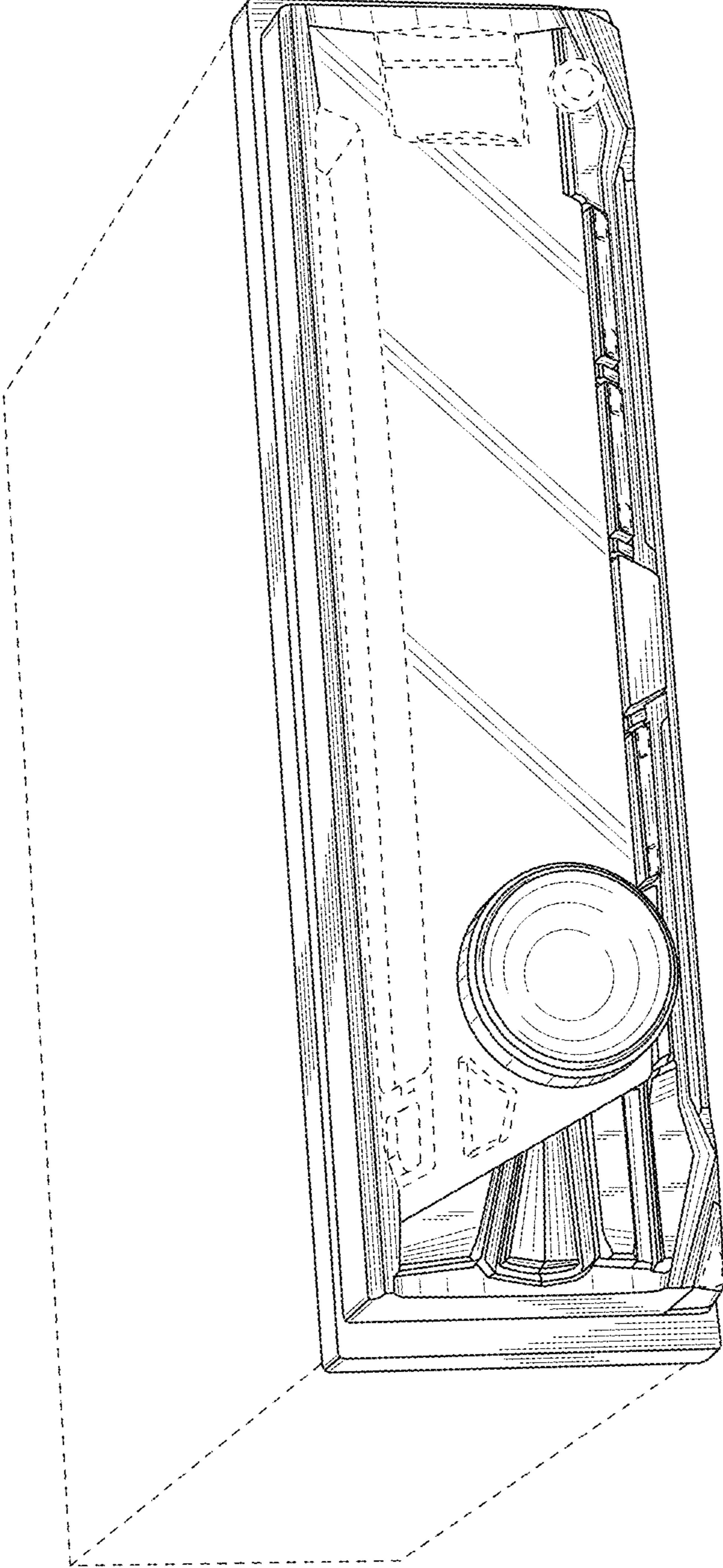


FIG. 2

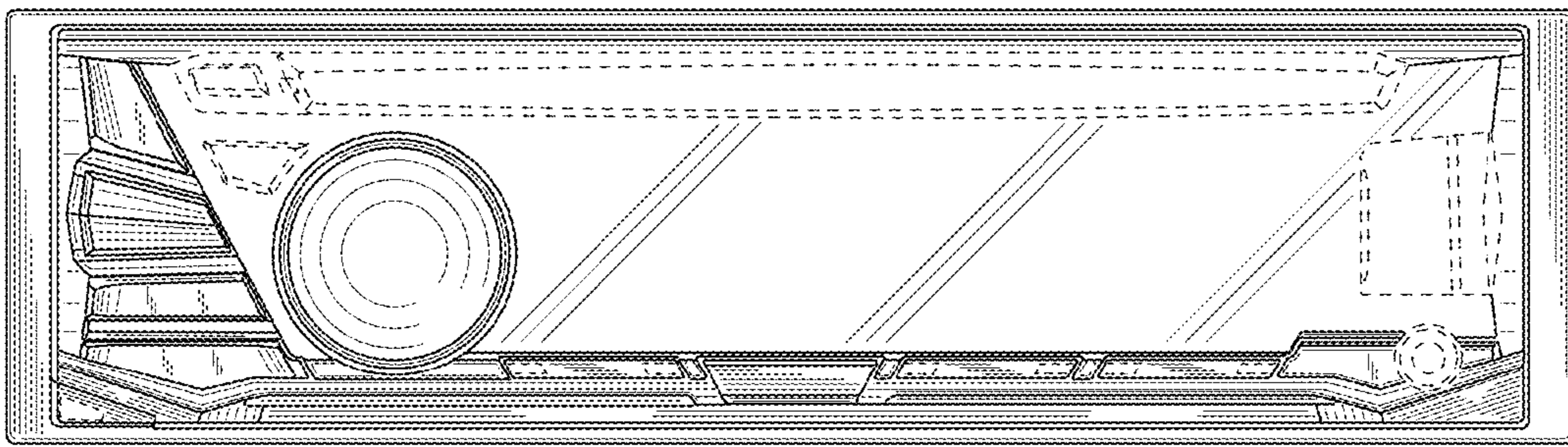


FIG. 3



FIG. 4

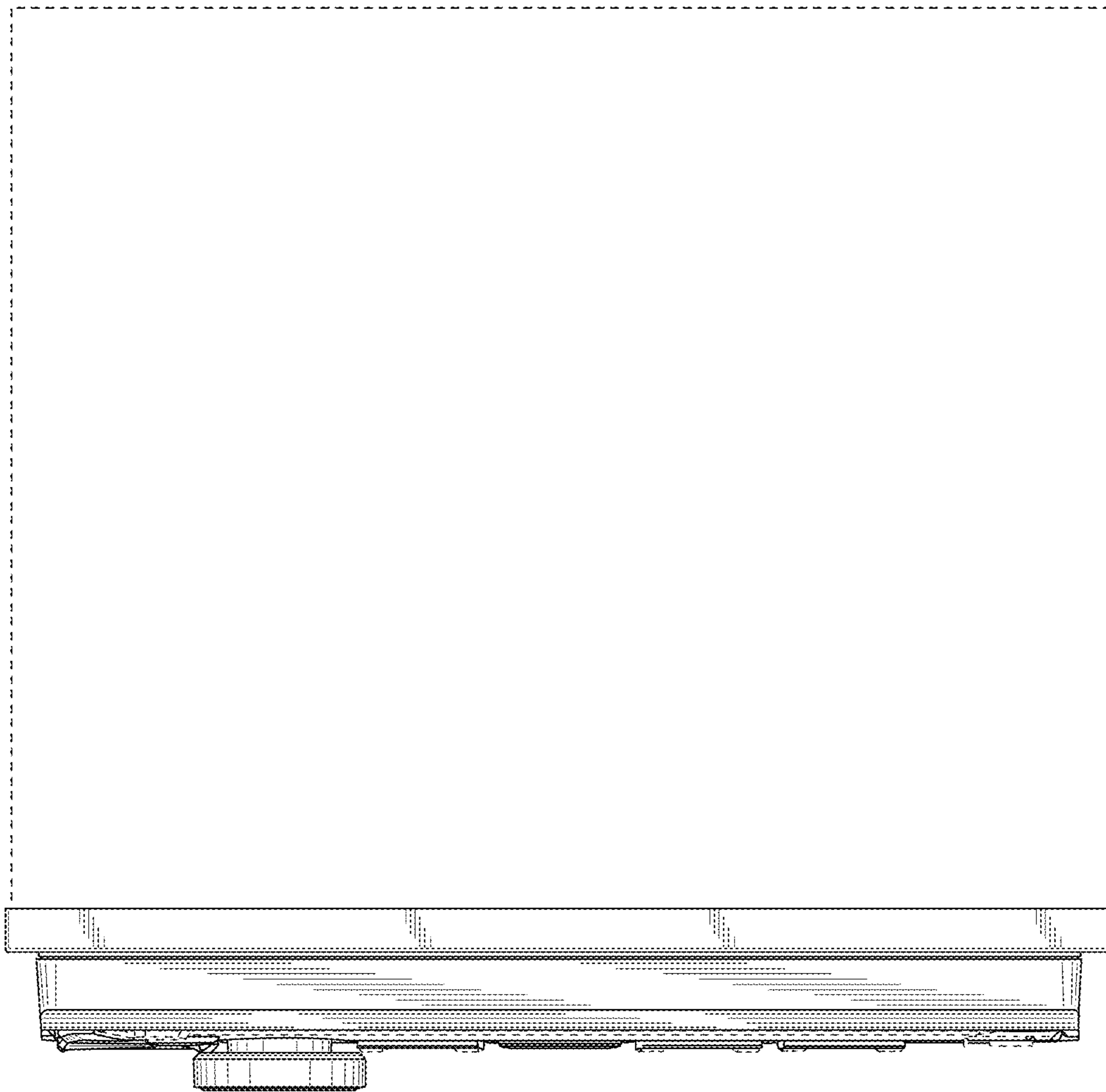


FIG. 5

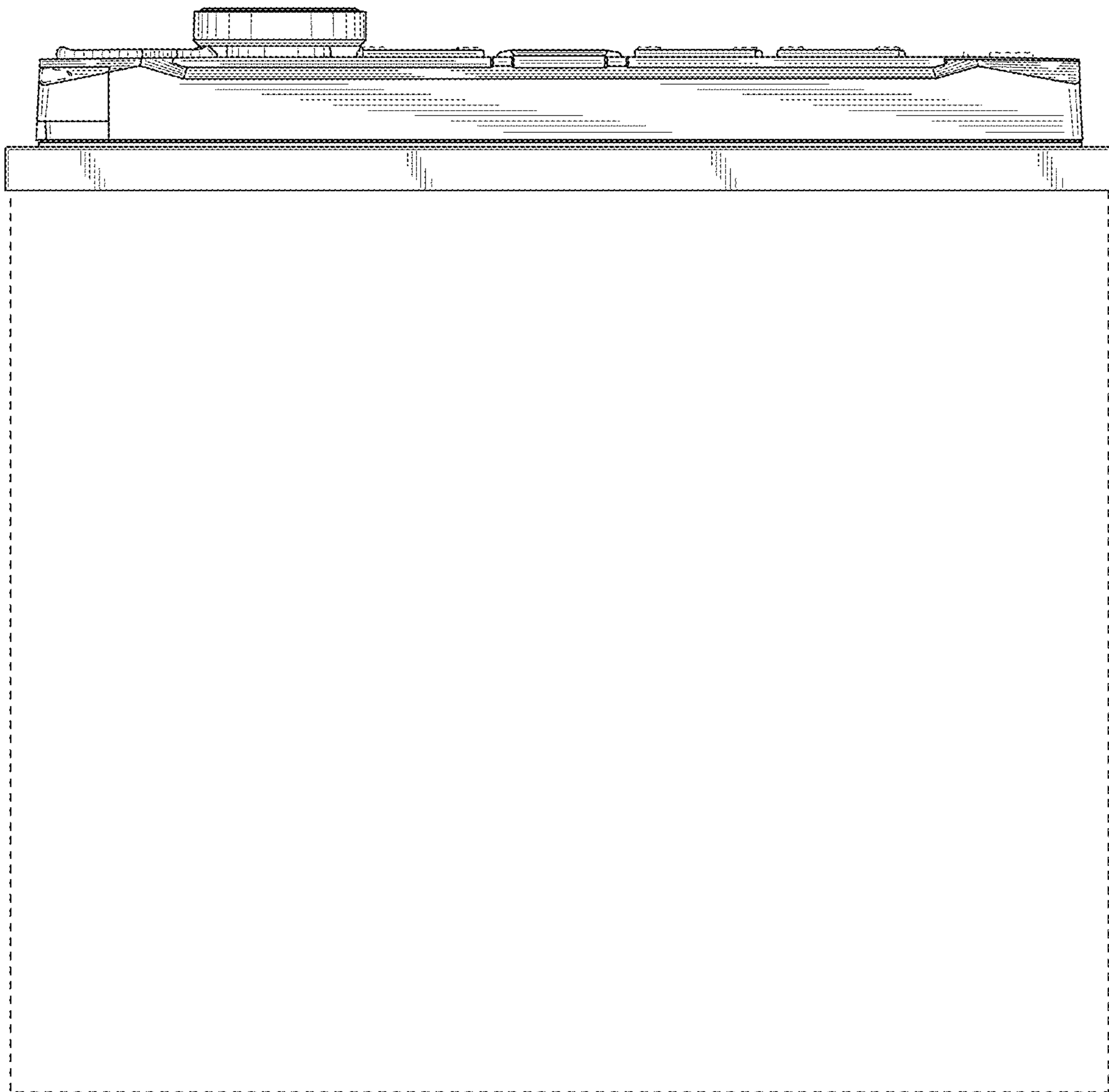


FIG. 6



FIG. 7

