



US00D775116S

(12) **United States Design Patent**  
**Abrahams**

(10) **Patent No.:** **US D775,116 S**

(45) **Date of Patent:** **\*\* Dec. 27, 2016**

(54) **STAND FOR ELECTRONIC DEVICES**

(71) Applicant: **James Abrahams**, London (GB)

(72) Inventor: **James Abrahams**, London (GB)

(\*\*) Term: **15 Years**

(21) Appl. No.: **29/529,515**

(22) Filed: **Jun. 8, 2015**

(51) **LOC (10) Cl.** ..... **14-03**

(52) **U.S. Cl.**  
USPC ..... **D14/253**

(58) **Field of Classification Search**

USPC ..... D3/218; D6/406.3, 406.4, 406.5, 406.6;  
D14/250-251, 253, 432, 434, 439-440,  
D14/447, 451-452, 457  
CPC ..... A45C 2011/003; A45C 2011/002;  
A45C 13/002; A47B 2021/0307; A47B  
2023/005; A47B 2023/049; A47B  
2097/005; A47B 2097/006; A47B 21/04;  
A47B 23/00; A47B 23/043; F16M  
2200/00; H04B 1/3888; H04M  
1/04; H04M 1/185

See application file for complete search history.

(56) **References Cited**

U.S. PATENT DOCUMENTS

D309,307 S \* 7/1990 Sigurdson ..... 381/86  
D321,351 S \* 11/1991 Kirchner ..... D14/138 R

D610,437 S \* 2/2010 Bremmon ..... D8/373  
D670,284 S \* 11/2012 Choi ..... D14/253  
D723,536 S \* 3/2015 Werth ..... D14/253  
D731,474 S \* 6/2015 Leibenhaut ..... D14/253  
D748,640 S \* 2/2016 Hart ..... D14/451  
2013/0176412 A1\* 7/2013 Chen ..... H04N 7/183  
348/77  
2016/0252799 A1\* 9/2016 Li ..... G03B 17/561

\* cited by examiner

*Primary Examiner* — Philip S Hyder

*Assistant Examiner* — Cary M Robinson

(74) *Attorney, Agent, or Firm* — King & Schickli, PLLC

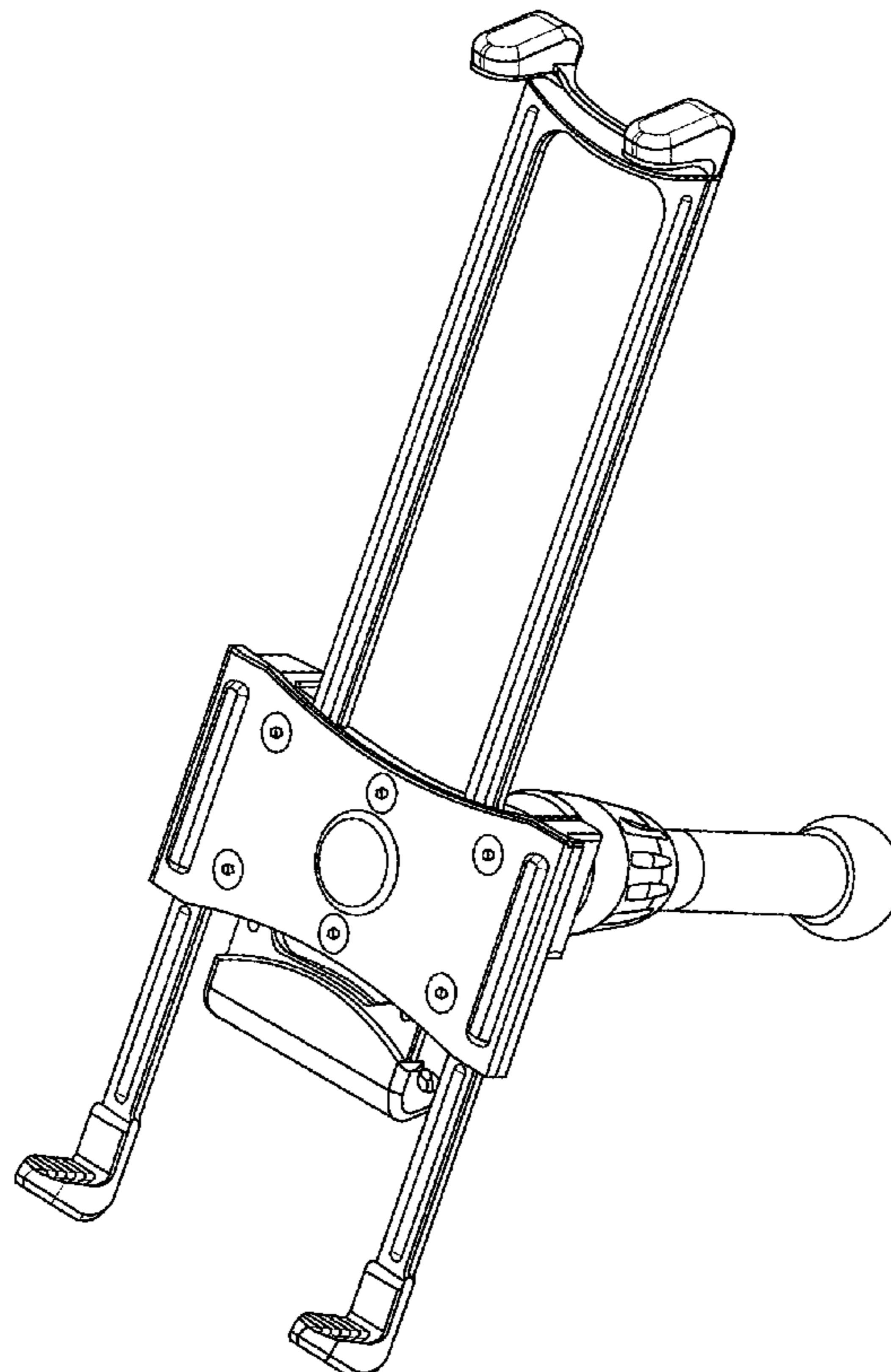
(57) **CLAIM**

The ornamental design for a stand for electronic devices, as shown and described.

**DESCRIPTION**

FIG. 1 is a rear perspective view of the stand;  
FIG. 2 is a right side view of the stand;  
FIG. 3 is a front view of the stand;  
FIG. 4 is a front perspective view of the stand;  
FIG. 5 is a left side view of the stand; and,  
FIG. 6 is a rear view of the stand.

**1 Claim, 6 Drawing Sheets**



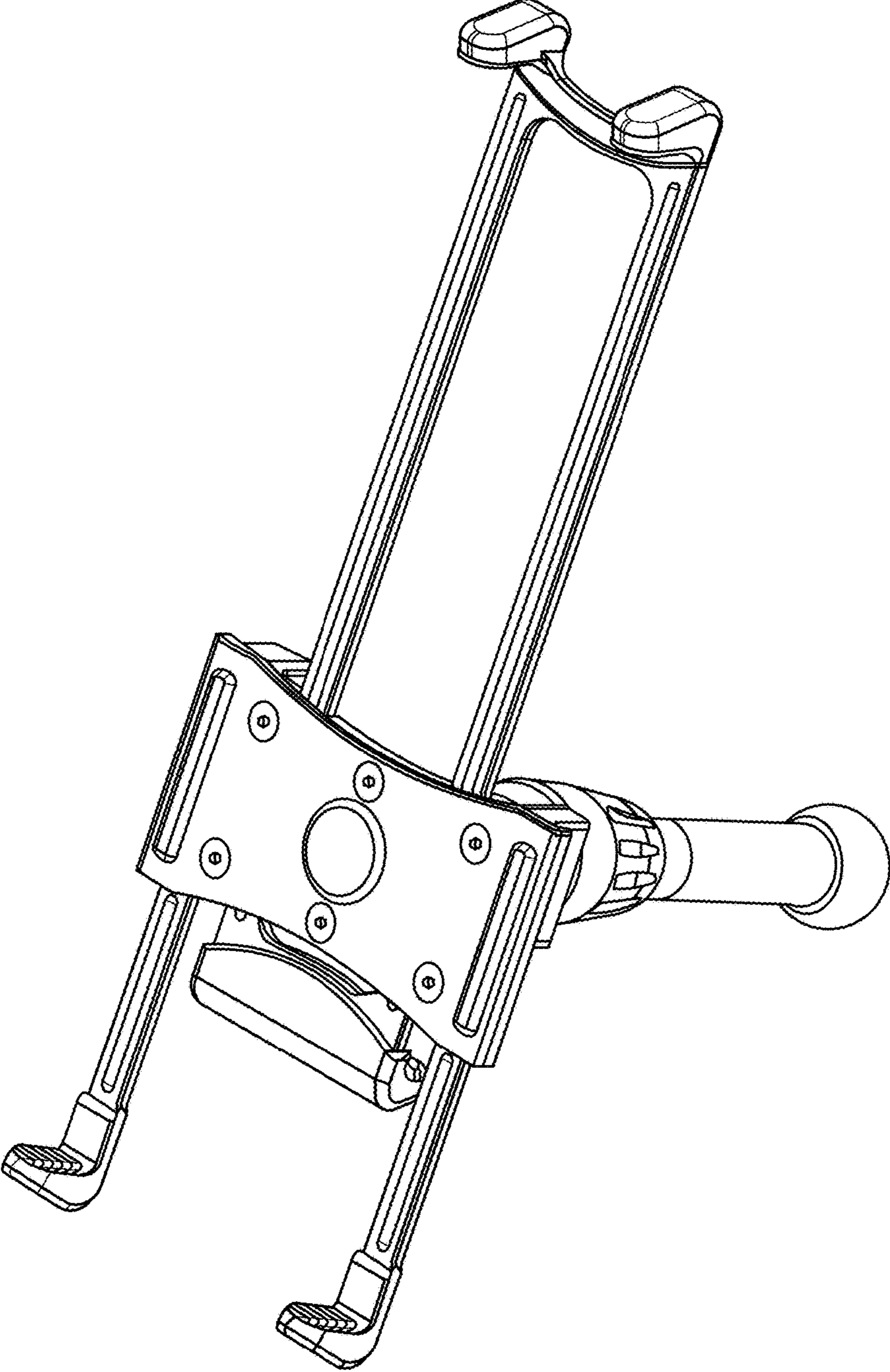


FIG. 1

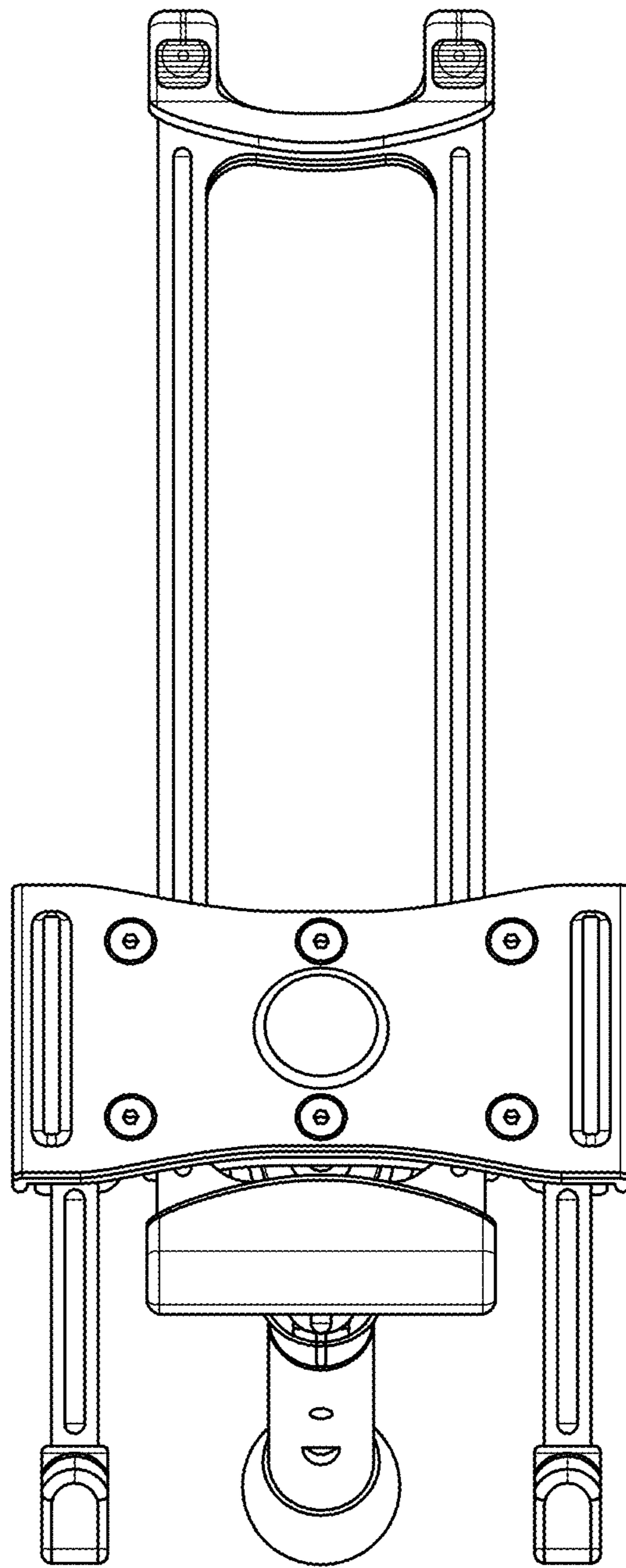


FIG. 2

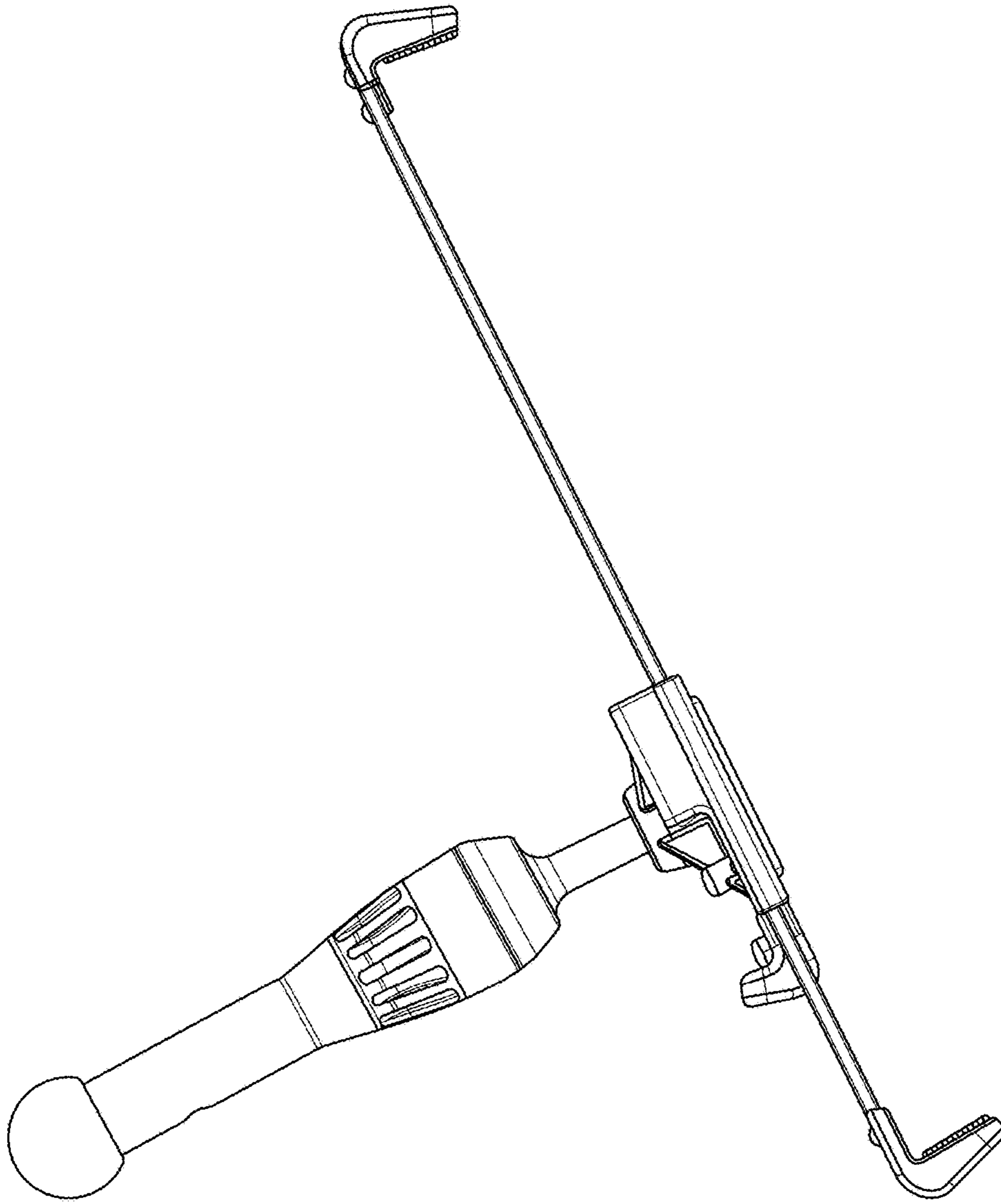


FIG. 3

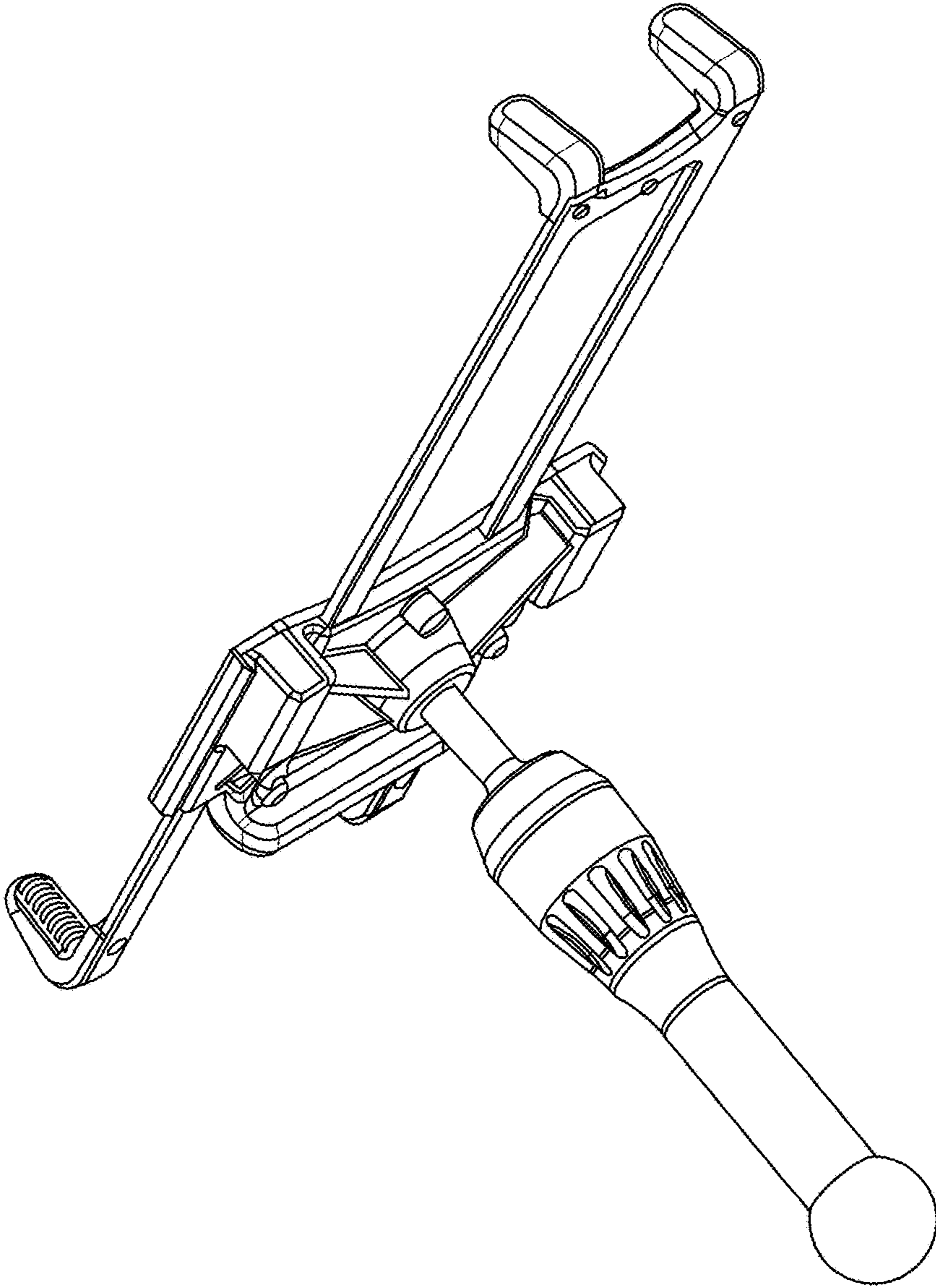


FIG. 4

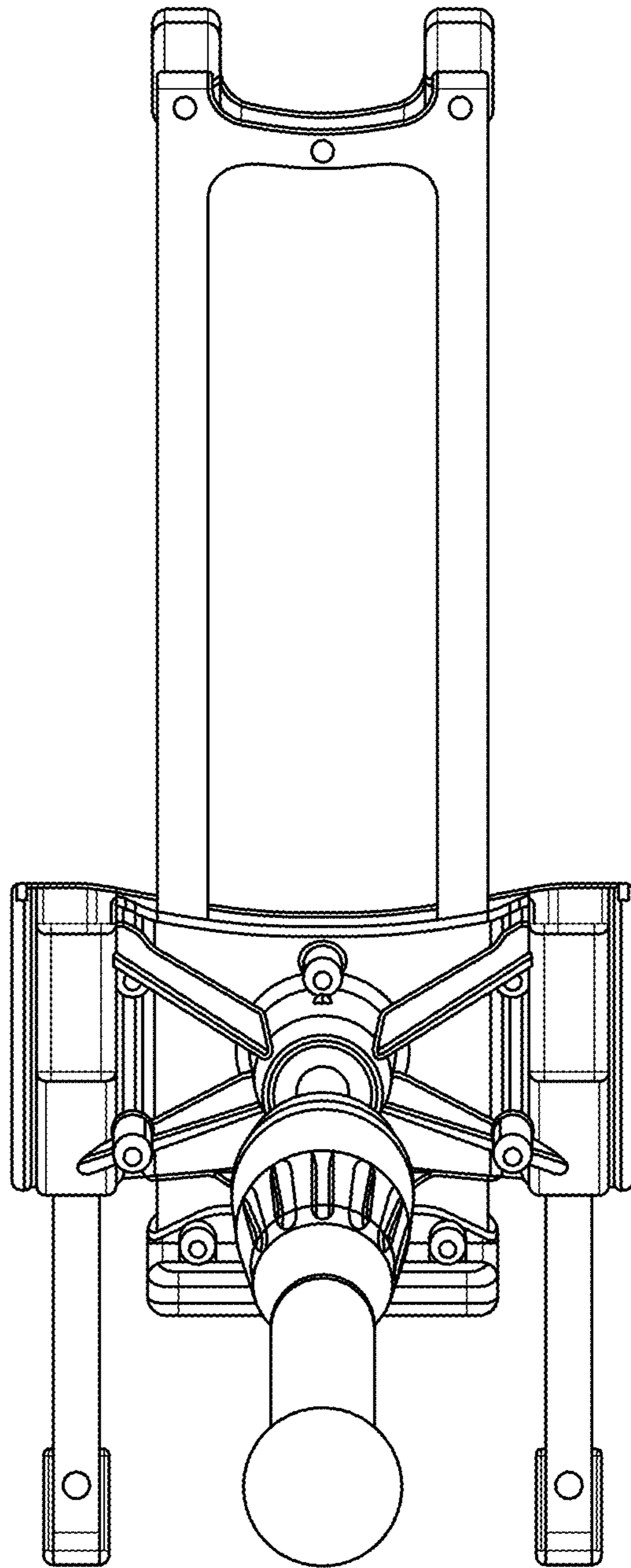


FIG. 5

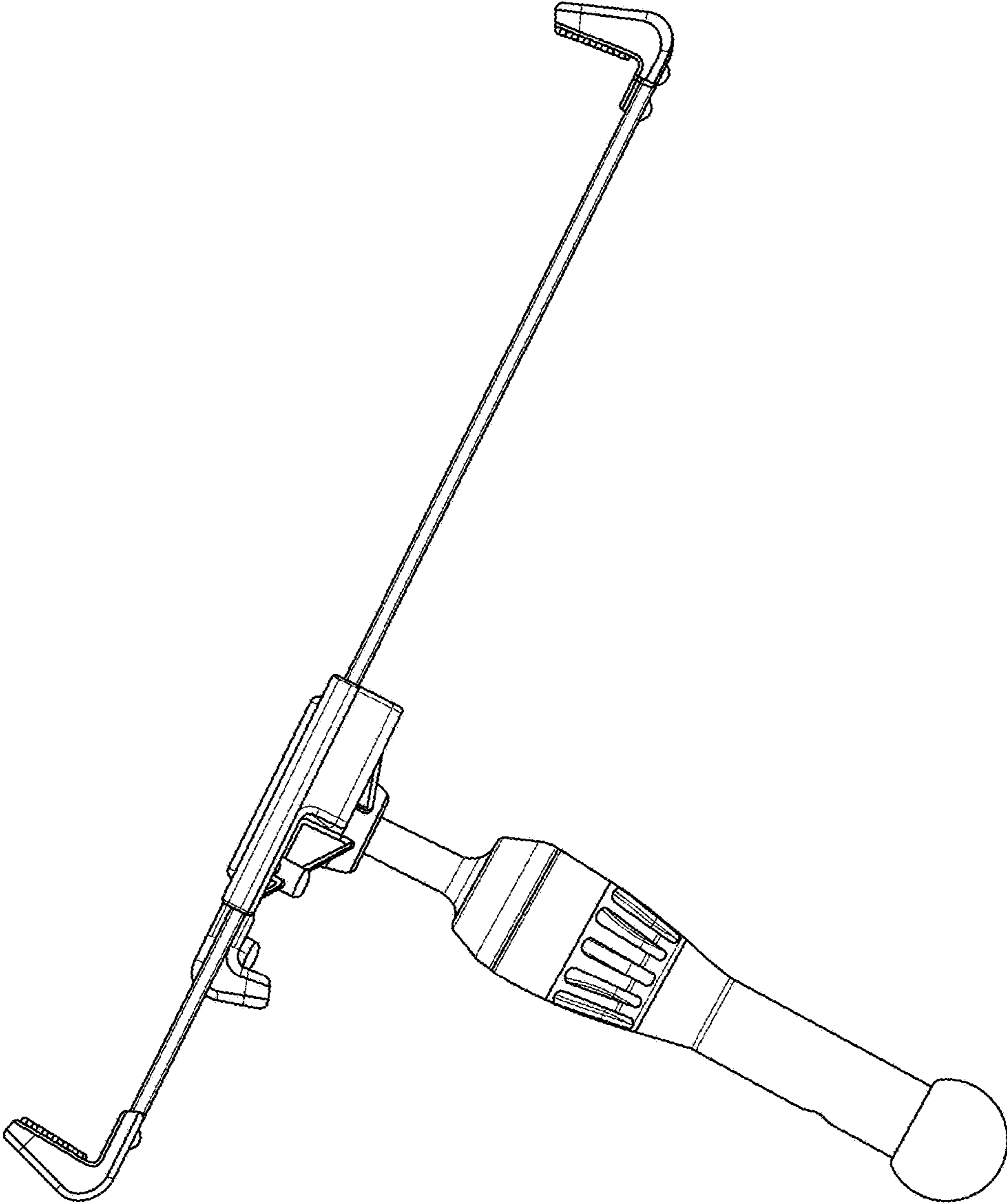


FIG. 6