



US00D775113S

(12) **United States Design Patent**
Lim et al.

(10) **Patent No.:** **US D775,113 S**

(45) **Date of Patent:** **** Dec. 27, 2016**

(54) **MOBILE PHONE CASE**

(71) Applicant: **LG ELECTRONICS INC.**, Seoul (KR)

(72) Inventors: **Hwitae Lim**, Seoul (KR); **Hyejin Kim**, Seoul (KR); **Hyunwoo Kim**, Seoul (KR); **Youngho Kim**, Seoul (KR)

(73) Assignee: **LG ELECTRONICS INC.**, Seoul (KR)

(**) Term: **15 Years**

(21) Appl. No.: **29/529,920**

(22) Filed: **Jun. 11, 2015**

(30) **Foreign Application Priority Data**

Dec. 12, 2014 (KR) 30-2014-0060839

(51) **LOC (10) Cl.** **14-03**

(52) **U.S. Cl.**
USPC **D14/250**

(58) **Field of Classification Search**
USPC D14/238.1, 248, 250, 440, 203.3–203.7, D14/217, 240, 251–253, 447, 496; D3/201, 218, 247, 269, 273, 301, 303; D13/103, 107–108, 119
CPC A45C 1/06; A45C 11/00; A45C 13/02; A45C 2011/002; A45F 2005/026; A45F 2200/0525; A45F 2200/0516; H04B 1/3888; H04M 1/0283; H04M 1/0202
See application file for complete search history.

(56) **References Cited**

U.S. PATENT DOCUMENTS

D540,539 S * 4/2007 Gutierrez D14/484.1
D547,057 S * 7/2007 Griffin D3/218
D551,856 S * 10/2007 Ko D3/201
D641,348 S * 7/2011 Kim D14/250
D668,458 S * 10/2012 Lee D3/303

D705,207 S * 5/2014 Kim D14/250
D710,838 S * 8/2014 Song D14/250
D721,693 S * 1/2015 Lee D14/250
D721,694 S * 1/2015 Lee D14/250
D725,643 S * 3/2015 Lee D14/250
D730,342 S * 5/2015 Kim D14/250
D747,305 S * 1/2016 Choe D14/250
D748,086 S * 1/2016 Choe D14/250
D749,067 S * 2/2016 Choe D14/250
D750,608 S * 3/2016 Kim D14/250
D751,539 S * 3/2016 Ahn D14/250
2008/0053851 A1 * 3/2008 Ko A45C 11/00
206/320
2008/0053852 A1 * 3/2008 Ko A45C 11/00
206/320
2008/0251512 A1 * 10/2008 Griffin A45C 11/00
220/4.02
2015/0155903 A1 * 6/2015 Jang H04B 1/3888
455/575.8

* cited by examiner

Primary Examiner — Carla Jobe Wright

(74) *Attorney, Agent, or Firm* — Birch, Stewart, Kolasch & Birch, LLP

(57) **CLAIM**

The ornamental design for a mobile phone case, as shown and described.

DESCRIPTION

FIG. 1 is a perspective view of the interior of a mobile phone case in an open configuration showing our new design; FIG. 2 is an elevation view of the interior thereof; FIG. 3 is an elevation view of the exterior thereof; FIG. 4 is a left-side elevation view thereof; FIG. 5 is a right-side elevation view thereof; FIG. 6 is a top plan view thereof; FIG. 7 is a bottom plan view thereof; and, FIG. 8 is a front perspective view thereof in a closed configuration.

The broken lines depict environmental subject matter that forms no part of the claimed design.

1 Claim, 7 Drawing Sheets

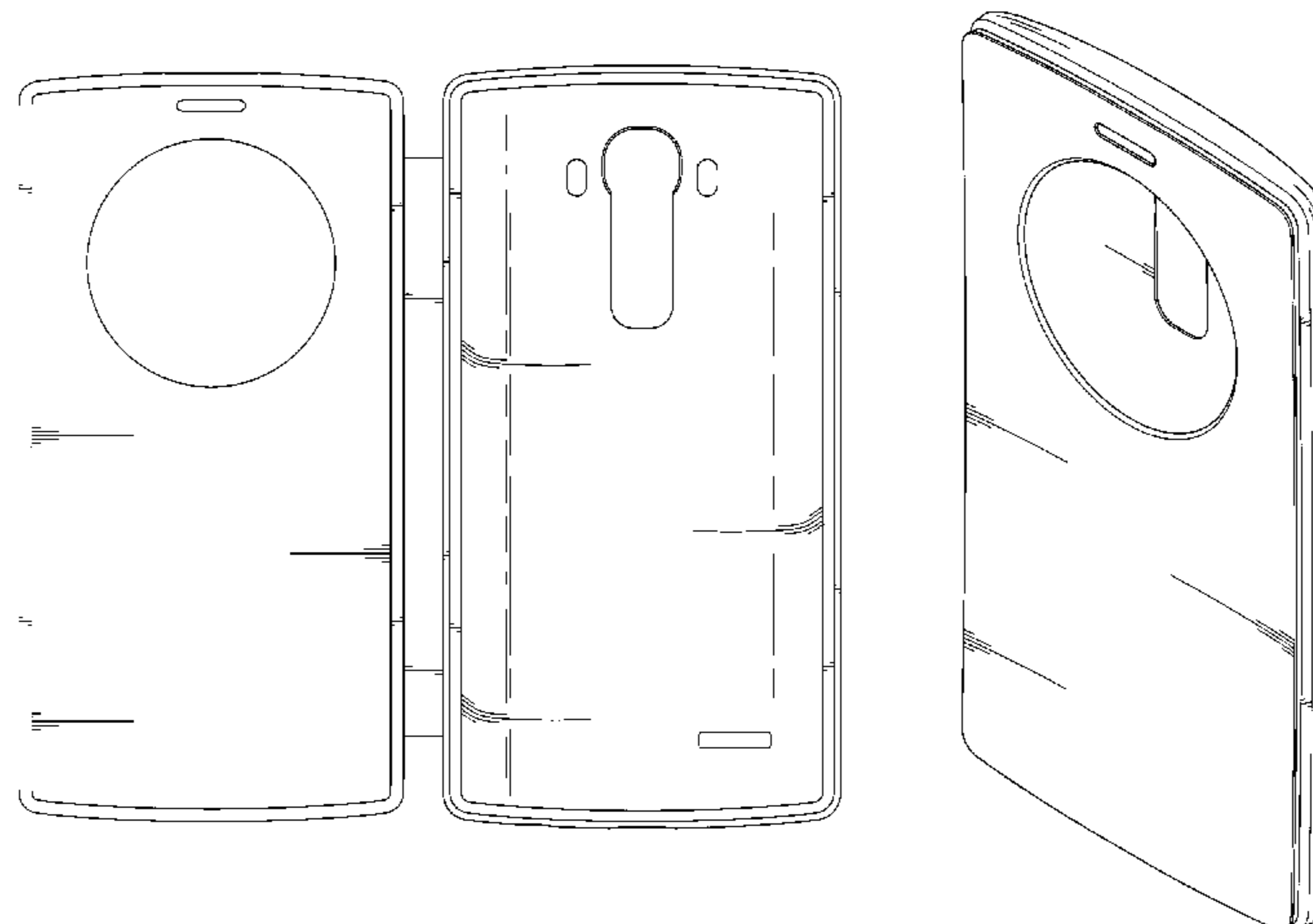


FIG. 1

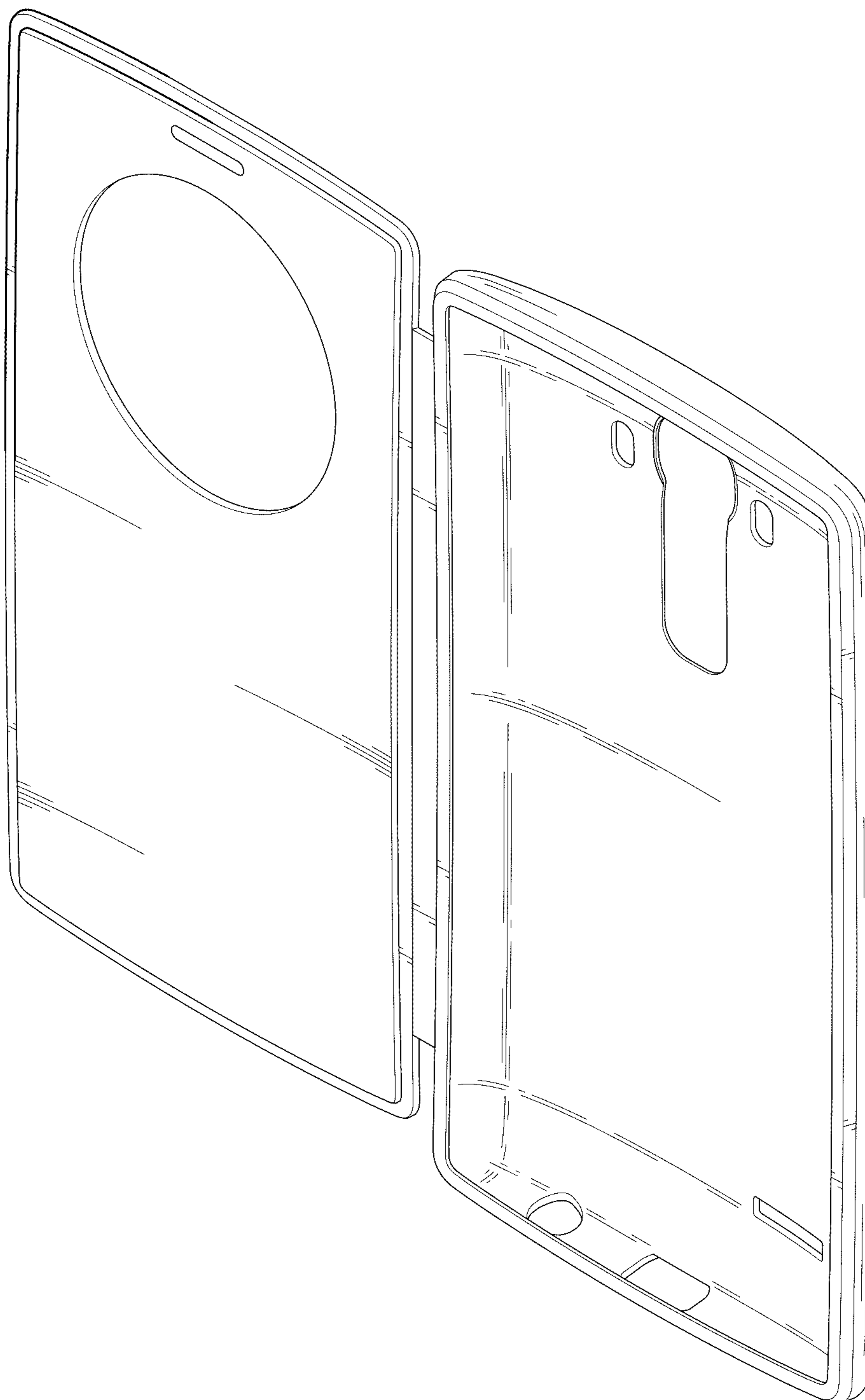


FIG. 2

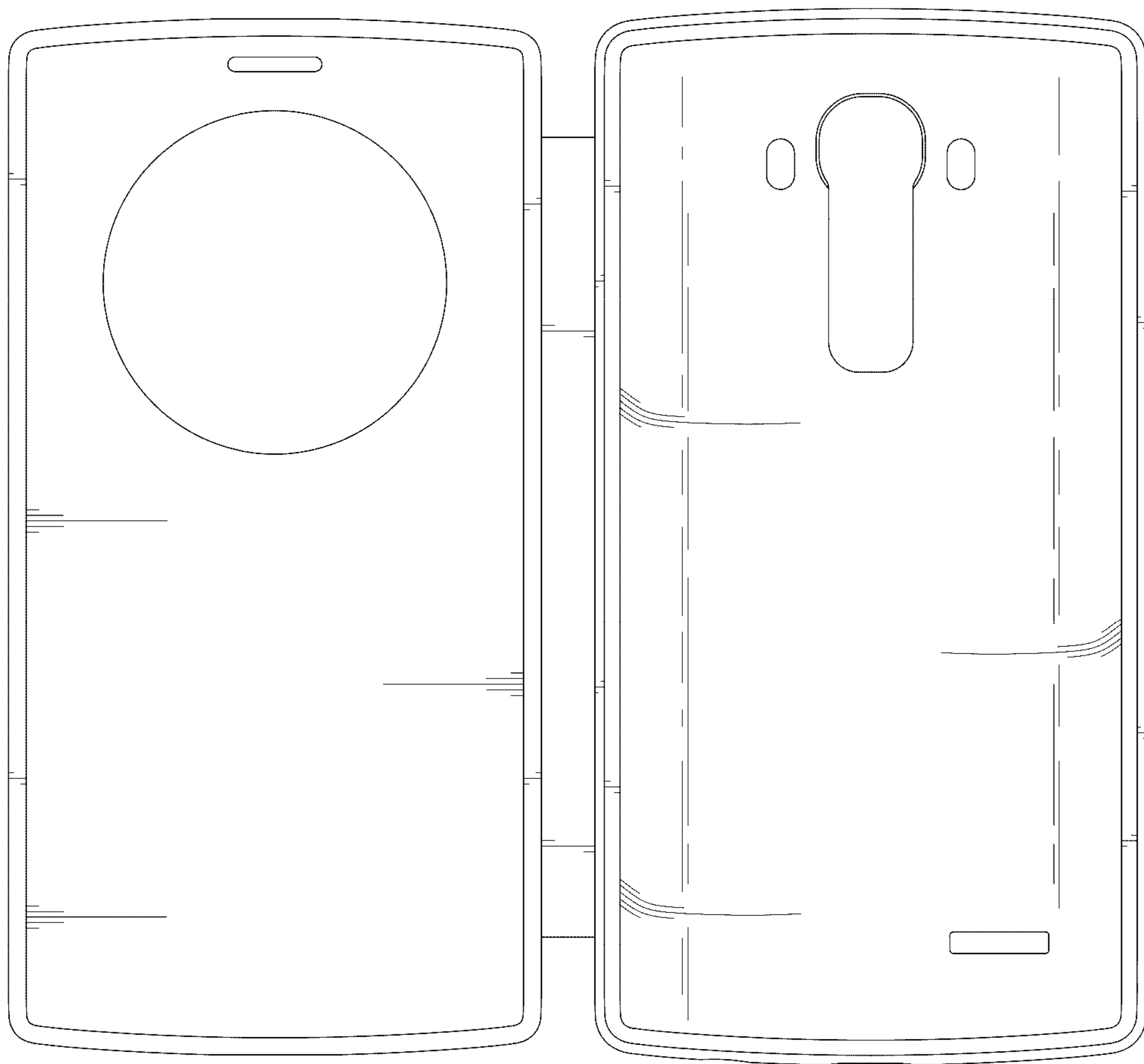


FIG. 3

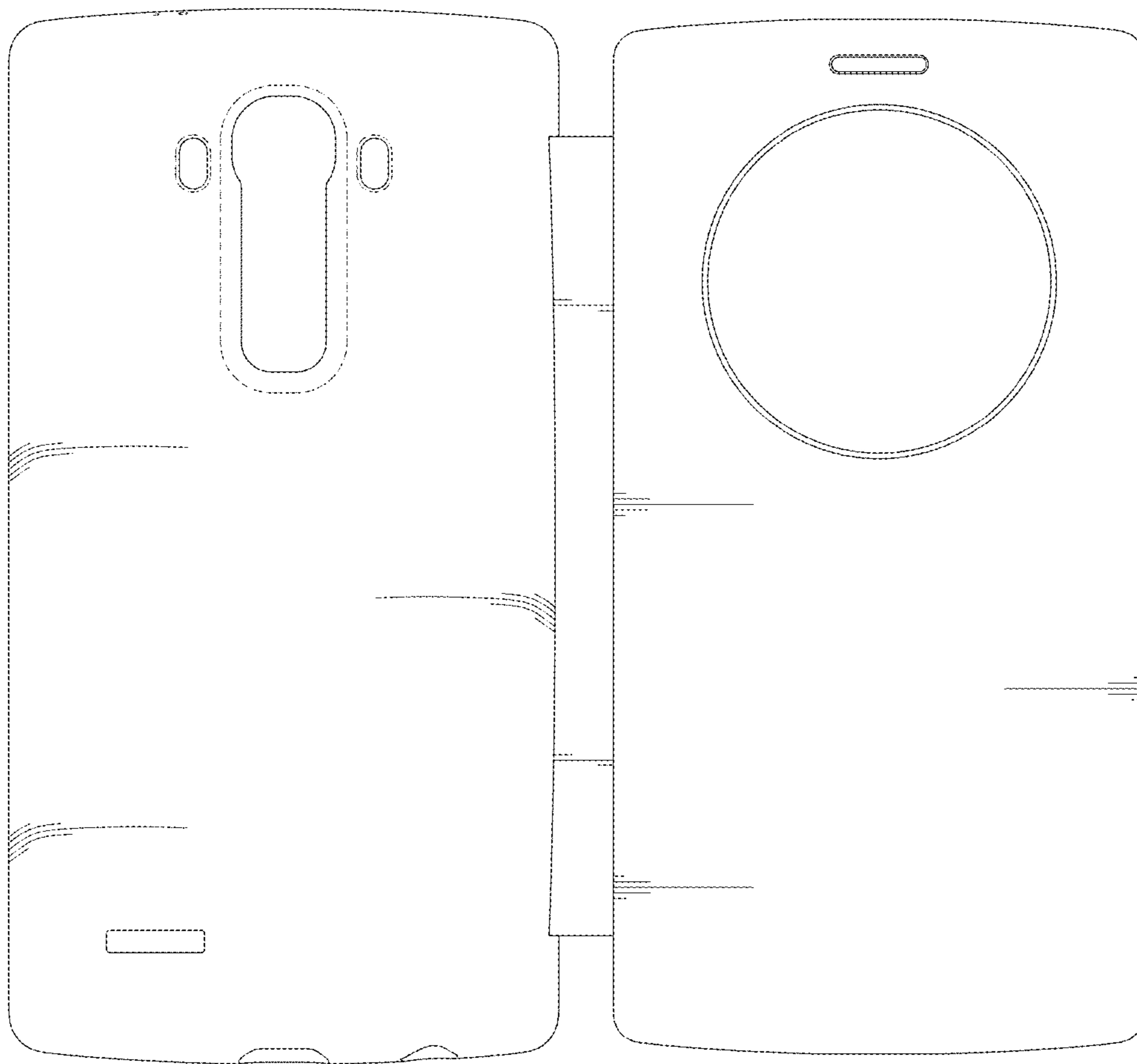


FIG. 4

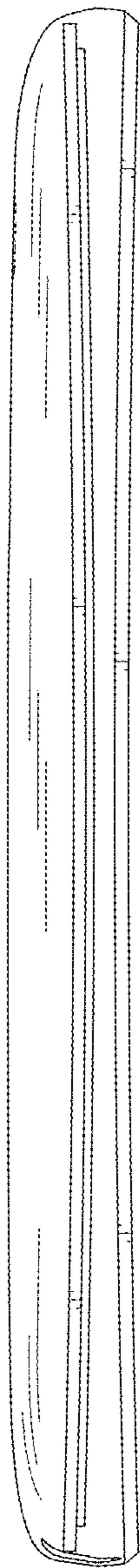


FIG. 5

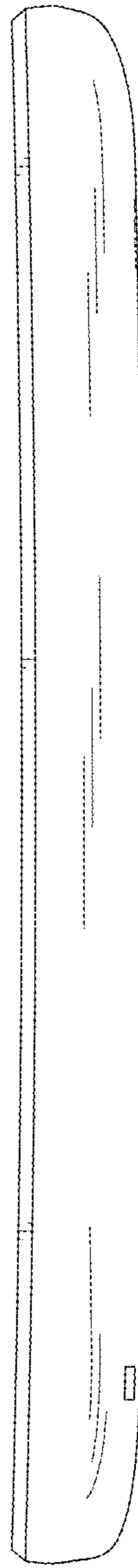


FIG. 6

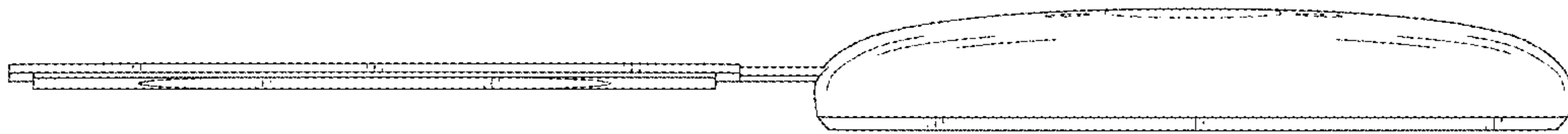


FIG. 7

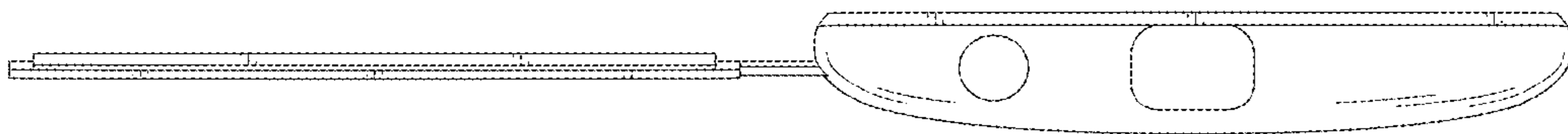


FIG. 8

