



US00D775112S

(12) **United States Design Patent** (10) **Patent No.:** **US D775,112 S**
Hemesath et al. (45) **Date of Patent:** **** Dec. 27, 2016**

(54) **CASE**

(71) Applicant: **Incipio, LLC**, Irvine, CA (US)

(72) Inventors: **Timothy Alan Hemesath**, Clovis, CA (US); **Derek Bryan Veldkamp**, Huntington Beach, CA (US)

(73) Assignee: **Incipio, LLC**, Irvine, CA (US)

(**) Term: **15 Years**

(21) Appl. No.: **29/527,907**

(22) Filed: **May 22, 2015**

Related U.S. Application Data

(63) Continuation of application No. 29/504,979, filed on Oct. 10, 2014, now Pat. No. Des. 730,344, which is a continuation of application No. 29/433,226, filed on Sep. 27, 2012, now Pat. No. Des. 717,777.

(51) **LOC (10) Cl.** **14-03**

(52) **U.S. Cl.**
USPC **D14/250**

(58) **Field of Classification Search**

USPC D14/250, 341-347, 130, 138 C, 138 G, D14/138 R, 138 AA, 147, 203.1, 203.3, D14/203.7, 204.4, 218, 248
CPC A45C 1/06; A45C 11/00; A45C 2011/002; A45F 2200/0525; A45F 2200/0516; A45F 5/02; G06F 1/165; G06F 1/1613; G06F 1/1624; G06F 1/1626; G06F 3/0485; G06F 3/0488; G06F 1/1732; G06F 1/1632; H04B 1/3888; H04B 1/00; H04B 1/3883; H04M 1/0202; H04M 1/0283; H04M 1/185; H04M 1/00; H04M 1/0214; H04M 1/035; H01M 10/46; H01M 2/1022; H05K 5/0217; H05K 5/03; H05K 7/00; B29C 45/1676; H02J 7/00; H04Q 7/32; B65D 85/00; B65D 19/00; G03B 17/02

See application file for complete search history.

(56) **References Cited**

U.S. PATENT DOCUMENTS

D250,974 S 1/1979 Donley et al.
D317,255 S 6/1991 Turk
D337,435 S 7/1993 Kaneko et al.
D368,369 S 4/1996 Pease

(Continued)

OTHER PUBLICATIONS

For Love of Design, Who Wants the iPhone 5, by Rae, posted Sep. 20, 2012, <http://rachelradcliffe.com/2012/09/20/who-wants-the-iphone-5/>, retrieved from Internet on Jan. 6, 2014.

(Continued)

Primary Examiner — Freda S Nunn

(74) *Attorney, Agent, or Firm* — Manatt, Phelps & Phillips, LLP

(57) **CLAIM**

We claim the ornamental design for a case, as shown and described.

DESCRIPTION

FIG. 1 is a front perspective view of a case.

FIG. 2 is a rear perspective view thereof.

FIG. 3 is a front view thereof.

FIG. 4 is a rear view thereof.

FIG. 5 is a left side view thereof.

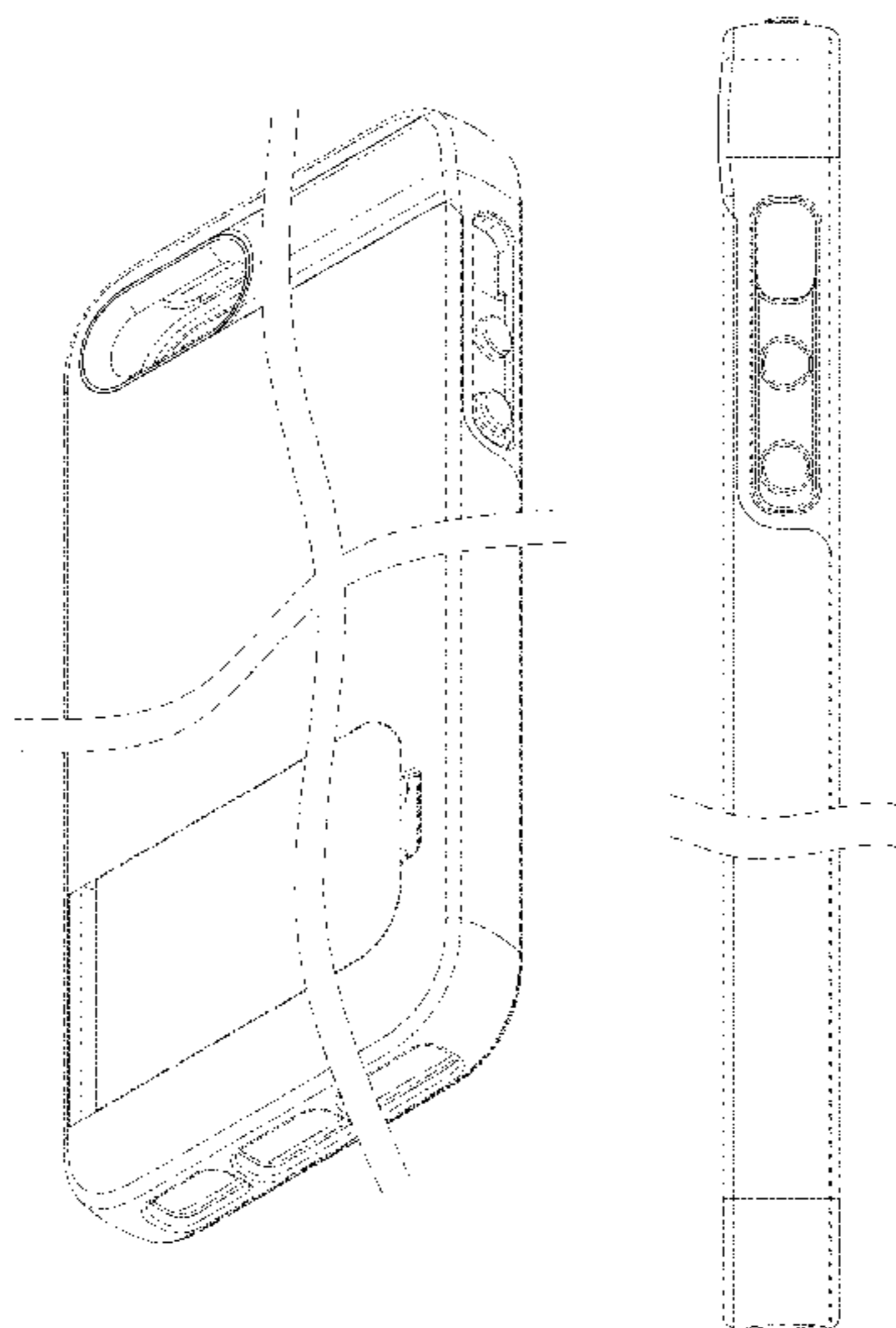
FIG. 6 is a right side view thereof.

FIG. 7 is a top end view thereof; and,

FIG. 8 is a bottom end view thereof.

The broken lines indicate portions of the case that form no part of the claimed design. The portions of the article shown broken away with wavy, parallel, broken cut-off lines indicate that any portion of the article beyond what is shown forms no part of the claimed design.

1 Claim, 6 Drawing Sheets



(56)

References Cited

U.S. PATENT DOCUMENTS

D417,555 S 12/1999 Yared et al.
 6,239,968 B1 5/2001 Kim et al.
 6,445,577 B1 9/2002 Madsen et al.
 6,519,141 B2 2/2003 Tseng et al.
 6,646,864 B2 11/2003 Richardson
 6,995,976 B2 2/2006 Richardson
 7,158,376 B2 1/2007 Richardson et al.
 7,180,735 B2 2/2007 Thomas et al.
 7,230,823 B2 6/2007 Richardson et al.
 7,312,984 B2 12/2007 Richardson et al.
 D565,290 S 4/2008 Brandenburg et al.
 D567,792 S 4/2008 Park et al.
 7,386,331 B2 6/2008 Hyun et al.
 D575,056 S 8/2008 Tan
 D586,851 S 2/2009 Lapsker
 D589,016 S 3/2009 Richardson et al.
 D589,482 S 3/2009 Lee et al.
 D589,486 S 3/2009 He
 D591,743 S 5/2009 Corley et al.
 D593,746 S 6/2009 Richardson et al.
 D597,301 S 8/2009 Richardson et al.
 D600,908 S 9/2009 Richardson et al.
 7,609,512 B2 10/2009 Richardson et al.
 D603,602 S 11/2009 Richardson et al.
 D603,603 S 11/2009 Laine et al.
 D605,850 S 12/2009 Richardson et al.
 D609,463 S 2/2010 Bullen
 D609,900 S 2/2010 Behar et al.
 7,663,879 B2 2/2010 Richardson et al.
 D611,339 S 3/2010 Mchatet
 D616,361 S 5/2010 Huang
 D625,283 S 10/2010 Okada et al.
 D625,698 S 10/2010 Miyazaki et al.
 D626,538 S 11/2010 Brown et al.
 D633,458 S 3/2011 Jinkinson et al.
 D635,555 S 4/2011 Giles
 D642,170 S 7/2011 Johnson et al.
 D644,216 S 8/2011 Richardson et al.
 8,016,107 B2 9/2011 Emsky
 D647,519 S 10/2011 Rothbaum et al.
 D648,301 S 11/2011 Zuffo et al.
 D654,068 S 2/2012 Monaco et al.
 D655,281 S * 3/2012 Turocy D14/250
 8,132,670 B1 3/2012 Chen
 D663,263 S 7/2012 Gupta et al.
 D665,735 S 8/2012 Kang et al.
 8,245,843 B1 8/2012 Wu
 D670,689 S * 11/2012 Wang D14/250
 D671,493 S 11/2012 Hasbrook et al.
 D672,344 S 12/2012 Li
 D676,844 S 2/2013 Weller et al.
 D677,249 S 3/2013 Li et al.

8,403,136 B1 3/2013 Tsai
 D679,271 S 4/2013 Liu
 D681,022 S 4/2013 Chang et al.
 D685,363 S * 7/2013 Murchison D14/250
 D685,778 S 7/2013 Fahrendorff et al.
 D686,199 S 7/2013 Fahrendorff et al.
 8,483,758 B2 * 7/2013 Huang H04B 1/3883
 361/679.41
 8,509,864 B1 * 8/2013 Diebel G03B 17/02
 361/679.32
 D695,735 S 12/2013 Kitchen et al.
 D715,786 S * 10/2014 Lee D14/250
 D717,286 S * 11/2014 Veldkamp D14/250
 D717,773 S 11/2014 Fathollahi
 D717,777 S 11/2014 Hemesath et al.
 D718,292 S 11/2014 Hemesath et al.
 D730,344 S 5/2015 Hemesath et al.
 2005/0247584 A1 11/2005 Lu
 2006/0105824 A1 * 5/2006 Kim H04M 1/0214
 455/575.8
 2008/0012383 A1 1/2008 Larson
 2008/0123287 A1 * 5/2008 Rossell G06F 1/1632
 361/679.3
 2008/0316687 A1 12/2008 Richardson et al.
 2009/0009945 A1 1/2009 Johnson et al.
 2009/0050499 A1 2/2009 Calco et al.
 2009/0080153 A1 3/2009 Richardson et al.
 2009/0111543 A1 4/2009 Tai et al.
 2009/0186264 A1 7/2009 Huang
 2009/0247244 A1 * 10/2009 Mittleman H04M 1/035
 455/575.1
 2010/0008208 A1 1/2010 Buechel et al.
 2010/0224519 A1 9/2010 Kao
 2011/0036876 A1 2/2011 Fathollahi
 2011/0049005 A1 * 3/2011 Wilson A45C 11/00
 206/701
 2012/0013295 A1 1/2012 Yeh
 2012/0088555 A1 * 4/2012 Hu H04B 1/3883
 455/573

OTHER PUBLICATIONS

Cult of Mac, iPhone 5 Cases Available from Incase, Otterbox, Incipio and Others [Roundup], by Alex Heath, posted Sep. 17, 2012, <http://www.cultofmac.com/191189/phone-5-cases-available-from-incase-otterbox-incipio-and-others-roundup/>, retrieved from Internet on Jan. 6, 2014.
 CaseReview.com, Incase Snap Stand iPhone Case Review, by iCaseReview.com Editor, posted Jan. 10, 2012, <http://www.icasereview.com/incase-snap-stand-review/>, retrieved from Internet on Jan. 6, 2014.

* cited by examiner

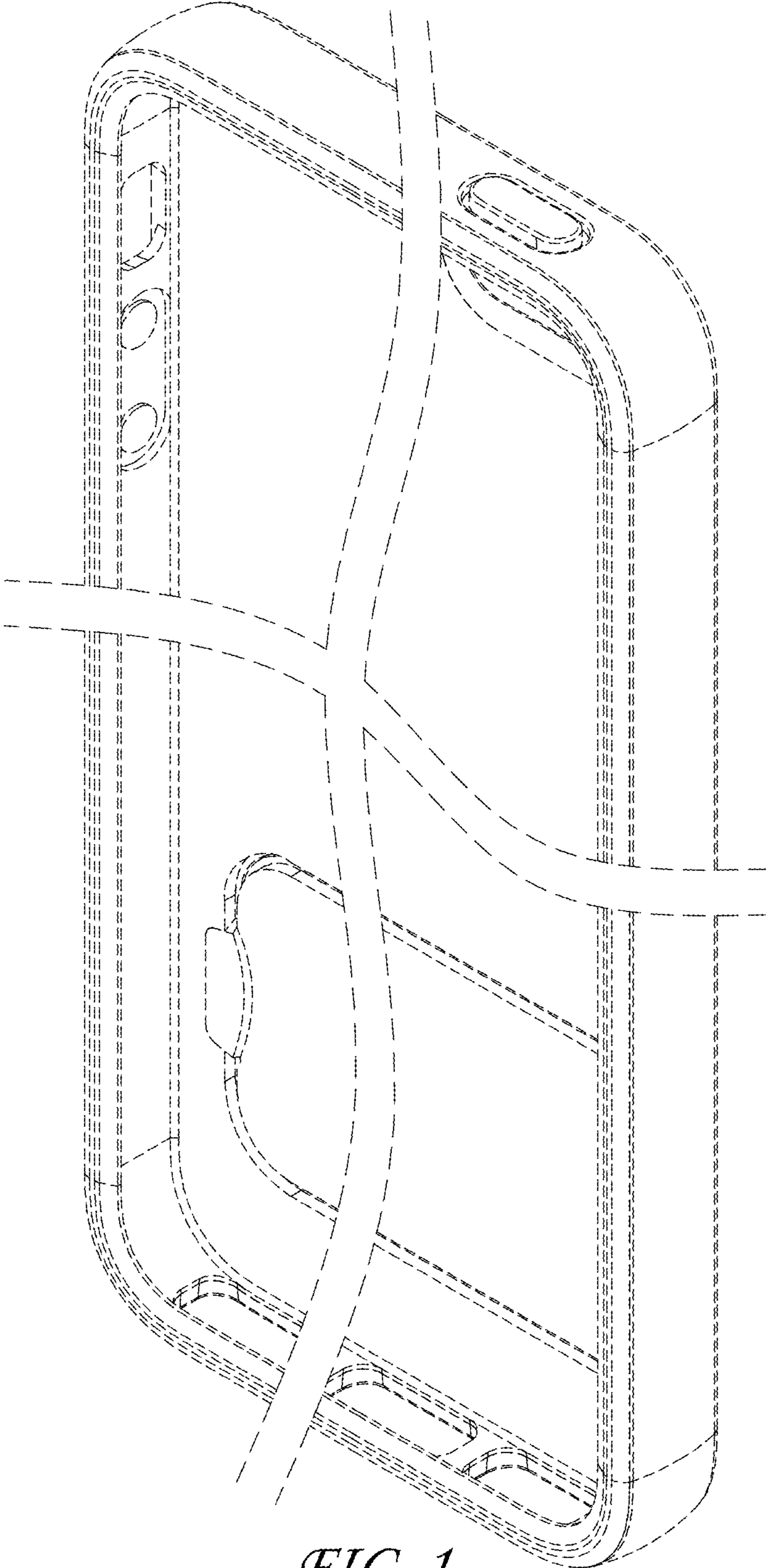


FIG. 1

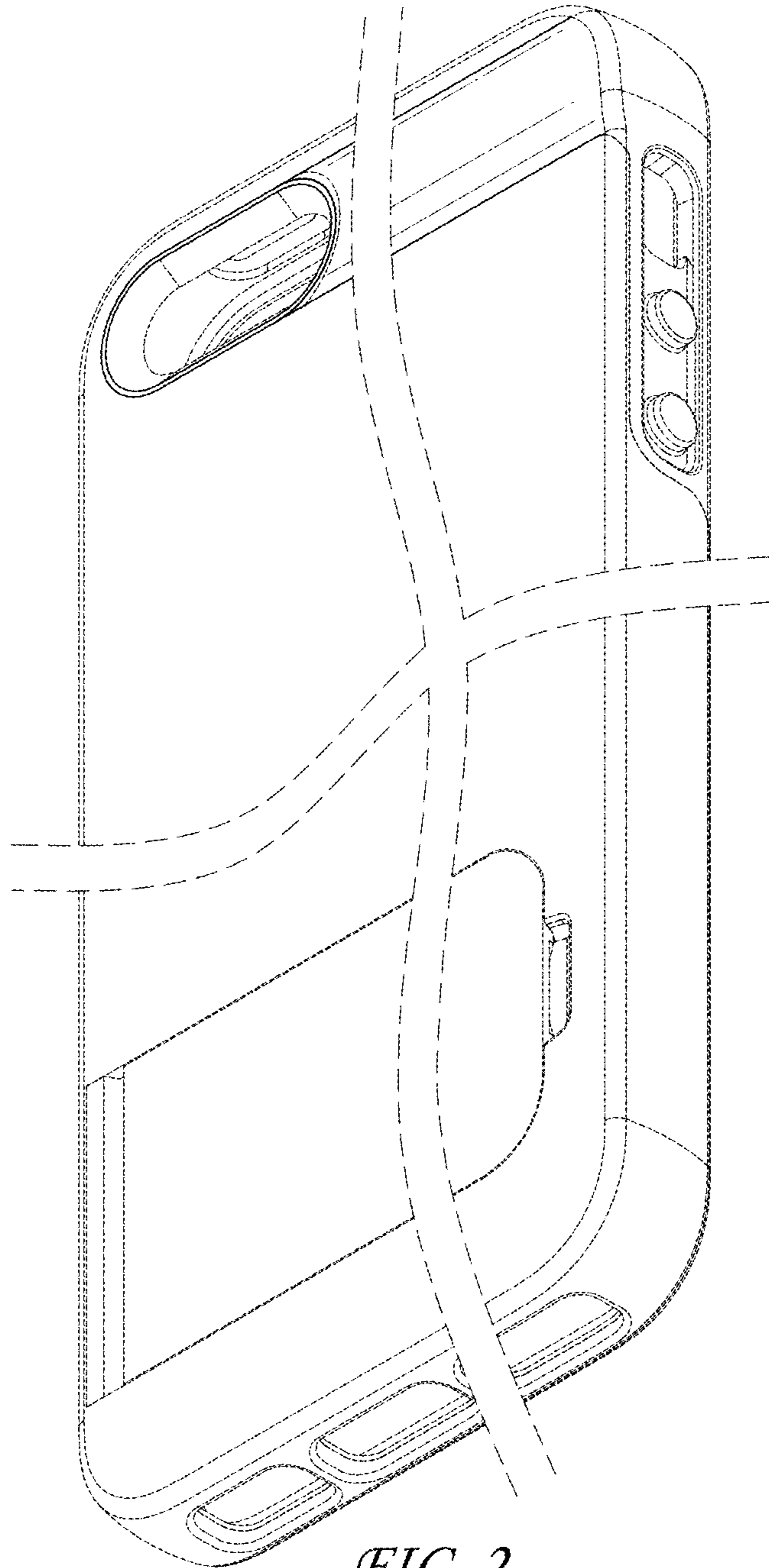


FIG. 2

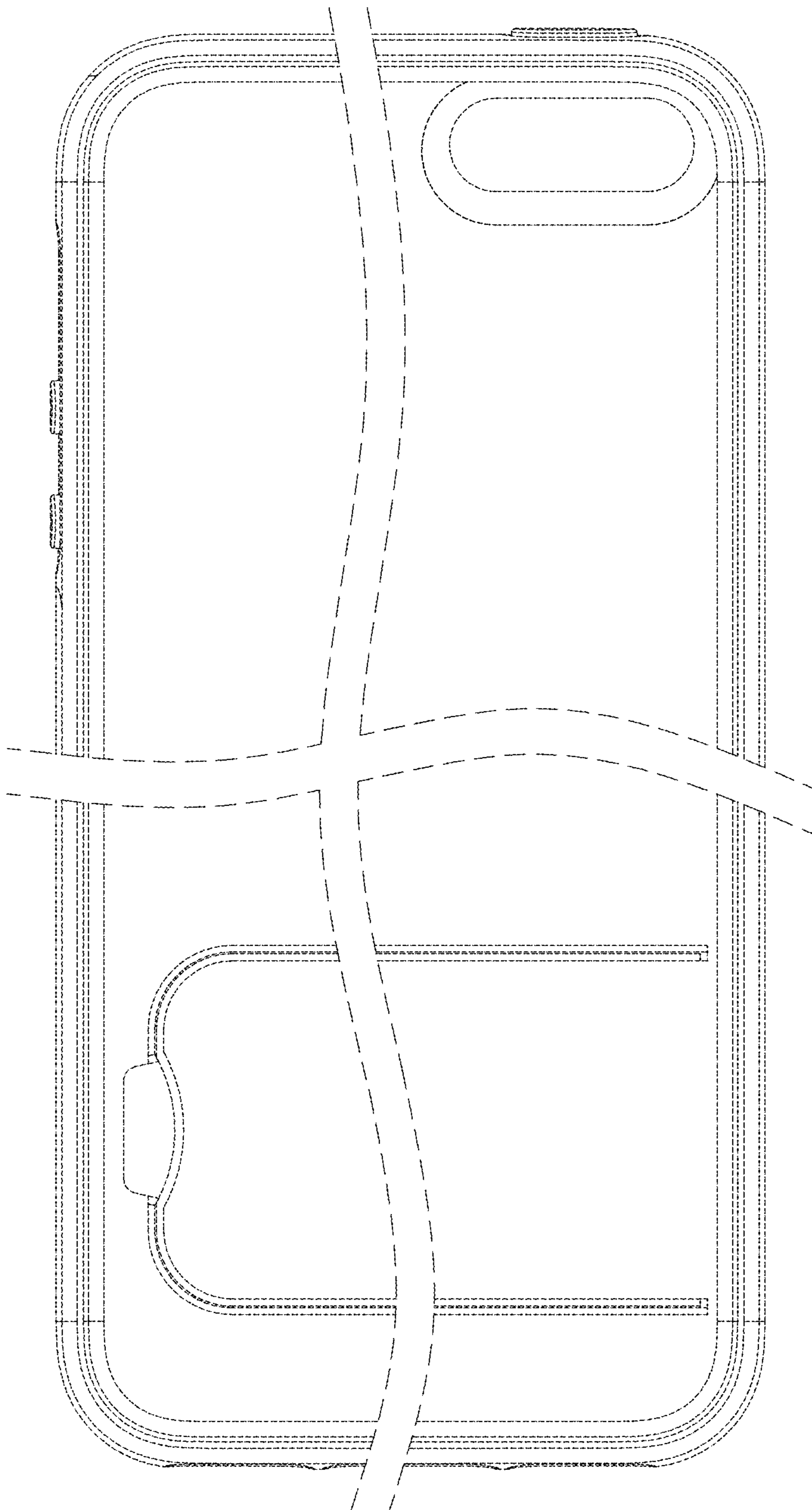


FIG. 3

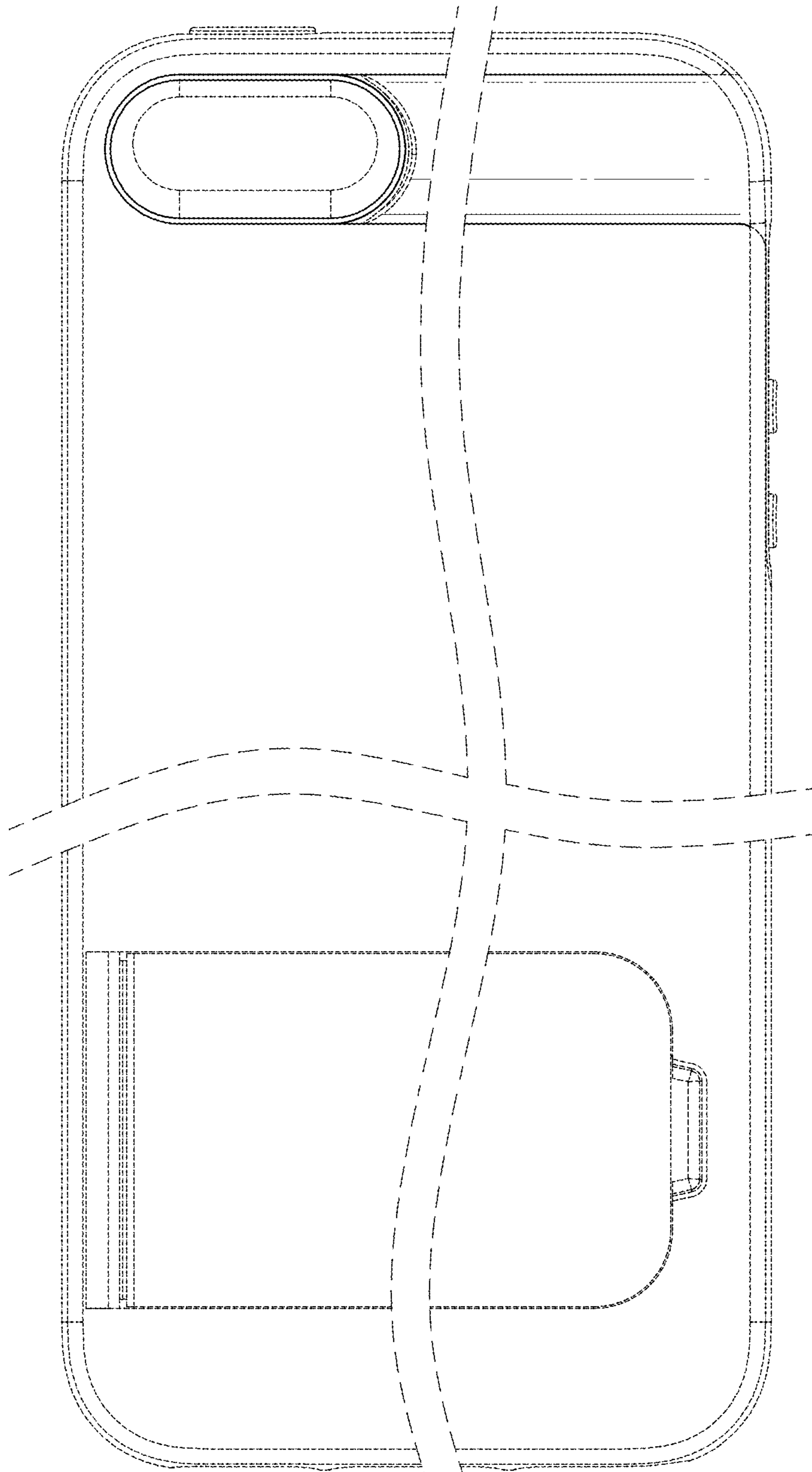


FIG. 4

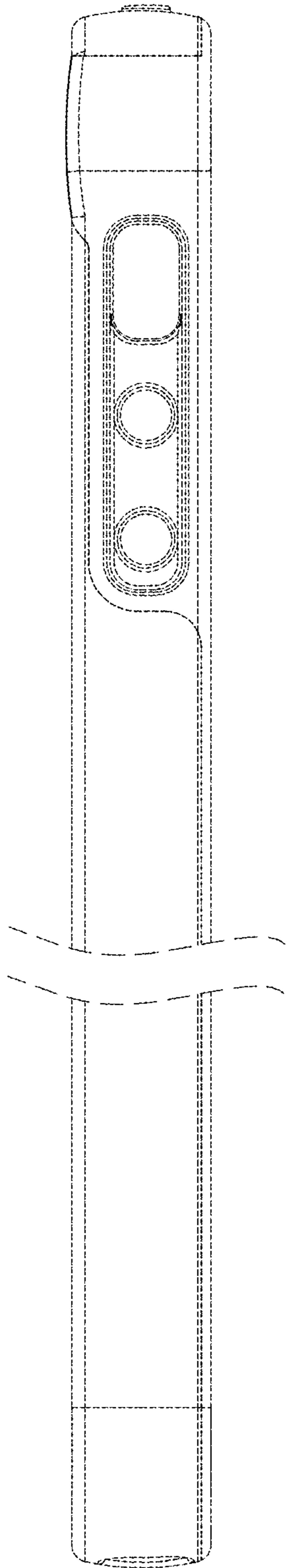


FIG. 5

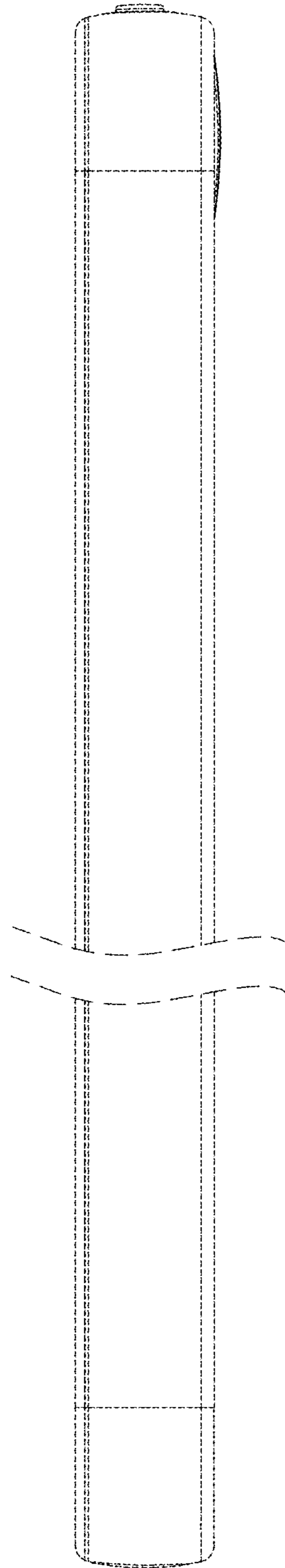


FIG. 6

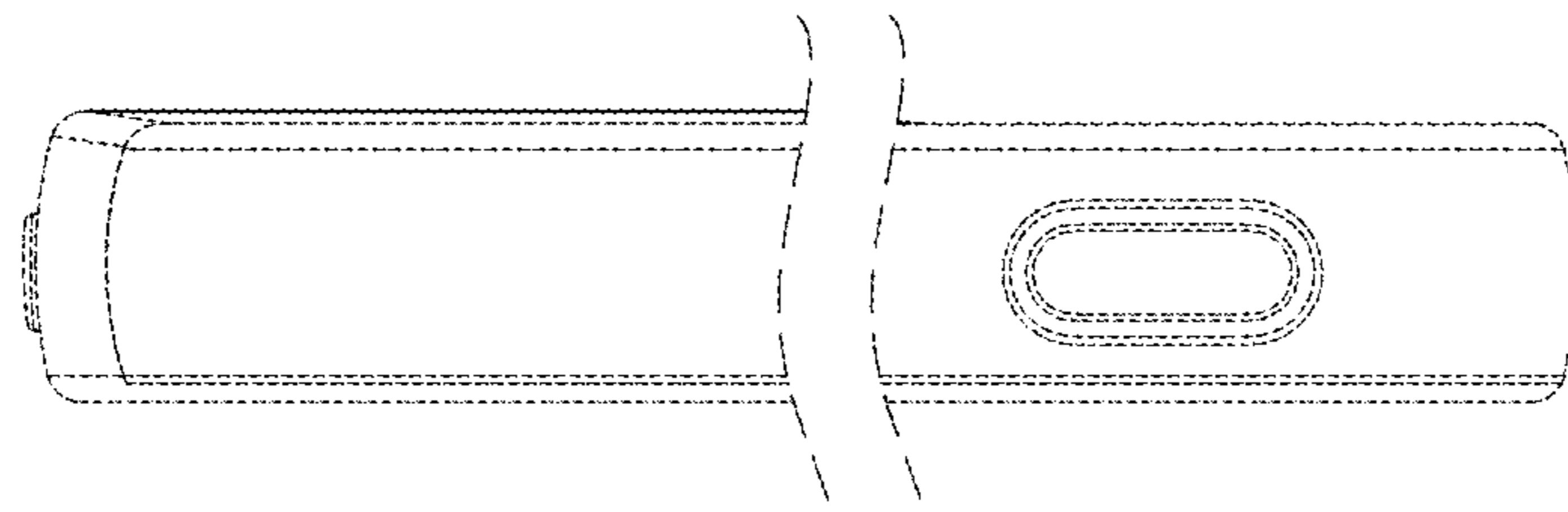


FIG. 7

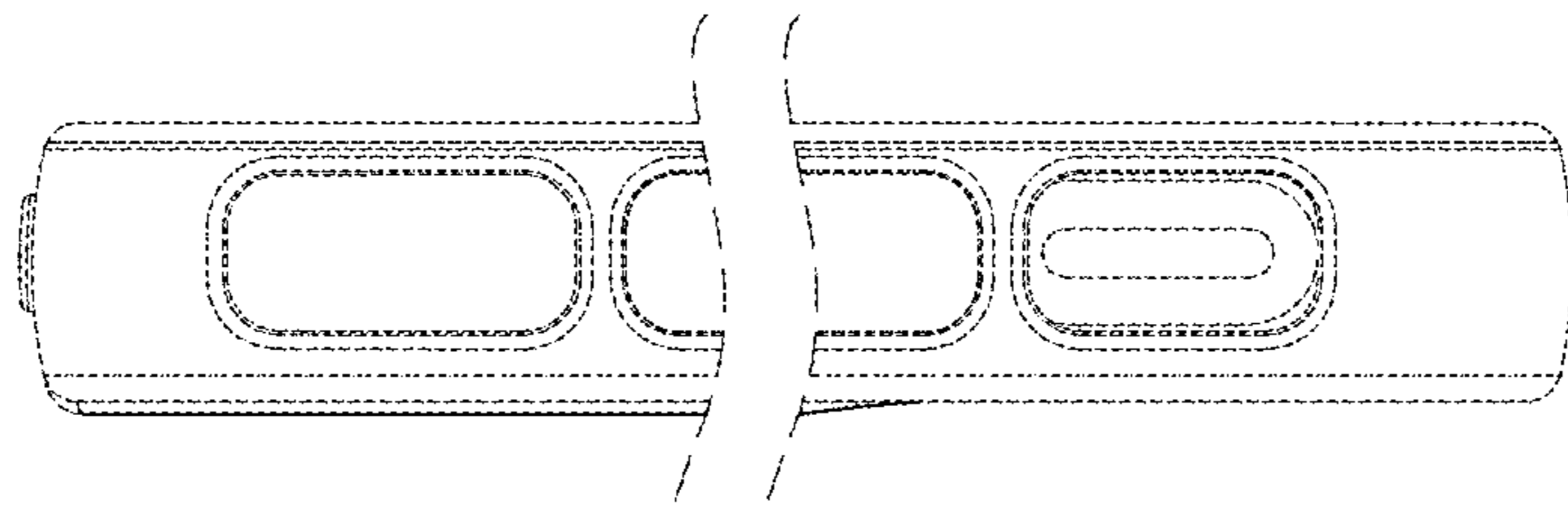


FIG. 8