



US00D775107S

(12) **United States Design Patent**
Green et al.

(10) **Patent No.:** **US D775,107 S**

(45) **Date of Patent:** **** Dec. 27, 2016**

- (54) **LOW PROFILE SPEAKER**
- (71) Applicant: **Bose Corporation**, Framingham, MA (US)
- (72) Inventors: **Seth N. Green**, Newton, MA (US);
Ning Zhang, Shenzhen (CN)
- (73) Assignee: **Bose Corporation**, Framingham, MA (US)
- (**) Term: **15 Years**
- (21) Appl. No.: **29/541,963**
- (22) Filed: **Oct. 9, 2015**
- (51) **LOC (10) Cl.** **14-01**
- (52) **U.S. Cl.**
USPC **D14/221**
- (58) **Field of Classification Search**
USPC D14/221, 204, 209, 209.1, 210, 211,
D14/212–216, 222, 224, 224.1;
181/143–144, 147–148, 150–153, 157,
181/198–199; 381/300–303, 332–333,
381/336, 345, 361–364, 386–388, 340,
381/392
CPC H04R 1/02; H04R 5/00; H04R 25/00
See application file for complete search history.

- 4,221,929 A * 9/1980 Fukuda H04R 1/025
181/148
- 4,805,729 A * 2/1989 Wascom H04R 1/26
181/144
- 5,416,284 A * 5/1995 Steele H04R 1/02
181/199
- D360,417 S * 7/1995 Mark D14/215
- D405,794 S * 2/1999 Olsen D14/204
- 5,875,255 A * 2/1999 Campbell H04R 1/2819
181/199
- D439,238 S * 3/2001 Mackie D14/214
- D519,105 S * 4/2006 Masui D14/214
- D533,541 S * 12/2006 Motoishi D14/215
- D542,777 S * 5/2007 Sato D14/172
- D581,901 S * 12/2008 Pincek D14/214
- D598,897 S * 8/2009 Arneson D14/214
- D645,450 S * 9/2011 Chen D14/215
- D664,122 S * 7/2012 Cho D14/215
- D730,318 S * 5/2015 Park D14/214
- D754,097 S * 4/2016 Pineau D14/204
- D759,631 S * 6/2016 Espinosa D14/215

(Continued)

Primary Examiner — Paula Greene

(57) **CLAIM**

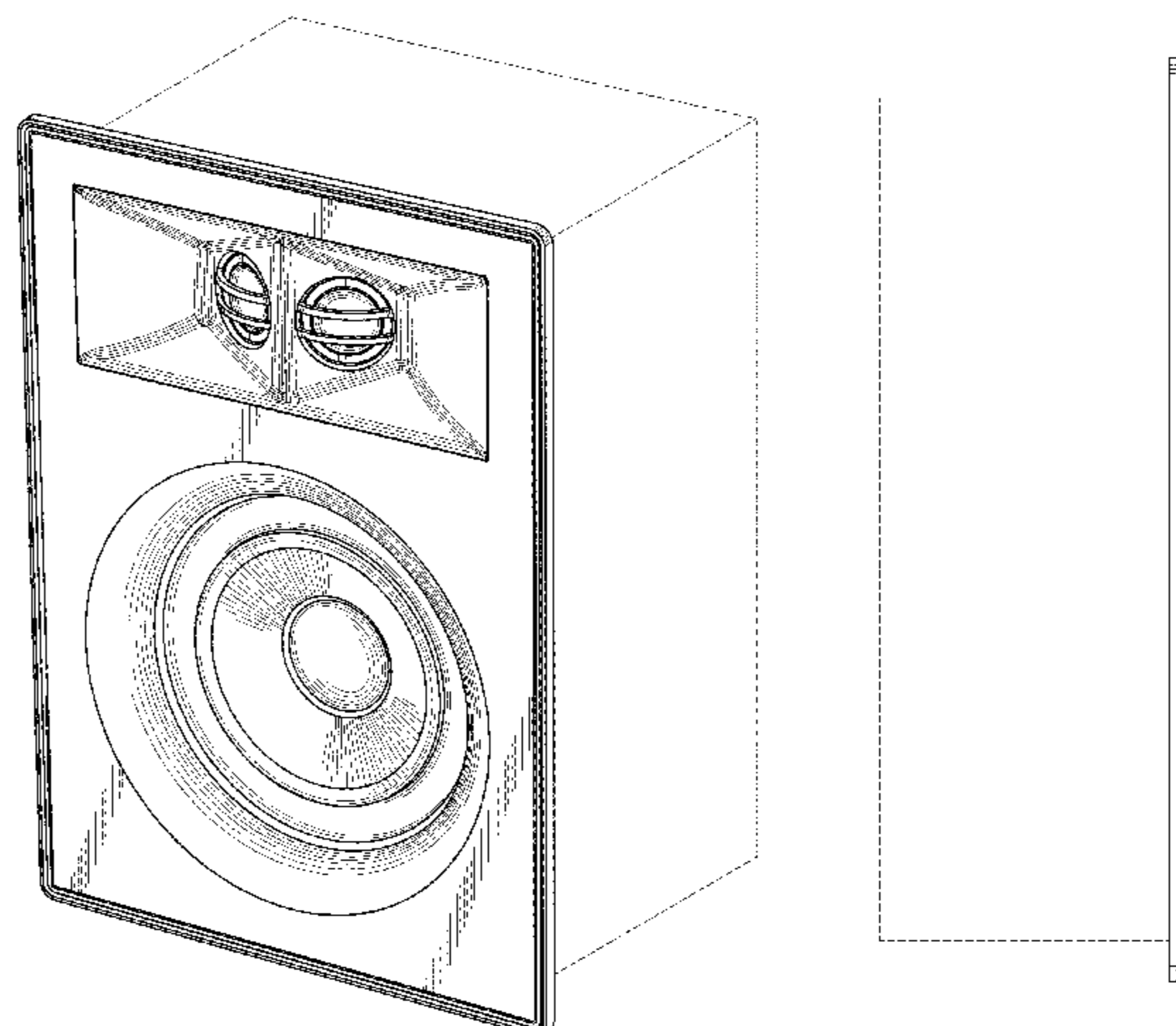
The ornamental design for a low profile speaker, substantially as shown and described.

DESCRIPTION

FIG. 1 is a perspective view of a low profile speaker as seen from the front, top and side;
 FIG. 2 is a front view thereof;
 FIG. 3 is a rear view thereof;
 FIG. 4 is a top view thereof;
 FIG. 5 is a bottom view thereof;
 FIG. 6 is an opposite side view thereof; and,
 FIG. 7 is a side view thereof.
 The dotted line portions of the drawings represent environmental structure only and form no part of the claimed design.

1 Claim, 5 Drawing Sheets

- (56) **References Cited**
U.S. PATENT DOCUMENTS
- 2,315,896 A * 4/1943 Dumas H04R 1/288
181/151
- 2,801,704 A * 8/1957 Martin H04R 1/323
181/144
- D222,676 S * 11/1971 Ishikawa D14/214
- 3,688,864 A * 9/1972 Guss H04R 1/26
181/145
- 3,727,004 A * 4/1973 Bose H04R 1/26
181/145
- 3,909,531 A * 9/1975 Plummer H04R 1/26
181/145
- D253,592 S * 12/1979 Takei D14/214



(56)

References Cited

U.S. PATENT DOCUMENTS

2004/0252856 A1* 12/2004 Masuda H04R 1/26
381/340
2004/0264730 A1* 12/2004 Combest H04R 1/023
381/391

* cited by examiner

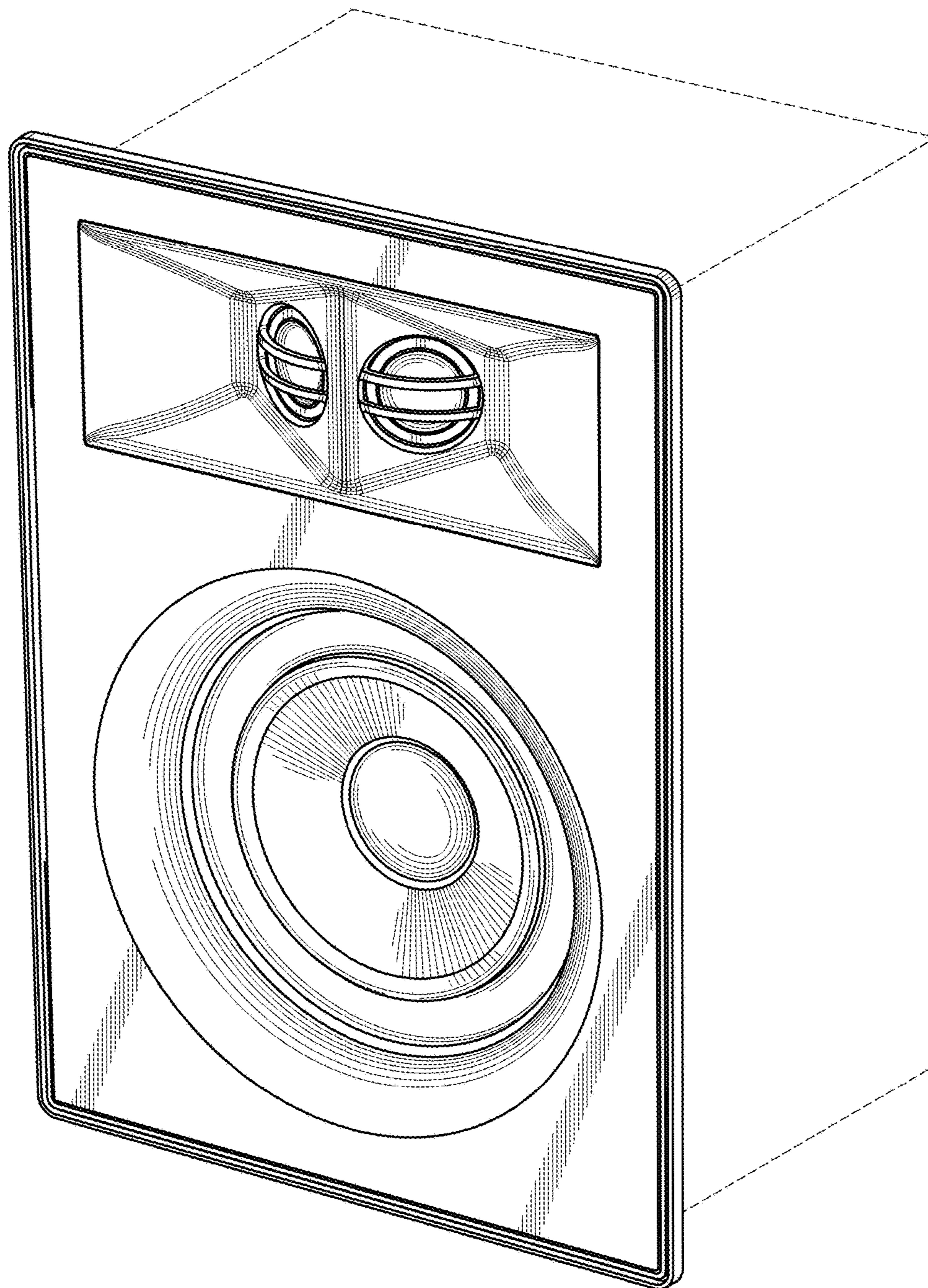


FIG. 1

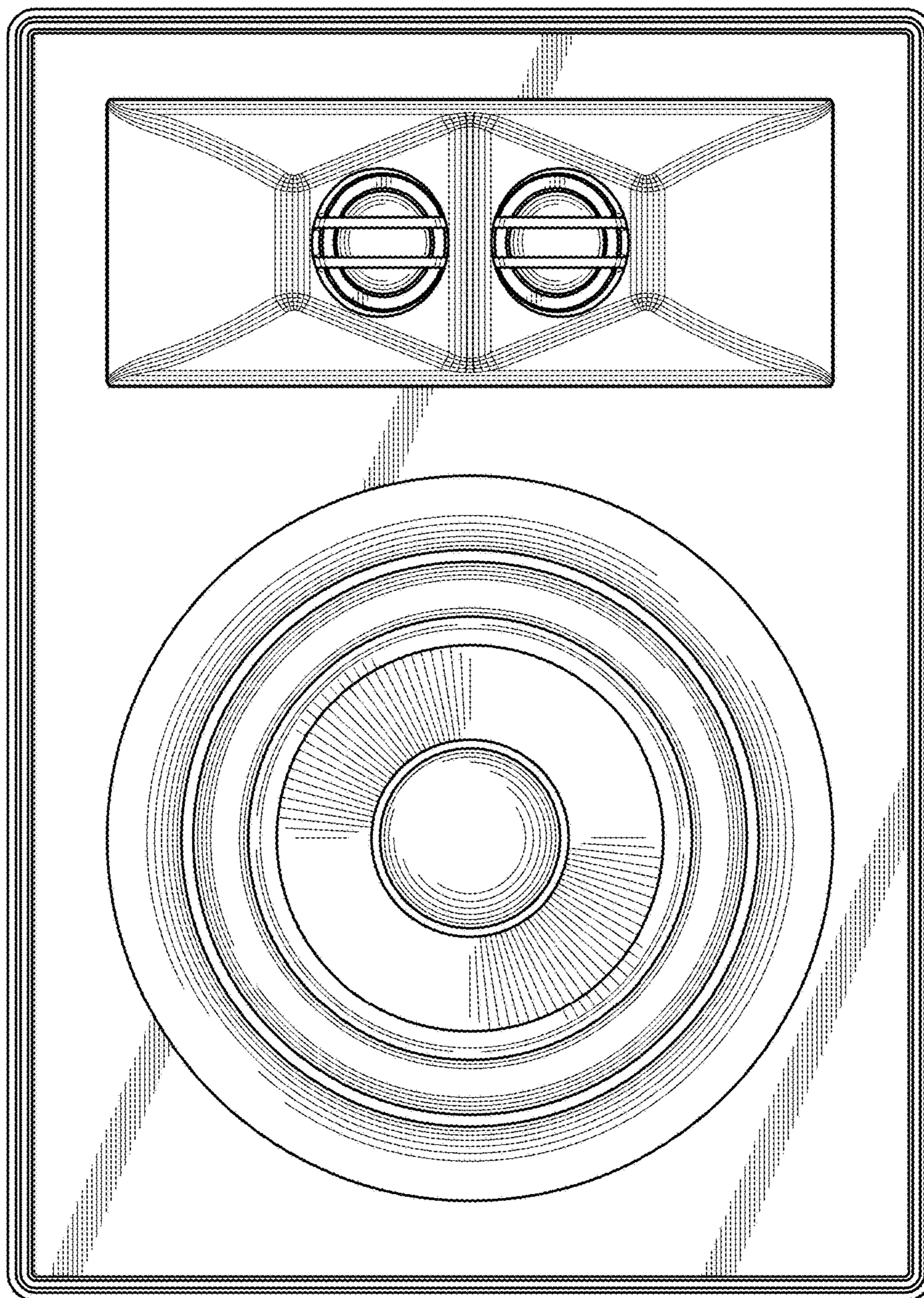


FIG. 2

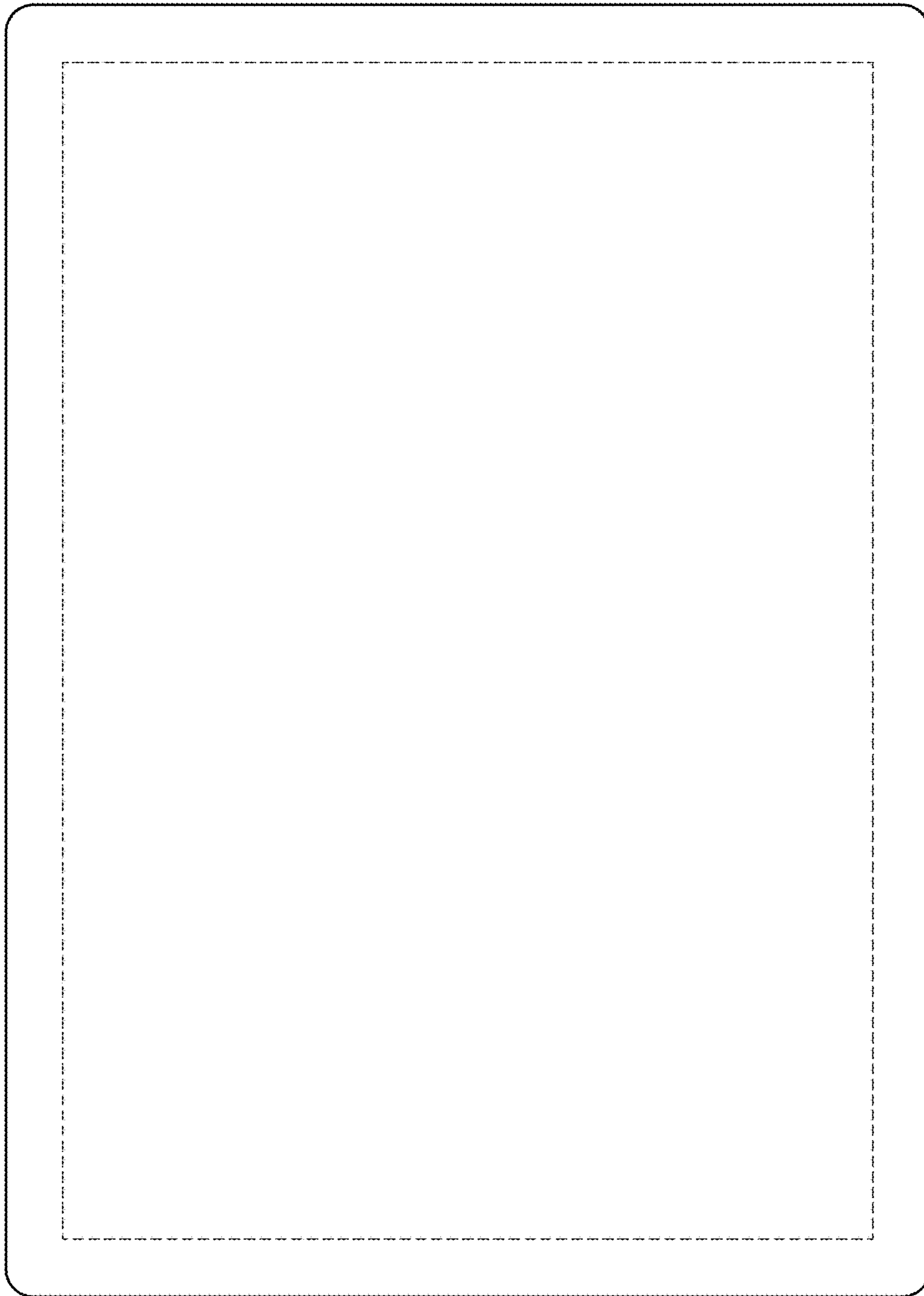


FIG. 3

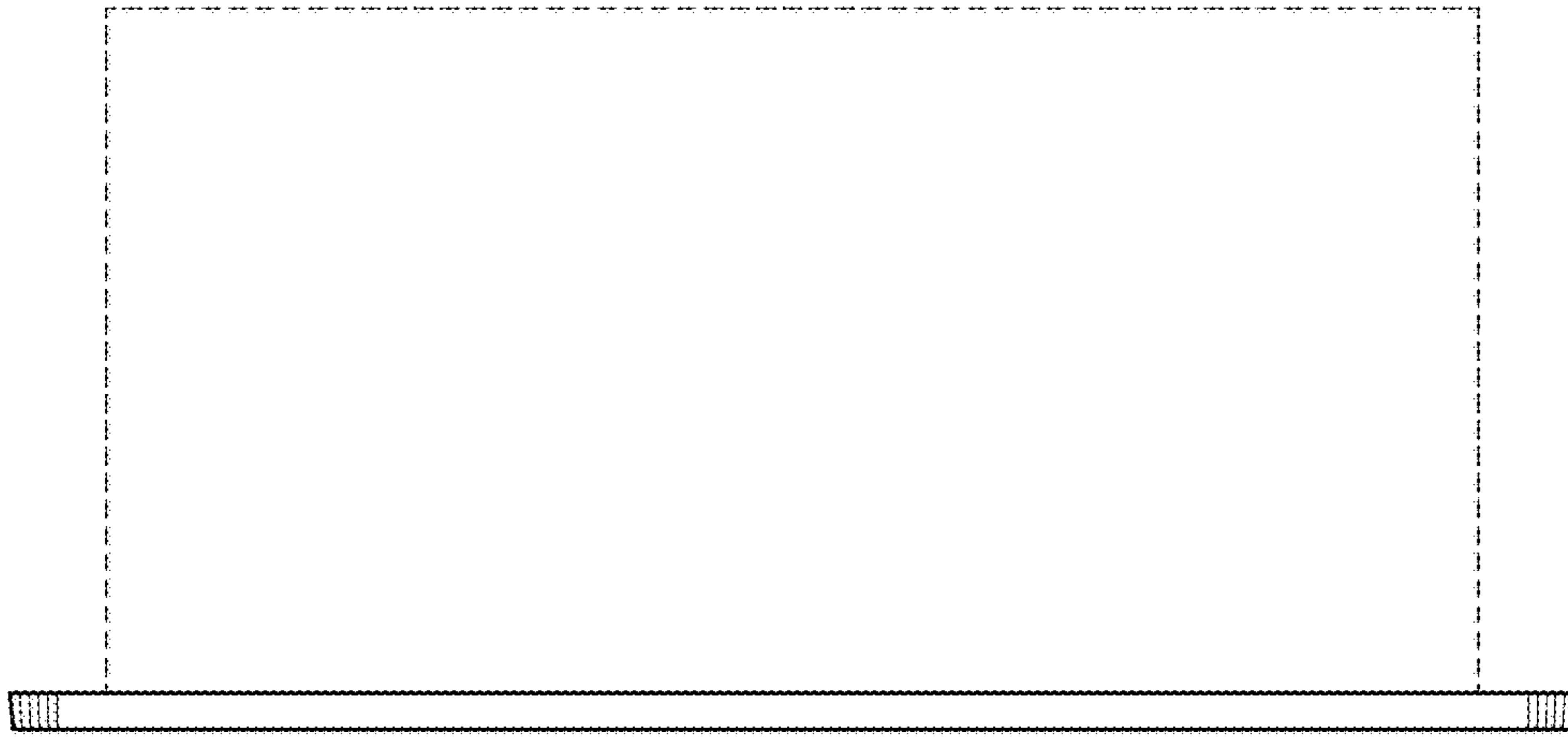


FIG. 4

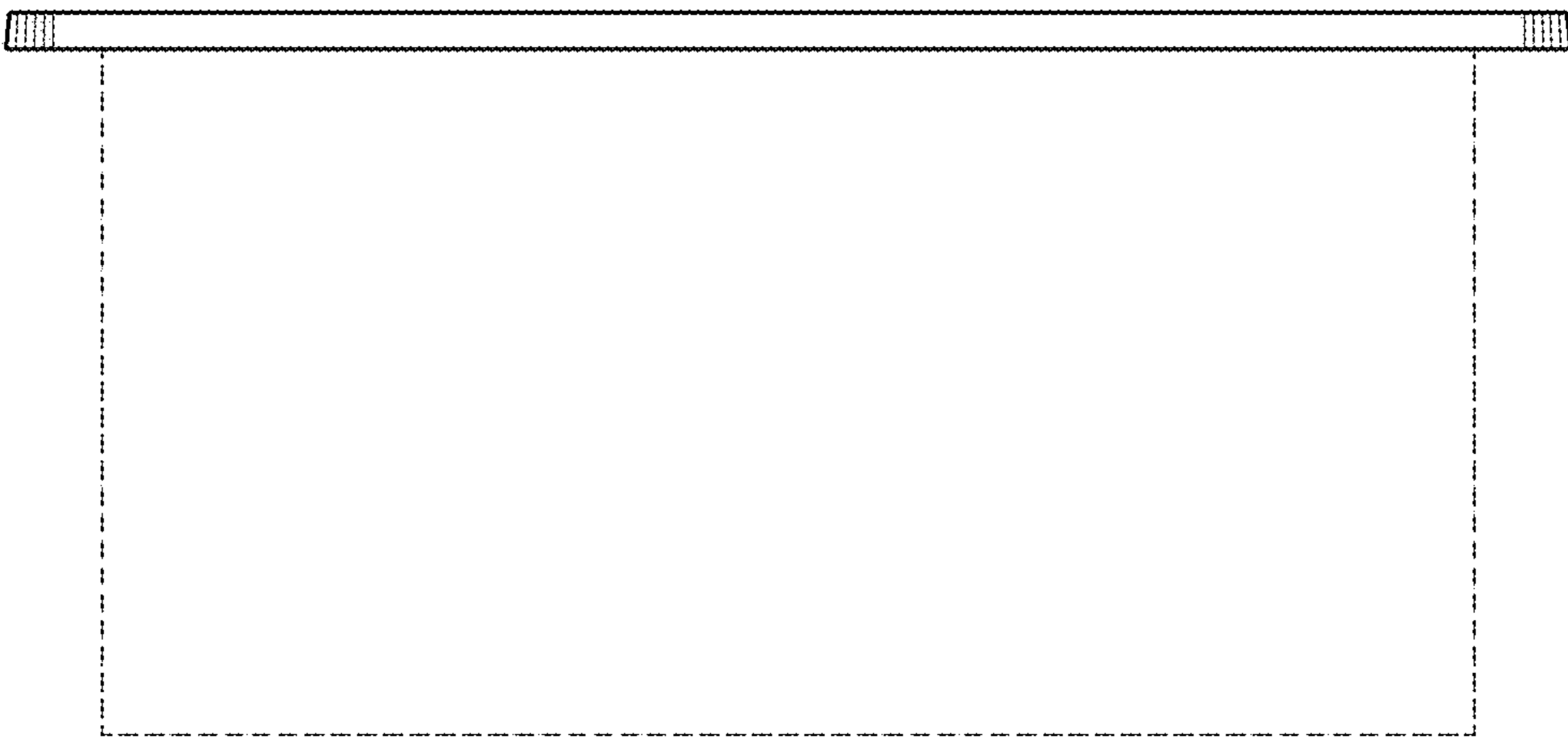


FIG. 5

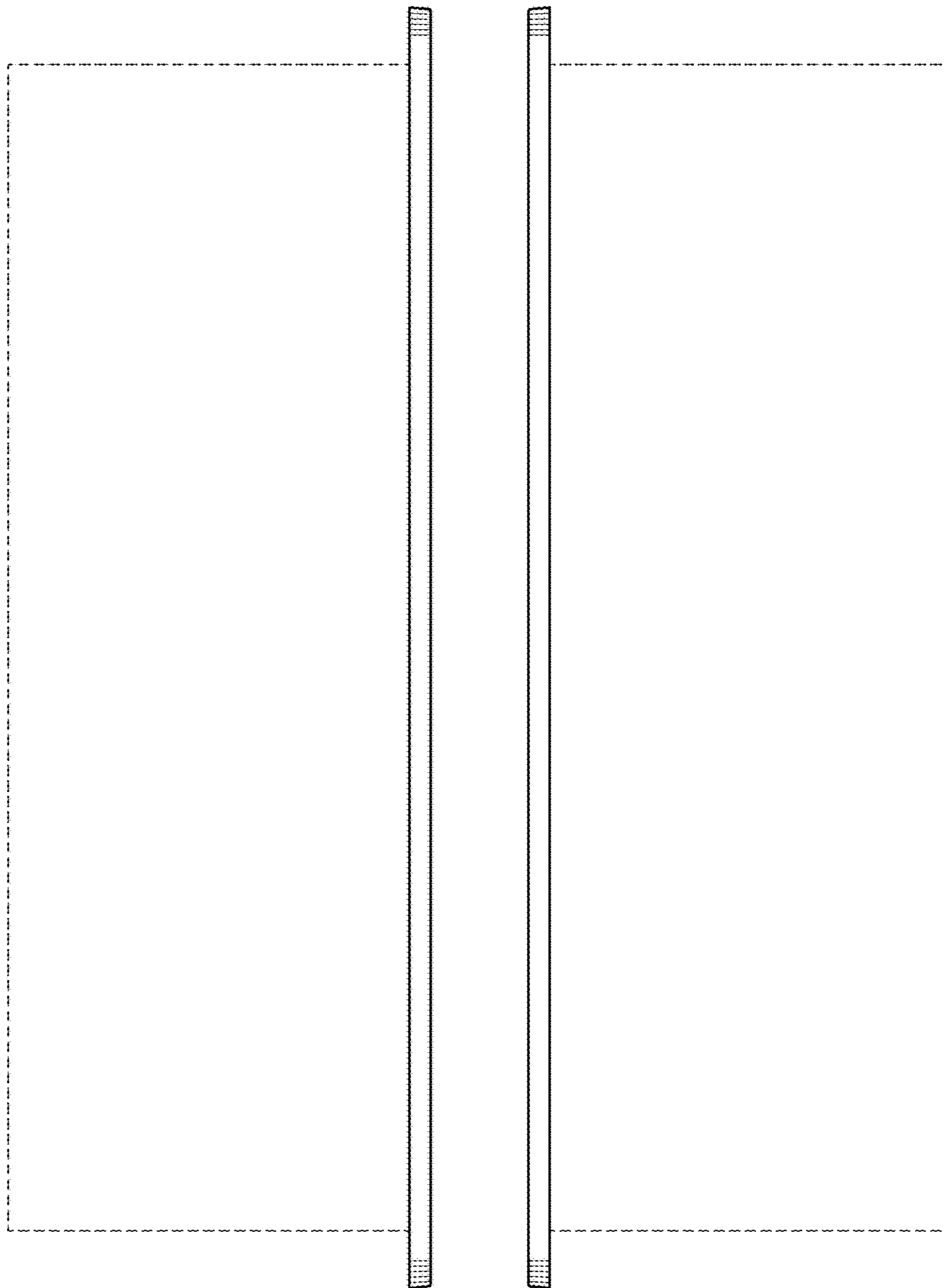


FIG. 6

FIG. 7