



US00D775106S

(12) **United States Design Patent** (10) **Patent No.:** **US D775,106 S**
Chandel et al. (45) **Date of Patent:** **** Dec. 27, 2016**

(54) **REMOTE CONTROL**

(71) Applicant: **Google Inc.**, Mountain View, CA (US)

(72) Inventors: **Alok Chandel**, Sunnyvale, CA (US);
Pierre-Yves Laligand, Mountain View, CA (US)

(73) Assignee: **Google Inc.**, Mountain View, CA (US)

(**) Term: **15 Years**

(21) Appl. No.: **29/550,445**

(22) Filed: **Jan. 4, 2016**

Related U.S. Application Data

(62) Division of application No. 29/514,001, filed on Jan. 7, 2015, now Pat. No. Des. 749,547, which is a
(Continued)

(51) **LOC (10) Cl.** **14-03**

(52) **U.S. Cl.**
USPC **D14/218**

(58) **Field of Classification Search**
USPC D14/218; D13/168
(Continued)

(56) **References Cited**

U.S. PATENT DOCUMENTS

D190,810 S 7/1961 Dreyfuss et al.
D291,888 S 9/1987 Fong et al.
(Continued)

FOREIGN PATENT DOCUMENTS

EM 001241020-0003 * 10/2010
JP D1071755 5/2000
(Continued)

OTHER PUBLICATIONS

Amazon.com: Logitech Harmony Smart Control with Smartphone App, review date May 20, 2013, https://www.amazon.com/...trol-Smartphone-Simple/dp/B00BQ5RYI4/ref=sr_1_1?ie=UTF8&q-id=1472348895&sr=8-1&keywords=logitech+harmony+remote+smartphone#customerReviews, [site visited Aug. 27, 2016 9:49:14 PM].*

(Continued)

Primary Examiner — John Windmuller

Assistant Examiner — John R Yeh

(74) *Attorney, Agent, or Firm* — Byrne Poh LLP

(57) **CLAIM**

We claim the ornamental design for a remote control, as shown and described.

DESCRIPTION

FIG. 1 is a top perspective view of a remote control in accordance with our design.

FIG. 2 is a bottom perspective view of the remote control shown in FIG. 1.

FIG. 3 is a right side view of the remote control shown in FIG. 1.

FIG. 4 is a left side view of the remote control shown in FIG. 1.

FIG. 5 is a front side view of the remote control shown in FIG. 1.

FIG. 6 is a rear side view of the remote control shown in FIG. 1.

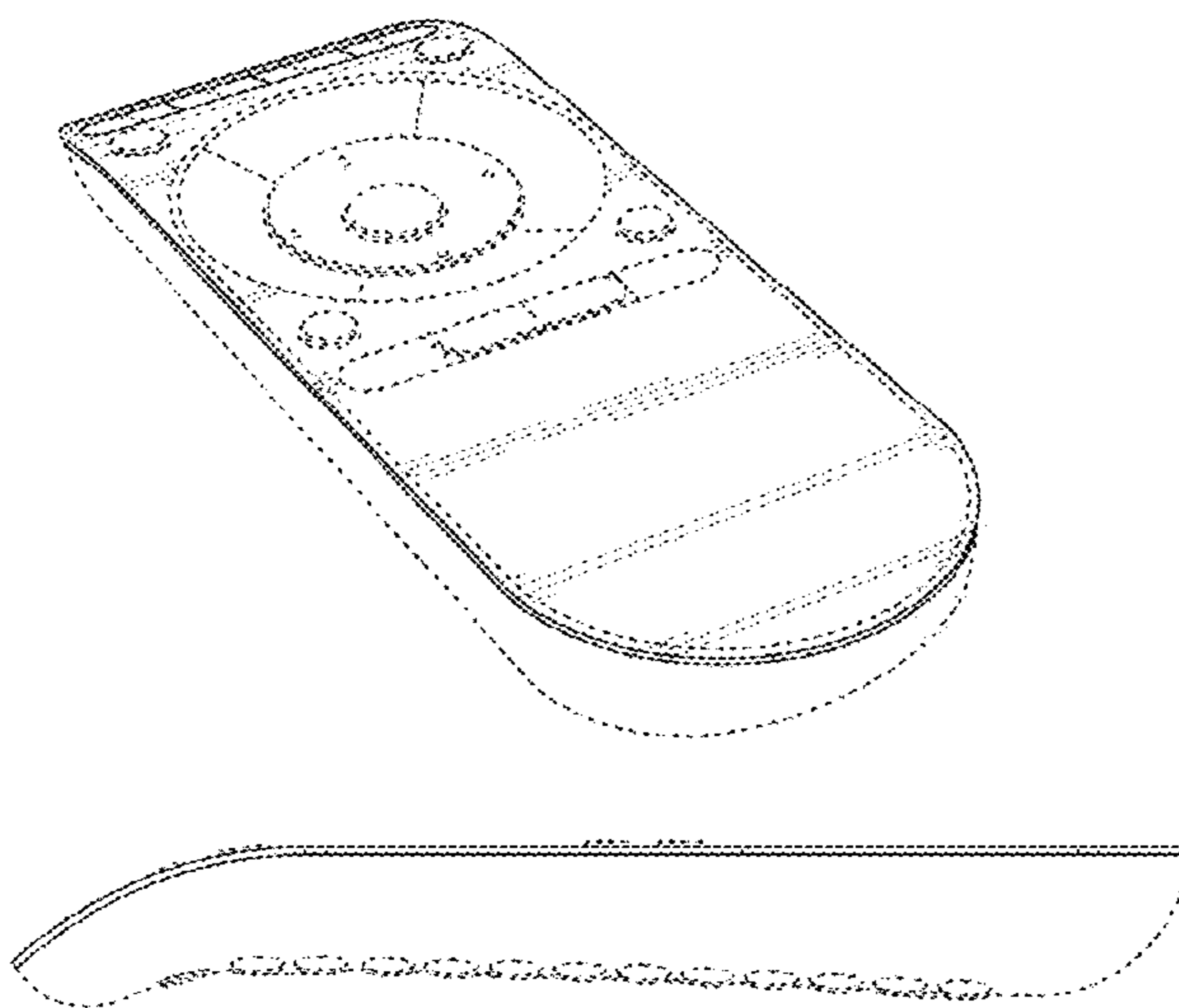
FIG. 7 is a top view of the remote control shown in FIG. 1.

FIG. 8 is a bottom view of the remote control shown in FIG. 1; and,

FIG. 9 is a rear perspective view of the remote control shown in FIG. 1.

The broken lines in the figures show portions of the remote control which form no part of the claimed design.

1 Claim, 7 Drawing Sheets



Related U.S. Application Data

division of application No. 29/448,781, filed on Mar. 13, 2013, now Pat. No. Des. 724,058.

(58) **Field of Classification Search**

CPC A61L 2/10; G06F 3/033; G09G 5/08; G08C 19/12; G08C 17/02; G08G 5/08
See application file for complete search history.

(56) **References Cited**

U.S. PATENT DOCUMENTS

D342,258 S	12/1993	Saito et al.	
D387,060 S	12/1997	Inukai	
5,973,757 A	10/1999	Aubuchon et al.	
D421,016 S	2/2000	Bowen et al.	
D422,594 S	4/2000	Henderson et al.	
D433,404 S	* 11/2000	Thakur	D14/218
D483,281 S	* 12/2003	Cobigo	D10/104.1
D494,230 S	8/2004	Allen	
D496,638 S	* 9/2004	Deubler, Jr.	D10/104.1
D500,484 S	1/2005	Deguchi	
D516,530 S	3/2006	Boyd	
D561,730 S	* 2/2008	Deubler	D14/138 AA
D571,305 S	6/2008	Thursfield	
D578,993 S	* 10/2008	Yamada	D14/159
D581,370 S	* 11/2008	Corsini	D13/168
D596,163 S	7/2009	Madonna et al.	
D611,433 S	* 3/2010	Tang	D13/168
D613,272 S	* 4/2010	Painter	D14/218
D633,478 S	* 3/2011	Bolton	D14/218
D648,326 S	11/2011	Sung et al.	
D661,688 S	* 6/2012	Weitgasser	D14/218
D663,721 S	7/2012	McManigal et al.	
D673,139 S	12/2012	Choi et al.	
D679,680 S	4/2013	Wood et al.	
D690,695 S	* 10/2013	Butterworth	D14/218
D695,272 S	* 12/2013	Hansen	D14/218
D709,480 S	* 7/2014	Kim	D14/218
D713,820 S	* 9/2014	O'Neil	D14/218
D722,046 S	* 2/2015	Kuh	D14/218
D724,058 S	* 3/2015	Chandel	D14/218
D729,180 S	* 5/2015	Byrne	D13/174
D749,547 S	* 2/2016	Chandel	D14/218

D752,025 S	* 3/2016	Akana	D14/218
D752,555 S	* 3/2016	Langhammer	D14/218
D763,830 S	* 8/2016	Jones	D14/218
2004/0224717 A1	11/2004	Hertzberg et al.	
2014/0049696 A1*	2/2014	Sirpal	H04N 5/44 348/734

FOREIGN PATENT DOCUMENTS

JP	D1238019	5/2005
JP	D1265348	* 3/2006
JP	D1365964	10/2009
JP	D1385908	4/2010
JP	D1479307	9/2013
KR	300411090-0000	4/2006
KR	300488742-0000	4/2008
KR	300608372-0000	8/2011
KR	300663666-0000	10/2012
RU	00078456	5/2011
WO	D082132-001	11/2013

OTHER PUBLICATIONS

Sony Google TV Remote video date Sep. 16, 2013, site visited Aug. 27, 2016, <https://www.youtube.com/watch?v=tLCqeRqX28w>.
Duintezz European sales website, Sensor Touch Remote Control, website copyright 2011, <<http://www.quintezz.com/en/shop/3214-spare-parts-acc/5160-rgb-flexkit-300-led-with-remote-control-spare-parts/product/7236-sensor-touch-remote-control>>.
Android TV Remote Control—Android Apps on Google Play, website copyright 2015, <<https://play.google.com/store/apps/details?id=com.google.android.tv.remote&hl=en>>.
Google Next Player review—date Mar. 26, 2015, <http://www.expertreviews.co.uk/tvs-entertainment/media-streamers/1402995/google-nexus-player-review-android-tv-isnt-quite-ready/>.
Eric's Electronics, Megafels Google Android 4.2 1G DDR3 USB Wifi HDMI Bluetooth Smart Internet TV Dongle, website copyright 2015, <http://www.ericselectronics.com/...net-tv-dongle-mini-tv-box-adapter-set-top-box-with-2-4ghz-wireless-fly-android-remote-control-acceleratio/>.
PC TV Box Google Android 4.0 TV Box, Website Copyright 2015, <http://www.dhgate.com/product/google-android-4-0-tv-box-allwinner-a10-cortex/158570334.html>.

* cited by examiner

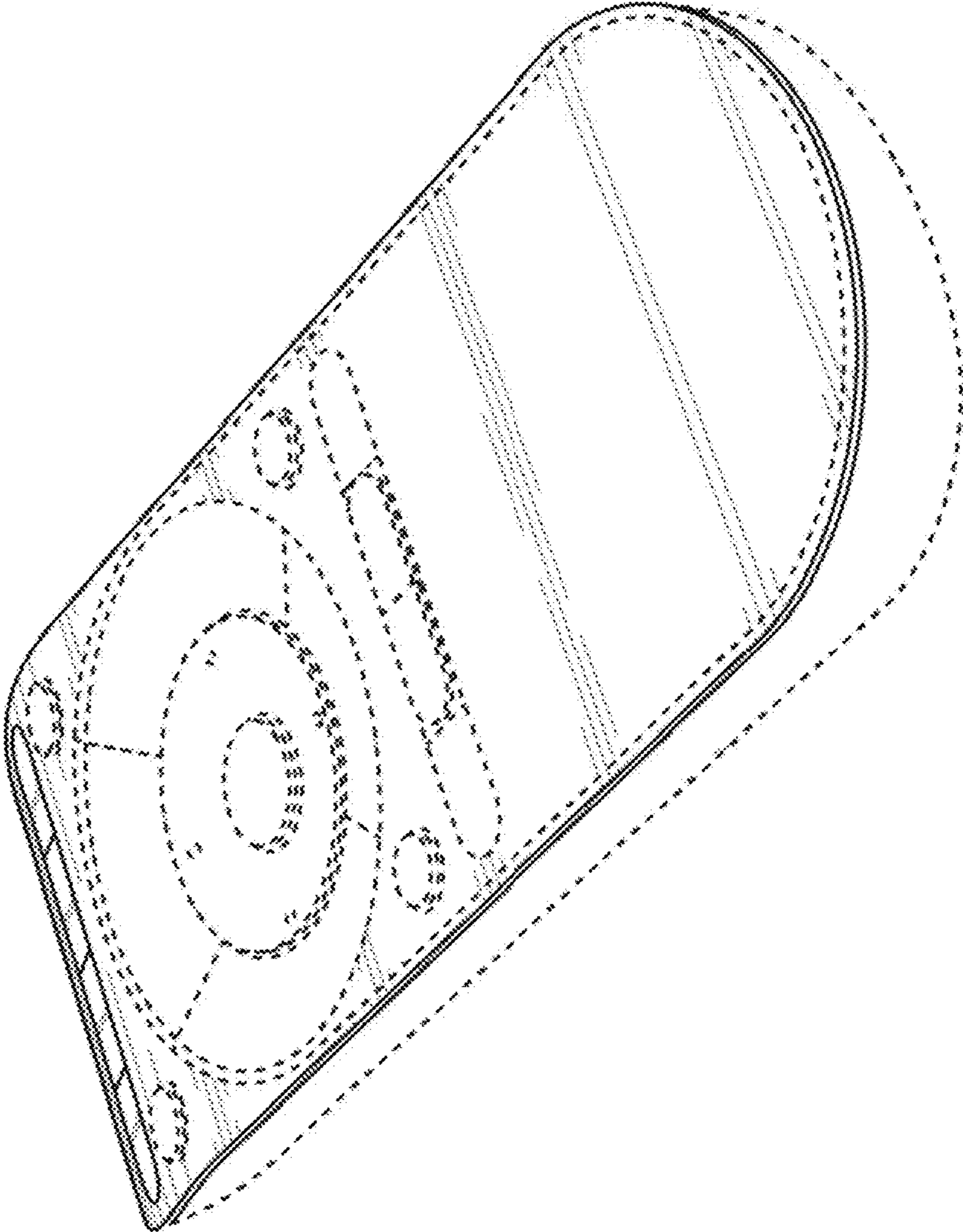


FIG. 1

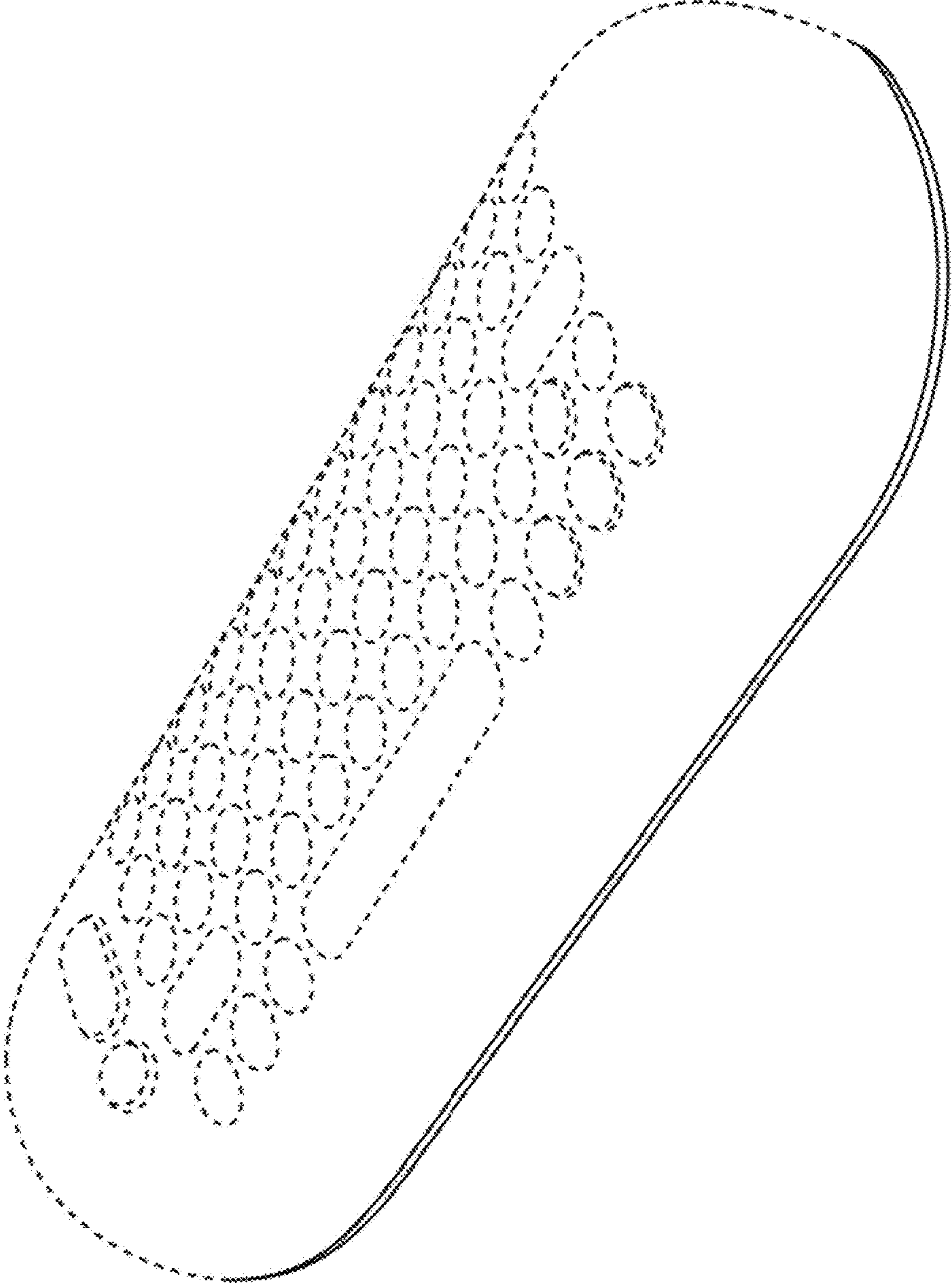


FIG. 2

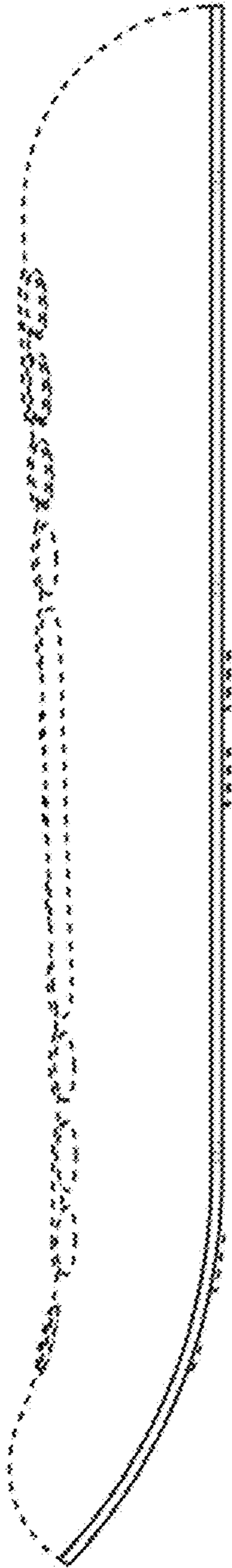


FIG. 3

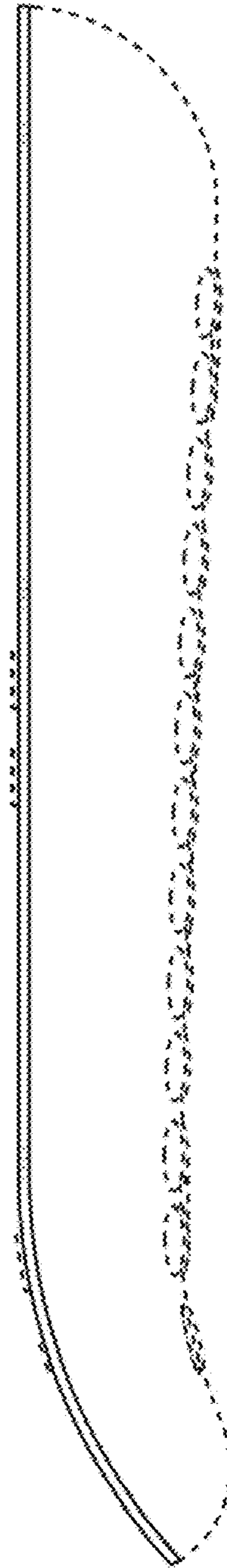


FIG. 4

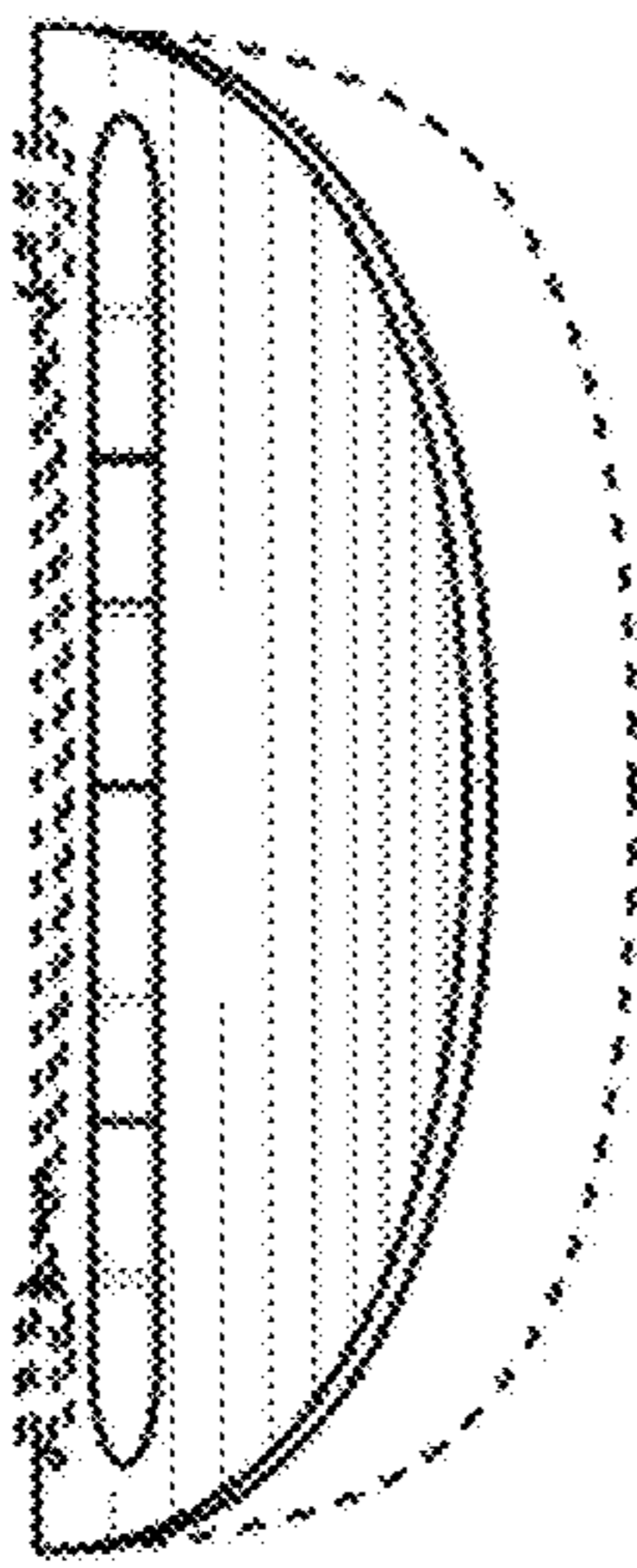


FIG. 5

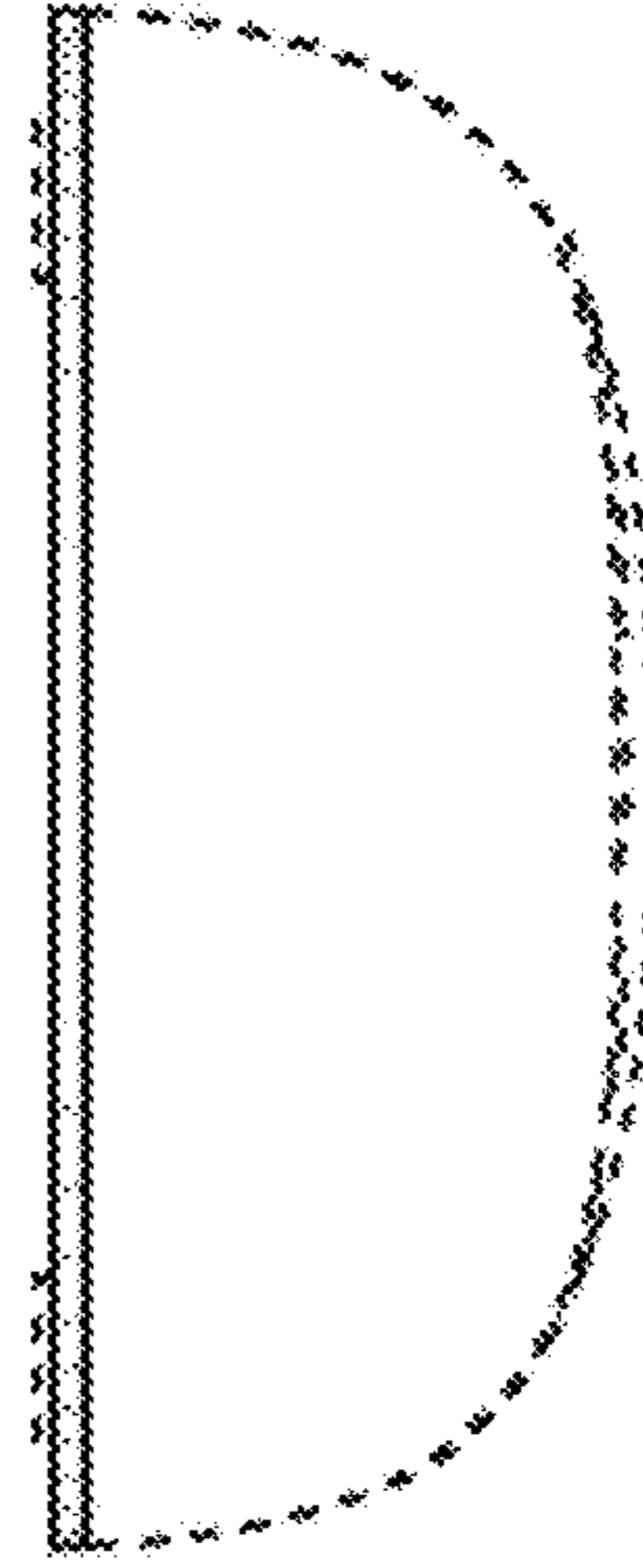


FIG. 6

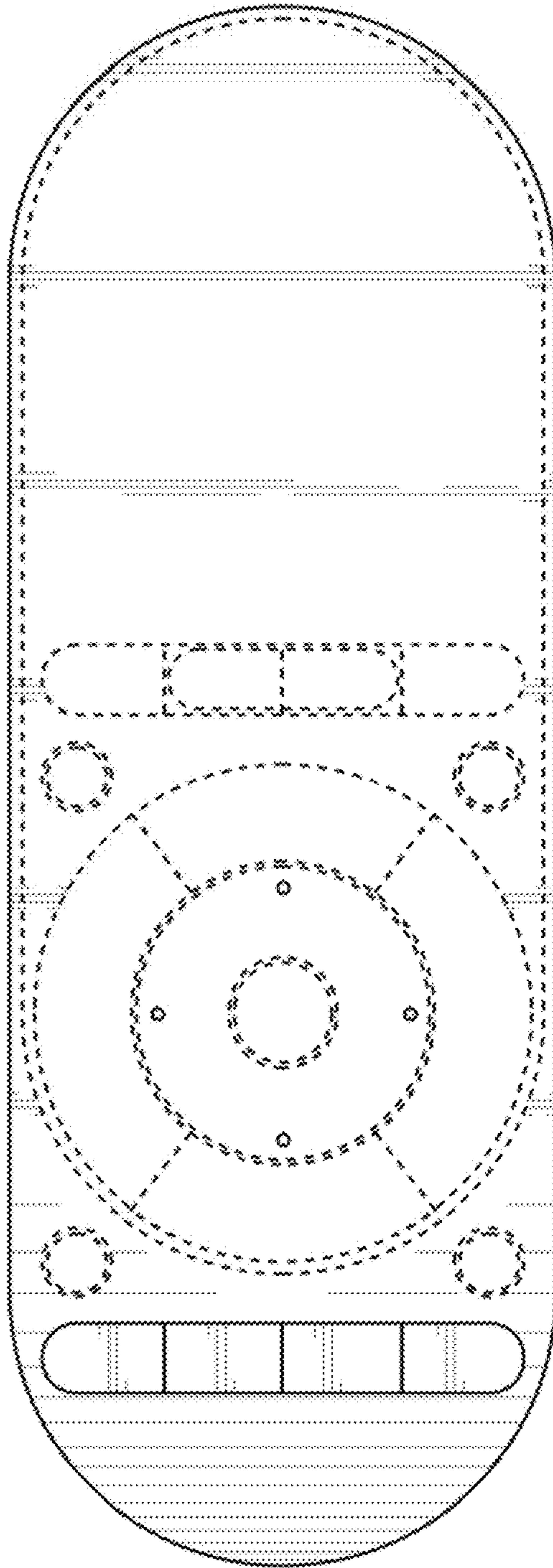


FIG. 7

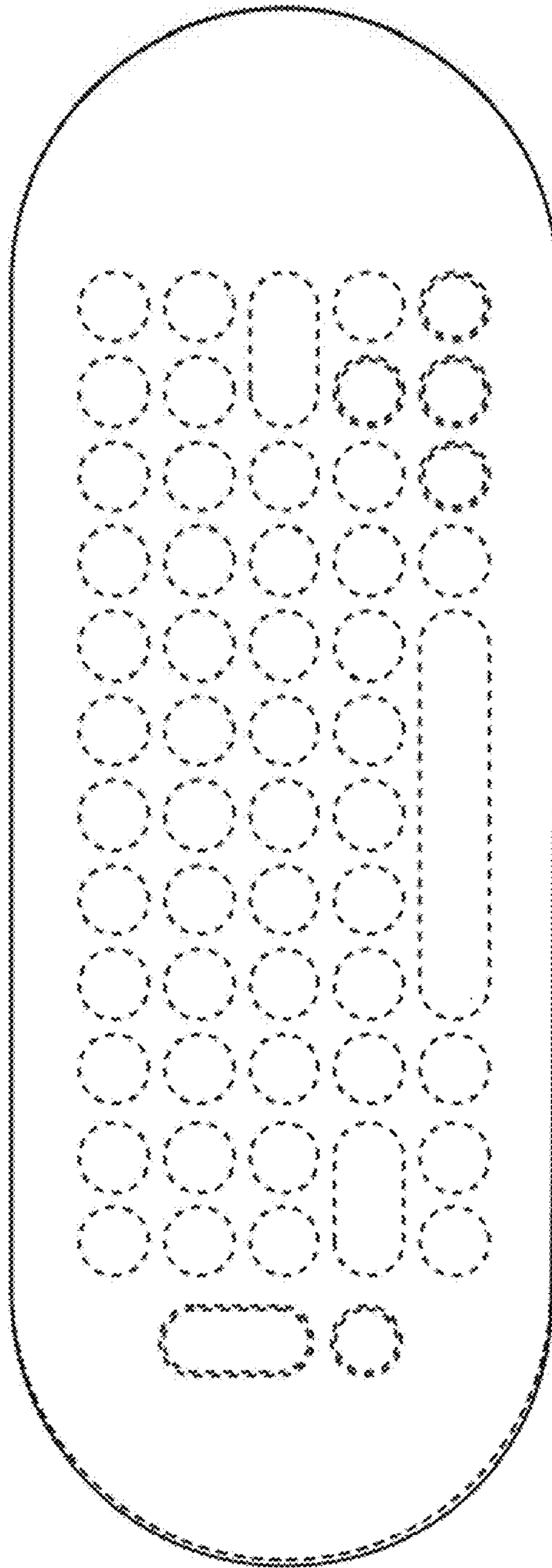


FIG. 8

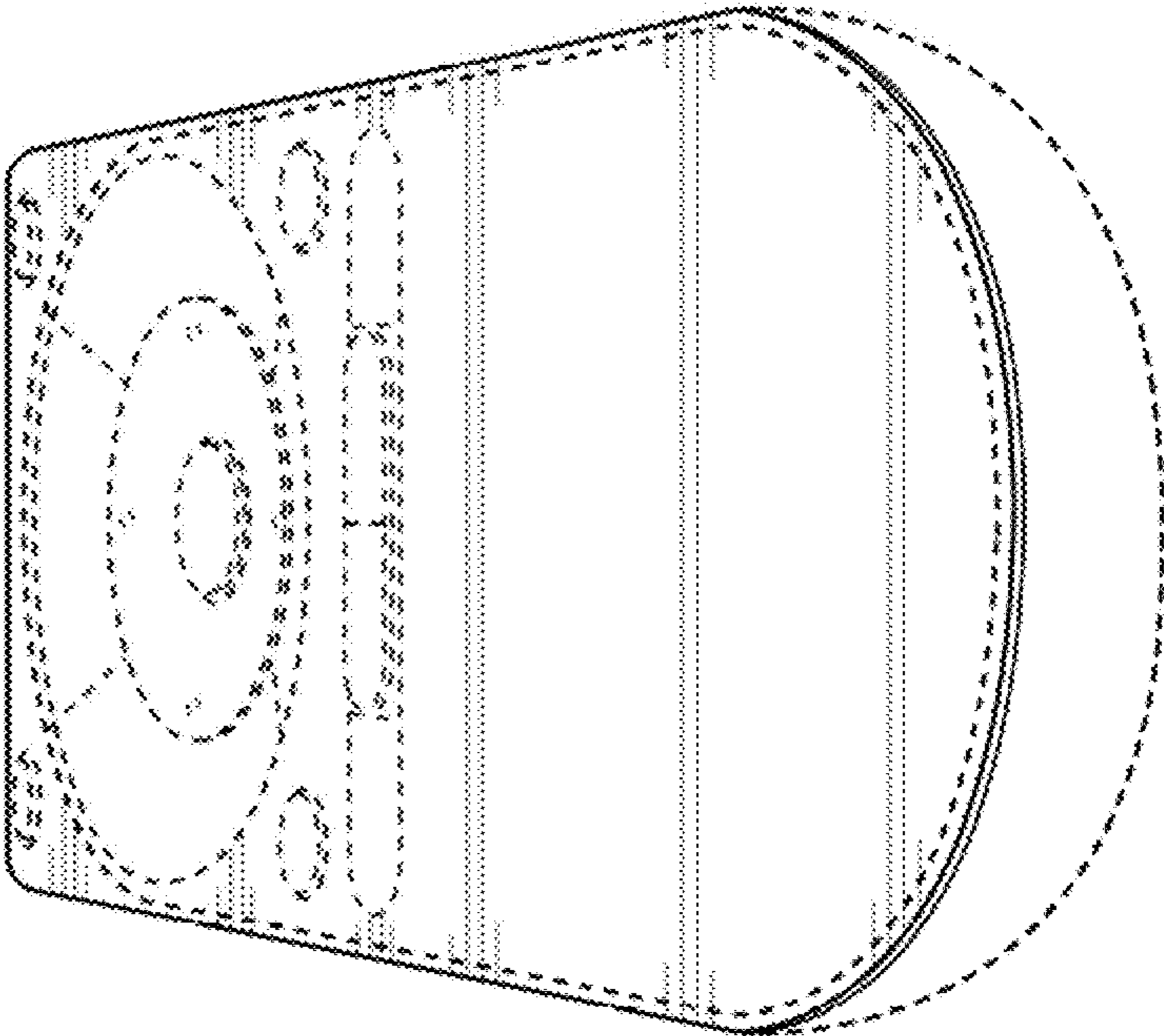


FIG. 9