



US00D775104S

(12) **United States Design Patent**
Lee et al.

(10) **Patent No.:** **US D775,104 S**

(45) **Date of Patent:** **** Dec. 27, 2016**

(54) **HEADPHONES**

(71) Applicant: **Monster, LLC**, Las Vegas, NV (US)

(72) Inventors: **Noel Lee**, Las Vegas, NV (US);
Kendrew Lee, Hong Kong (CN);
Jacky Hsiung, San Jose, CA (US)

(73) Assignee: **Monster LLC**, Las Vegas

(**) Term: **15 Years**

(21) Appl. No.: **29/544,918**

(22) Filed: **Nov. 6, 2015**

(51) **LOC (10) Cl.** **14-01**

(52) **U.S. Cl.**
USPC **D14/205**

(58) **Field of Classification Search**

USPC D14/205, 223; 181/129, 130, 135; 379/430,
379/431; 381/380, 381, 74, 374, 383;
455/90.3, 575.1; D29/112; 2/209
CPC H04R 1/1066; H04R 1/1016; H04R 5/033;
H04R 5/0335; H04R 1/10; H04R 25/00
See application file for complete search history.

(56) **References Cited**

U.S. PATENT DOCUMENTS

4,404,434 A * 9/1983 Pelt H04R 5/0335
2/209
D310,081 S * 8/1990 Daido D14/205
D323,167 S * 1/1992 Yamazaki D14/205
D333,137 S * 2/1993 Burke D14/206
D338,010 S * 8/1993 Yamatogi D14/205
D346,802 S * 5/1994 Sacherman D14/206
D358,389 S * 5/1995 Isono D14/205
5,793,878 A * 8/1998 Chang H04R 5/0335
381/370
D484,485 S * 12/2003 Matsuoka D14/205
7,072,483 B2 * 7/2006 Lenhard-
Backhaus H04R 1/1066
381/370

D534,155 S * 12/2006 Obata D14/205
D534,156 S * 12/2006 Obata D14/205
D540,301 S * 4/2007 Obata D14/205
D593,995 S * 6/2009 Shimizu D14/205
D603,370 S * 11/2009 Suzuki D14/205
D625,705 S * 10/2010 Ohori D14/205
D632,668 S * 2/2011 Brunner D14/205
D637,176 S * 5/2011 Brunner D14/205
D652,406 S * 1/2012 Lee D14/205
D657,344 S * 4/2012 Brunner D14/205
D660,823 S * 5/2012 Hardi D14/205
D660,824 S * 5/2012 Hardi D14/205
D663,716 S * 7/2012 Hardi D14/205
D664,117 S * 7/2012 Tappeiner D14/205
D671,914 S * 12/2012 Lee D14/205
D673,136 S * 12/2012 Kelly D14/205
D673,518 S * 1/2013 Tan D14/205
D673,520 S * 1/2013 Tan D14/205
D677,242 S * 3/2013 Lee D14/205
D677,647 S * 3/2013 Lee D14/205

(Continued)

Primary Examiner — Paula Greene

(74) *Attorney, Agent, or Firm* — John Nielsen; Sentinel IP

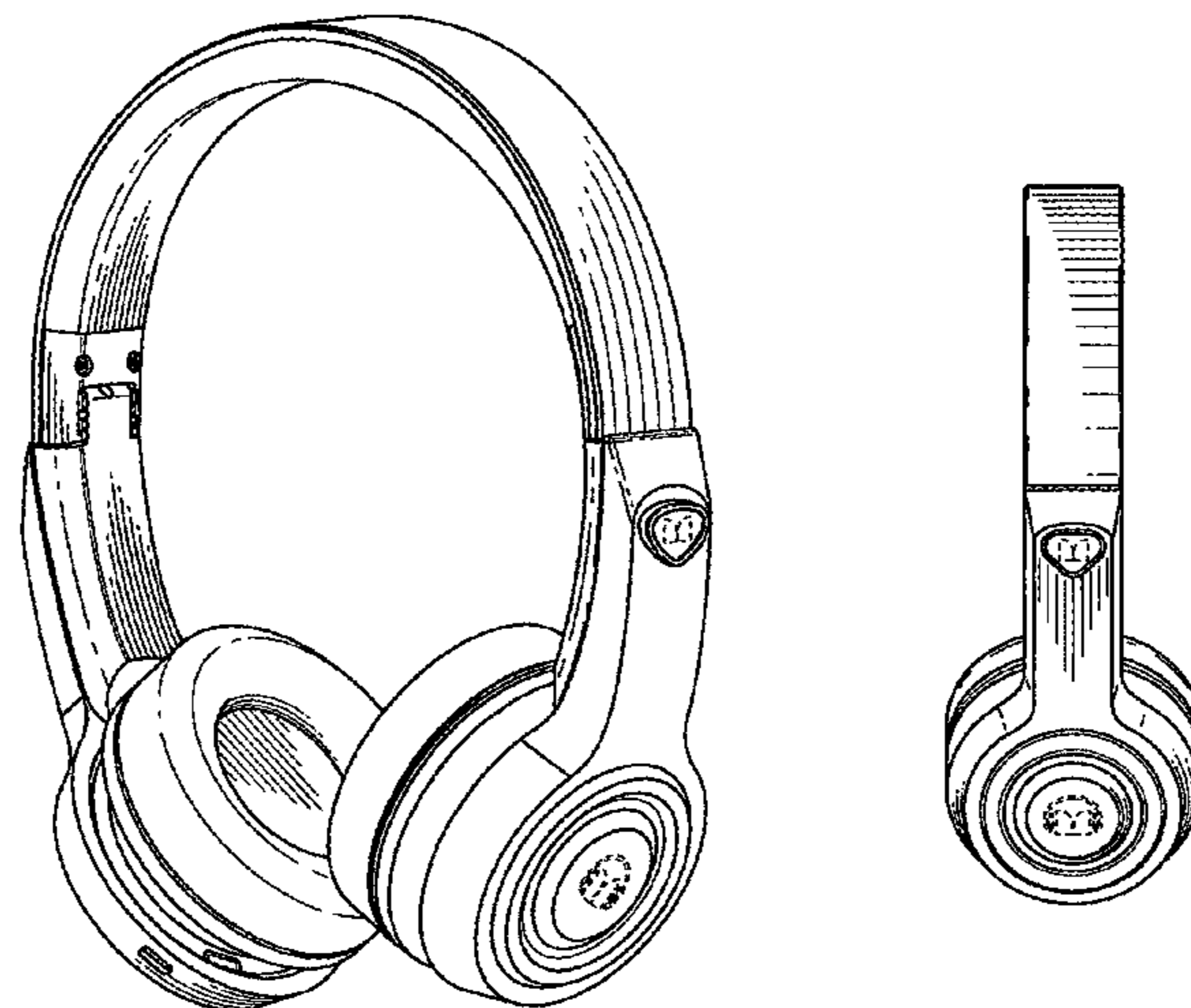
(57) **CLAIM**

The ornamental design for headphones, as shown and described.

DESCRIPTION

FIG. 1 is a perspective view of our headphones, showing the new design;
FIG. 2 is a front view thereof;
FIG. 3 is a rear view thereof;
FIG. 4 is a side view thereof;
FIG. 5 is an opposite side view thereof;
FIG. 6 is a top view thereof; and,
FIG. 7 is a bottom view thereof.
Any broken lines are included for the purpose of illustrating portions of the headphones that form no part of the claim.

1 Claim, 4 Drawing Sheets



(56)

References Cited

U.S. PATENT DOCUMENTS

D678,860	S	*	3/2013	Hagelin	D14/205
D683,329	S	*	5/2013	Hagelin	D14/205
D689,843	S	*	9/2013	Lee	D14/205
D691,579	S	*	10/2013	Lee	D14/205
D696,643	S	*	12/2013	Lee	D14/205
D699,702	S	*	2/2014	Chen	D14/205
D708,163	S	*	7/2014	Ishikura	D14/205
D715,255	S	*	10/2014	Nunez	D14/205
D722,302	S	*	2/2015	Lee	D14/205
D732,503	S	*	6/2015	Brunner	D14/205
D734,296	S	*	7/2015	Paterson	D14/205
2013/0343591	A1	*	12/2013	Brunner	H04R 1/1066 381/371
2015/0326973	A1	*	11/2015	Marrin	G11B 20/10527 381/309

* cited by examiner



FIG. 1



FIG. 2



FIG. 3

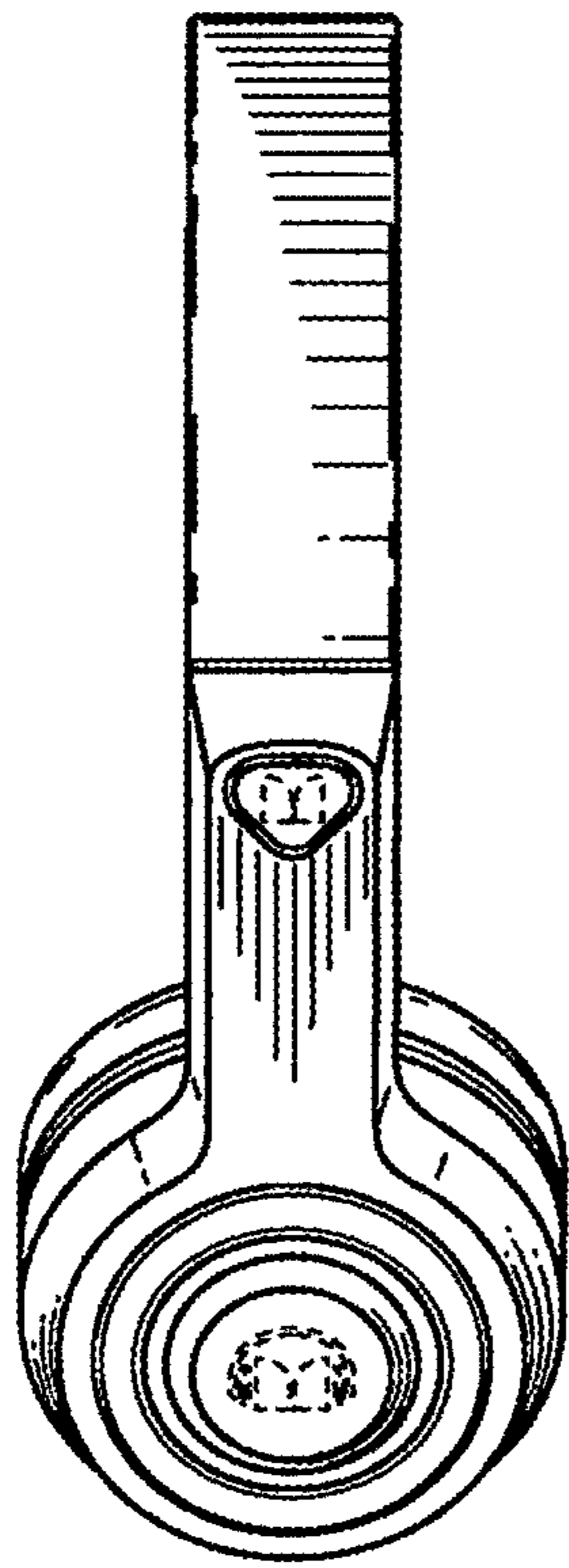


FIG. 4

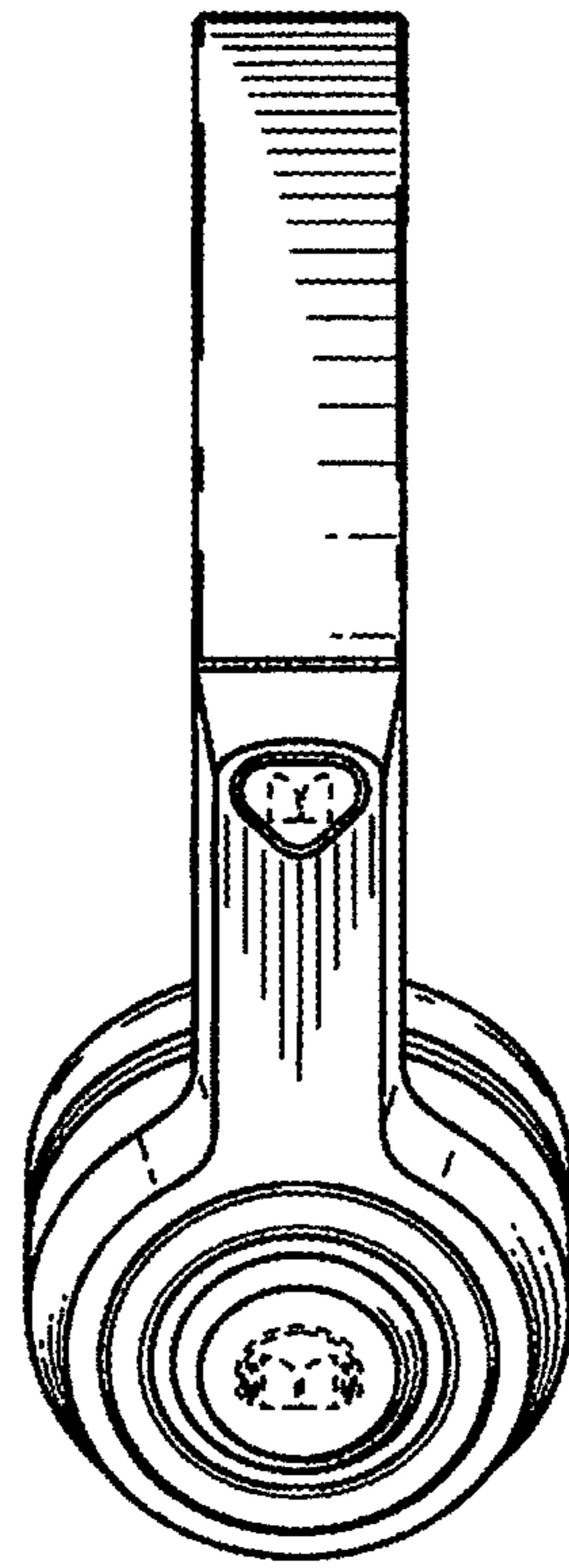


FIG. 5

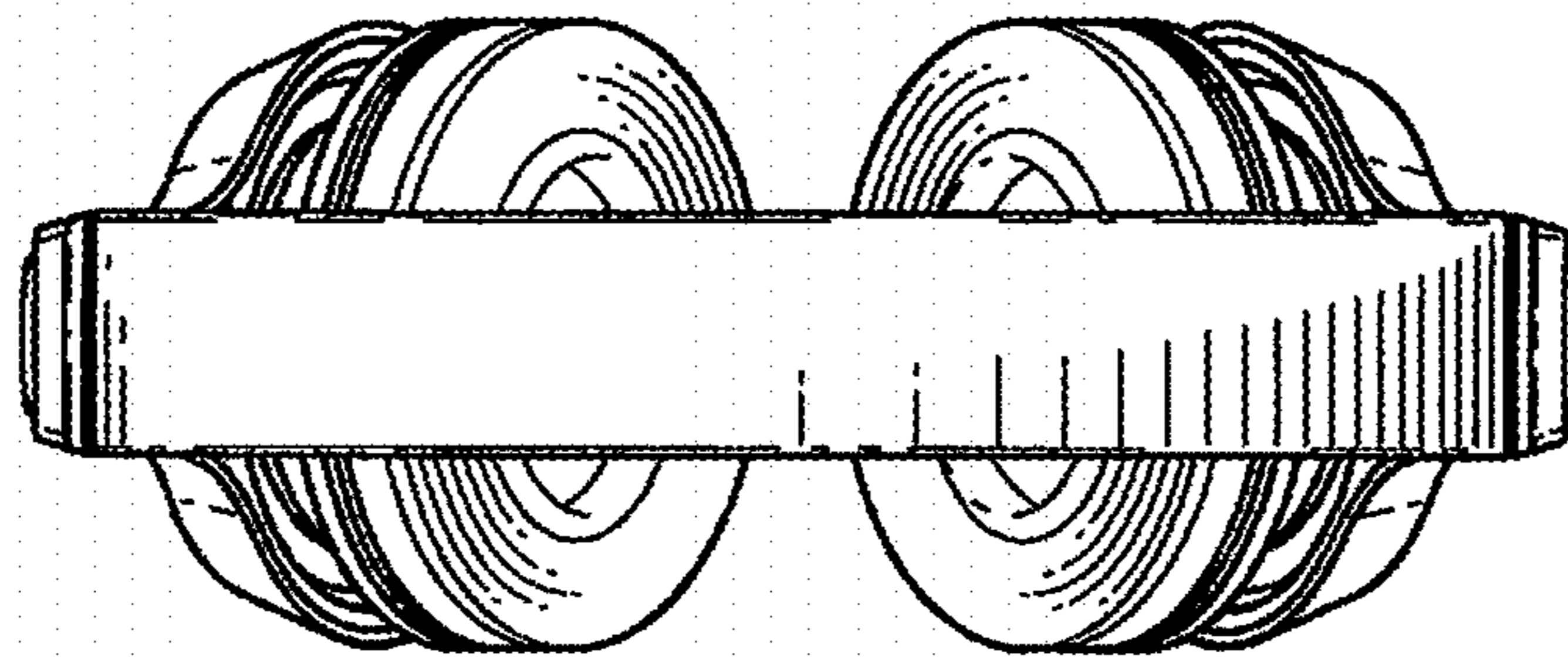


FIG. 6

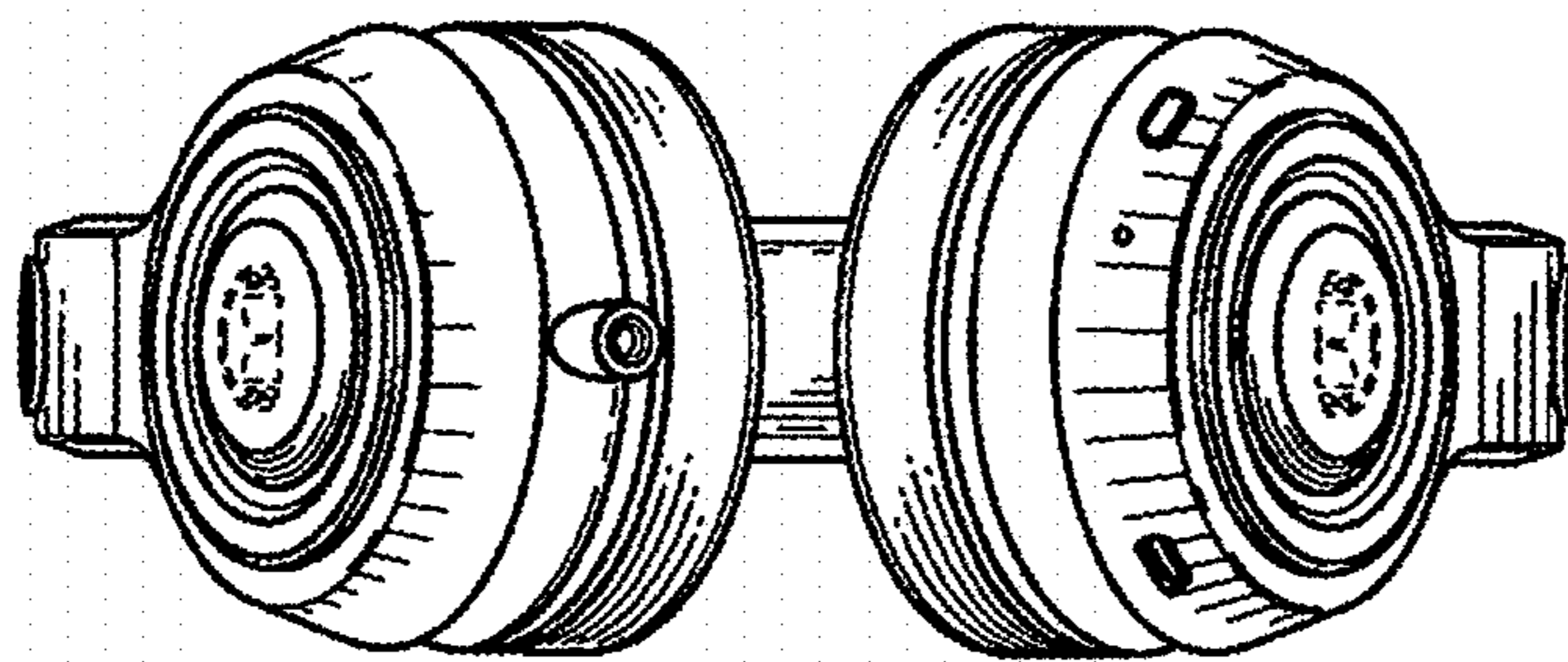


FIG. 7