



US00D775103S

(12) **United States Design Patent** (10) **Patent No.:** **US D775,103 S**
Elder (45) **Date of Patent:** **** Dec. 27, 2016**

(54) **AUDIO SPEAKER CABINET**
(71) Applicant: **Thomas J. Elder**, Portland, OR (US)
(72) Inventor: **Thomas J. Elder**, Portland, OR (US)
(**) Term: **15 Years**
(21) Appl. No.: **29/528,002**
(22) Filed: **May 24, 2015**
(51) **LOC (10) Cl.** **14-01**
(52) **U.S. Cl.**
USPC **D14/204**
(58) **Field of Classification Search**
USPC D14/167, 168, 170–172, 188, 204, 209.1,
D14/210–216, 219, 221, 222, 224;
181/144, 148, 153, 157, 198; 369/6–12;
381/301–303, 306, 332, 334, 336, 345,
381/361–363, 386–388
CPC G06F 1/1688; H04R 1/02; H04R 1/025;
H04R 1/026; H04R 1/323; H04R 1/403;
H04R 1/2803; H04R 1/2834; H04R 5/02;
H04R 9/06
See application file for complete search history.

D507,559 S * 7/2005 Sitoh D14/211
D552,083 S * 10/2007 Reawsanguanwong D14/214
D580,411 S * 11/2008 Omori D14/215
D595,263 S * 6/2009 Jiang D14/204
D611,453 S * 3/2010 Park D14/211
D634,302 S * 3/2011 Chung D14/211
D672,751 S * 12/2012 Davies D14/204

* cited by examiner

Primary Examiner — Ian Simmons
Assistant Examiner — Janice Lim
(74) *Attorney, Agent, or Firm* — Mersenne Law

(57) **CLAIM**

The ornamental design for an audio speaker cabinet, as shown and described.

DESCRIPTION

FIG. 1 is a front perspective view of an audio speaker cabinet, showing my new design.
FIG. 2 shows a rear perspective view thereof.
FIG. 3 is a front view thereof.
FIG. 4 is a rear view thereof.
FIG. 5 is a right side view thereof, and the left side view being a mirror image thereof; and,
FIG. 6 is a top plan view thereof.
The broken line portions show unclaimed subject matter only and form no part of the claimed design.

1 Claim, 4 Drawing Sheets

(56) **References Cited**
U.S. PATENT DOCUMENTS
D424,059 S * 5/2000 Coleman D14/214
D485,258 S * 1/2004 Allen D14/215

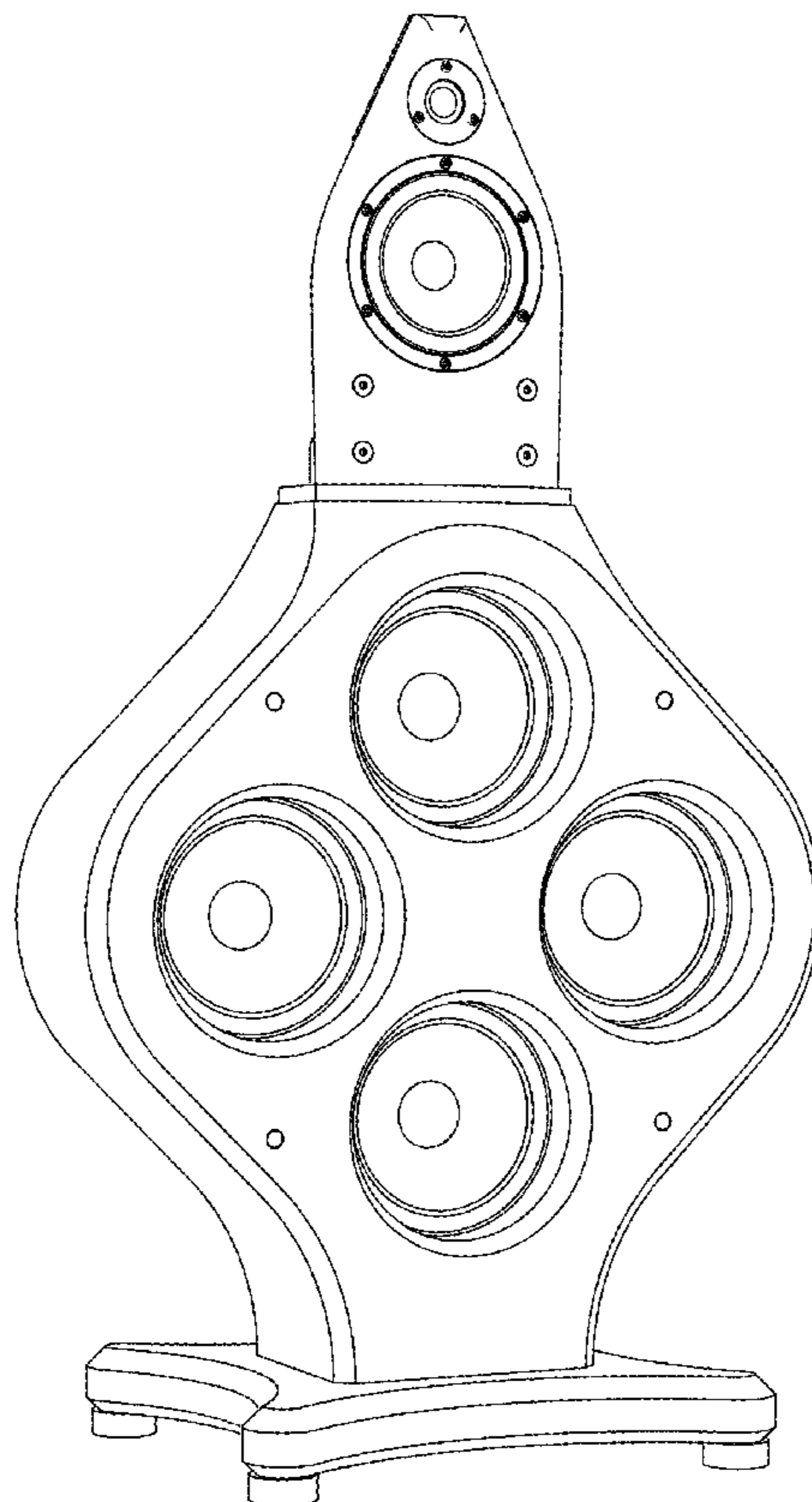


Fig. 1

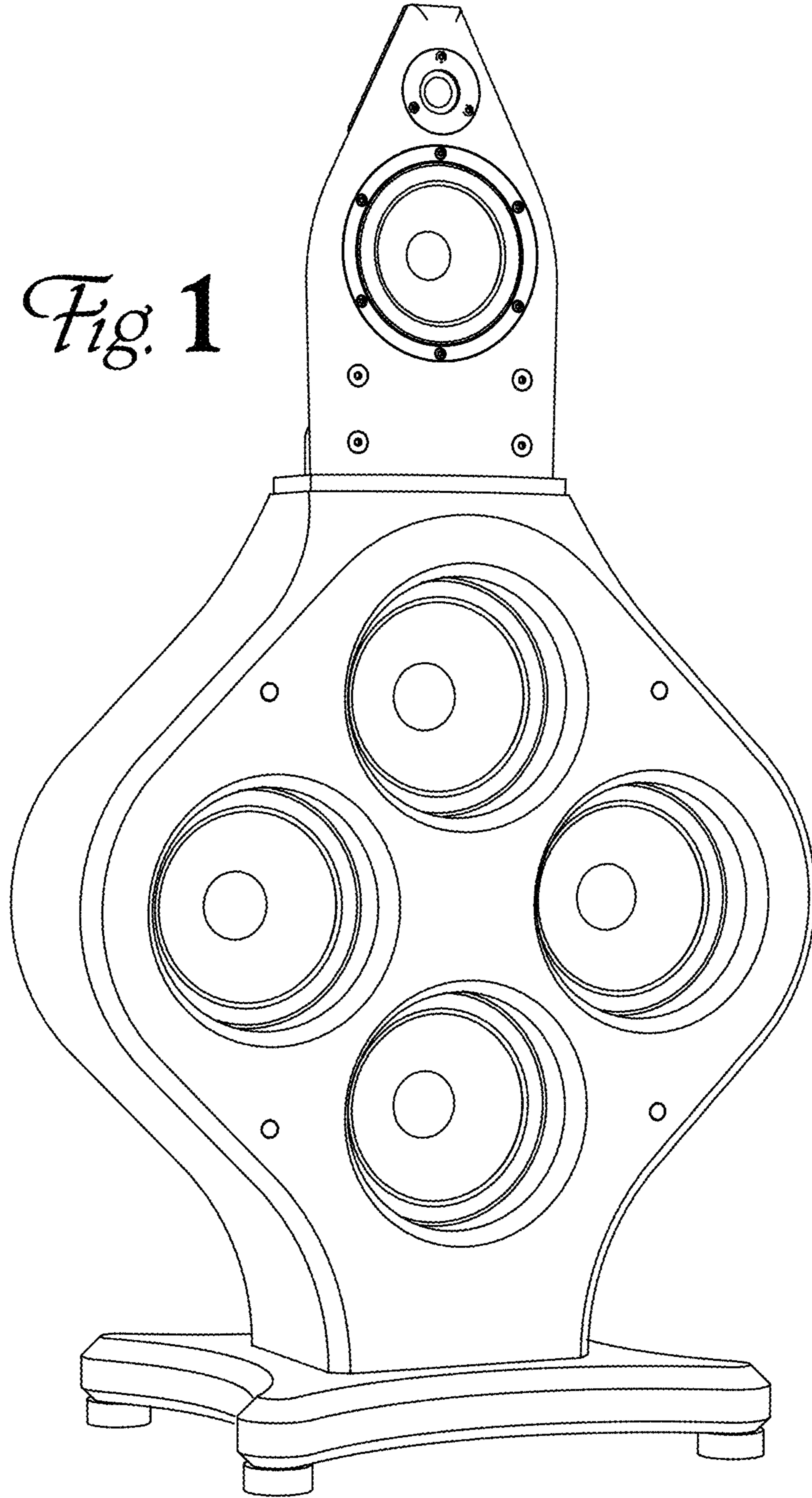
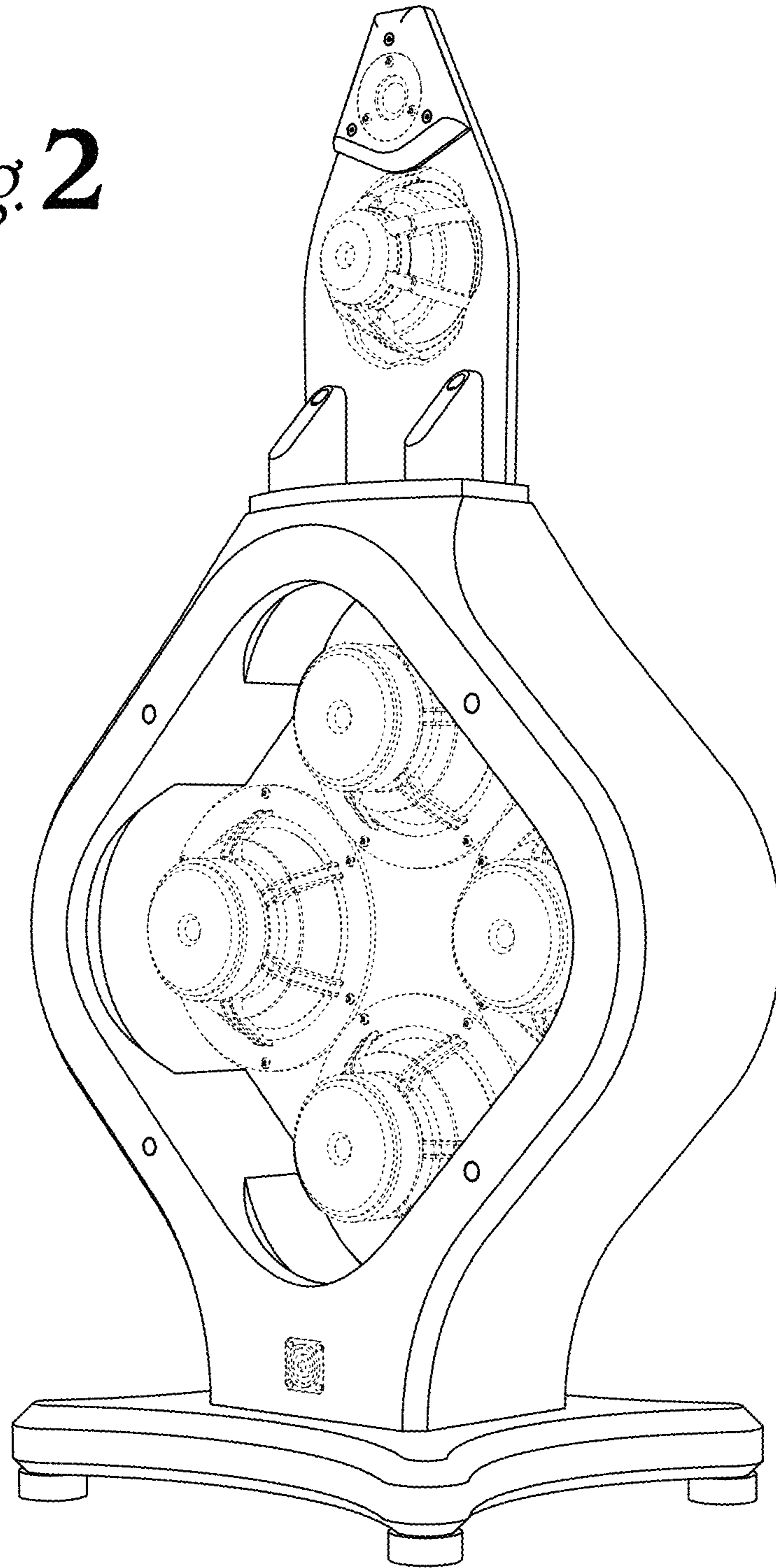


Fig. 2



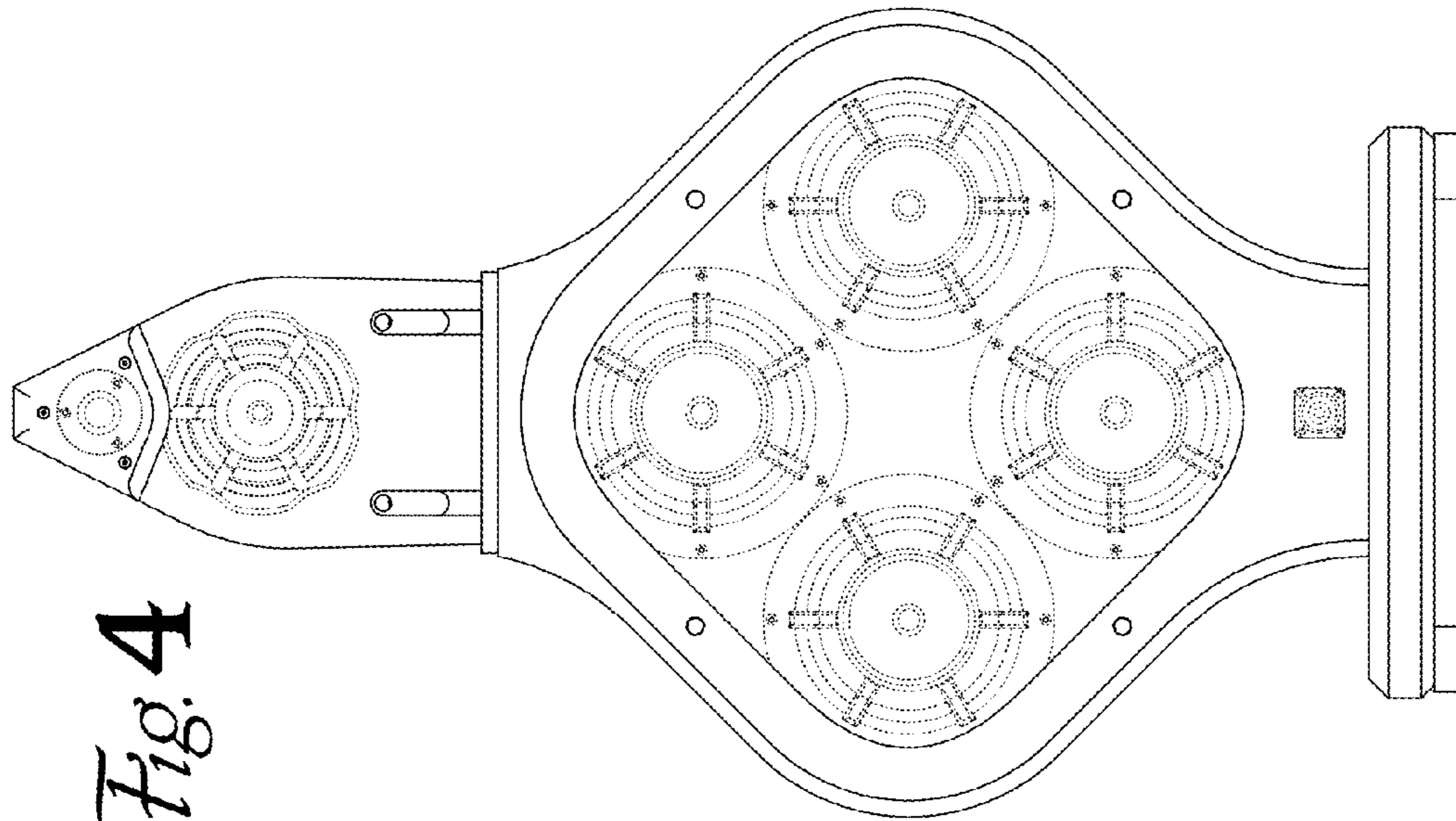


Fig. 4

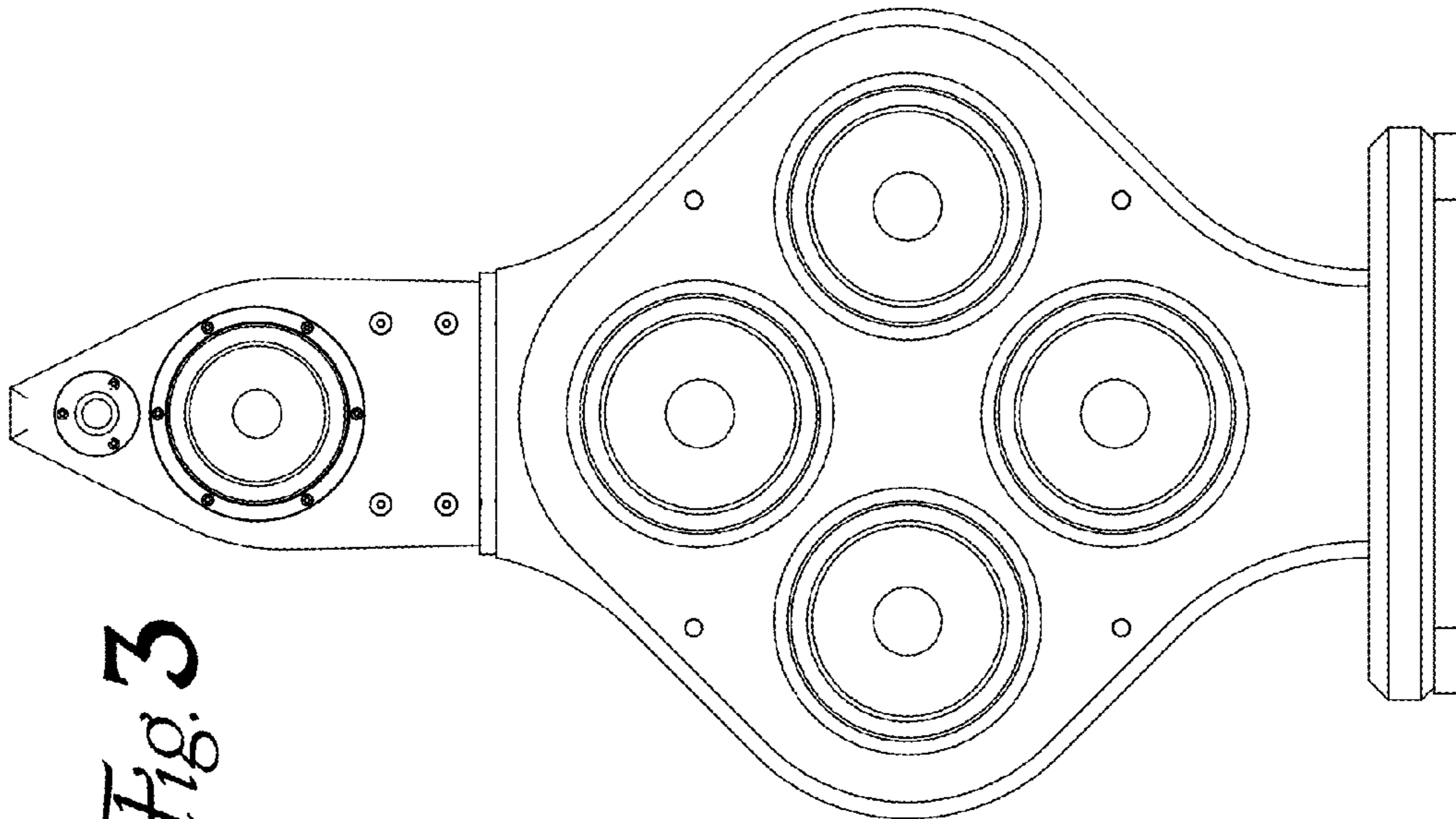


Fig. 3

Fig. 5

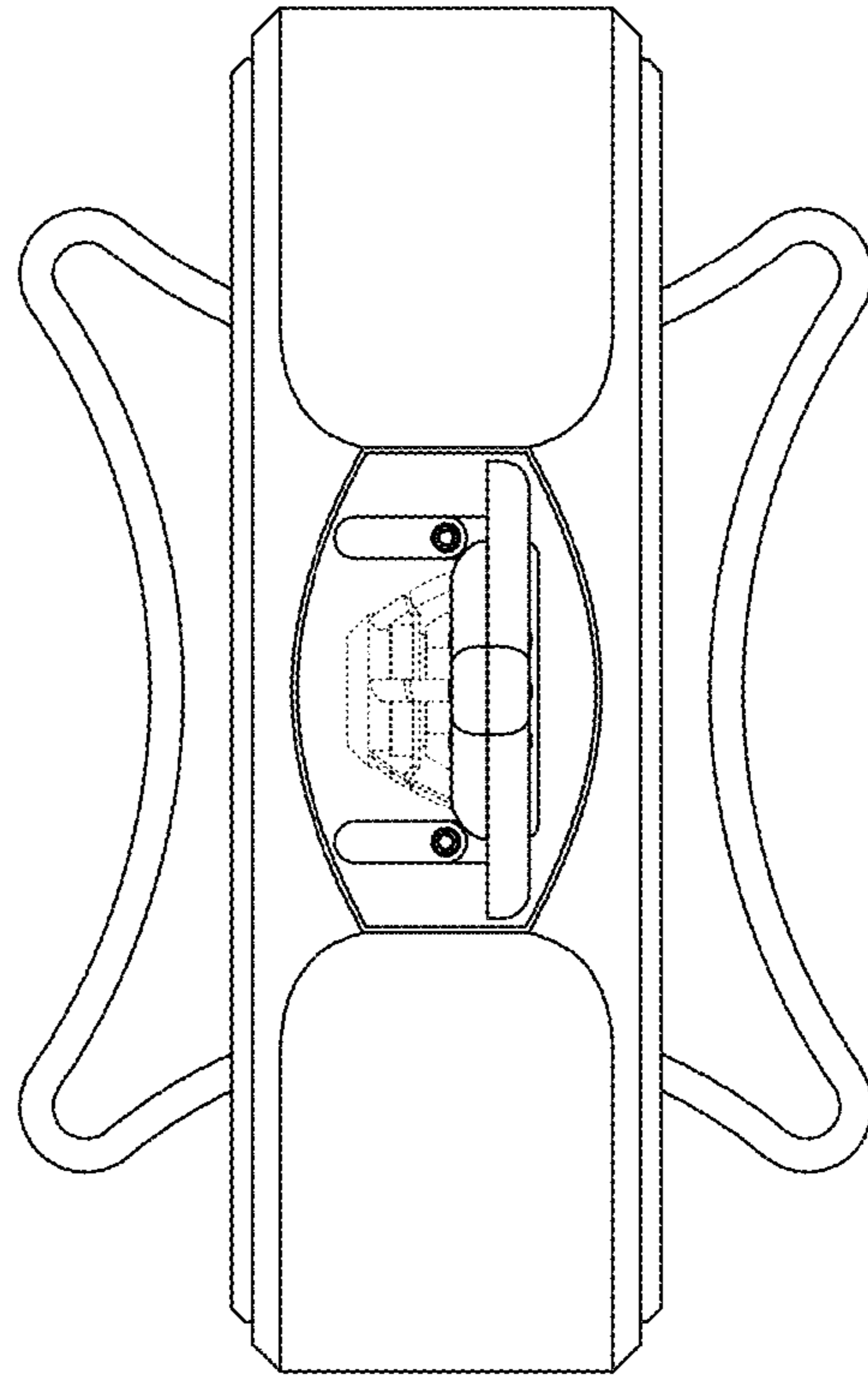
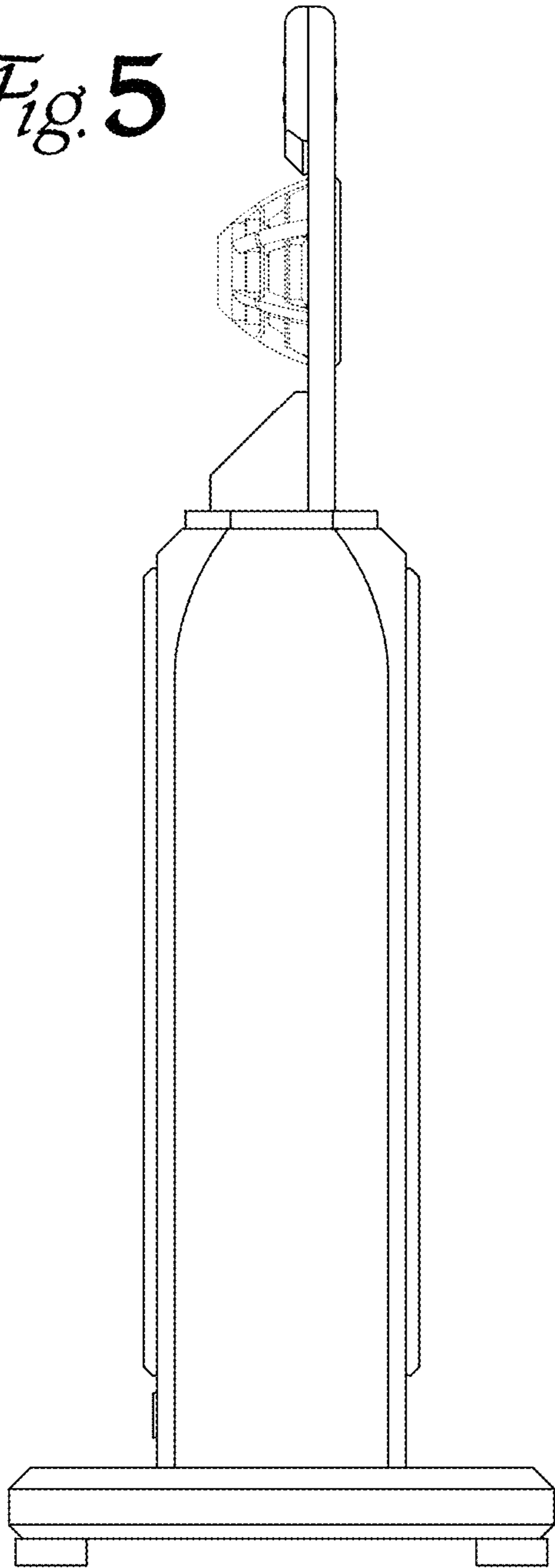


Fig. 6