



US00D775100S

(12) **United States Design Patent**
Teruyama

(10) **Patent No.:** **US D775,100 S**

(45) **Date of Patent:** **** Dec. 27, 2016**

(54) **PORTABLE TERMINAL**

(71) Applicant: **KYOCERA Corporation**, Kyoto-shi,
Kyoto (JP)

(72) Inventor: **Kosuke Teruyama**, Yokohama (JP)

(73) Assignee: **KYOCERA Corporation**, Kyoto-shi,
Kyoto (JP)

(**) Term: **14 Years**

(21) Appl. No.: **29/520,341**

(22) Filed: **Mar. 13, 2015**

(30) **Foreign Application Priority Data**

Feb. 20, 2015 (JP) 2015-003501

(51) **LOC (10) Cl.** **14-03**

(52) **U.S. Cl.**
USPC **D14/138 G**

(58) **Field of Classification Search**
USPC D14/138 R, 138 AA, 138 AB, 138 AC,
D14/138 AD, 138 G, 248, 341-347
CPC H04M 1/0202; H04M 1/0235; H04M
1/0237; H04M 1/0239; H04M 2250/52
See application file for complete search history.

(56) **References Cited**

U.S. PATENT DOCUMENTS

- D531,177 S * 10/2006 Okanoya D14/346
- D576,598 S * 9/2008 Lim D14/138 AA
- D602,456 S * 10/2009 Aithal D14/138 AA
- D610,110 S * 2/2010 Lee D14/138 AA
- D618,648 S * 6/2010 Bang D14/138 AA
- D641,354 S * 7/2011 Hsu D14/341
- D643,006 S * 8/2011 Han D14/138 G
- D654,049 S * 2/2012 Chung D14/138 G

- D687,806 S * 8/2013 Hachiya D14/138 G
- D693,322 S * 11/2013 Jeong D14/138 AA
- D694,751 S * 12/2013 Ju D14/341
- D694,752 S * 12/2013 Li D14/341
- D711,346 S * 8/2014 Ismail D14/137
- D716,249 S * 10/2014 Zhang D14/138 G
- D716,294 S * 10/2014 Park D14/341
- D719,565 S * 12/2014 Hirayama D14/341
- D721,348 S * 1/2015 Plaschke D14/138 AA
- D734,748 S * 7/2015 Chen D14/341
- D734,749 S * 7/2015 Chen D14/341
- D743,392 S * 11/2015 Ju D14/341

OTHER PUBLICATIONS

catphones.com, Retrieved on Mar. 12, 2015, from URL: <http://www.catphones.com/phones/s50-smartphone/>.

samsung.com, Retrieved on Mar. 12, 2015, from URL: http://www.samsung.com/t/galaxys5_active/.

* cited by examiner

Primary Examiner — Deanna L Pratt

(74) *Attorney, Agent, or Firm* — Kenja IP Law PC

(57) **CLAIM**

The ornamental design for a portable terminal, as shown and described.

DESCRIPTION

FIG. 1 is a front perspective view of a portable terminal showing my new design;
 FIG. 2 is a rear perspective view thereof;
 FIG. 3 is a front view thereof;
 FIG. 4 is a rear view thereof;
 FIG. 5 is a top plan view thereof;
 FIG. 6 is a bottom view thereof;
 FIG. 7 is a right side view thereof; and,
 FIG. 8 is a left side view thereof.

1 Claim, 8 Drawing Sheets

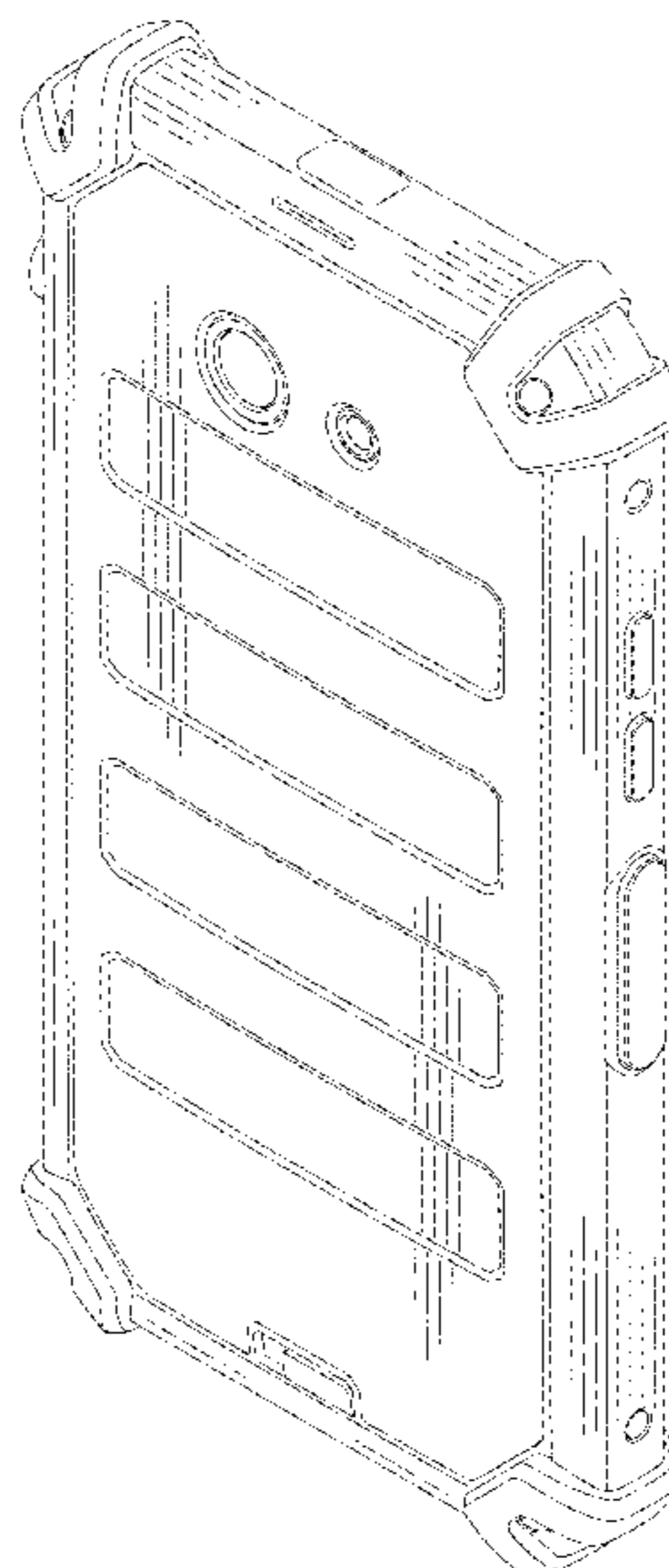
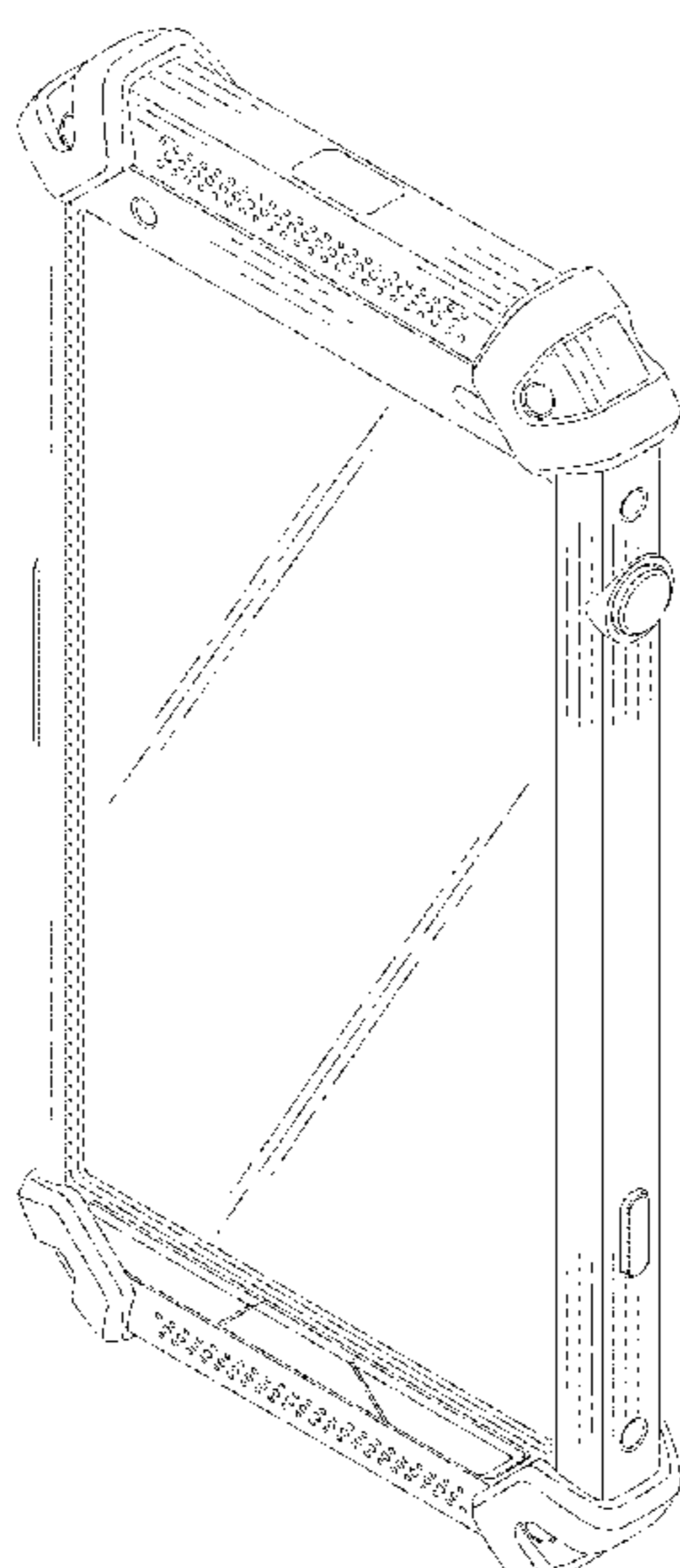


FIG. 1

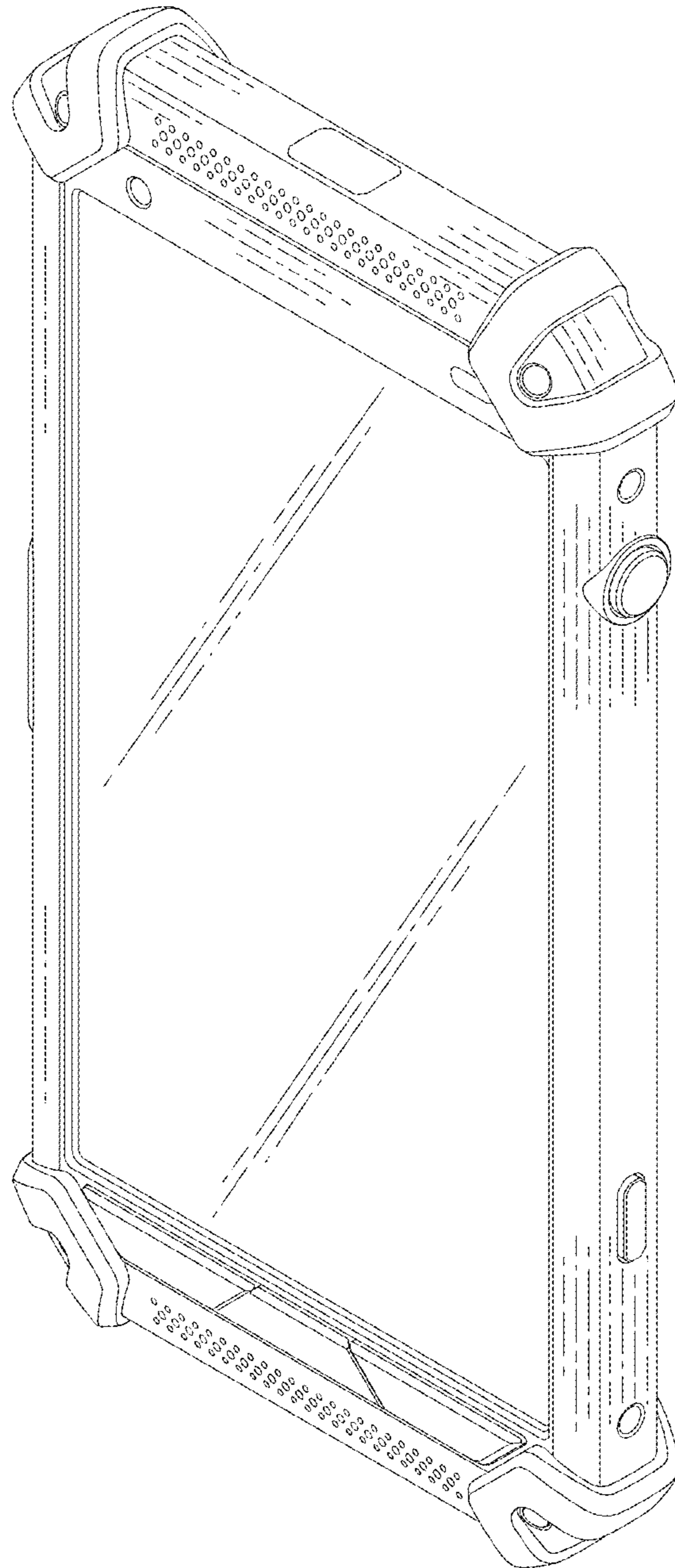


FIG. 2

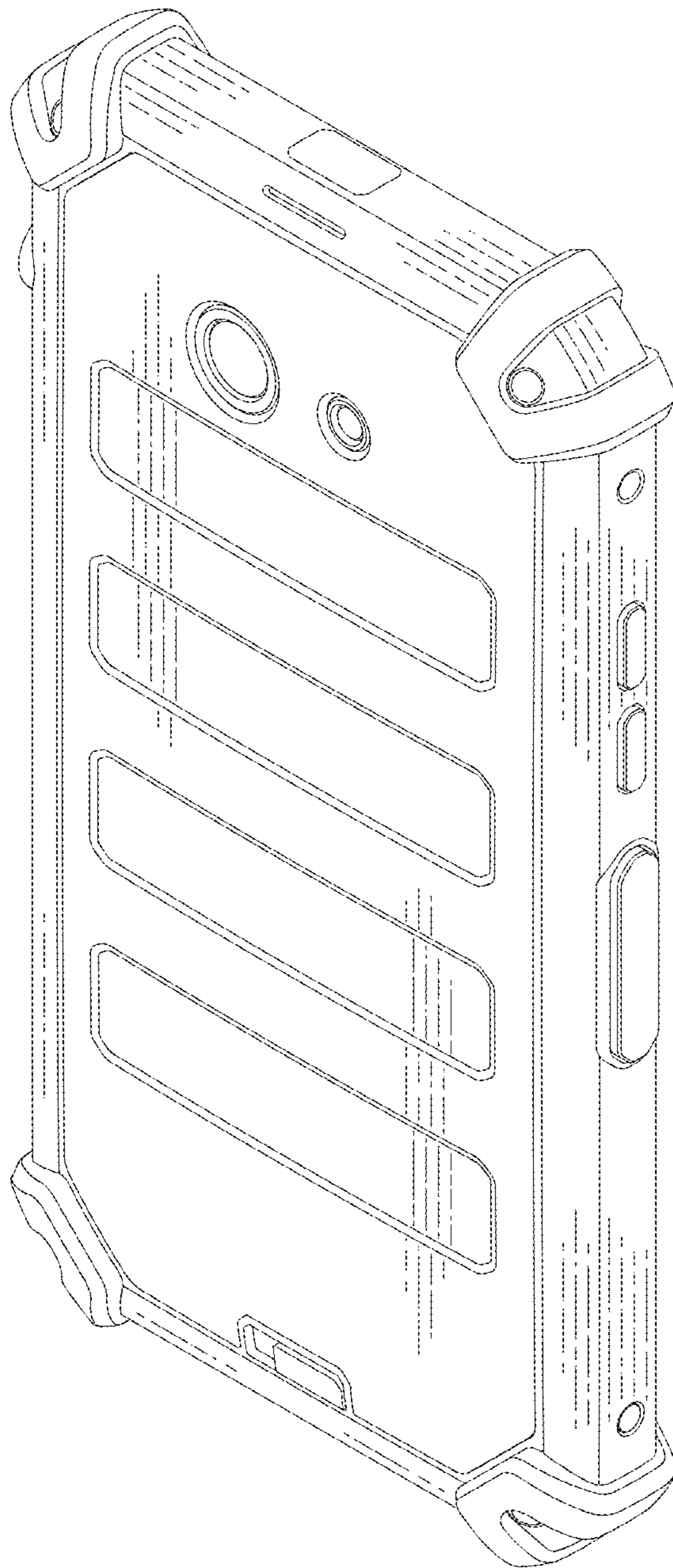


FIG. 3

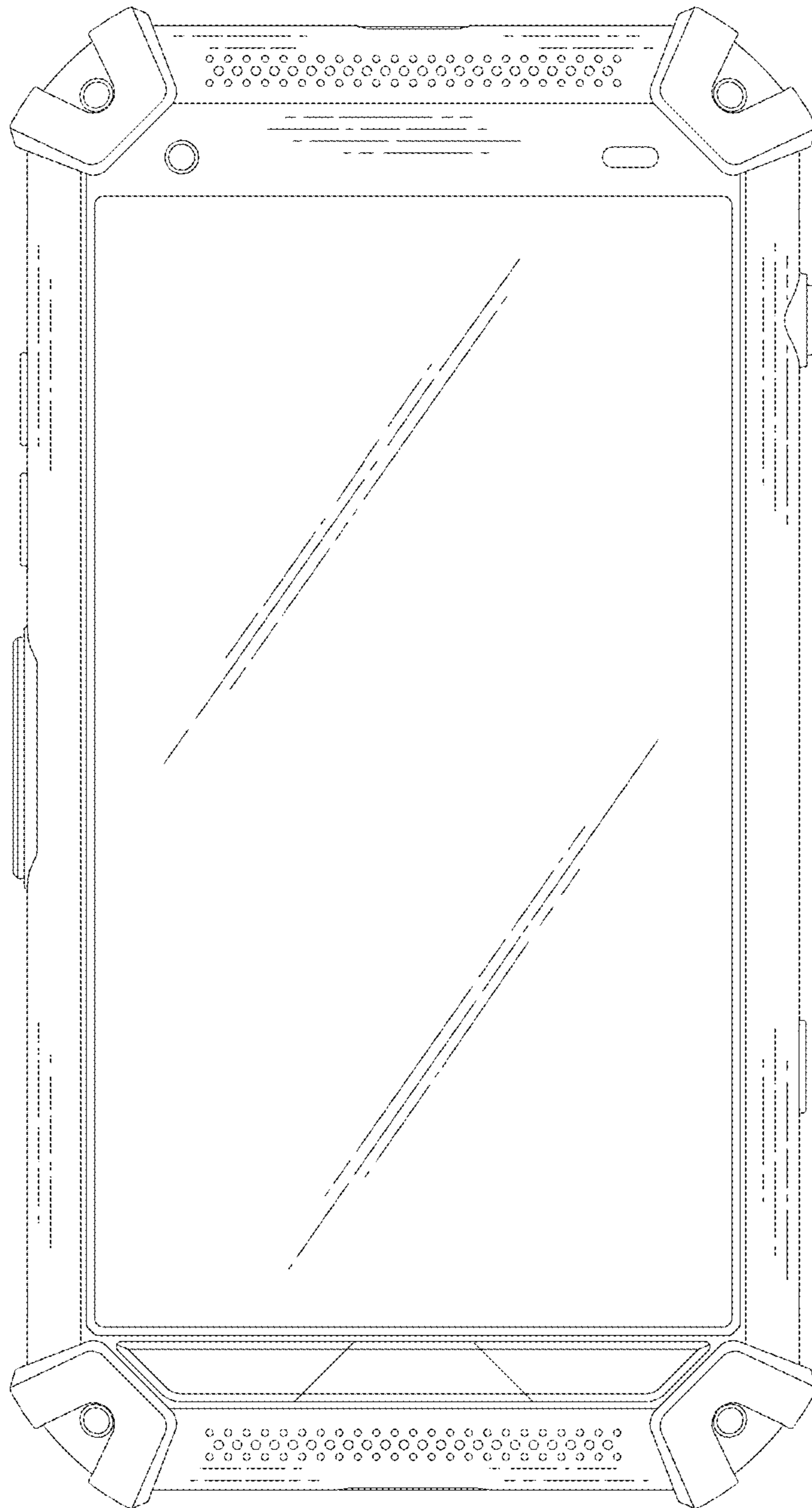


FIG. 4

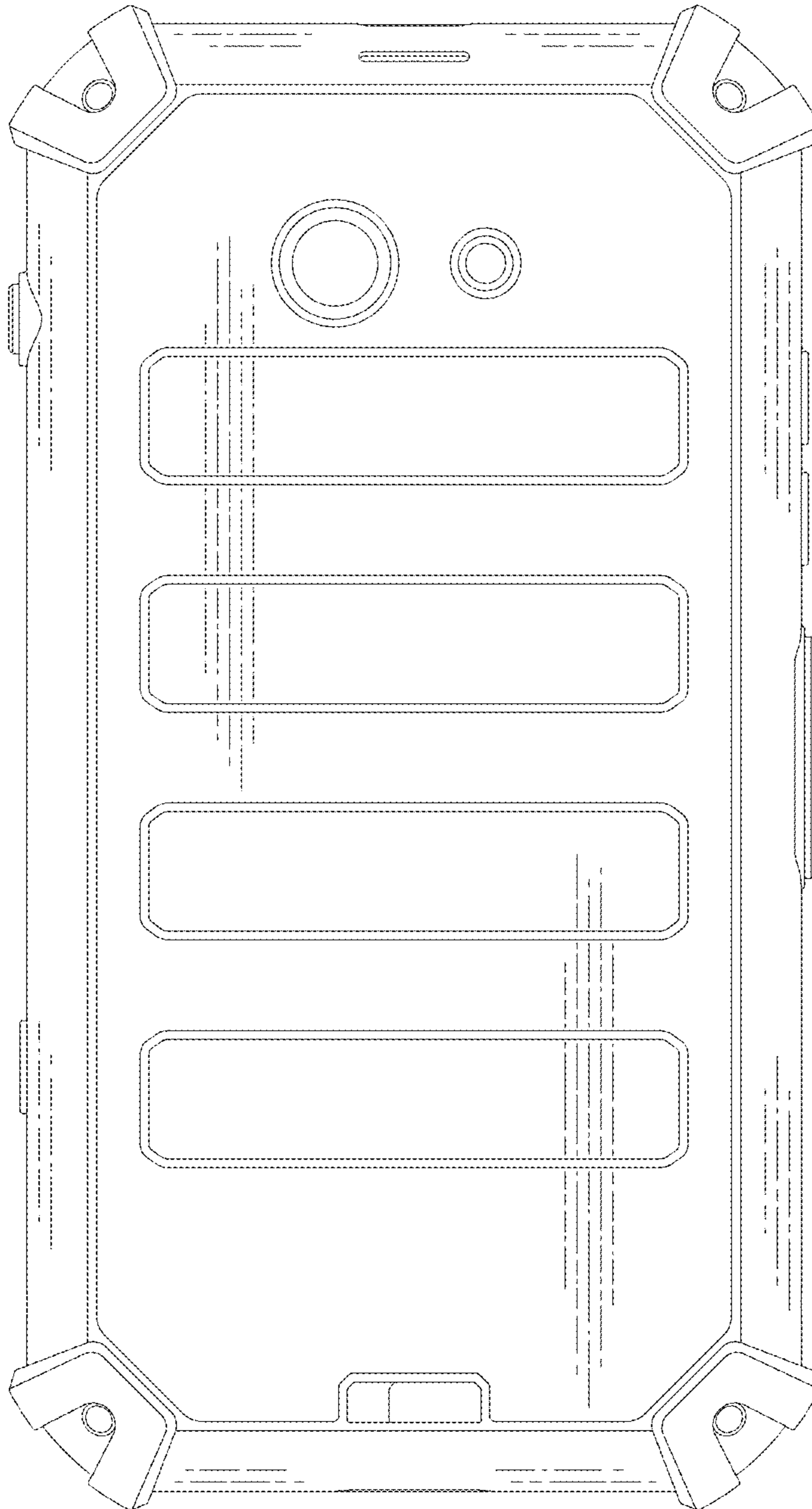


FIG. 5

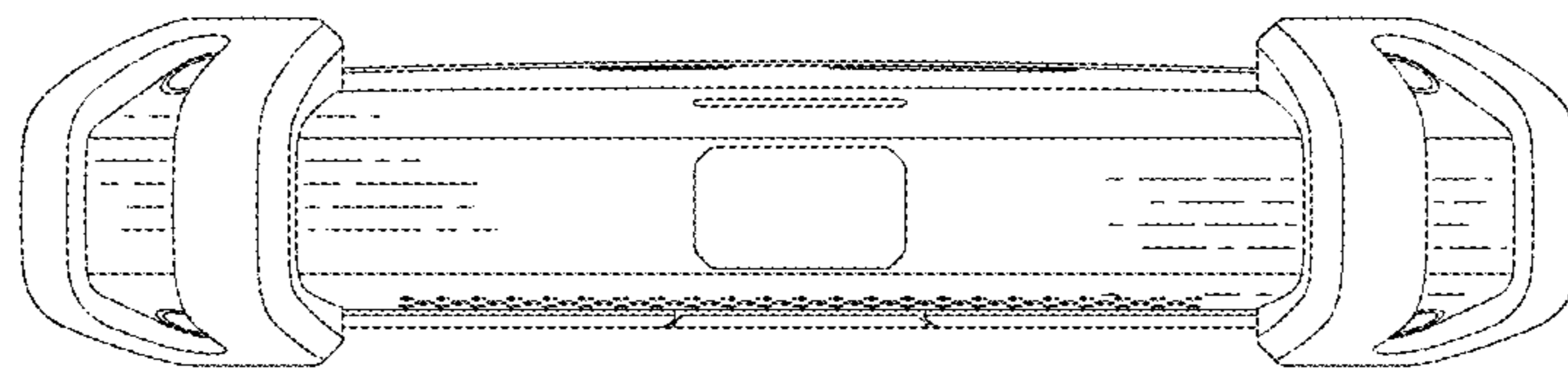


FIG. 6

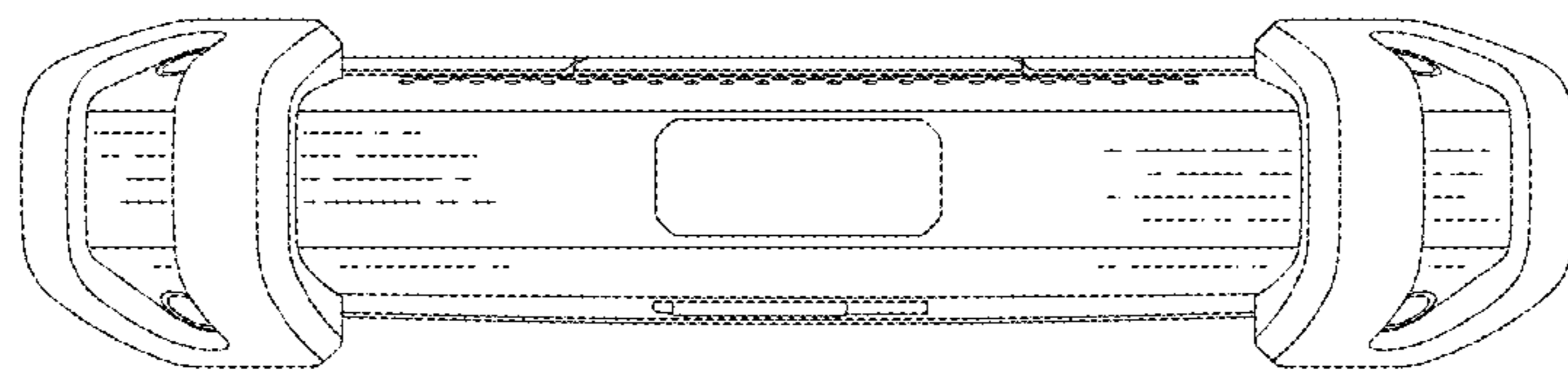


FIG. 7

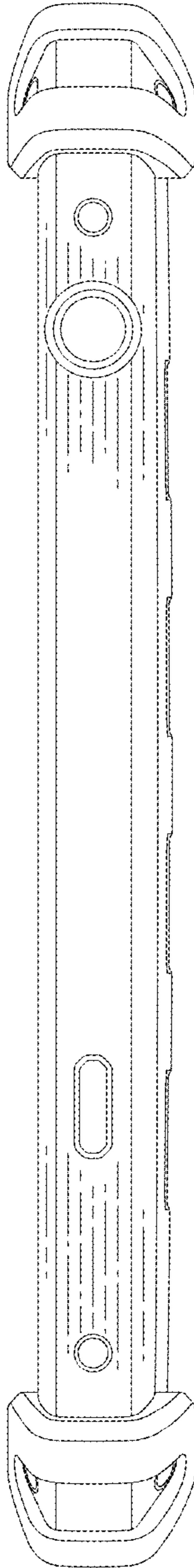


FIG. 8

