



US00D775099S

(12) **United States Design Patent**  
**Higashide**

(10) **Patent No.:** **US D775,099 S**

(45) **Date of Patent:** **\*\* Dec. 27, 2016**

(54) **PORTABLE TERMINAL**

(71) Applicant: **KYOCERA Corporation**, Kyoto-shi,  
Kyoto (JP)

(72) Inventor: **Takashi Higashide**, Kawasaki (JP)

(73) Assignee: **KYOCERA Corporation**, Kyoto-shi,  
Kyoto (JP)

(\*\*) Term: **14 Years**

(21) Appl. No.: **29/520,336**

(22) Filed: **Mar. 13, 2015**

(30) **Foreign Application Priority Data**

Feb. 20, 2015 (JP) ..... 2015-003500

(51) **LOC (10) Cl.** ..... **14-03**

(52) **U.S. Cl.**  
USPC ..... **D14/138 G**

(58) **Field of Classification Search**  
USPC ..... D14/138 R, 138 AA, 138 AB, 138 AC,  
D14/138 AD, 138 G, 248, 341-347  
CPC H04M 1/0202; H04M 1/0235; H04M 1/0237;  
H04M 1/0239; H04M 2250/52  
See application file for complete search history.

(56) **References Cited**

**U.S. PATENT DOCUMENTS**

D576,598 S \* 9/2008 Lim ..... D14/138 AA  
D643,006 S \* 8/2011 Han ..... D14/138 G  
D677,231 S \* 3/2013 Behling ..... D14/138 G  
D683,338 S \* 5/2013 Wilson ..... D14/250  
D685,754 S \* 7/2013 Palmer ..... D14/138 G  
D687,004 S \* 7/2013 Behling ..... D14/138 G  
D687,806 S \* 8/2013 Hachiya ..... D14/138 G  
D688,219 S \* 8/2013 Ikezu ..... D14/138 G  
D693,322 S \* 11/2013 Jeong ..... D14/138 AA

D703,661 S \* 4/2014 Krause ..... D14/341  
D715,245 S \* 10/2014 Meneses ..... D14/138 G  
D716,249 S \* 10/2014 Zhang ..... D14/138 G  
D720,346 S \* 12/2014 Davis ..... D14/341  
D723,499 S \* 3/2015 Nishikawa ..... D14/138 G  
D734,748 S \* 7/2015 Chen ..... D14/341  
D734,749 S \* 7/2015 Chen ..... D14/341  
D752,006 S \* 3/2016 Plaschke ..... D14/138 G  
D760,216 S \* 6/2016 Krause ..... D14/341

**OTHER PUBLICATIONS**

sonimtech.ca, Retrieved on Mar. 12, 2015, from URL: <http://www.sonimtech.ca/xp7/xp7.php>.  
au.kddi.com, Retrieved on Mar. 12, 2015, from URL: <http://www.au.kddi.com/mobile/product/archive/smartphone/dp/cal21/>.  
casiogzone.com, Retrieved on Mar. 12, 2015, from URL: <http://www.casiogzone.com/us/commando/>.  
motorola.com, Retrieved on Mar. 12, 2015, from URL: <http://www.motorola.com/us/smartphones/droid-turbo/droid-turbo-pdp.html>.

\* cited by examiner

*Primary Examiner* — Deanna L Pratt  
(74) *Attorney, Agent, or Firm* — Kenja IP Law PC

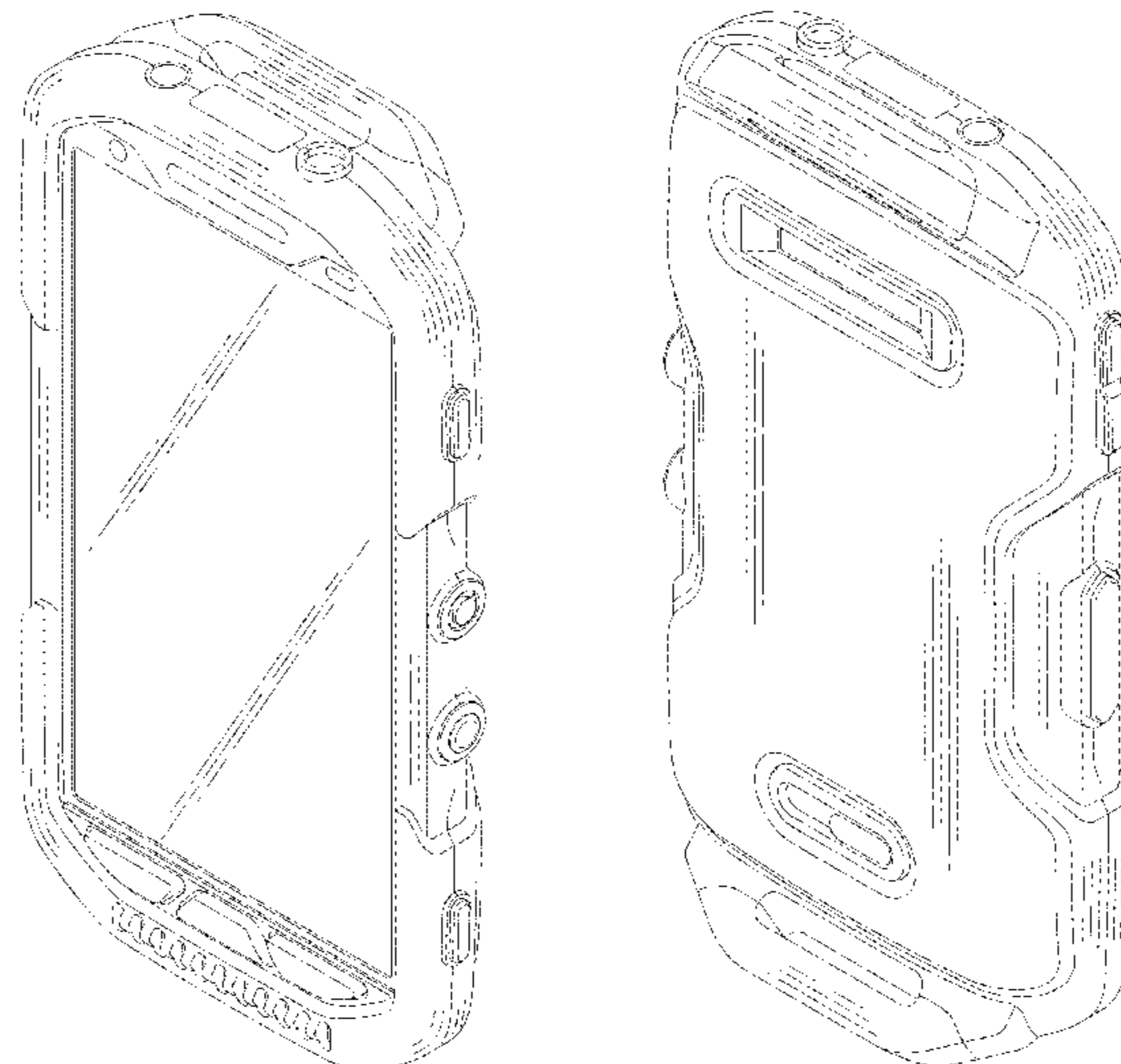
(57) **CLAIM**

The ornamental design for a portable terminal, as shown and described.

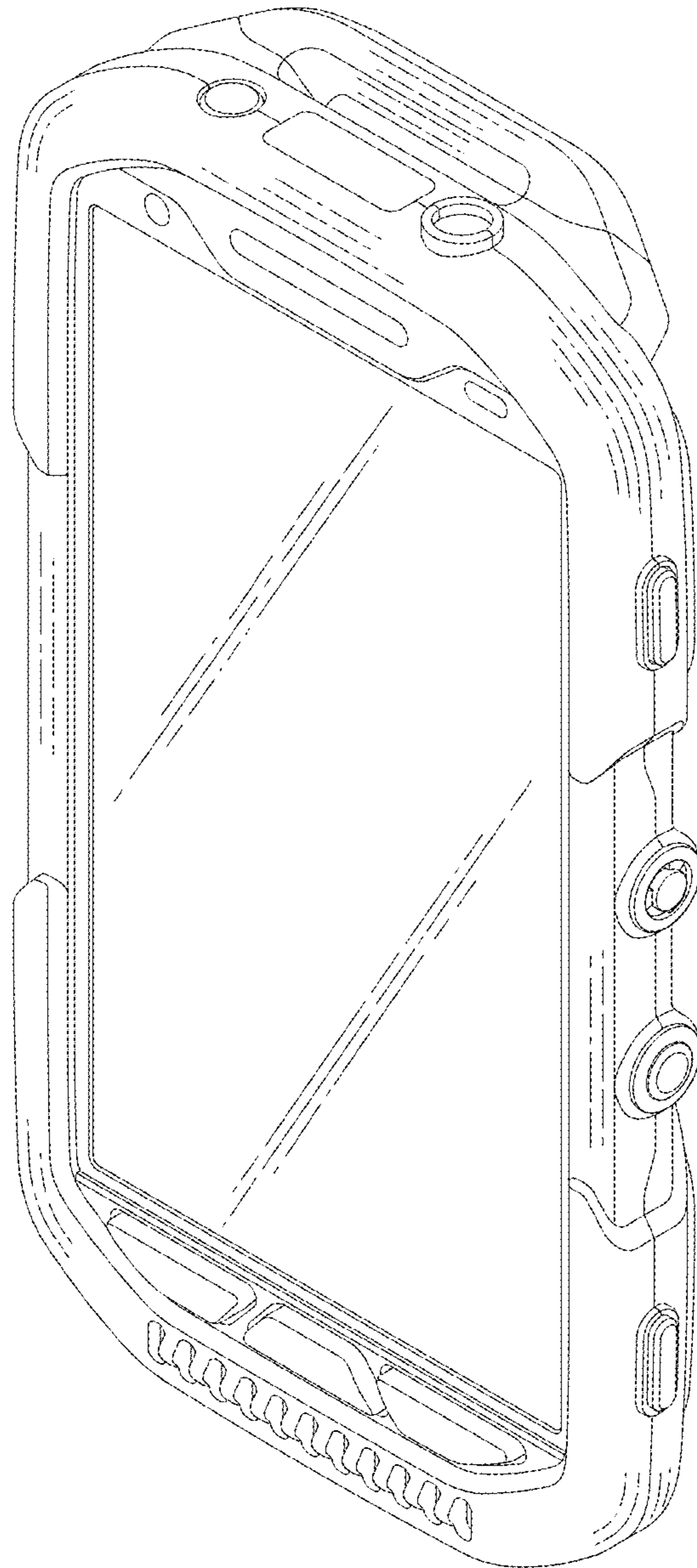
**DESCRIPTION**

FIG. 1 is a front perspective view of a portable terminal showing my new design;  
FIG. 2 is a rear perspective view thereof;  
FIG. 3 is a front view thereof;  
FIG. 4 is a rear view thereof;  
FIG. 5 is a top plan view thereof;  
FIG. 6 is a bottom view thereof;  
FIG. 7 is a right side view thereof; and,  
FIG. 8 is a left side view thereof.

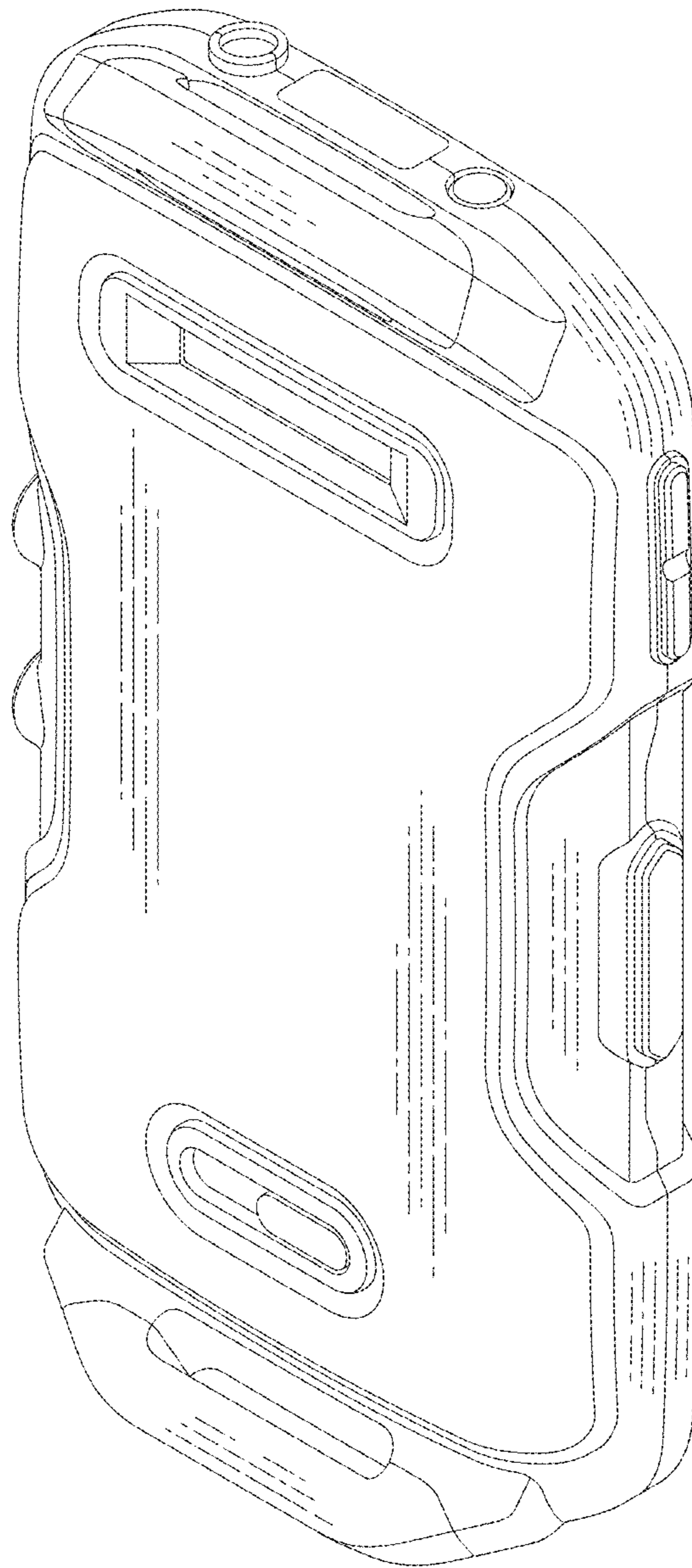
**1 Claim, 8 Drawing Sheets**



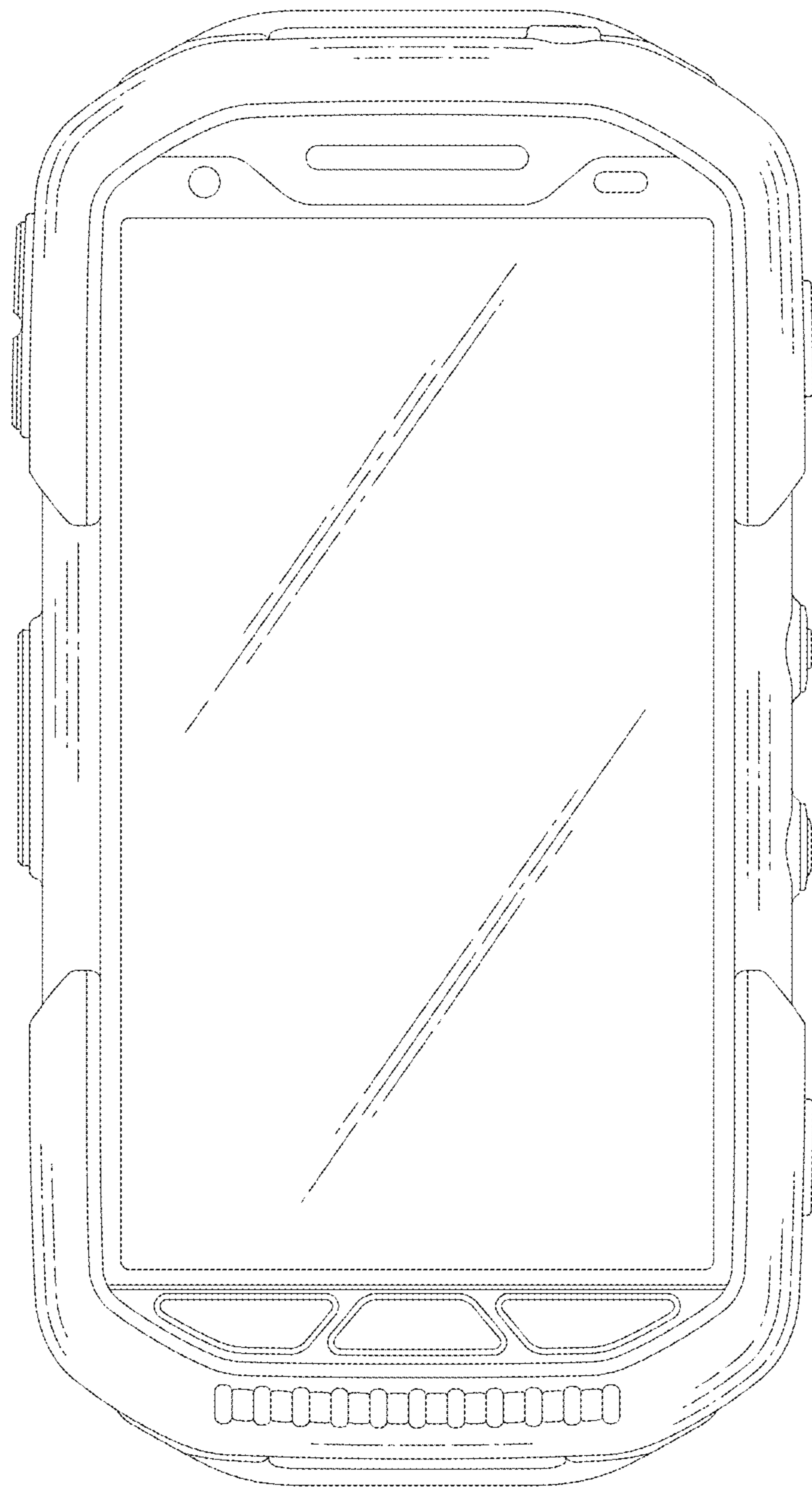
*FIG. 1*



*FIG. 2*

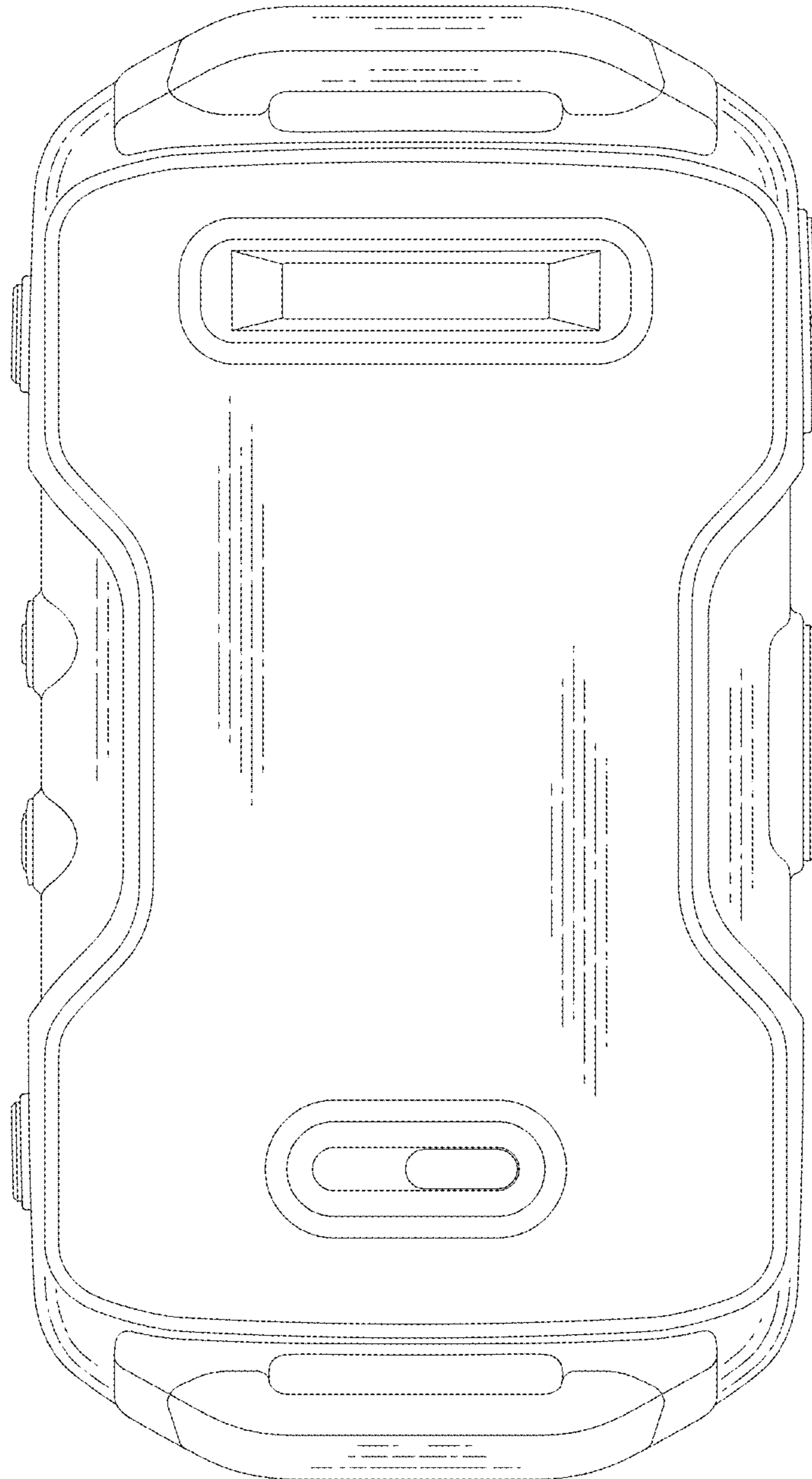


*FIG. 3*

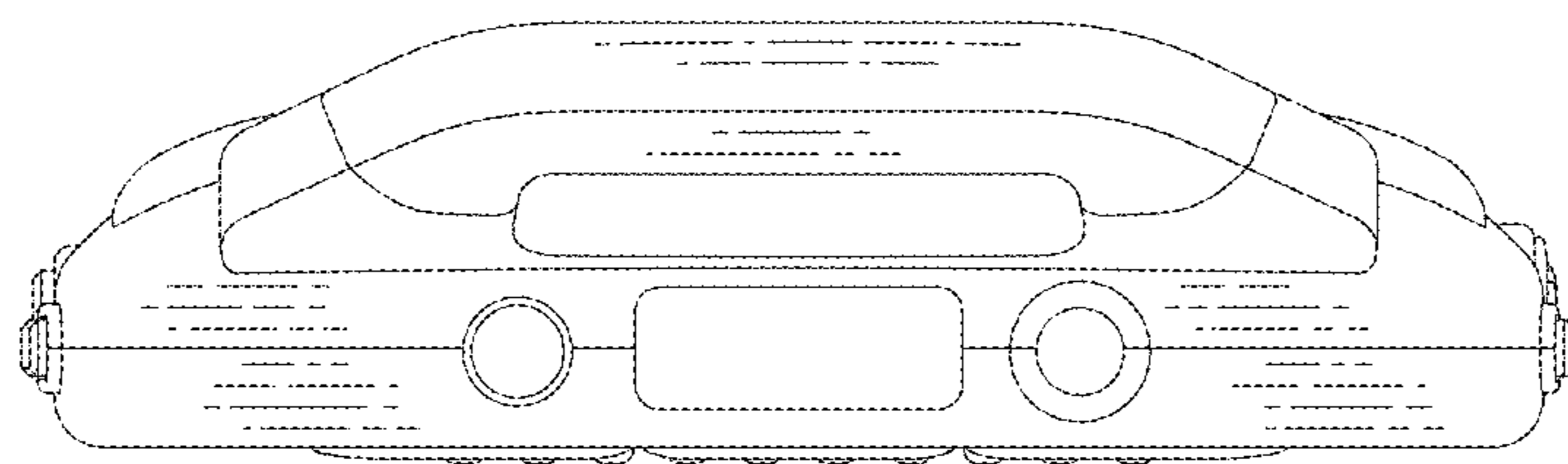




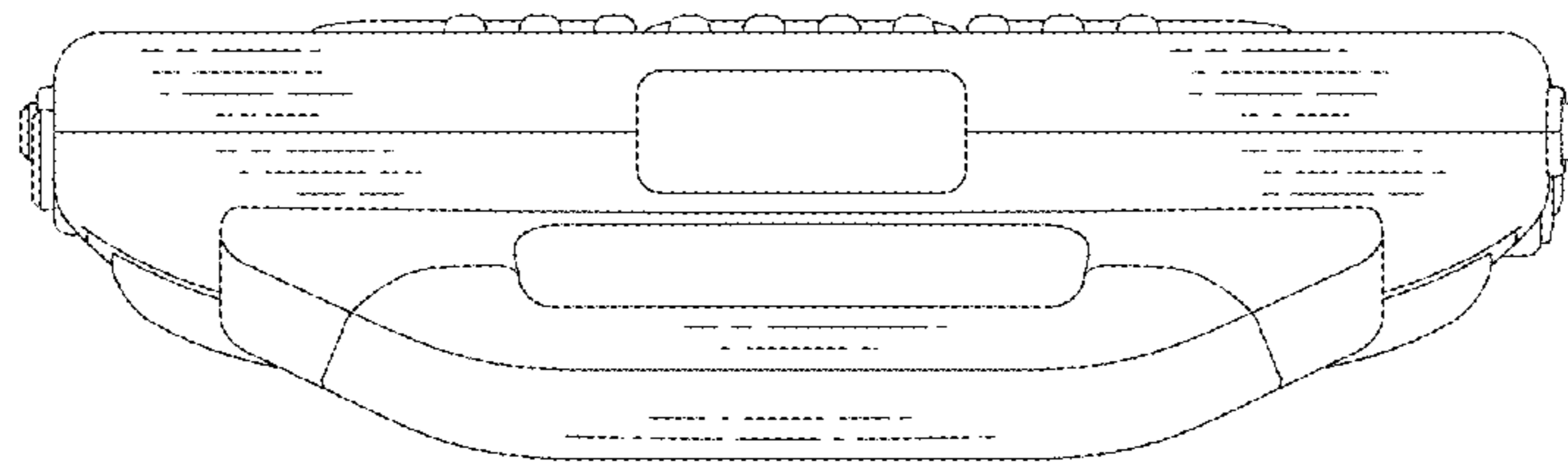
*FIG. 4*



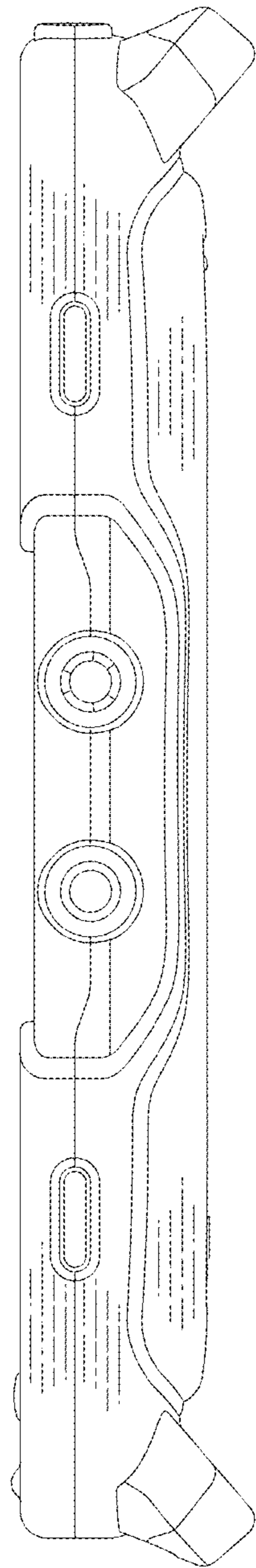
*FIG. 5*



*FIG. 6*



*FIG. 7*





*FIG. 8*

