



US00D775098S

(12) **United States Design Patent**
Nishikawa

(10) **Patent No.:** **US D775,098 S**

(45) **Date of Patent:** **** Dec. 27, 2016**

(54) **PORTABLE TERMINAL**

(71) Applicant: **KYOCERA Corporation**, Kyoto-shi,
Kyoto (JP)

(72) Inventor: **Tadamichi Nishikawa**, Osaka (JP)

(73) Assignee: **KYOCERA Corporation**, Kyoto-shi,
Kyoto (JP)

(**) Term: **14 Years**

(21) Appl. No.: **29/520,331**

(22) Filed: **Mar. 13, 2015**

(30) **Foreign Application Priority Data**

Feb. 18, 2015 (JP) 2015-003246

(51) **LOC (10) Cl.** **14-03**

(52) **U.S. Cl.**
USPC **D14/138 G**

(58) **Field of Classification Search**

USPC D14/138 R, 138 AA, 138 AB, 138 AC,
D14/138 AD, 138 G, 248, 341-347

CPC H04M 1/0202; H04M 1/0235; H04M 1/0237;
H04M 1/0239; H04M 2250/52

See application file for complete search history.

(56) **References Cited**

U.S. PATENT DOCUMENTS

D626,109 S * 10/2010 Kim D14/138 AD
D675,205 S * 1/2013 Hofer D14/138 G
D678,232 S * 3/2013 Harmon D14/138 G
D682,245 S * 5/2013 Harmon D14/138 G

D687,006 S * 7/2013 Harmon D14/138 AA
D703,661 S * 4/2014 Krause D14/341
D715,245 S * 10/2014 Meneses D14/138 G
D721,051 S * 1/2015 Lee D14/138 G
D723,500 S * 3/2015 Takahashi D14/138 G
D731,477 S * 6/2015 Lee D14/138 G
D731,479 S * 6/2015 Lee D14/138 G

OTHER PUBLICATIONS

fmworld.net, Retrieved on Mar. 12, 2015, from URL: <http://www.fmworld.net/product/phone/isw13f/info.html>.

gsmarena.com, Retrieved on Mar. 12, 2015, from URL: http://www.gsmarena.com/nokia_7500_prism-2017.php.

* cited by examiner

Primary Examiner — Deanna L Pratt

(74) *Attorney, Agent, or Firm* — Kenja IP Law PC

(57) **CLAIM**

The ornamental design for a portable terminal, as shown and described.

DESCRIPTION

FIG. 1 is a front perspective view of a portable terminal showing my new design;
FIG. 2 is a rear perspective view thereof;
FIG. 3 is a front view thereof;
FIG. 4 is a rear view thereof;
FIG. 5 is a top plan view thereof;
FIG. 6 is a bottom view thereof;
FIG. 7 is a right side view thereof; and,
FIG. 8 is a left side view thereof.

1 Claim, 8 Drawing Sheets

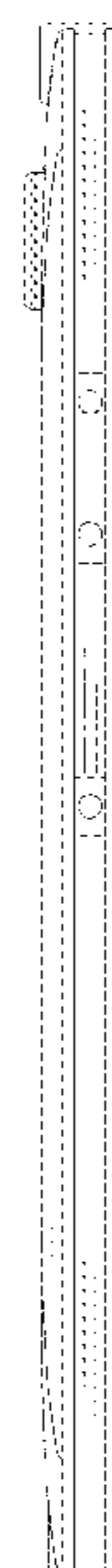
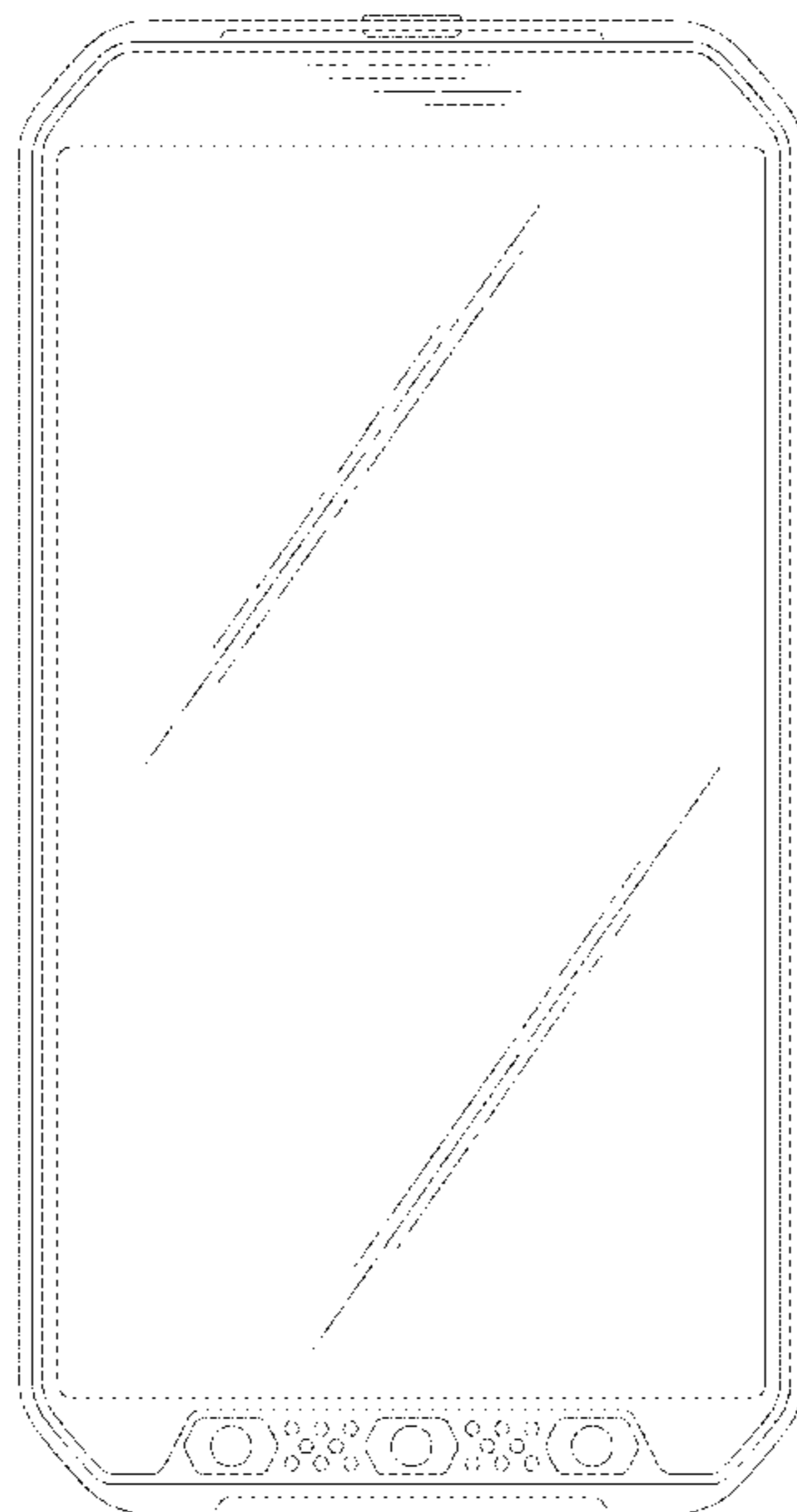


FIG. 1

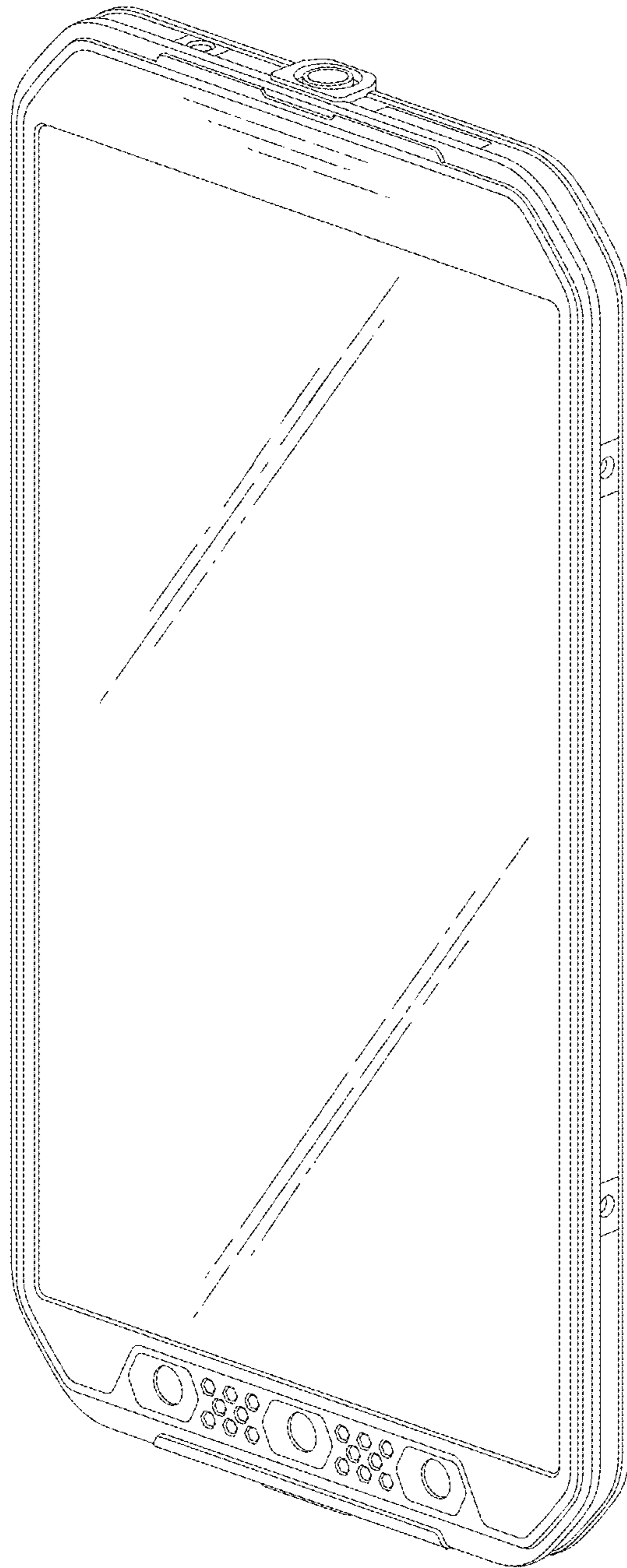


FIG. 2

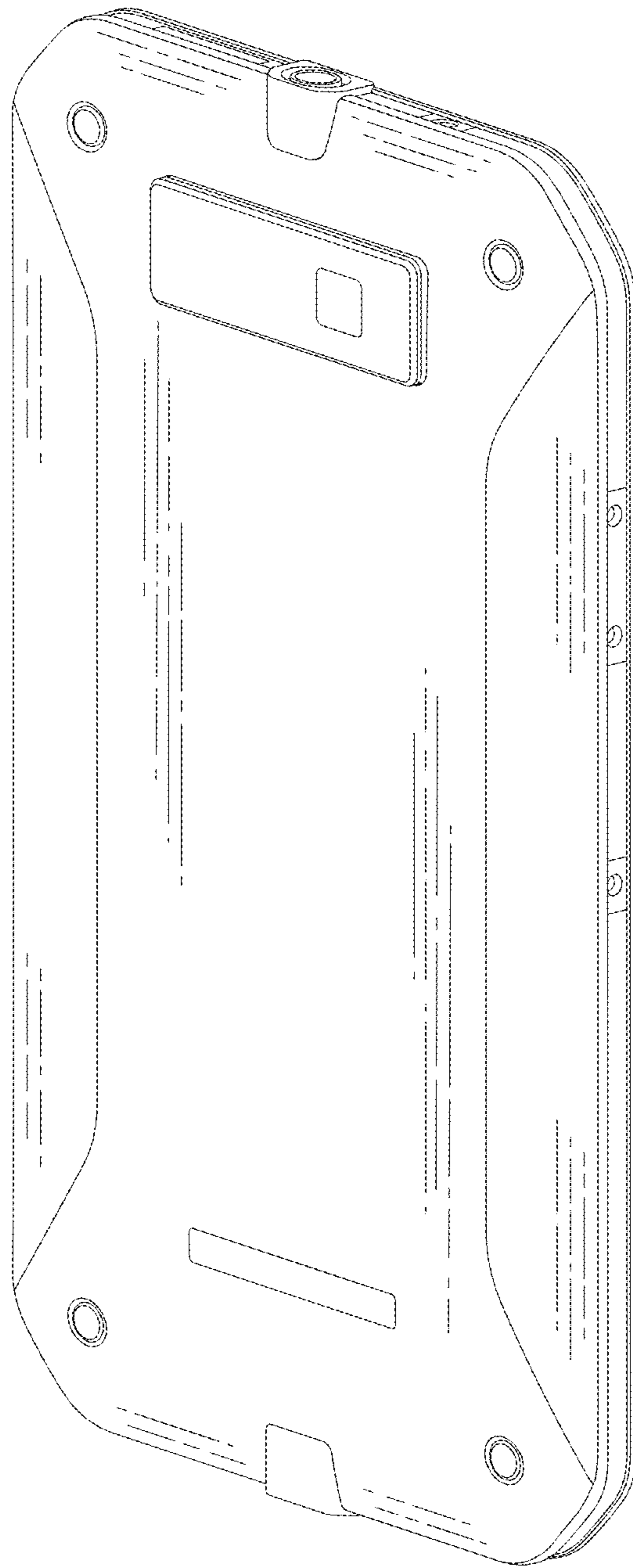


FIG. 3

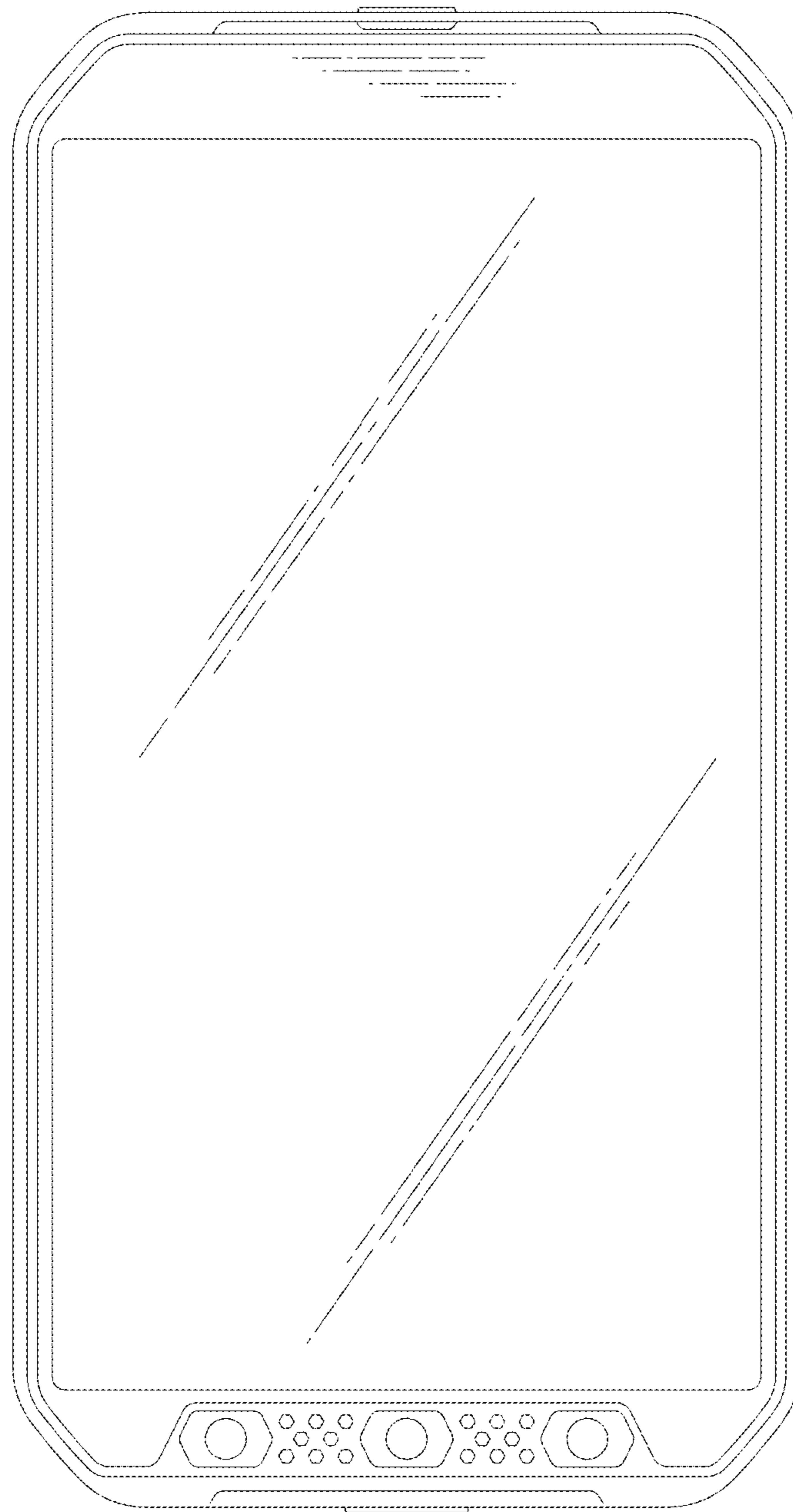


FIG. 4



FIG. 5

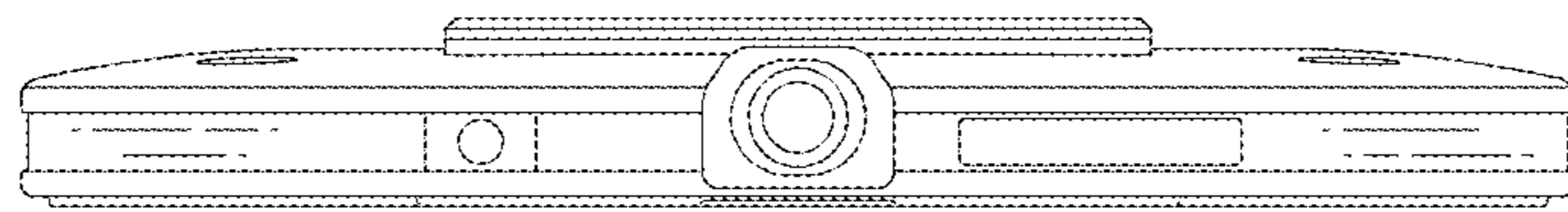


FIG. 6

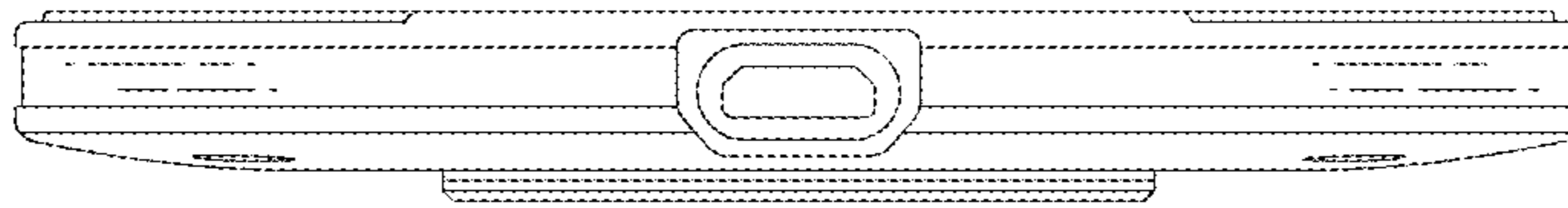


FIG. 7

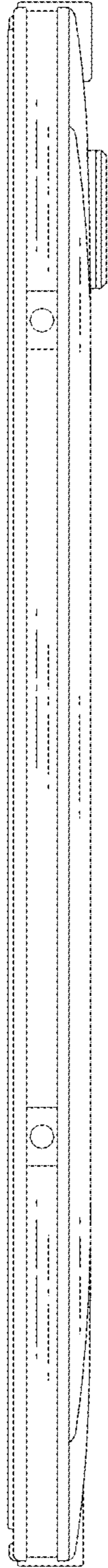


FIG. 8

