



US00D775092S

(12) **United States Design Patent** (10) **Patent No.:** **US D775,092 S**
Vinciarelli et al. (45) **Date of Patent:** **** Dec. 27, 2016**

- (54) **ELECTRIC TERMINAL**
- (71) Applicant: **VLT, Inc.**, Sunnyvale, CA (US)
- (72) Inventors: **Patrizio Vinciarelli**, Boston, MA (US);
Michael B. LaFleur, East Hampstead, NH (US)
- (73) Assignee: **VLT, INC.**, Sunnyvale, CA (US)
- (**) Term: **15 Years**
- (21) Appl. No.: **29/556,618**
- (22) Filed: **Mar. 2, 2016**

5,742,005 A * 4/1998 Saka B60R 16/0238
174/541
5,757,082 A 5/1998 Shibata
5,994,772 A 11/1999 Shin
6,078,505 A 6/2000 Turudic
(Continued)

OTHER PUBLICATIONS

Mitsubishi Electric Corporation, Release No. 2647, Mitsubishi Electric Launches 1200V/50A Large-Type Dual In-Line Package Intelligent Power Module, Jan. 26, 2012, 2 pages.
(Continued)

Primary Examiner — Elizabeth J Oswecki
(74) *Attorney, Agent, or Firm* — Foley & Lardner LLP

Related U.S. Application Data

- (62) Division of application No. 29/470,060, filed on Oct. 17, 2013, now Pat. No. Des. 754,083.
- (51) **LOC (10) Cl.** **13-03**
- (52) **U.S. Cl.**
USPC **D13/182**
- (58) **Field of Classification Search**
USPC ... D13/182; 257/678, 690; 361/679.31, 719,
361/720, 752, 777, 820
CPC H01L 21/00; H01L 21/02; H01L 23/3675;
H01L 23/3677; H01L 23/48; H01L
23/481; H01L 23/50; H01L
23/482; H01L 23/52; H01L
23/498; H01L 23/49805; H01L 23/49811;
H05K 7/1422; H05K 7/1424; H05K
7/1427; H05K 7/1428
See application file for complete search history.

(57) **CLAIM**

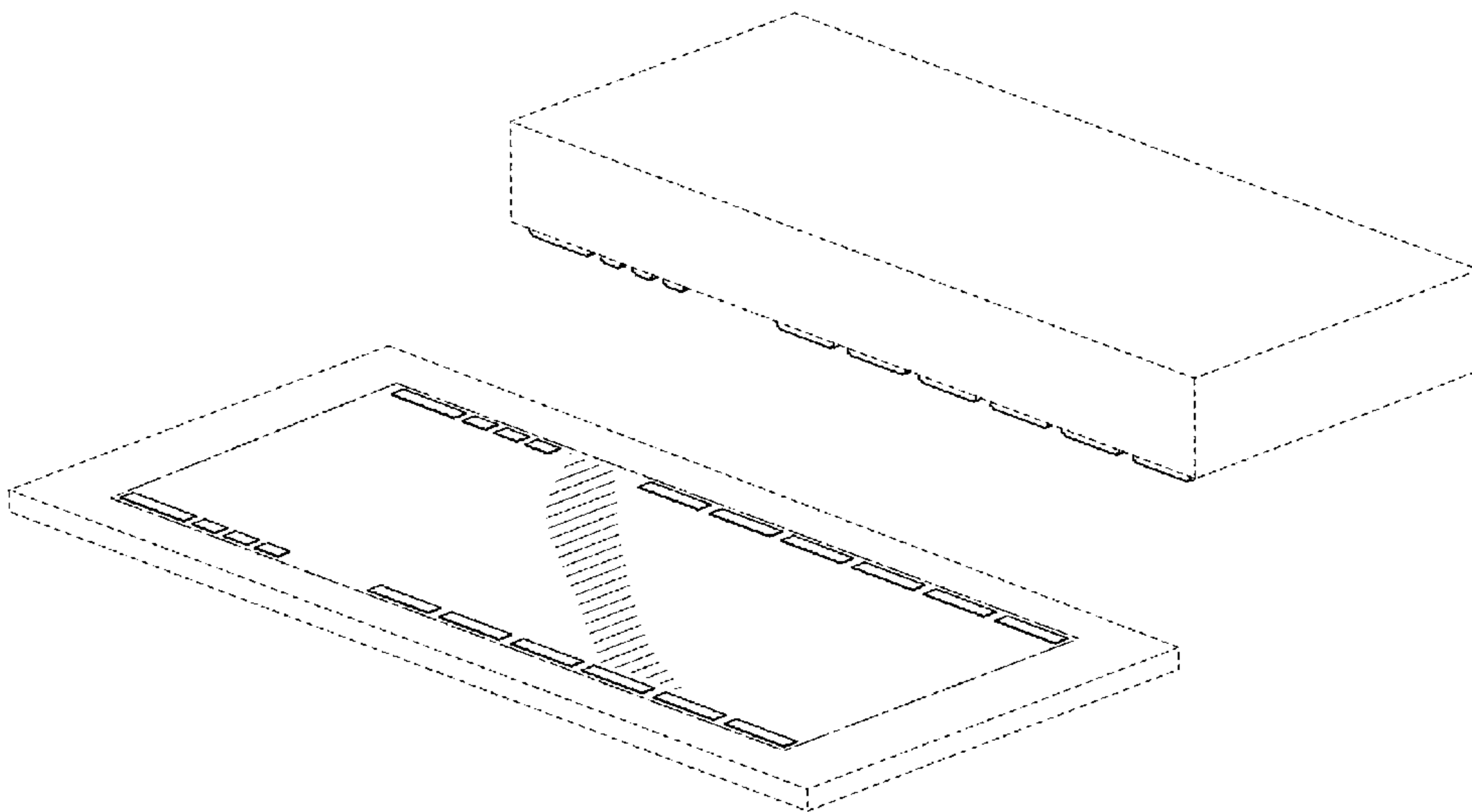
The ornamental design for an electric terminal, as shown and described.

DESCRIPTION

FIG. 1 is a top, front, right perspective view of an electric terminal showing our new design;
FIG. 2 is a front elevation view thereof;
FIG. 3 is a rear elevation view thereof;
FIG. 4 is a right side elevation view thereof;
FIG. 5 is a left side elevation view thereof;
FIG. 6 is a top plan view thereof; and,
FIG. 7 is a bottom plan view thereof.
The dashed-dot-dashed lines represent the boundary line of the claimed design. The even dashed broken lines shown in the drawings represent portions of the electric terminal that form no part of the claimed design.
The designs of FIGS. 1-7 show spaced apart male and female terminal portions to facilitate viewing of the claimed portions of the design. No particular spatial relationship of the male terminal portion relative to the female terminal portion is being claimed.

- (56) **References Cited**
U.S. PATENT DOCUMENTS
3,579,046 A 5/1971 Jordan
4,338,621 A 7/1982 Braun
4,698,663 A 10/1987 Sugimoto et al.
D317,300 S 6/1991 Hasegawa et al.
5,066,999 A 11/1991 Casper

1 Claim, 5 Drawing Sheets



(56)

References Cited

U.S. PATENT DOCUMENTS

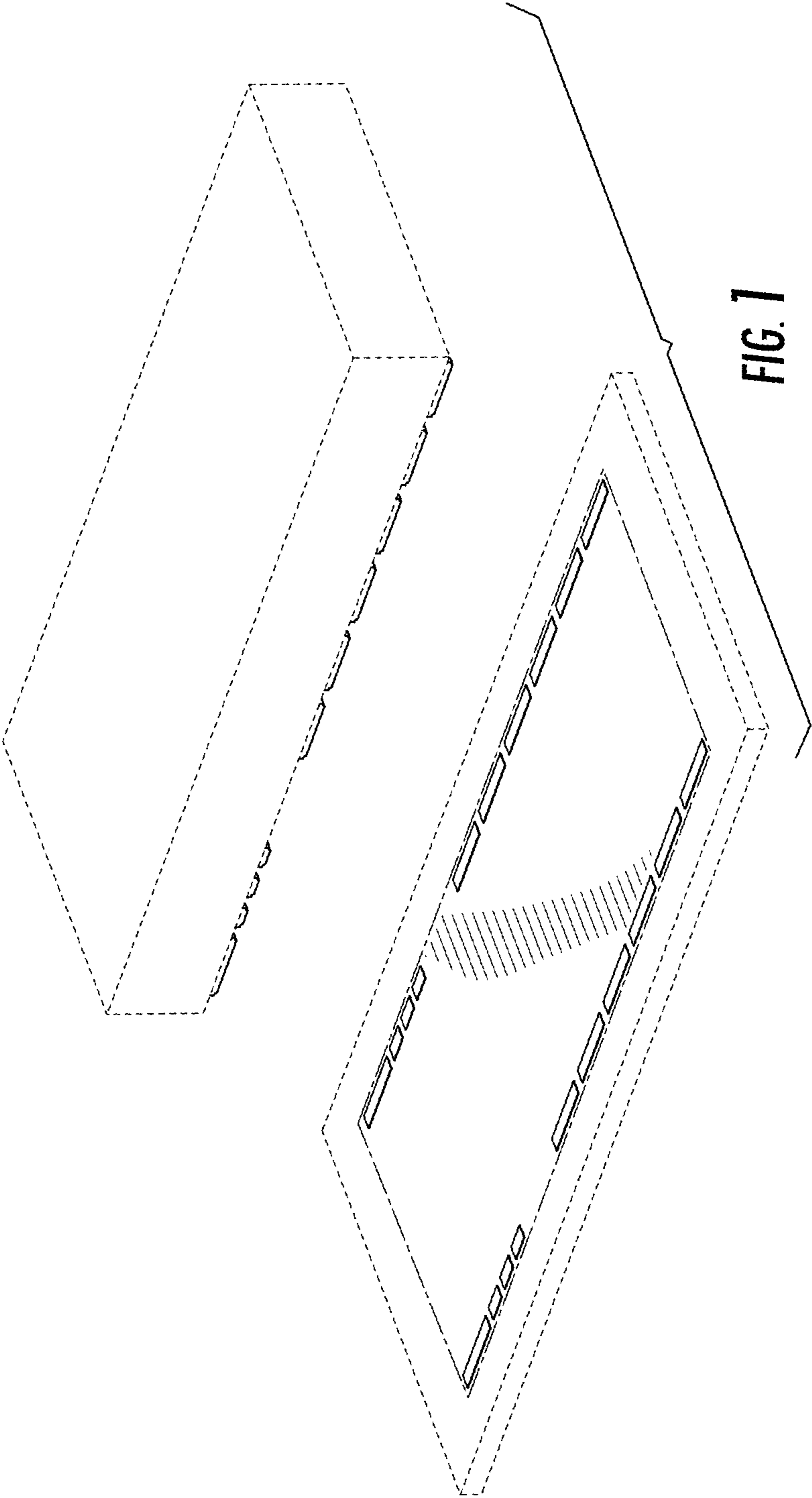
6,348,742 B1 2/2002 MacPherson
 D466,093 S 11/2002 Ebihara et al.
 6,476,505 B2 11/2002 Nakamura
 6,483,038 B2 11/2002 Lee et al.
 D471,167 S 3/2003 Ebihara et al.
 6,537,850 B1* 3/2003 Corisis H01L 23/49838
 257/E21.508
 D485,536 S 1/2004 Dang et al.
 6,753,482 B1* 6/2004 Schoenfeld H01L 23/3128
 174/255
 D540,272 S 4/2007 Higashibata
 D547,371 S 7/2007 Miller
 D601,520 S 10/2009 Yokota et al.
 D612,347 S 3/2010 Yokota et al.
 7,709,292 B2* 5/2010 Sadwick H01L 21/6835
 257/723
 D633,054 S 2/2011 Fujihara et al.
 D633,450 S 3/2011 Fujihara et al.
 D638,809 S 5/2011 Morikawa et al.
 D638,810 S 5/2011 Morikawa et al.
 D684,547 S 6/2013 Kawachi et al.
 D690,277 S 9/2013 Matsuhisa et al.
 D690,672 S 10/2013 Yoshida et al.
 D694,200 S 11/2013 Matsuhisa et al.
 D699,201 S 2/2014 Petsch
 D708,594 S 7/2014 Kirihara et al.

D708,595 S 7/2014 Kirihara et al.
 D730,304 S 5/2015 Matsumoto et al.
 D736,213 S 8/2015 Kang et al.
 D736,216 S 8/2015 Kang et al.
 D754,083 S* 4/2016 Vinciarelli D13/182
 2006/0097374 A1 5/2006 Egawa
 2009/0004776 A1* 1/2009 Ye B82Y 10/00
 438/108
 2014/0070381 A1* 3/2014 Doi H01L 23/3107
 257/666
 2014/0099805 A1* 4/2014 Kutchery H04B 1/3816
 439/76.1
 2014/0106621 A1* 4/2014 Wu G06K 19/07739
 439/630

OTHER PUBLICATIONS

Protek Devices, Package Outline, 16 Pin Drip Package, 2000, 2 pages.
 US Notice of Allowance for U.S. Appl. No. 29/470,060, mailed Dec. 4, 2015, 13 pages.
 US Office Action for U.S. Appl. No. 29/470,060, mailed Sep. 17, 2015, 10 pages.
 US Notice of Allowance on U.S. Appl. No. 29/556,619 DTD Aug. 26, 2016.
 US Office Action on U.S. Appl. No. 29/556,621 DTD Aug. 12, 2016.

* cited by examiner



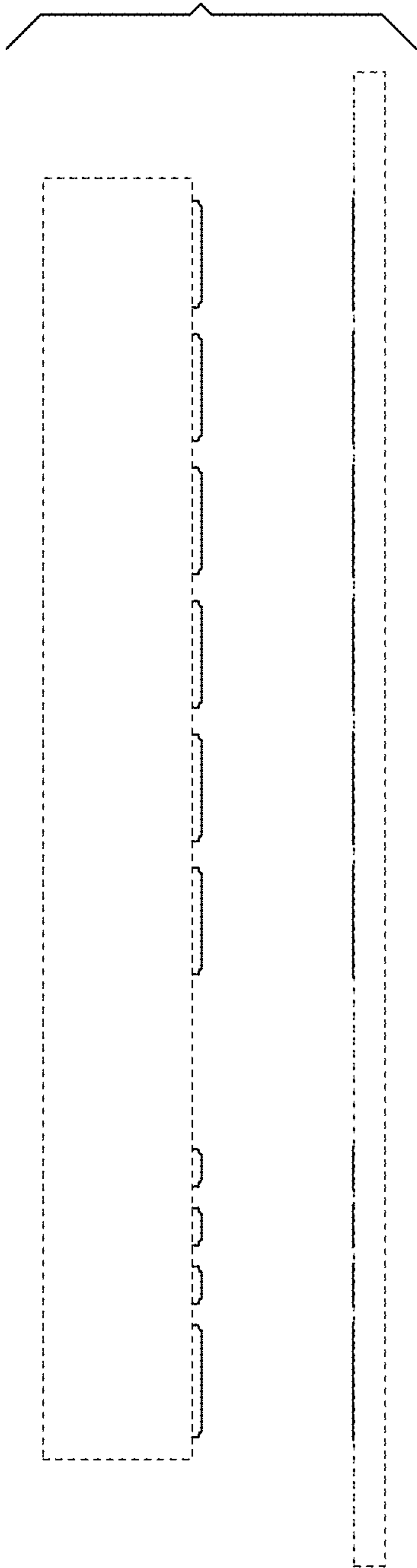


FIG. 2

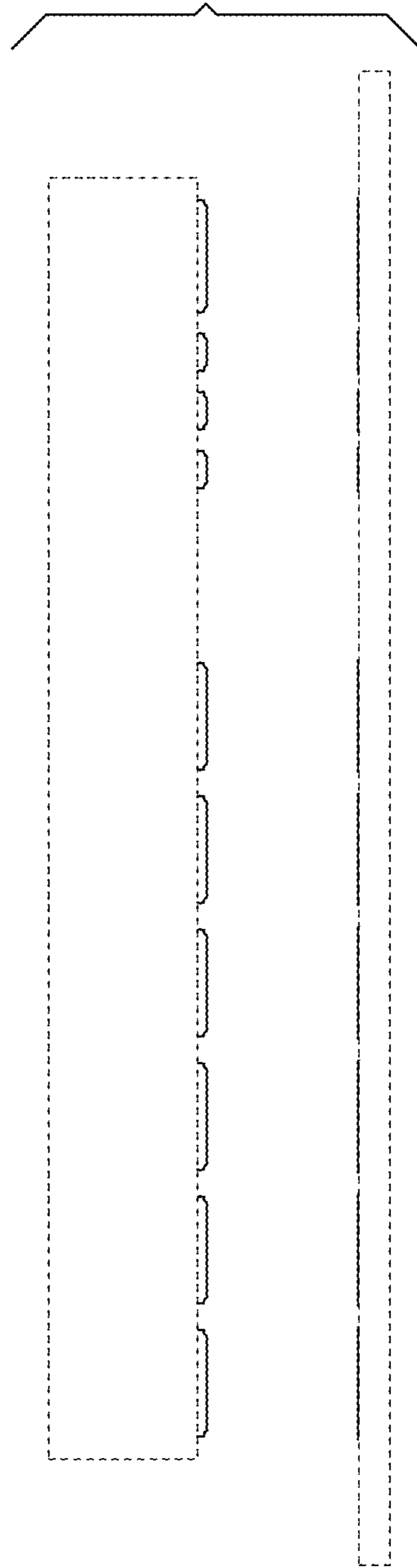


FIG. 3



FIG. 4

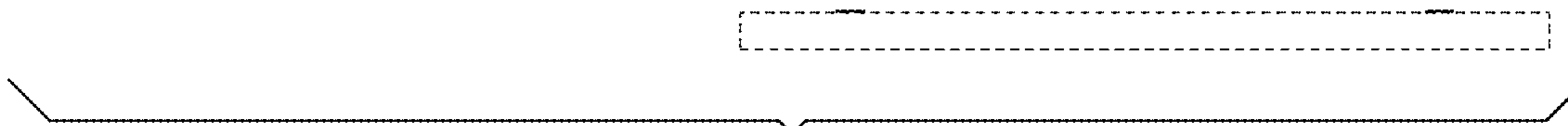


FIG. 5

FIG. 6

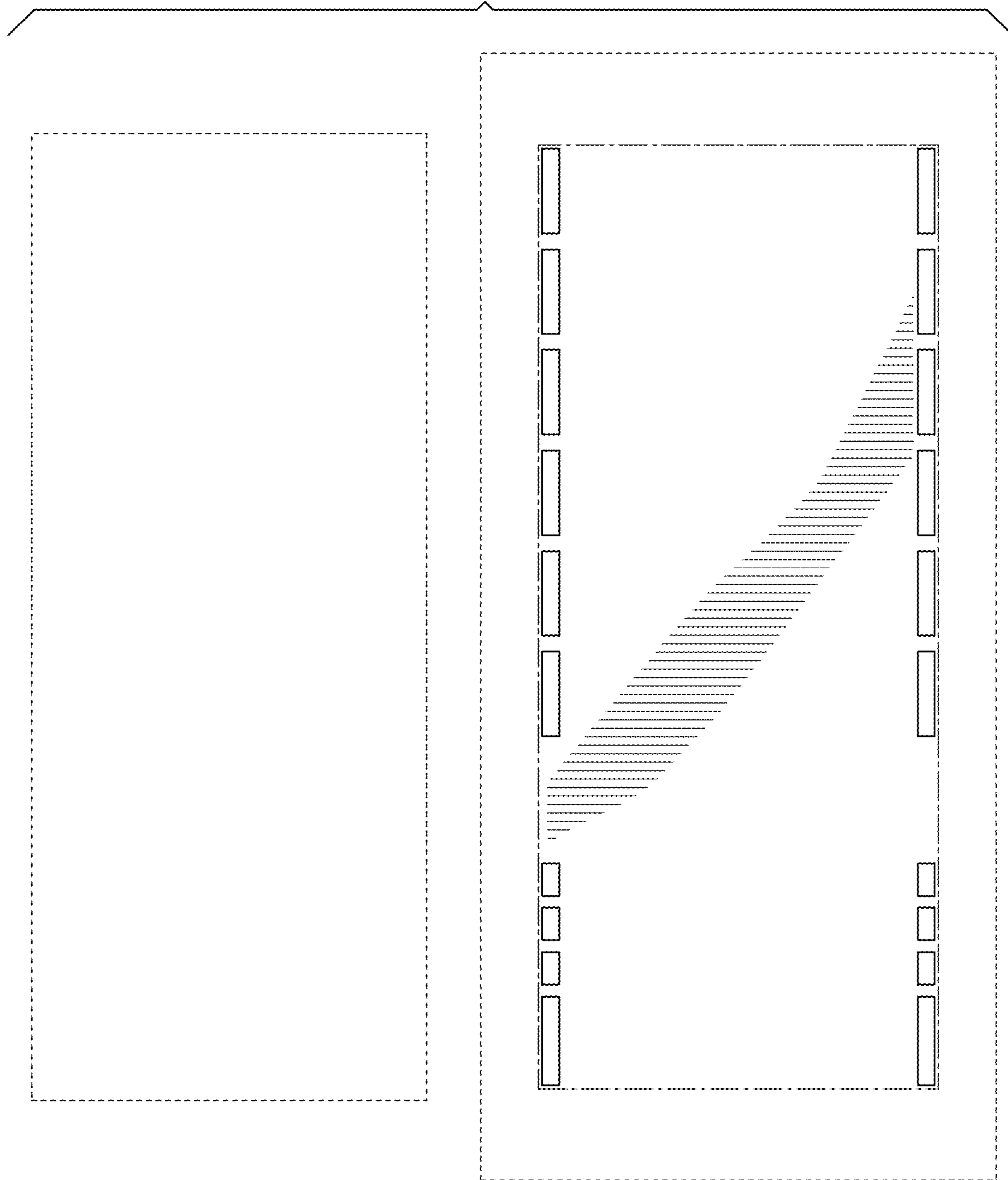


FIG. 7

